



US00D465284S

(12) **United States Design Patent**  
**Brown**

(10) **Patent No.:** **US D465,284 S**

(45) **Date of Patent:** **\*\* Nov. 5, 2002**

(54) **HOLLOW MOLDED INTERLOCKING PERSONNEL PROTECTOR, SAND OVER CULVERT FORM**

*Primary Examiner—Doris Clark*

(76) **Inventor:** **James C. Brown**, 2121 Skyhawk Dr., Fort Wayne, IN (US) 46815

(57) **CLAIM**

The ornamental design for a hollow molded interlocking personnel protector, sand over culvert form, as shown and described.

(\*\*) **Term:** **14 Years**

**DESCRIPTION**

(21) **Appl. No.:** **29/151,167**

FIG. 1 is a right/front isometric view of a hollow molded interlocking personnel protector, sand over culvert form showing my new design including a molded plastic body with three fill ports on the top for filling the form with sand, an outlet on each side to allow the sand to be removed;

(22) **Filed:** **Nov. 15, 2001**

(51) **LOC (7) Cl.** ..... **25-03**

FIG. 2 is a front view thereof;

(52) **U.S. Cl.** ..... **D25/1**

FIG. 3 is a rear view thereof;

(58) **Field of Search** ..... D25/1; 405/124, 405/125

FIG. 4 is a top view thereof;

FIG. 5 is a bottom view thereof;

(56) **References Cited**

**U.S. PATENT DOCUMENTS**

4,723,871 A \* 2/1988 Roscoe ..... 405/124  
D454,203 S \* 3/2002 Bellavance ..... D25/1

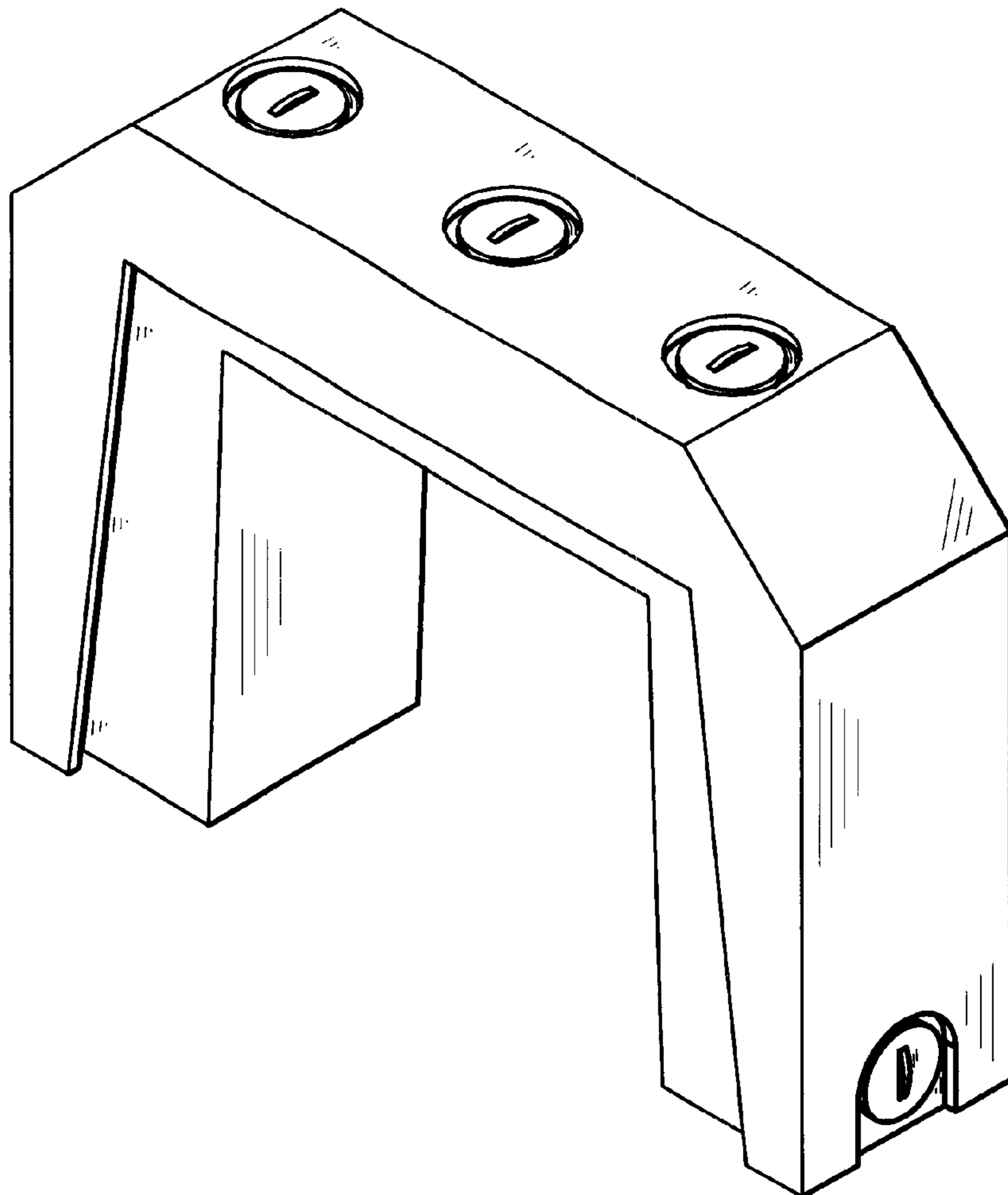
FIG. 6 is a left side view thereof;

FIG. 7 is a right side view thereof; and,

FIG. 8 is a left/front isometric view.

\* cited by examiner

**1 Claim, 3 Drawing Sheets**



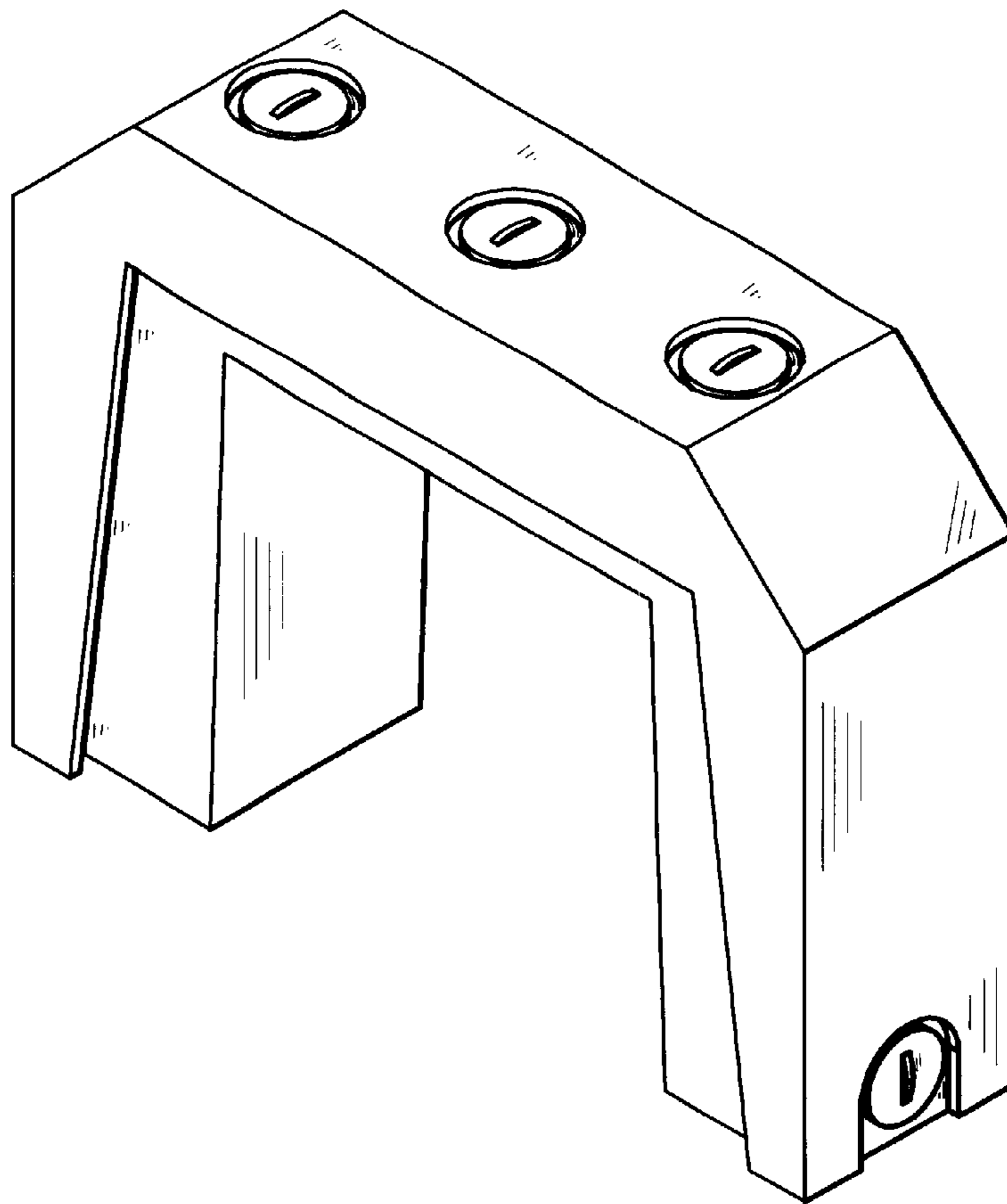


FIG. 1

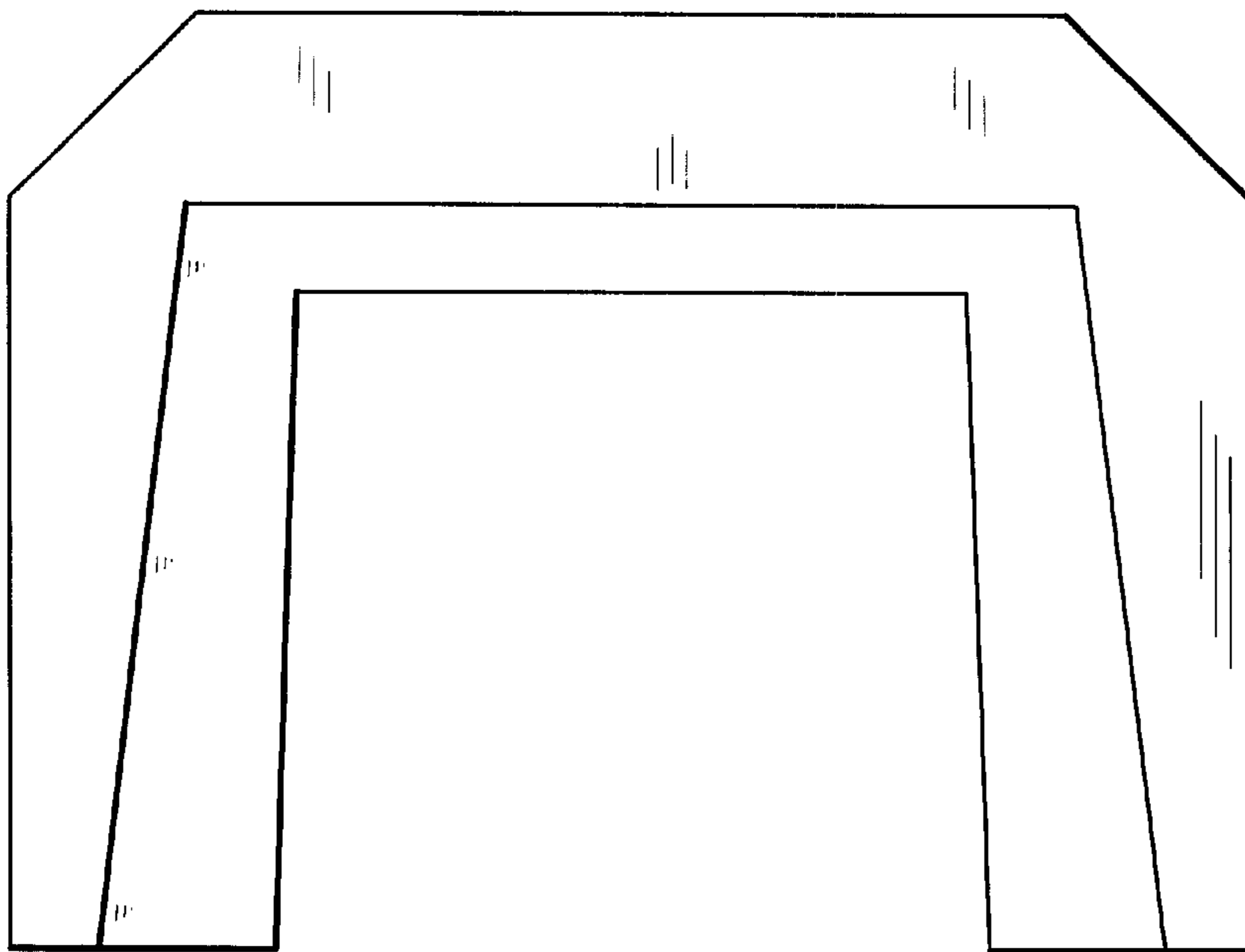


FIG. 2

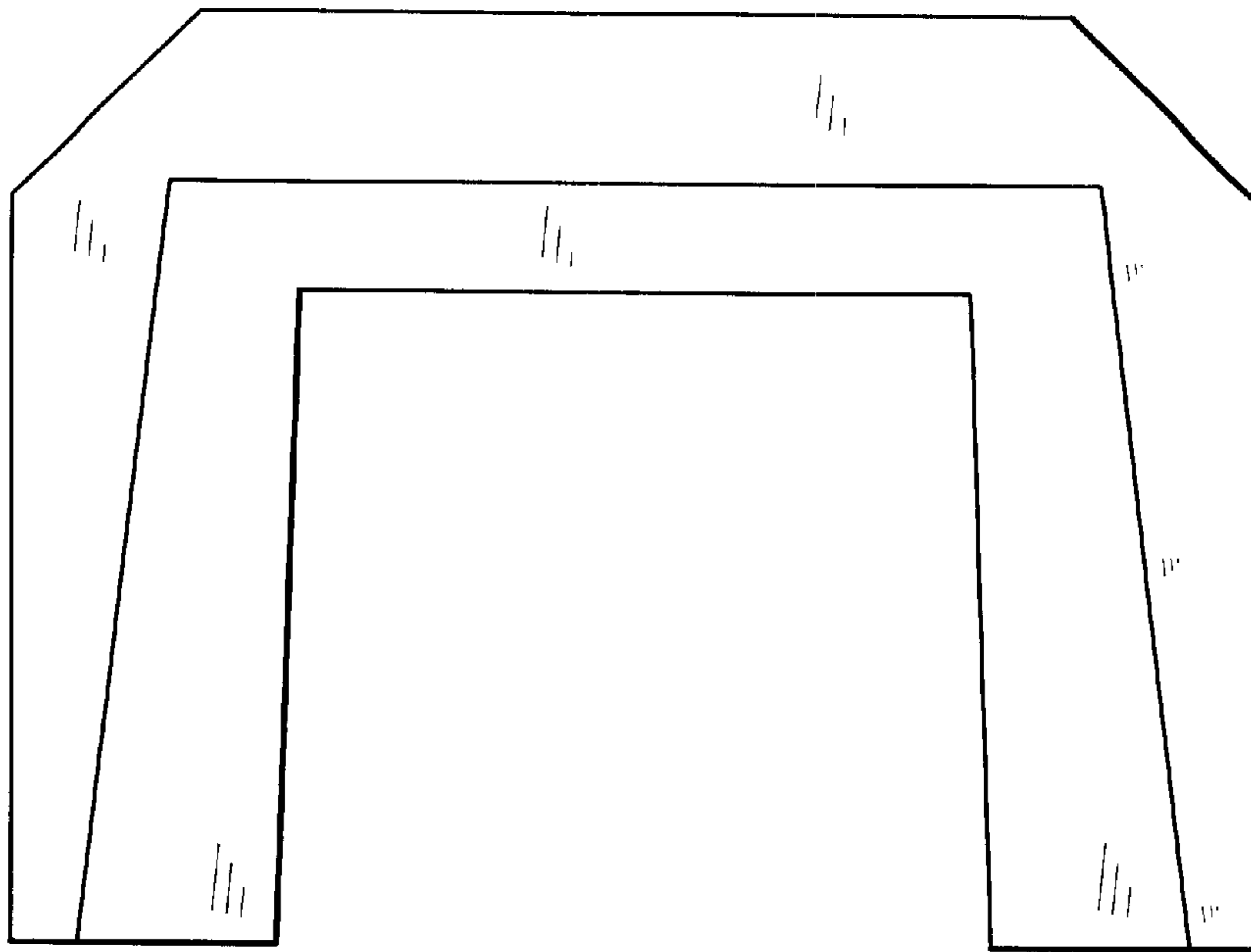


FIG. 3

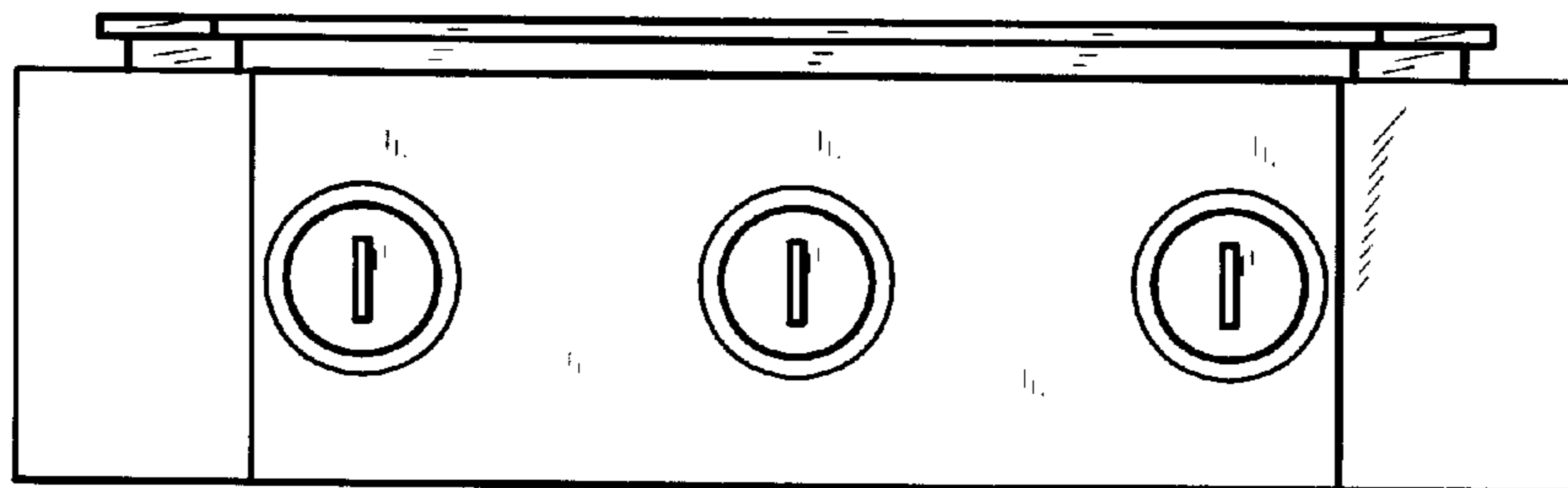


FIG. 4

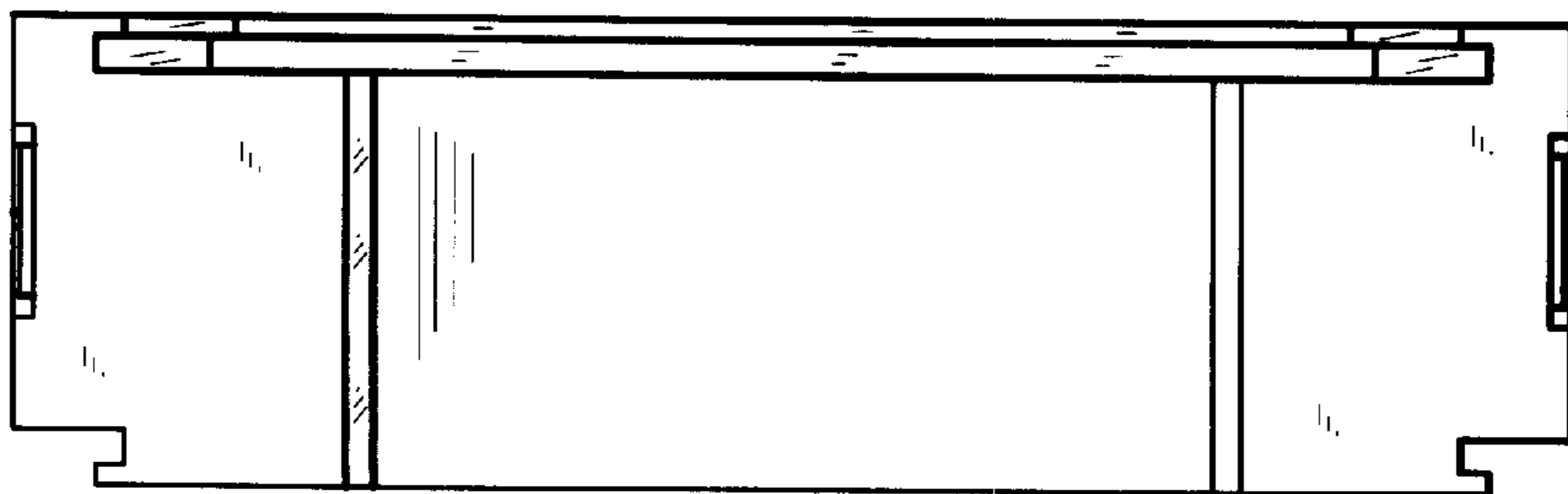


FIG. 5

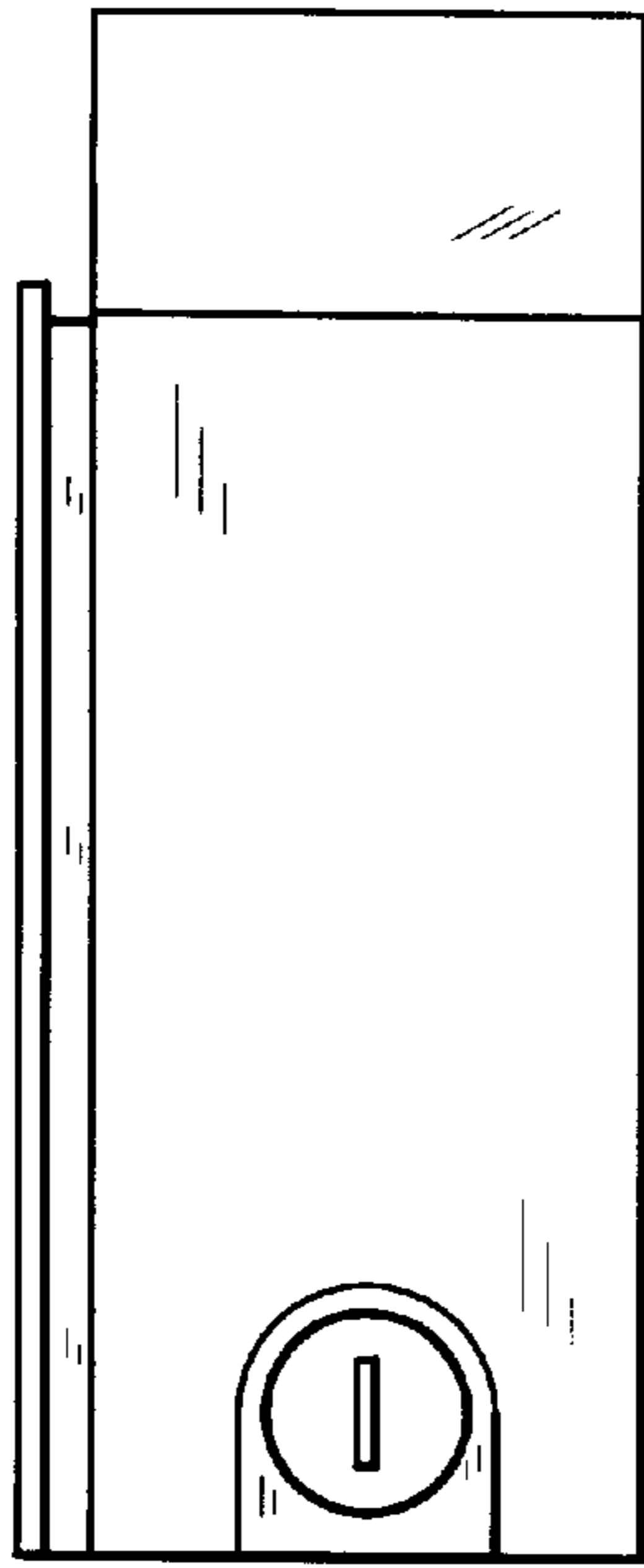


FIG. 6

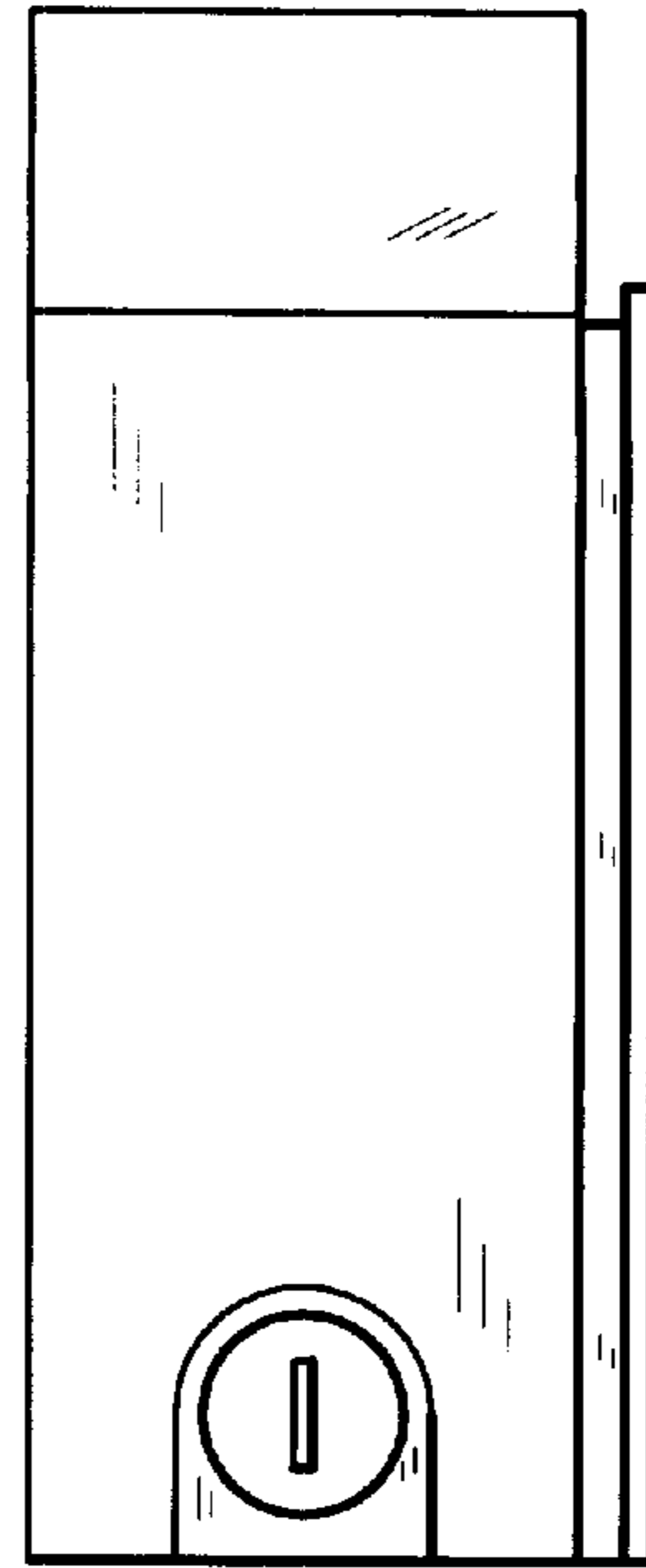


FIG. 7

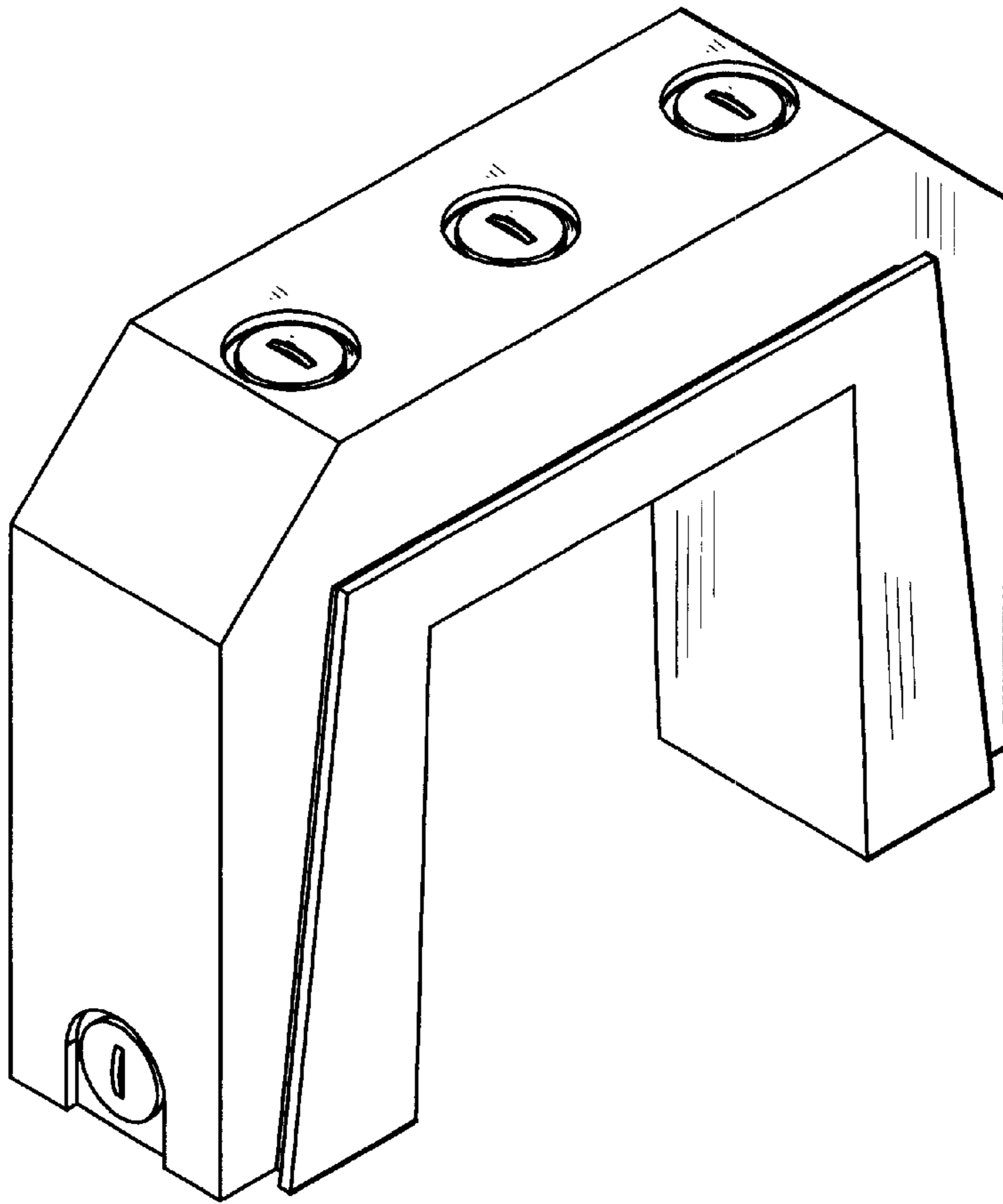


FIG. 8