



US00D465281S

(12) **United States Design Patent**
Lang

(10) **Patent No.:** **US D465,281 S**

(45) **Date of Patent:** **** Nov. 5, 2002**

(54) **ENDOSCOPIC MEDICAL INSTRUMENT**

(75) Inventor: **Dieter Lang**, Stockheim (DE)

(73) Assignee: **Karl Storz GmbH & Co. KG** (DE)

(**) Term: **14 Years**

(21) Appl. No.: **29/120,478**

(22) Filed: **Mar. 20, 2000**

(30) **Foreign Application Priority Data**

Sep. 21, 1999 (DE) 4 99 09 122

(51) **LOC (7) Cl.** **24-02**

(52) **U.S. Cl.** **D24/147; D24/133; D24/146**

(58) **Field of Search** **D24/146, 147;**
606/170, 208, 205

(56) **References Cited**

U.S. PATENT DOCUMENTS

5,133,735	A	*	7/1992	Slater et al.	606/205
D338,065	S	*	8/1993	Rose	D24/146
D345,212	S	*	3/1994	Brancel et al.	D24/143
D350,606	S	*	9/1994	Koros et al.	D24/143
D354,563	S	*	1/1995	Holmes et al.	D24/146
5,425,743	A	*	6/1995	Nicholas	606/208
D362,908	S	*	10/1995	Shutt et al.	D24/146
D370,064	S	*	5/1996	Livneh	D24/146

* cited by examiner

Primary Examiner—Ian Simmons

(74) *Attorney, Agent, or Firm*—St. Onge Steward Johnston & Reens LLC

(57) **CLAIM**

I claim the design for endoscopic medical instrument, substantially as shown and described.

DESCRIPTION

FIG. 1 is a side elevational view of an endoscopic medical instrument showing my new design;

FIG. 2 is a side elevational view thereof, opposite that shown in FIG. 1;

FIG. 3 is an upper perspective view thereof;

FIG. 4 is a lower perspective view thereof;

FIG. 5 is a perspective view thereof, taken from the front;

FIG. 6 is a perspective view thereof, taken from the rear;

FIG. 7 is a side elevational view of the shaft, with the handle portion removed;

FIG. 8 is a side elevational view thereof, opposite that shown in FIG. 7;

FIG. 9 is an upper perspective view thereof;

FIG. 10 is a lower perspective view thereof;

FIG. 11 is a perspective view thereof, taken from the front;

FIG. 12 is a perspective view thereof, taken from the rear;

FIG. 13 is a side elevational view of the shaft, with the closeable connecting branch, and handle portion removed;

FIG. 14 is a side elevational view thereof, opposite that shown in FIG. 13;

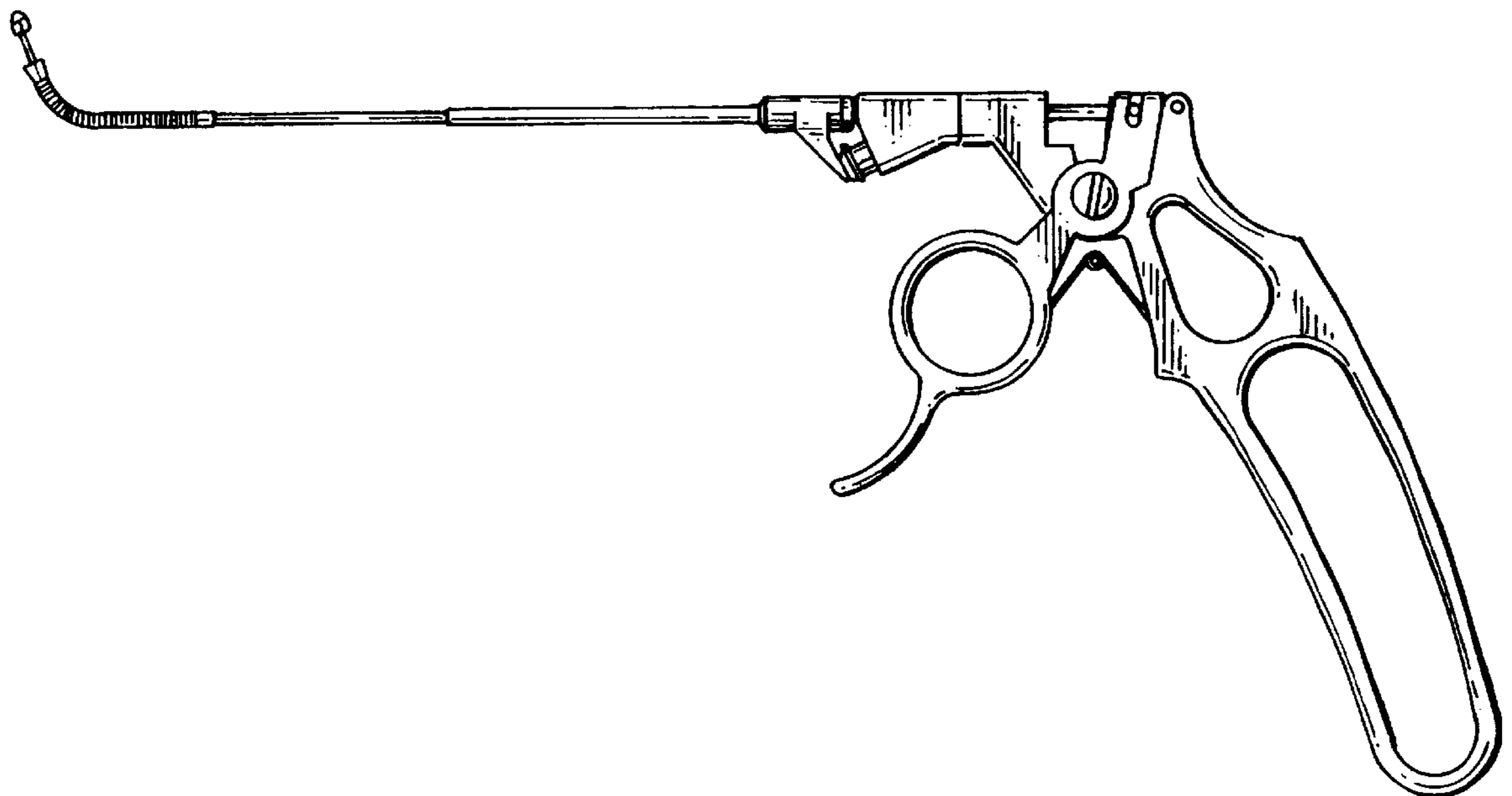
FIG. 15 is an upper perspective view thereof;

FIG. 16 is a lower perspective view thereof;

FIG. 17 is a perspective view thereof, taken from the front; and,

FIG. 18 is a perspective view thereof, taken from the rear.

1 Claim, 7 Drawing Sheets



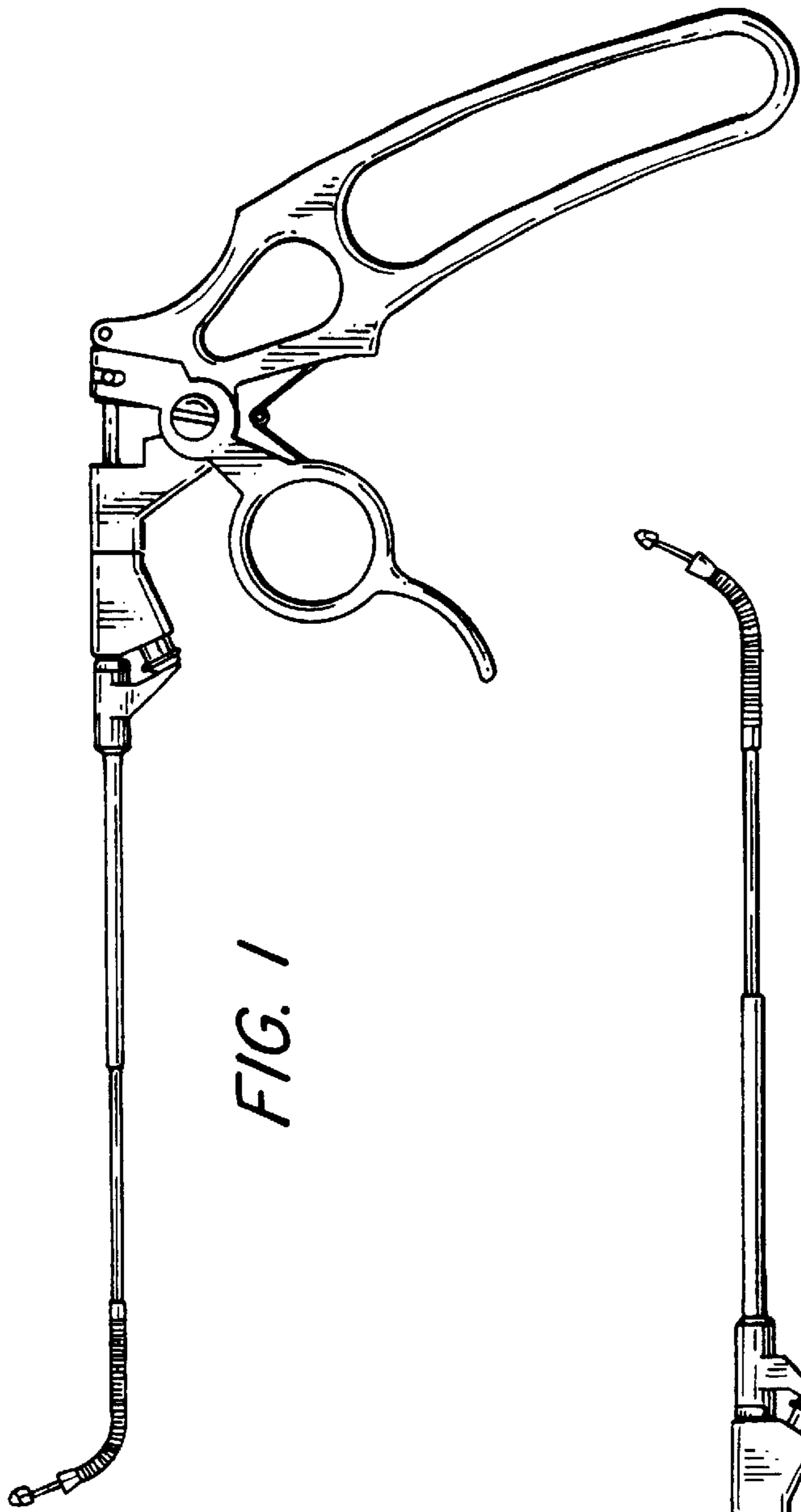


FIG. 1

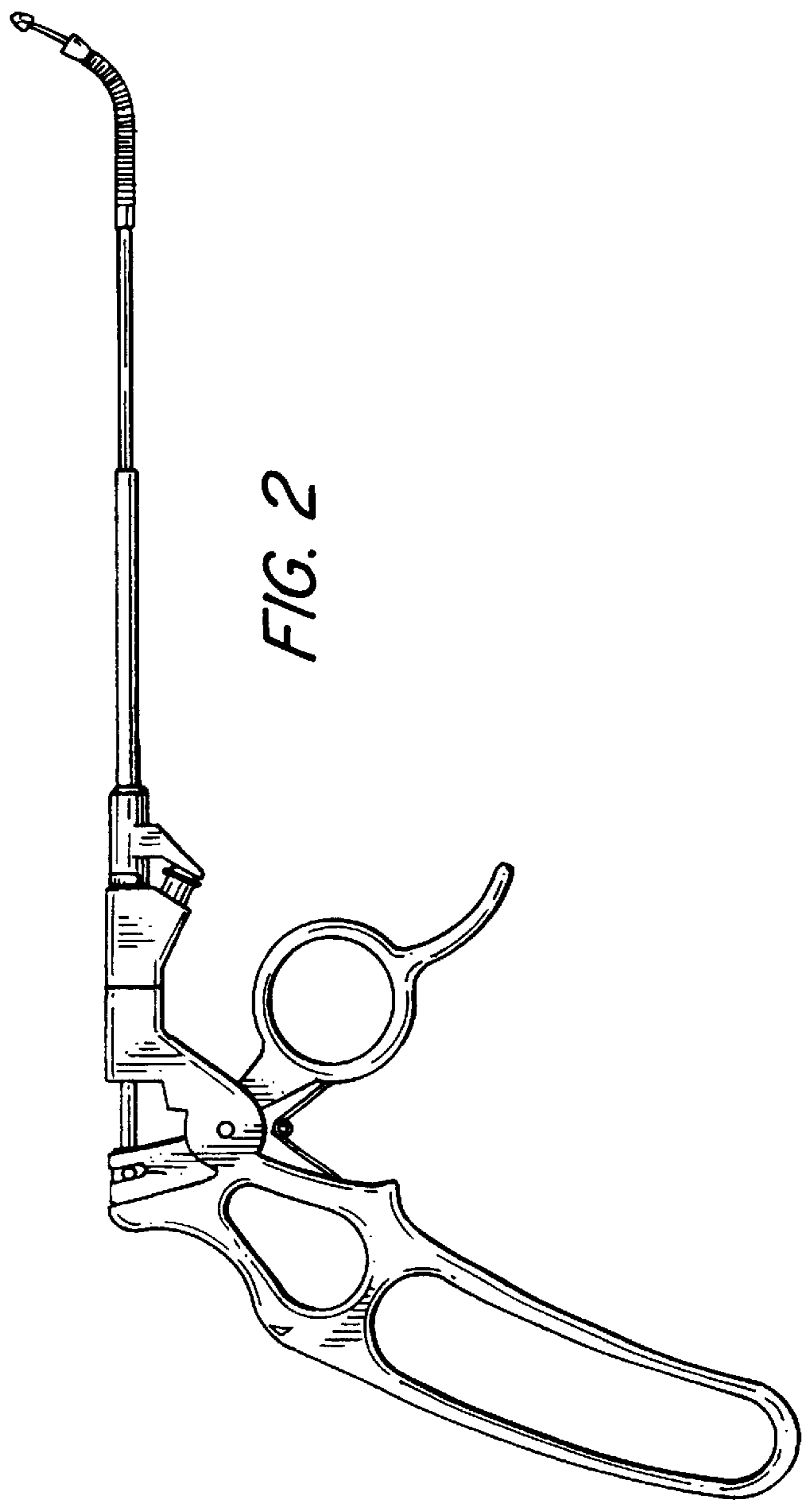


FIG. 2

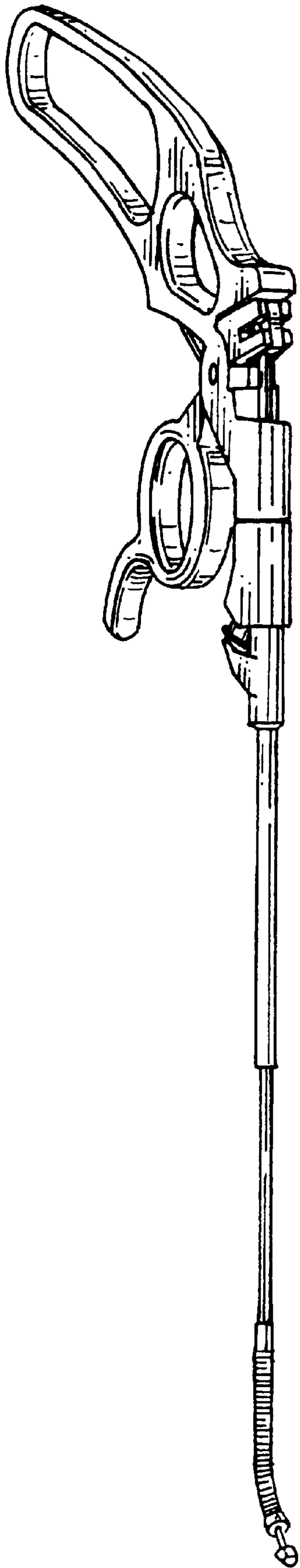


FIG. 3

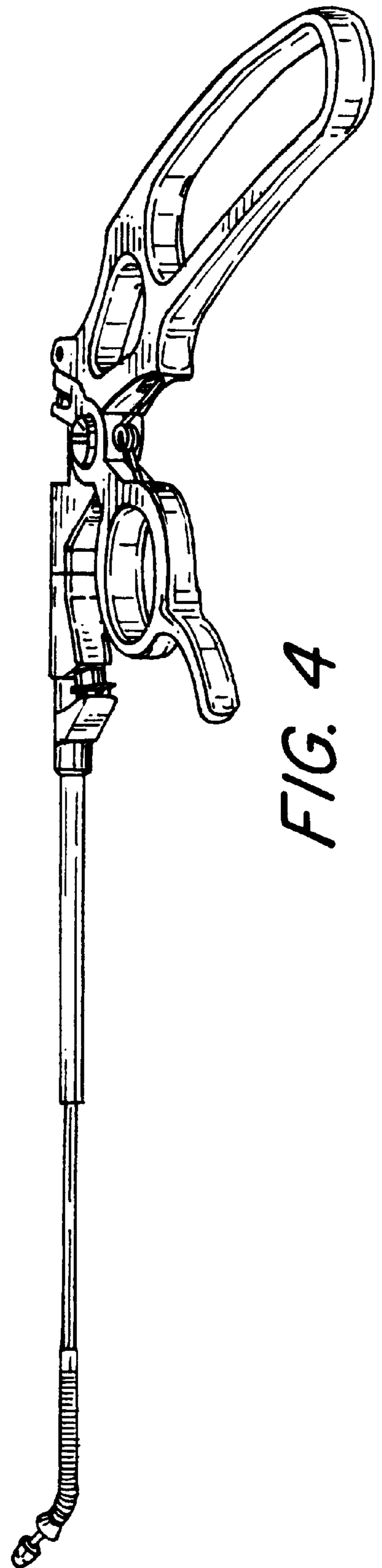


FIG. 4

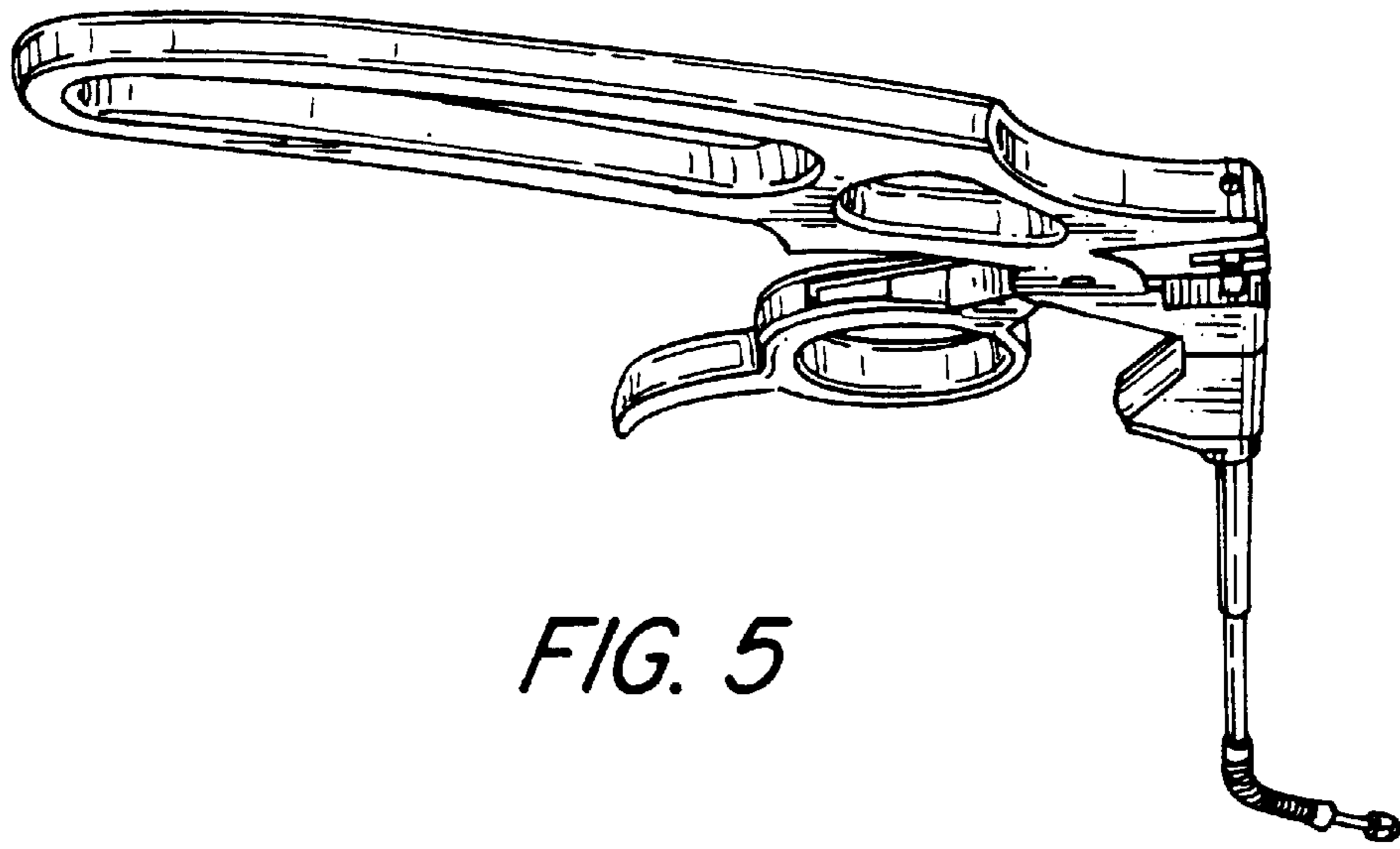


FIG. 5

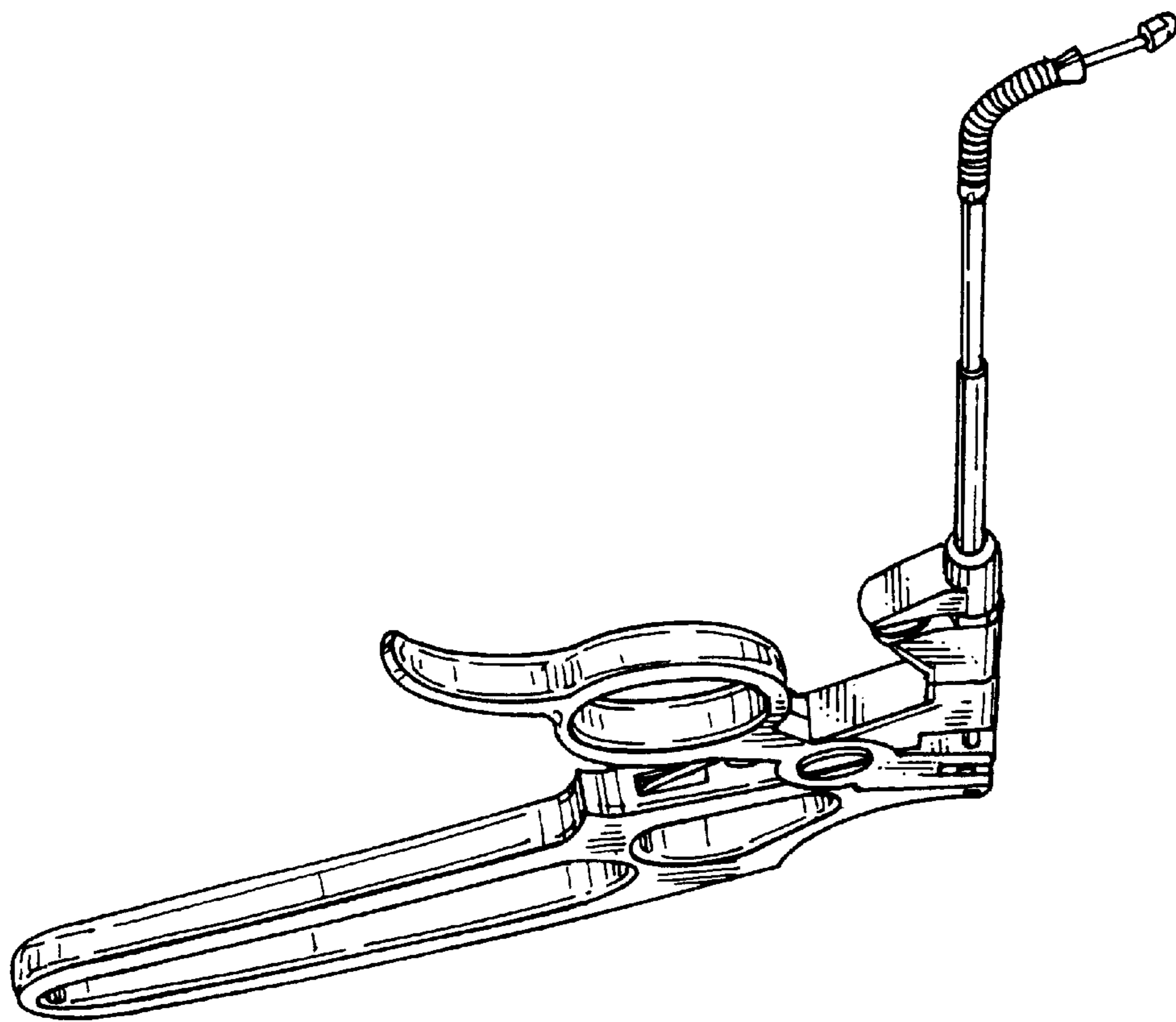


FIG. 6

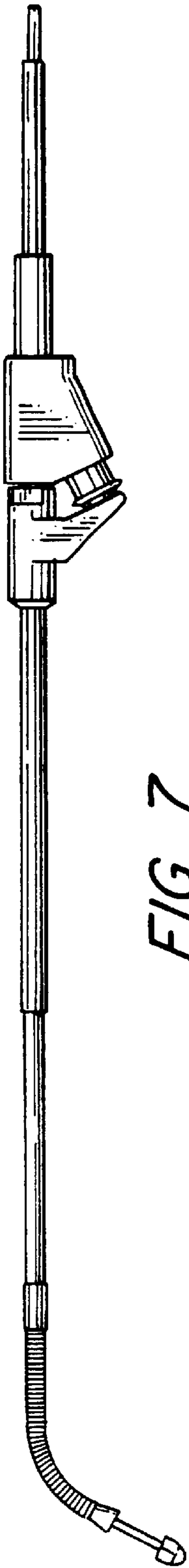


FIG. 7

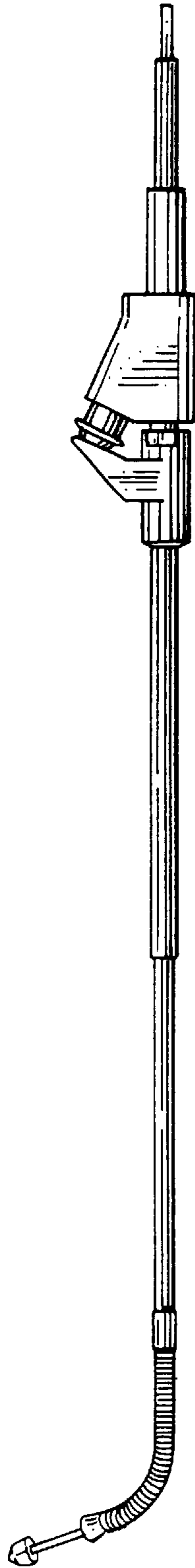


FIG. 8

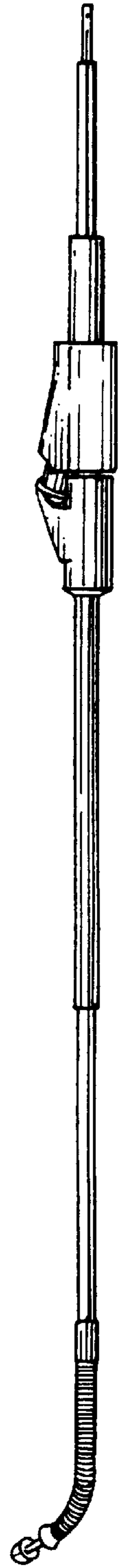


FIG. 9



FIG. 10

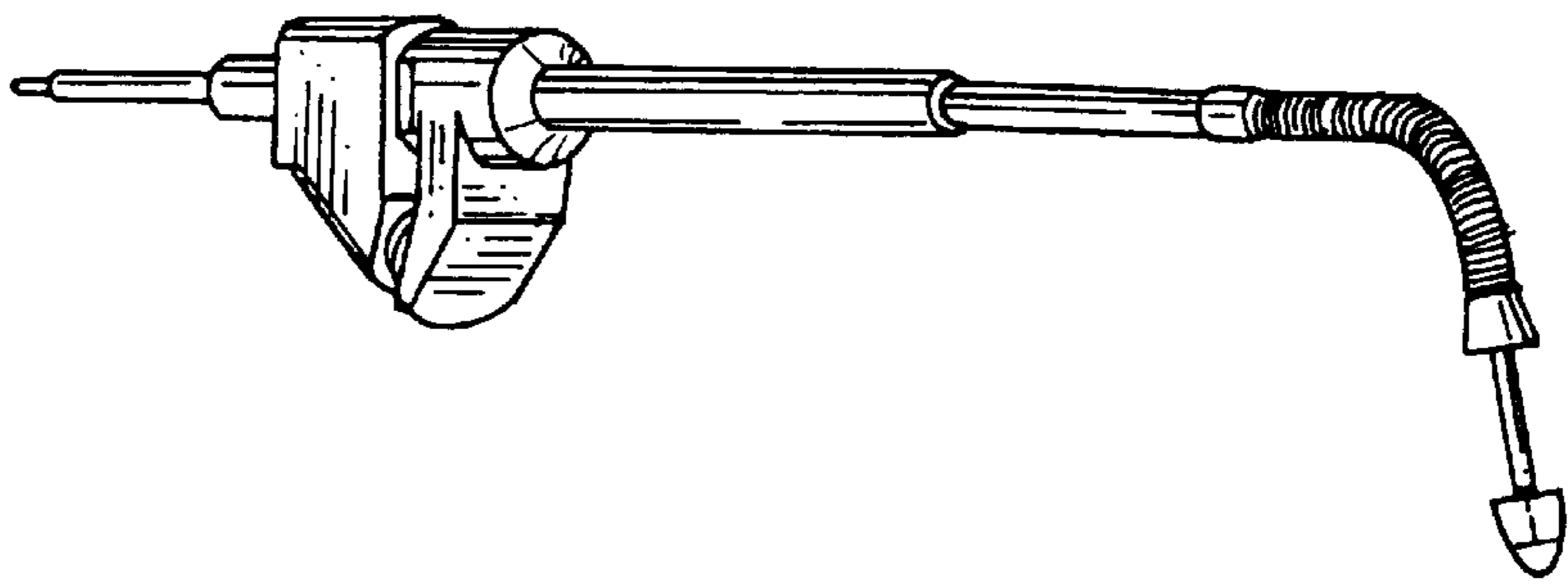


FIG. 11

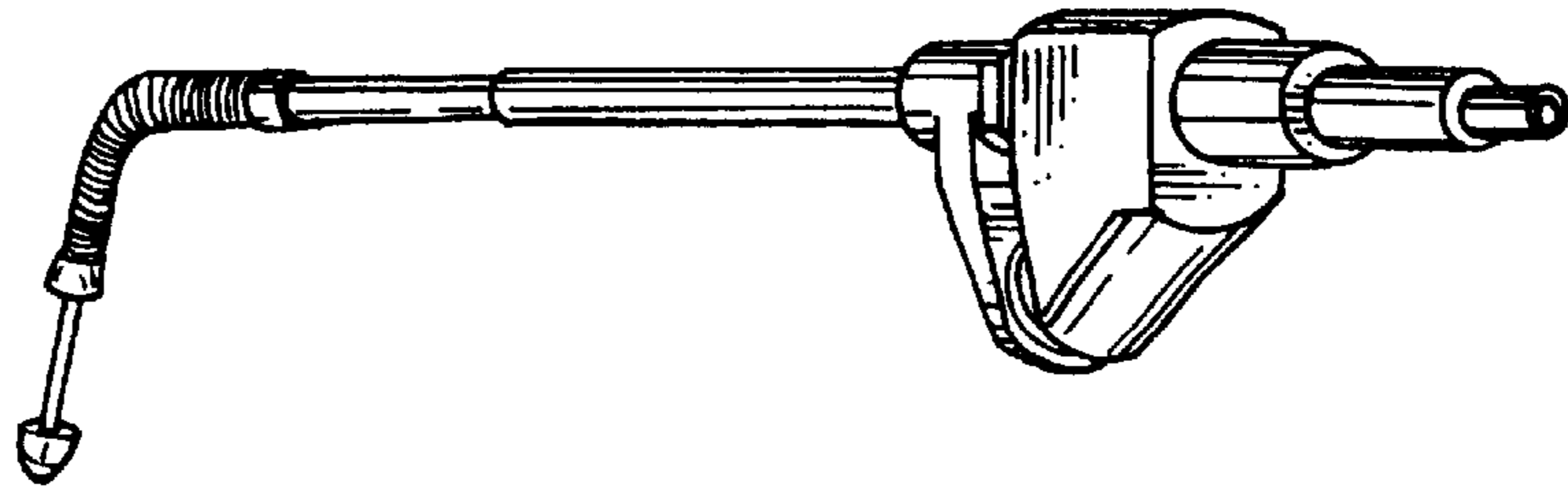


FIG. 12

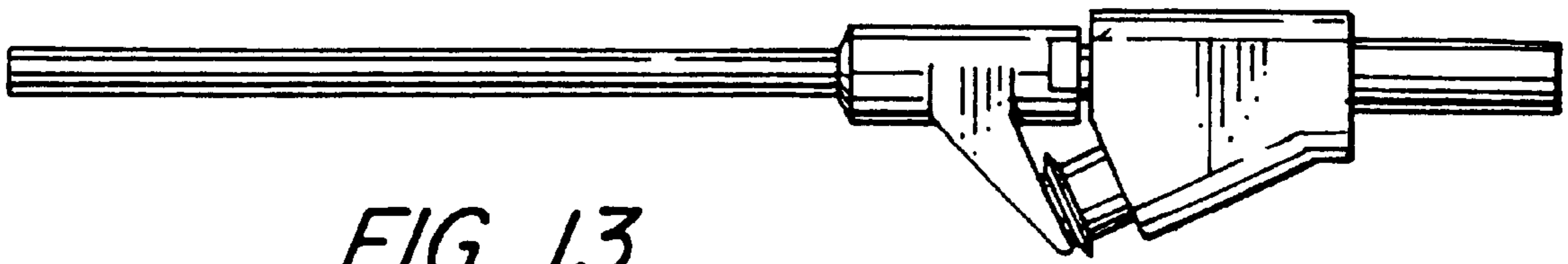


FIG. 13

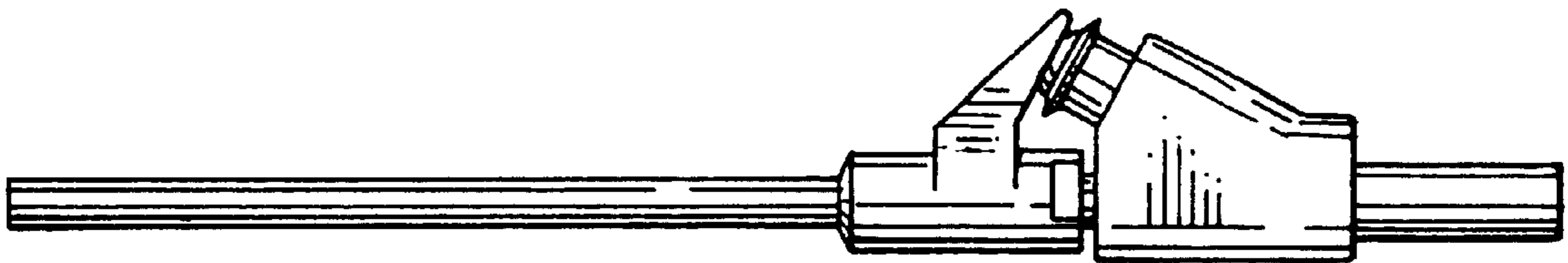


FIG. 14

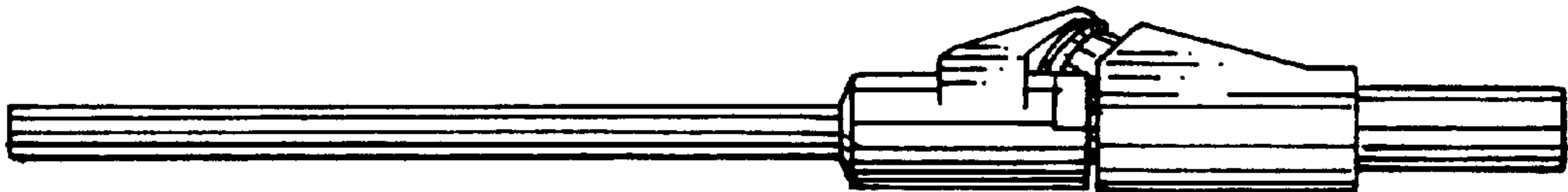


FIG. 15

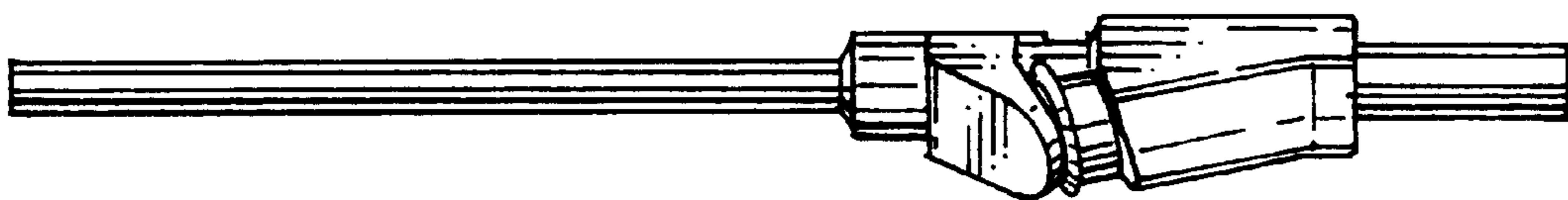


FIG. 16

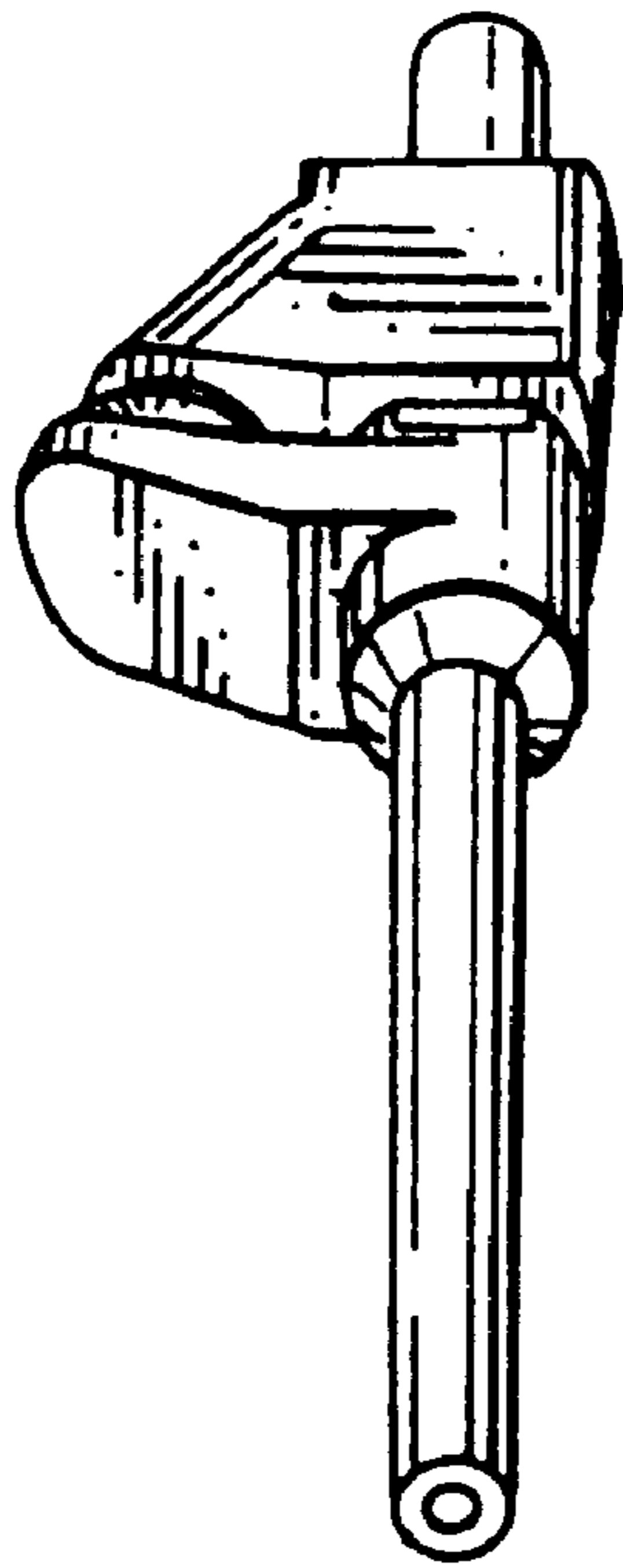


FIG. 17

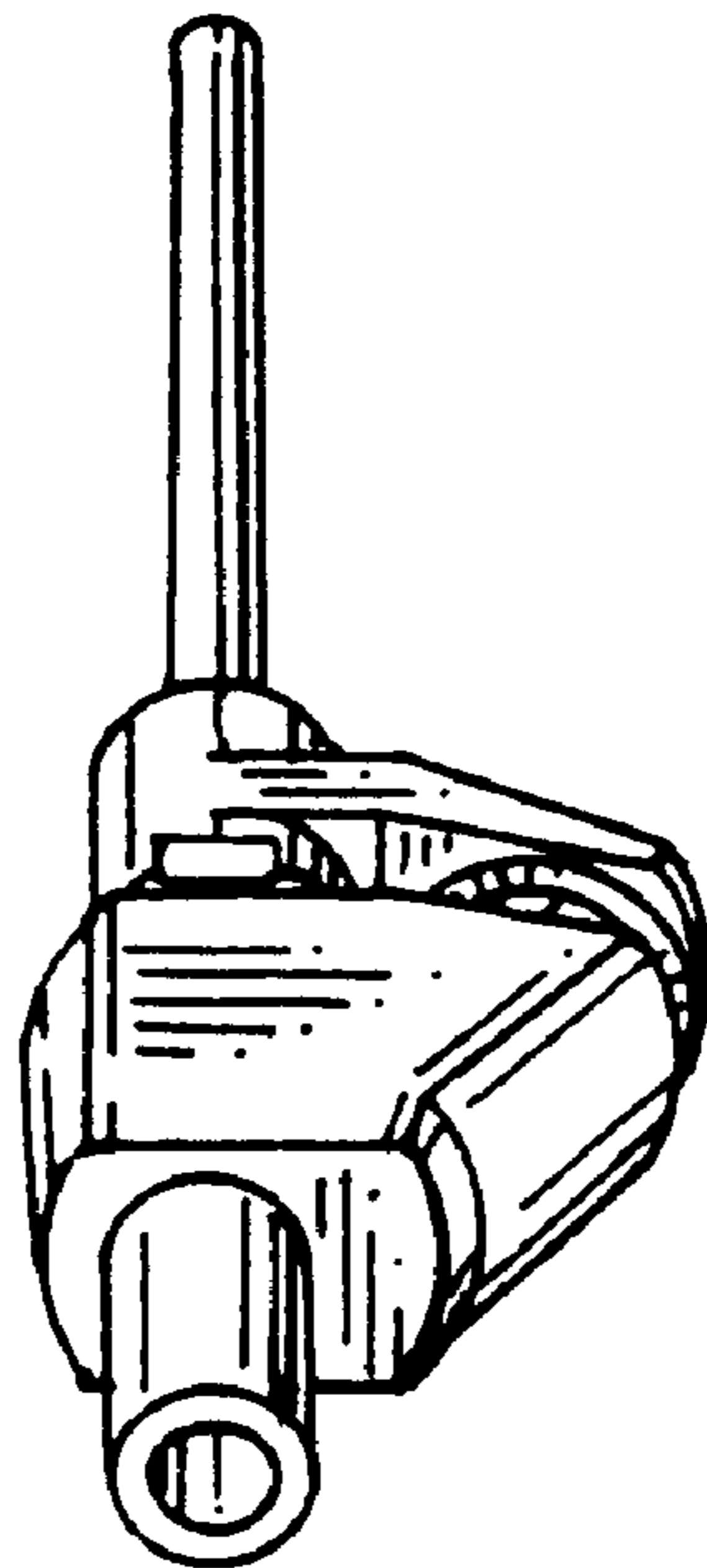


FIG. 18