

US00D465277S

(12) **United States Design Patent**
Sonneman

(10) **Patent No.:** **US D465,277 S**

(45) **Date of Patent:** **** Nov. 5, 2002**

(54) **COMBINATION CEILING FAN HOUSING AND LIGHT FIXTURE**

Primary Examiner—Lisa Lichtenstein

(74) *Attorney, Agent, or Firm*—Jenkins & Gilchrist, P.C.

(75) Inventor: **Robert Sonneman**, Mamaronezk, NY (US)

(57) **CLAIM**

(73) Assignee: **Sonneman Design Group, Inc.**, Mamaronezk, NY (US)

The ornamental design for the combination ceiling fan housing and light fixture, as shown and described.

(**) Term: **14 Years**

DESCRIPTION

(21) Appl. No.: **29/151,479**

FIG. 1 is a top view of the combination ceiling fan housing and light fixture in accordance with my design;

(22) Filed: **Dec. 4, 2001**

FIG. 2 is a front elevation view of the combination ceiling fan housing and light fixture in accordance with my design;

(51) **LOC (7) Cl.** **23-04**

(52) **U.S. Cl.** **D23/411**

(58) **Field of Search** D23/377, 379, D23/385, 411; 416/5

FIG. 3 is a bottom view of the combination ceiling fan housing and light fixture in accordance with my design; and, FIG. 4 is a side elevation view of the combination ceiling fan housing and light fixture in accordance with my design.

(56) **References Cited**

The front and rear elevational views are substantially identical except for the positioning of the blades.

U.S. PATENT DOCUMENTS

D349,336 S	*	8/1994	Tsuji	D23/377
D425,610 S	*	5/2000	Gee, II	D23/377
D448,840 S	*	10/2001	Gajewski	D23/377
D449,682 S	*	10/2001	Gajewski	D23/411

The left and right side elevational views are substantially identical except for the positioning of the blades.

OTHER PUBLICATIONS

U.S. patent application Ser. No. 29/151,481, filed Dec. 4, 2001, Robert Sonneman.

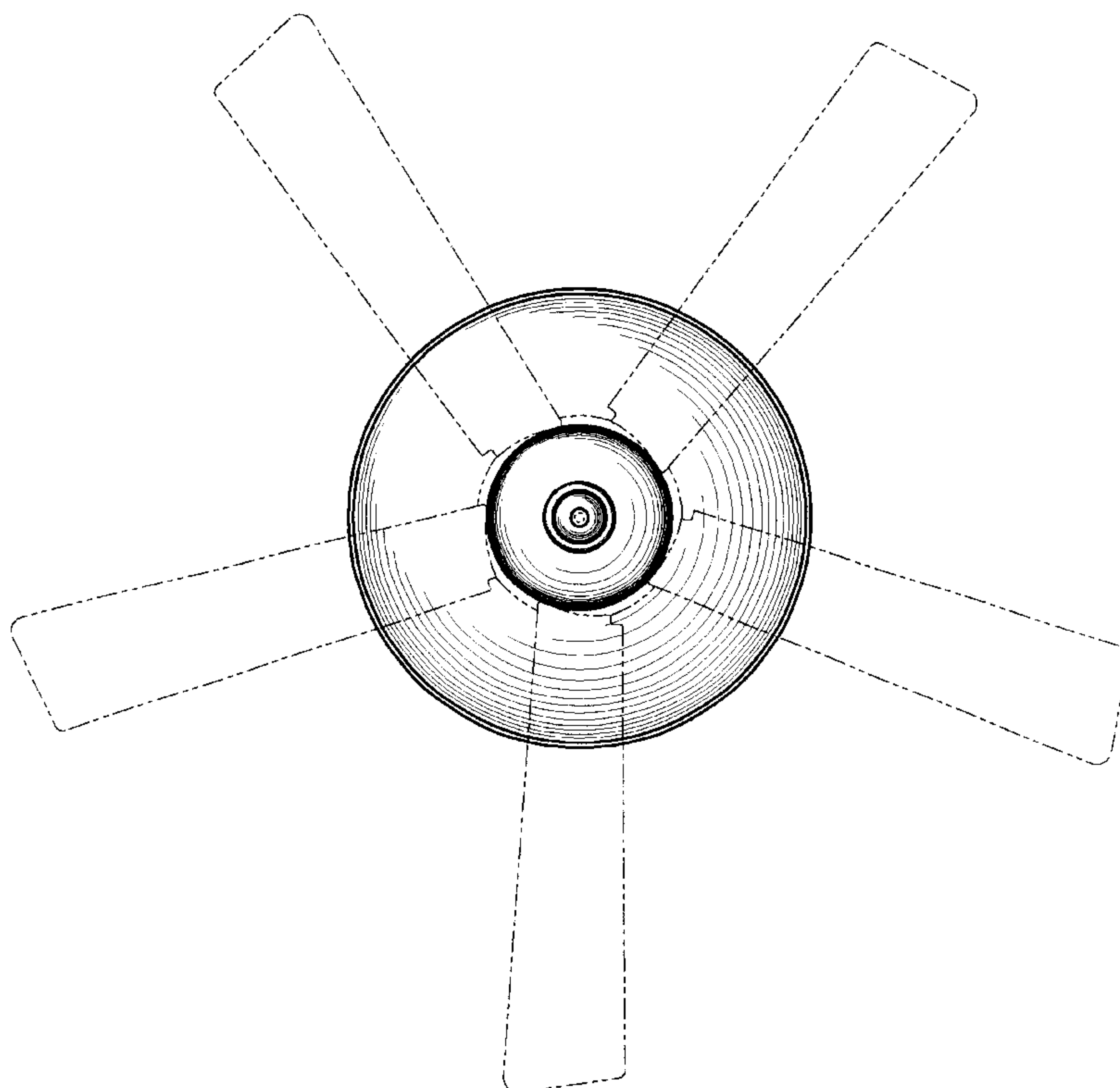
The broken lines showing environmental structures are for illustrative purposes only and form no part of the claimed design.

U.S. patent application Ser. No. 29/151,480, filed Dec. 4, 2001, Robert Sonneman

The support rod has been shown broken away to indicate indeterminate length.

* cited by examiner

1 Claim, 2 Drawing Sheets



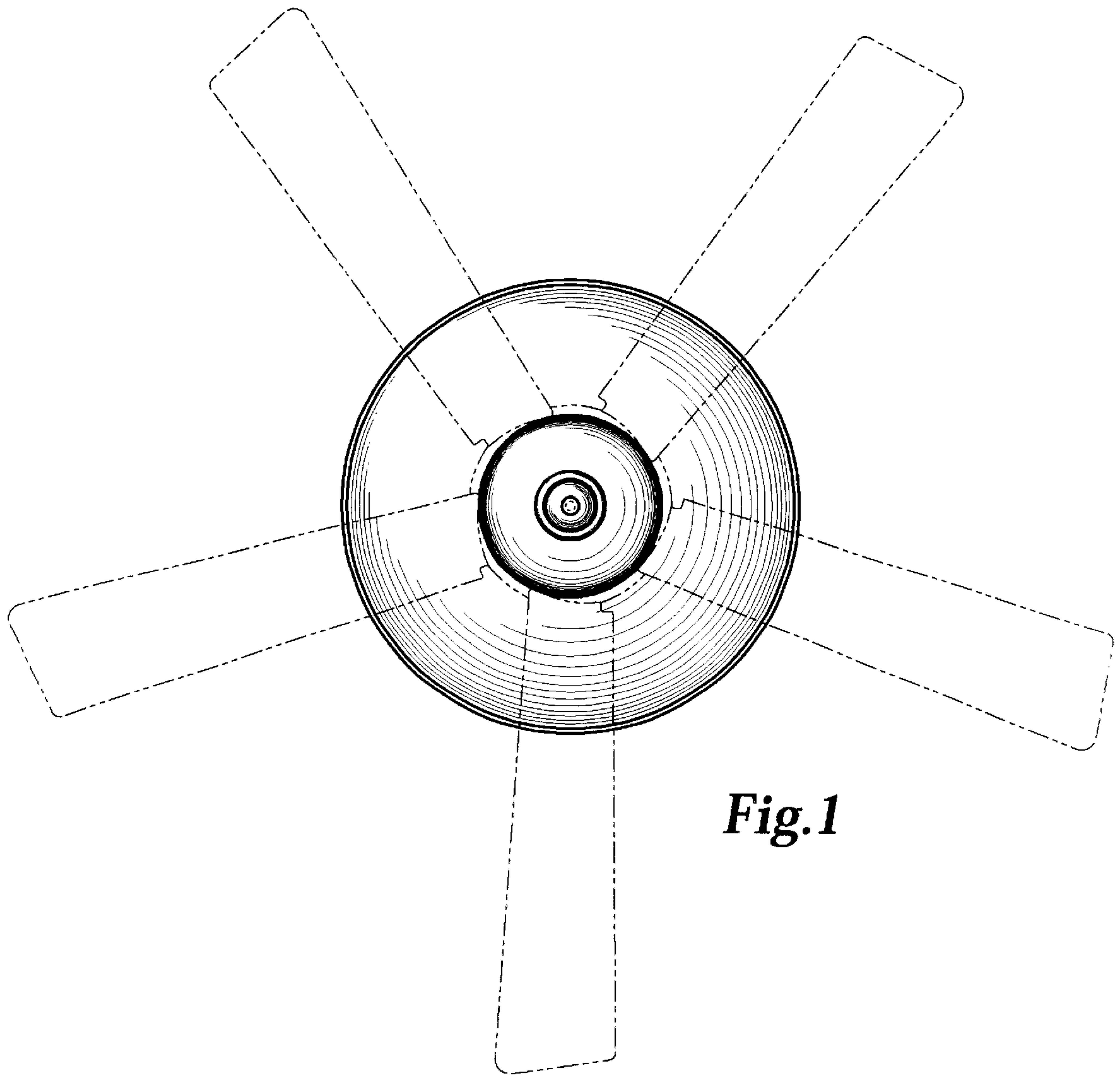


Fig.1

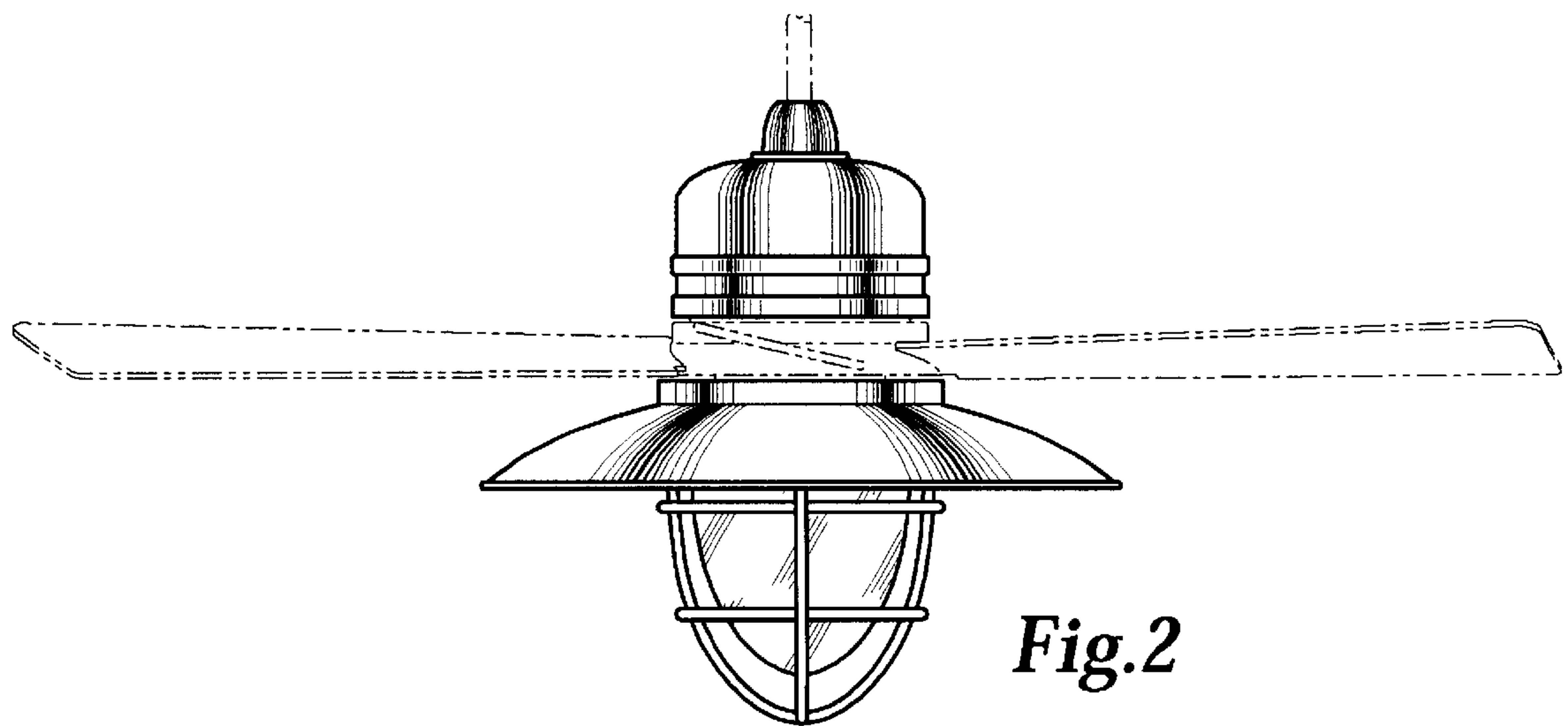


Fig.2

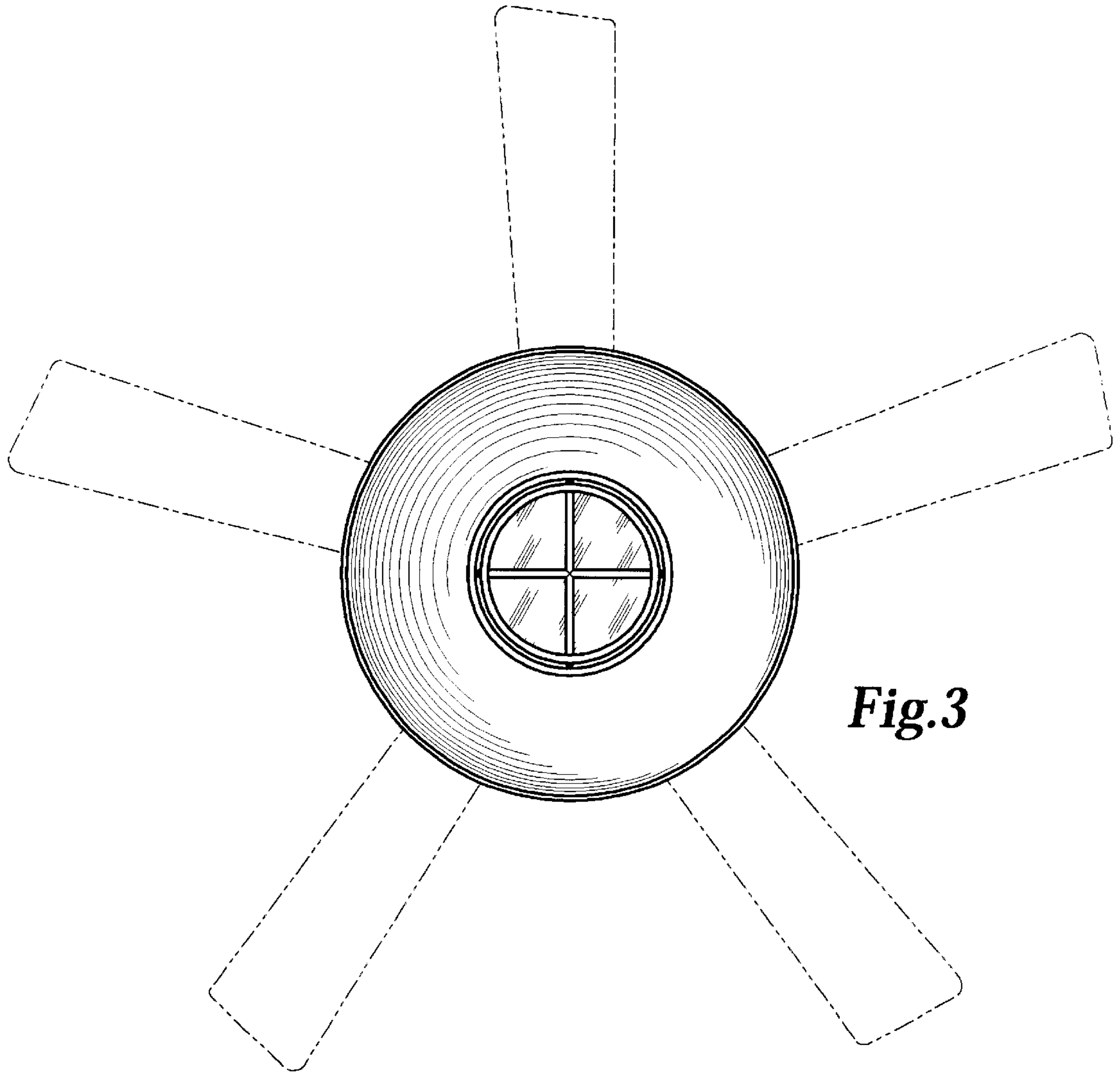


Fig.3

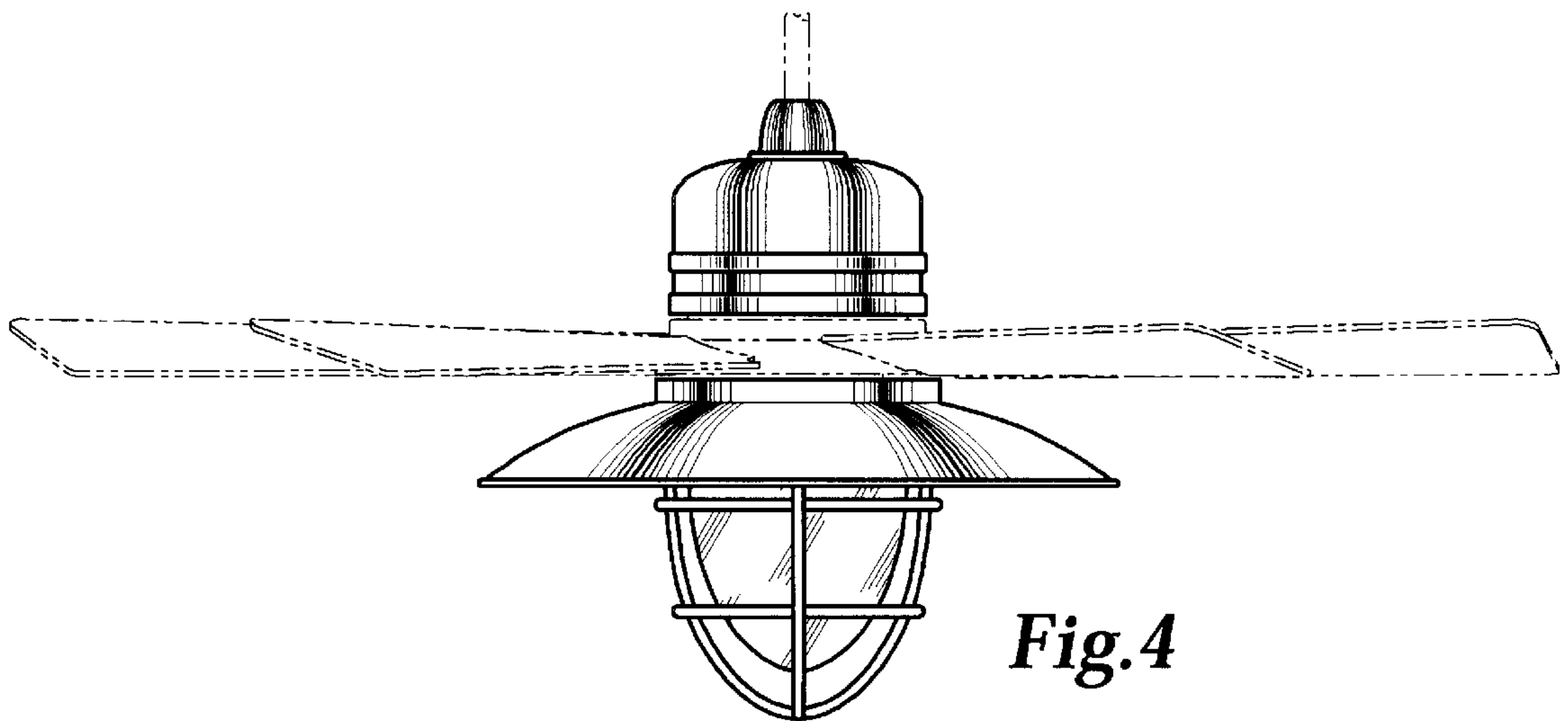


Fig.4