



US00D465275S

(12) **United States Design Patent**
Garman

(10) **Patent No.:** **US D465,275 S**

(45) **Date of Patent:** **** Nov. 5, 2002**

(54) **AIR CLEANER**

(75) **Inventor:** **Michael Garman**, Stafford, VA (US)

(73) **Assignee:** **Hamilton Beach/Proctor-Silex, Inc.**,
Glen Allen, VA (US)

(**) **Term:** **14 Years**

(21) **Appl. No.:** **29/140,012**

(22) **Filed:** **Apr. 11, 2001**

(51) **LOC (7) Cl.** **23-04**

(52) **U.S. Cl.** **D23/364**

(58) **Field of Search** **D23/364, 355,**
D23/370, 332, 381, 366-369; 96/97; 55/356;
422/122, 120

5,800,583 A	9/1998	Pippel et al.
5,803,940 A	9/1998	Rick et al.
D399,943 S	10/1998	Ko
D400,661 S	11/1998	Ko
5,840,092 A	11/1998	Rick et al.
D402,022 S	12/1998	Termeer et al.
D402,746 S	12/1998	Clark et al.
5,879,435 A	3/1999	Satyapal et al.
D411,001 S	6/1999	Pinchuk
5,925,172 A	7/1999	Rick et al.
5,925,320 A	7/1999	Jones
D416,614 S	11/1999	Bellil et al.
6,017,375 A	1/2000	Duell et al.
D420,732 S	2/2000	Gudefin
D426,293 S	6/2000	Tounsi et al.
D432,222 S	10/2000	Rymer et al.
D433,493 S	11/2000	Runyan et al.
D434,483 S	11/2000	Pinchuk
D451,181 S	* 11/2001	Miwa D23/364

(56) **References Cited**

U.S. PATENT DOCUMENTS

2,611,068 A	9/1952	Wellens
D189,420 S	12/1960	Diehl
D193,139 S	7/1962	Karp
D216,794 S	3/1970	Patrick
D234,606 S	3/1975	Gamble
4,731,520 A	3/1988	Glucksman et al.
D295,217 S	4/1988	Glucksman
4,743,406 A	5/1988	Steiner et al.
4,795,883 A	1/1989	Glucksman et al.
4,804,821 A	2/1989	Glucksman et al.
D307,050 S	4/1990	Glucksman et al.
D325,253 S	4/1992	Muderlak
5,111,477 A	5/1992	Muderlak
D328,637 S	8/1992	Muller et al.
D338,709 S	8/1993	Lin
5,332,425 A	* 7/1994	Huang 96/97
5,407,469 A	4/1995	Sun
D360,028 S	7/1995	Matsuda
D374,713 S	10/1996	Ford et al.
D377,213 S	1/1997	Wang
5,601,636 A	2/1997	Glucksman
D379,220 S	5/1997	Ellwood
5,656,242 A	8/1997	Morrow et al.
D388,510 S	12/1997	Rick et al.
5,735,918 A	4/1998	Barradas
D394,100 S	5/1998	Promseeda
D395,146 S	6/1998	Miller et al.
5,762,667 A	6/1998	Pippel et al.
D396,275 S	7/1998	Pearson

FOREIGN PATENT DOCUMENTS

WO WO 97/47928 A2 12/1997

* cited by examiner

Primary Examiner—Lisa Lichtenstein
(74) *Attorney, Agent, or Firm*—Akin, Gump, Strauss,
Hauer & Feld, L.L.P.

(57) **CLAIM**

The ornamental design for an air cleaner, as shown and described.

DESCRIPTION

FIG. 1 is a perspective view as seen from the top, front, and right side of the air cleaner;
FIG. 2 is a top plan view of the air cleaner shown in FIG. 1;
FIG. 3 is a bottom plan view of the air cleaner shown in FIG. 1;
FIG. 4 is a front elevational view of the air cleaner shown in FIG. 1;
FIG. 5 is a rear elevational view of the air cleaner shown in FIG. 1;
FIG. 6 is a left side elevational view of the air cleaner shown in FIG. 1; and,
FIG. 7 is a right side elevational view of the air cleaner shown in FIG. 1.

1 Claim, 6 Drawing Sheets

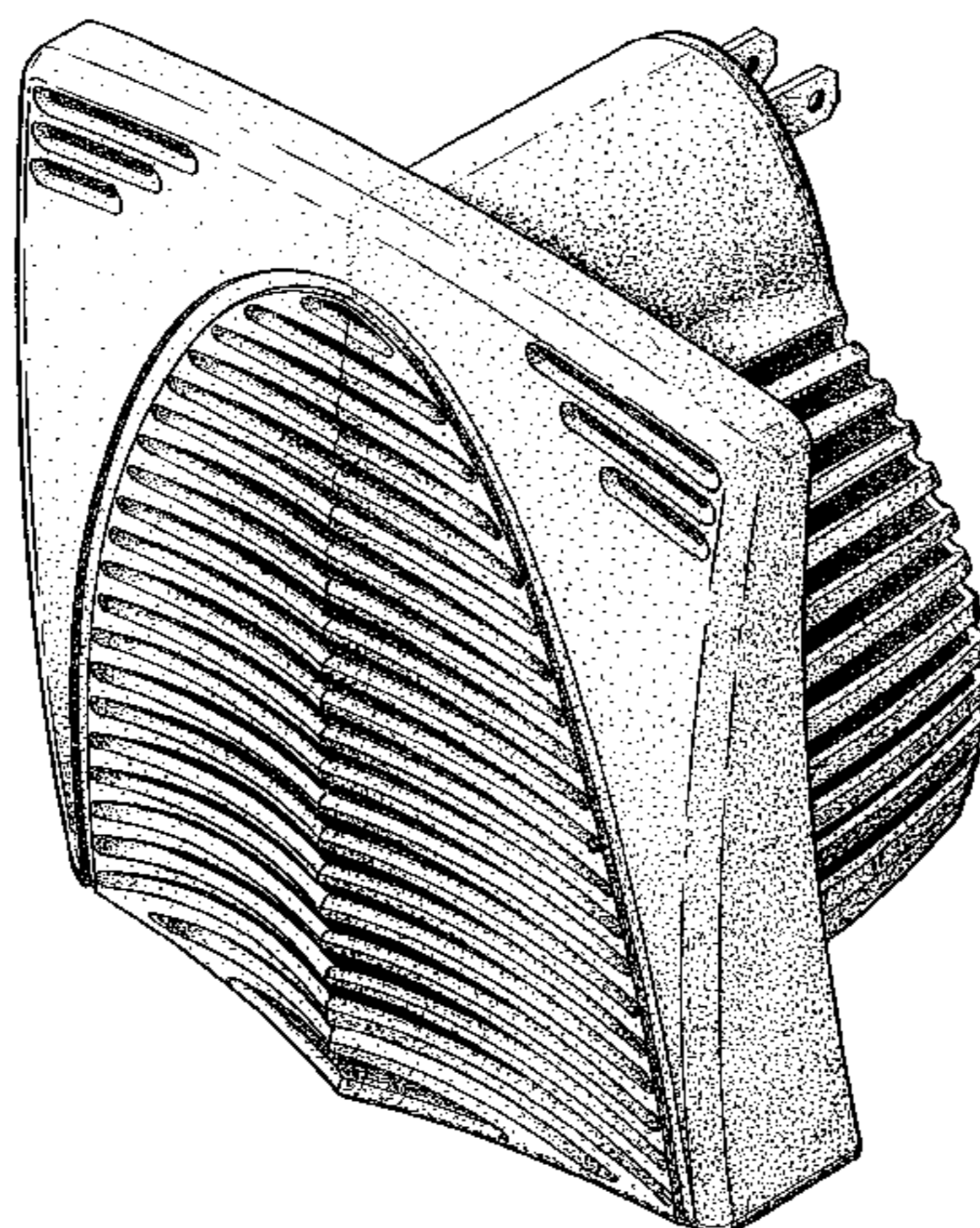


FIG -1

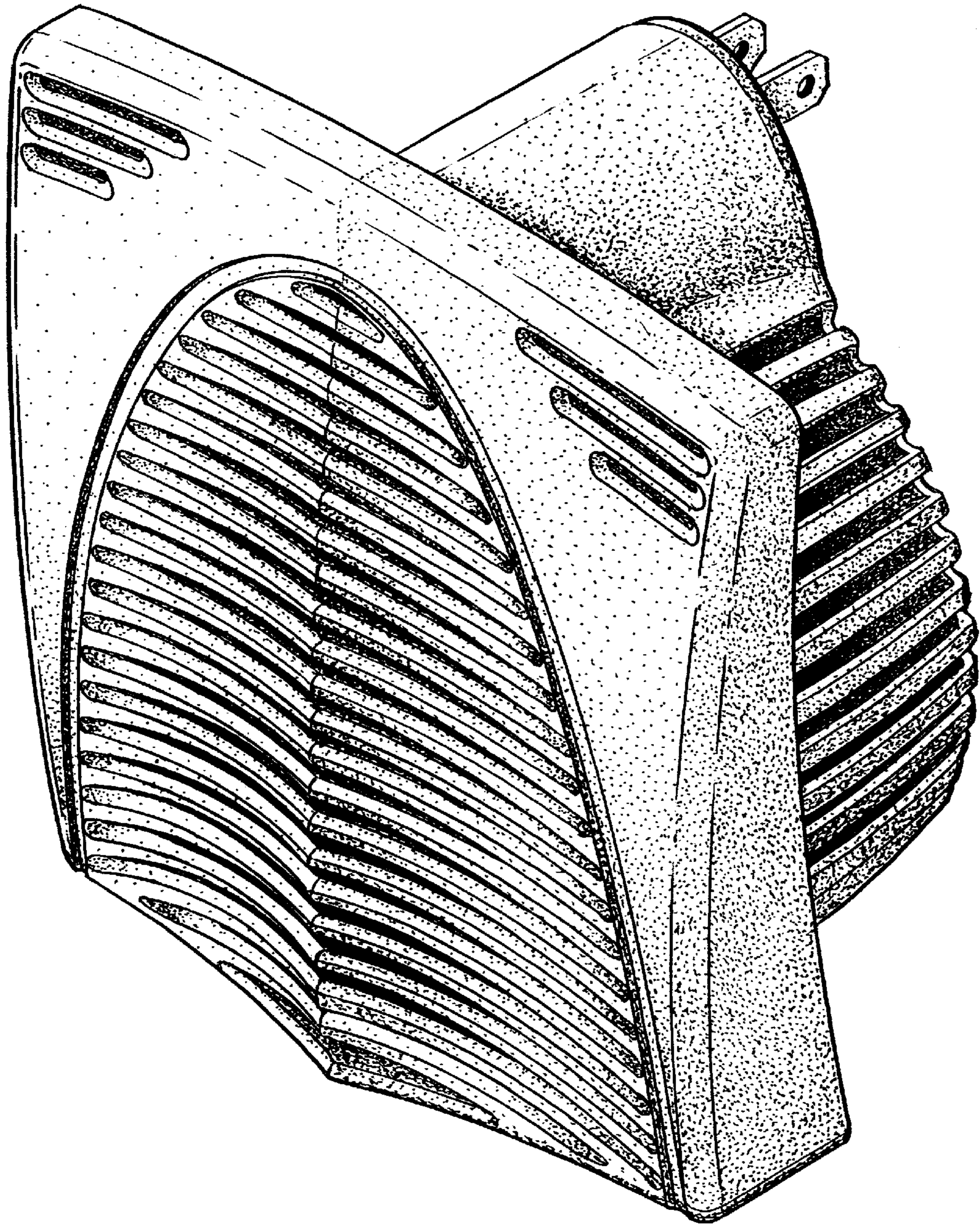


FIG-2

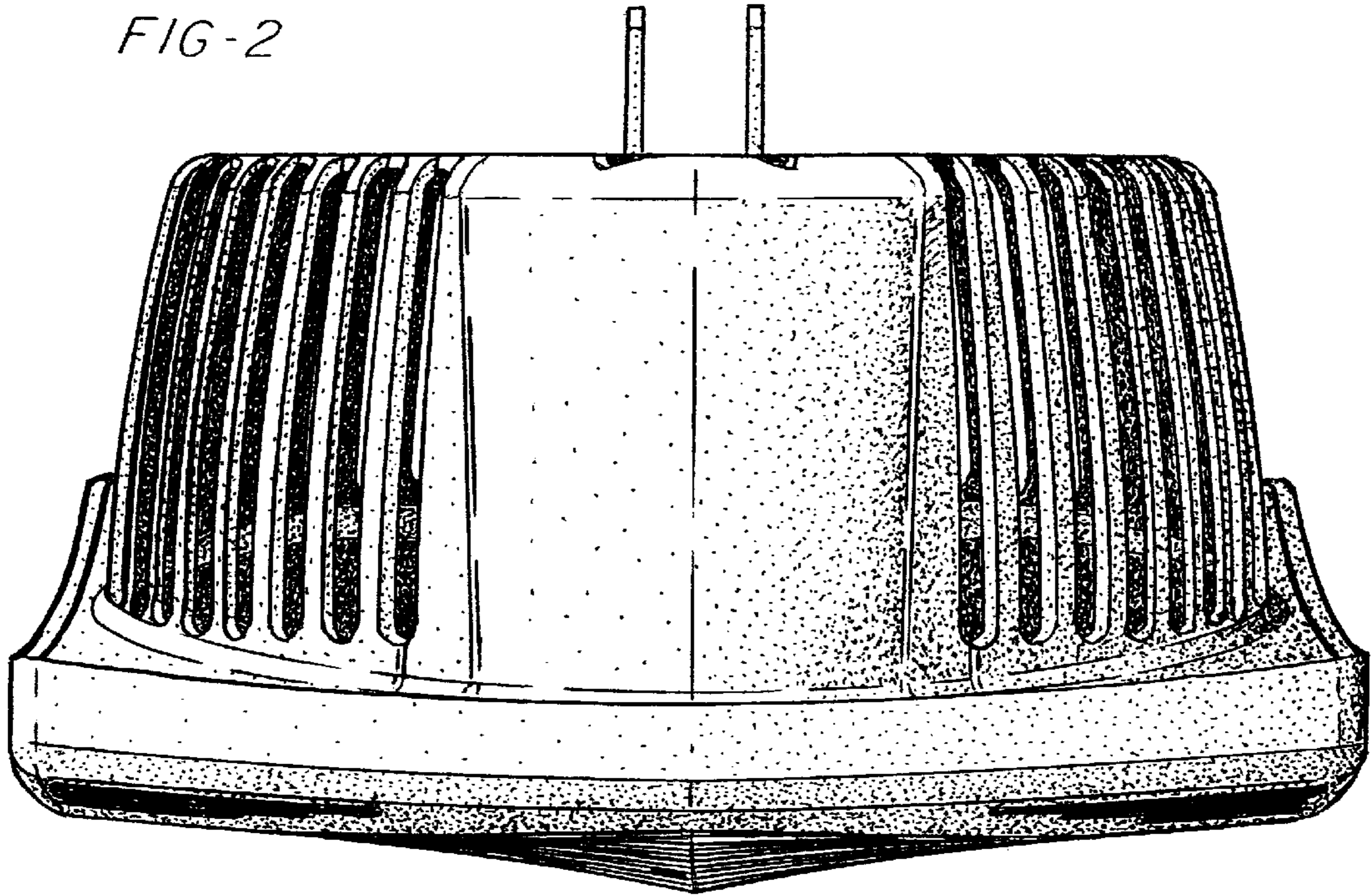


FIG-3

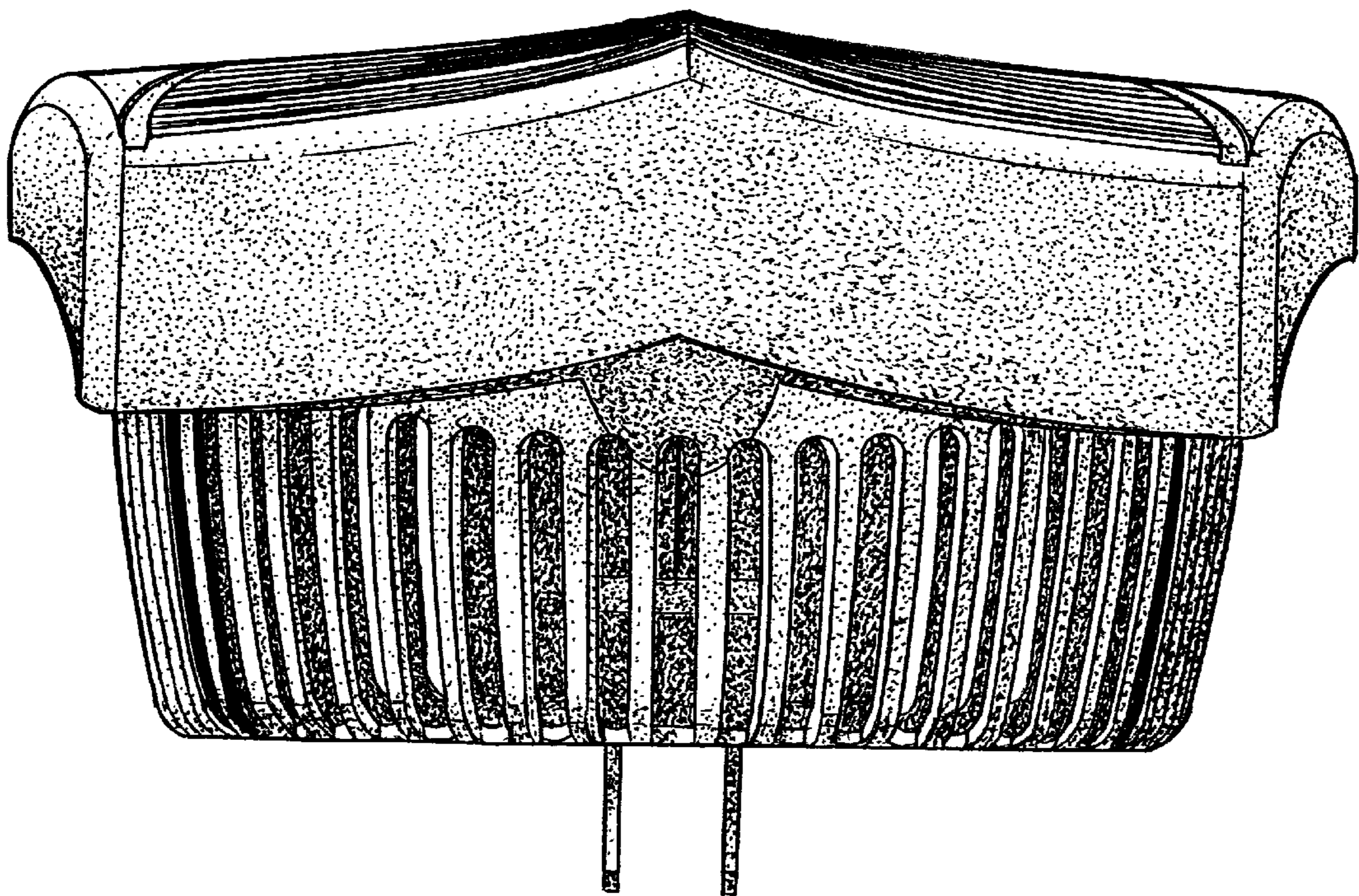


FIG - 4

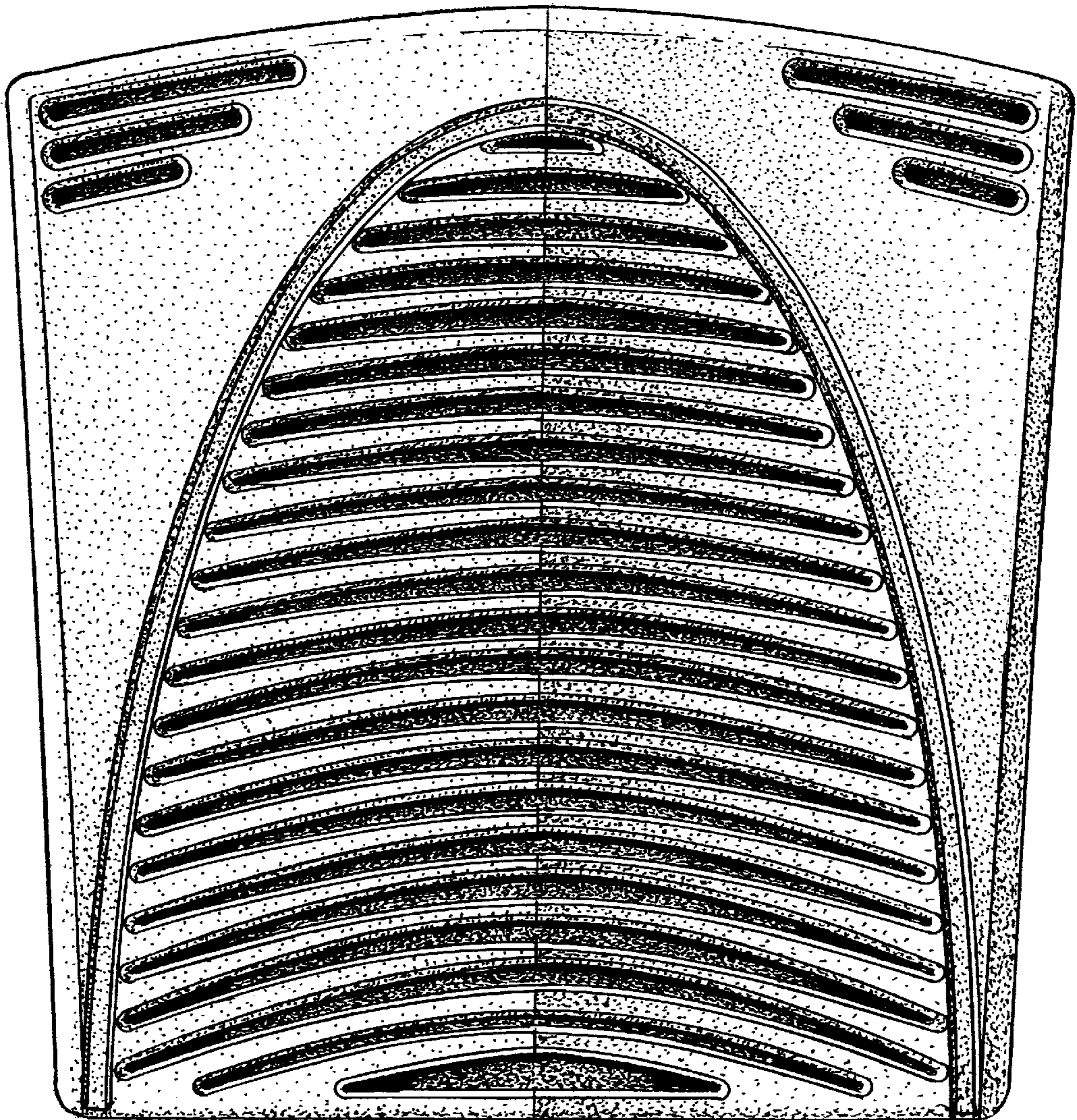


FIG - 5

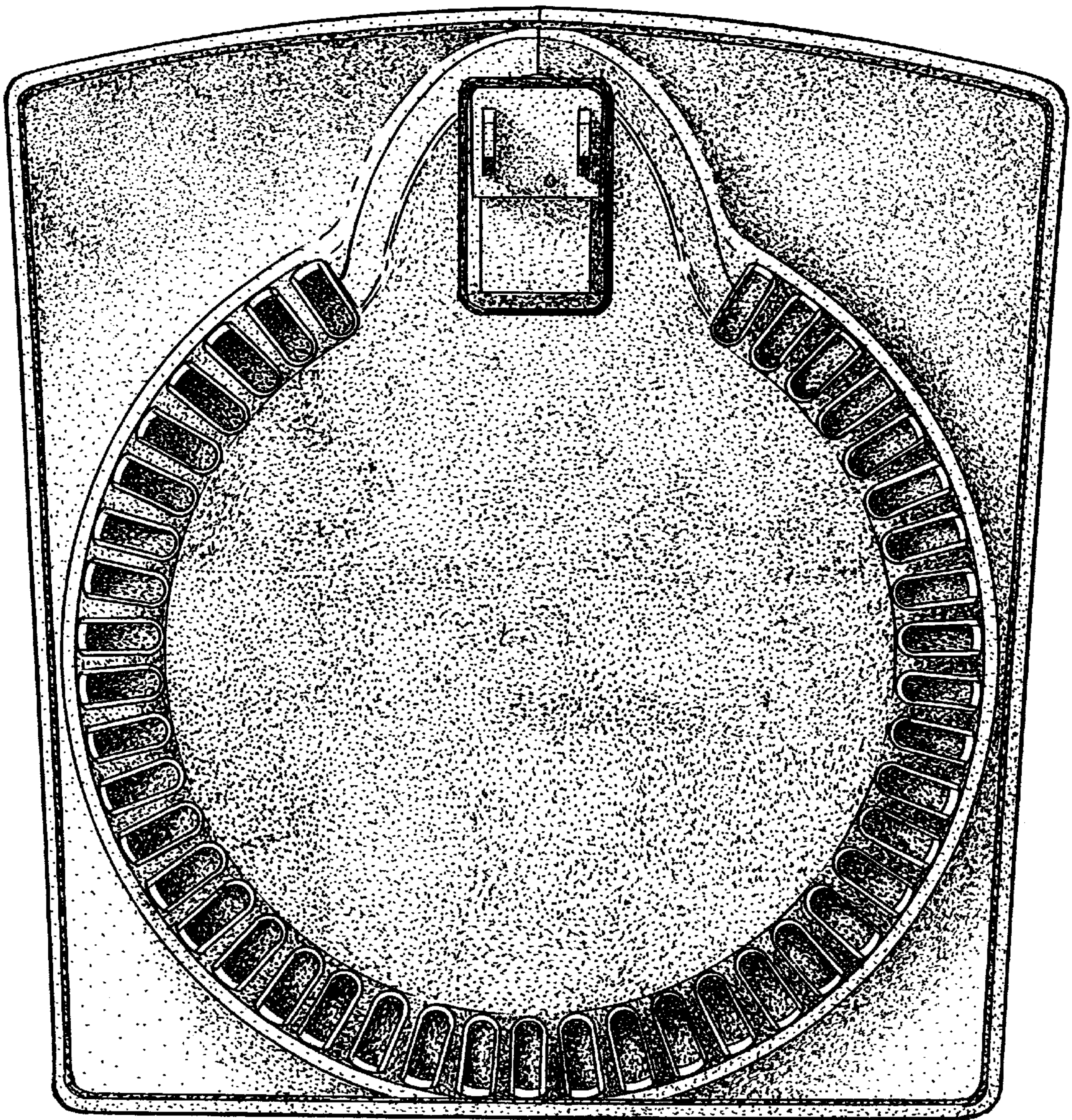


FIG - 6

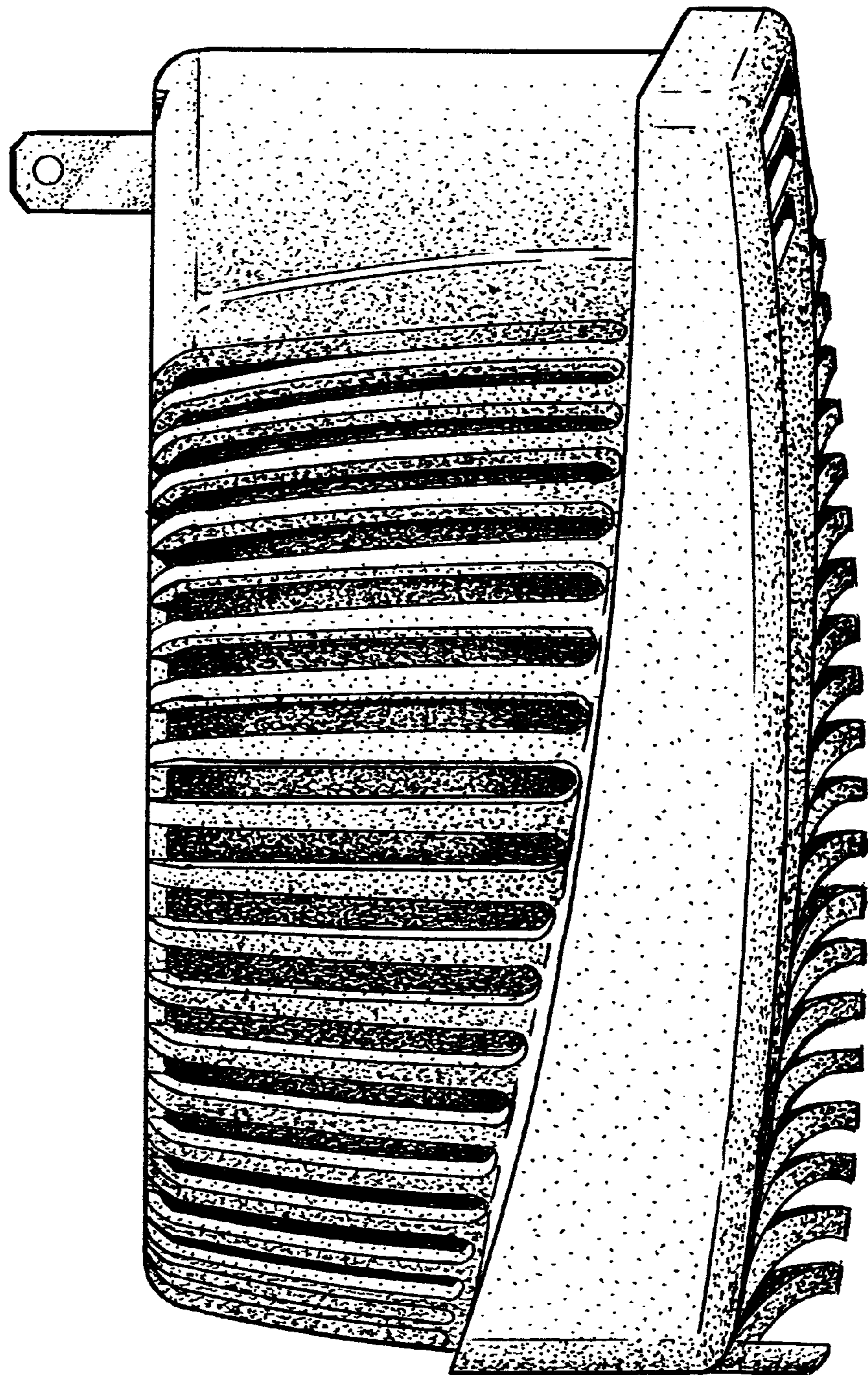


FIG - 7

