



US00D465272S

(12) **United States Design Patent**  
**Gordon**

(10) **Patent No.:** **US D465,272 S**

(45) **Date of Patent:** **\*\* Nov. 5, 2002**

(54) **WATER CLOSET**

(75) Inventor: **William F. Gordon**, Sheboygan Falls, WI (US)

(73) Assignee: **Kohler Co.**, Kohler, WI (US)

(\*\*) Term: **14 Years**

(21) Appl. No.: **29/155,579**

(22) Filed: **Feb. 13, 2002**

(51) **LOC (7) Cl.** ..... **23-02**

(52) **U.S. Cl.** ..... **D23/301**

(58) **Field of Search** ..... D23/273-274,  
D23/295-299, 301, 303, 309, 313; 4/663-665,  
300, 328-329, 353-354, 364, 420, 443,  
446, 474, 476, DIG. 15

(56) **References Cited**

**U.S. PATENT DOCUMENTS**

D250,202 S	11/1978	Doman et al. ....	D23/65
D271,326 S	* 11/1983	Doman et al. ....	D23/301
D311,243 S	* 10/1990	Vaupel et al. ....	D23/301
5,046,201 A	* 9/1991	Steinhardt et al. ....	4/354
D373,818 S	* 9/1996	Sanchez et al. ....	D23/301
D397,214 S	8/1998	Felker .....	D23/301
D453,555 S	* 2/2002	Tako .....	D23/295

**OTHER PUBLICATIONS**

Undated American Standard catalog ad, p. 5, showing a "Lexington" toilet.

Undated American Standard catalog ad showing toilets.

Toto web page showing toilets.

2000 Kohler catalog ad, p. 15.8, showing a "Kathryn Comfort Height" toilet.

\* cited by examiner

*Primary Examiner*—Louis S. Zarfes

*Assistant Examiner*—Robert A. Delehanty

(74) *Attorney, Agent, or Firm*—Quarles & Brady LLP

(57) **CLAIM**

The ornamental design for a water closet, as shown and described.

**DESCRIPTION**

In a preferred embodiment, the nature of this product is as a plumbing fixture which is primarily useful for receiving the liquid and solid waste of humans.

FIG. 1 is a right, top, front perspective view of a water closet embodying my new design;

FIG. 2 is a right side elevational view thereof;

FIG. 3 is a left side elevational view thereof;

FIG. 4 is a front elevational view thereof;

FIG. 5 is a rear elevational view thereof;

FIG. 6 is a top plan view thereof; and,

FIG. 7 is a bottom plan view thereof.

The broken line representations of holes in FIGS. 1 and 6, of a flush handle in FIGS. 3-6, and of mounting structure and other support structure in FIG. 7, are for the purpose of illustration only, and form no part of the claimed design.

**1 Claim, 4 Drawing Sheets**

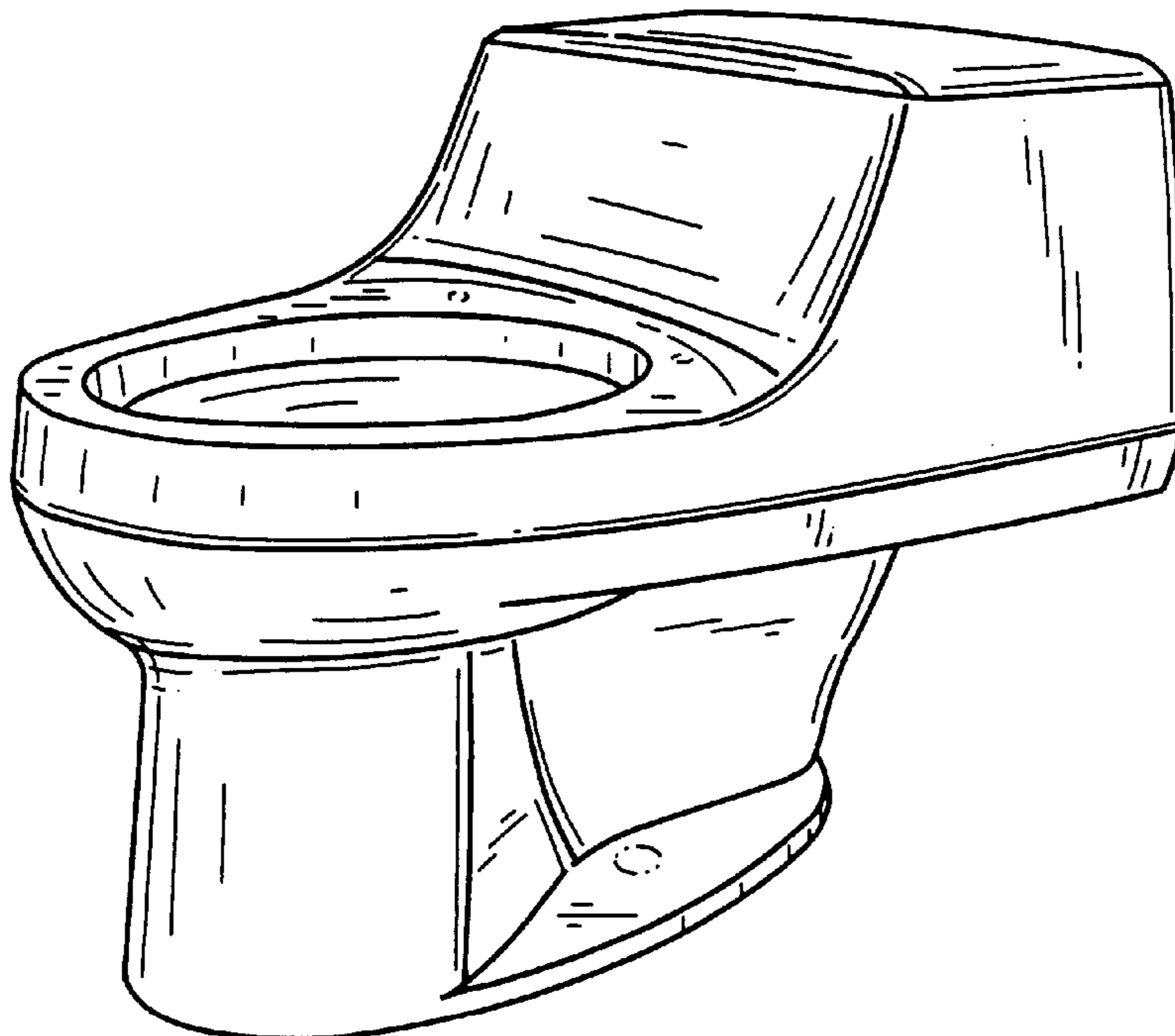


FIG. 1

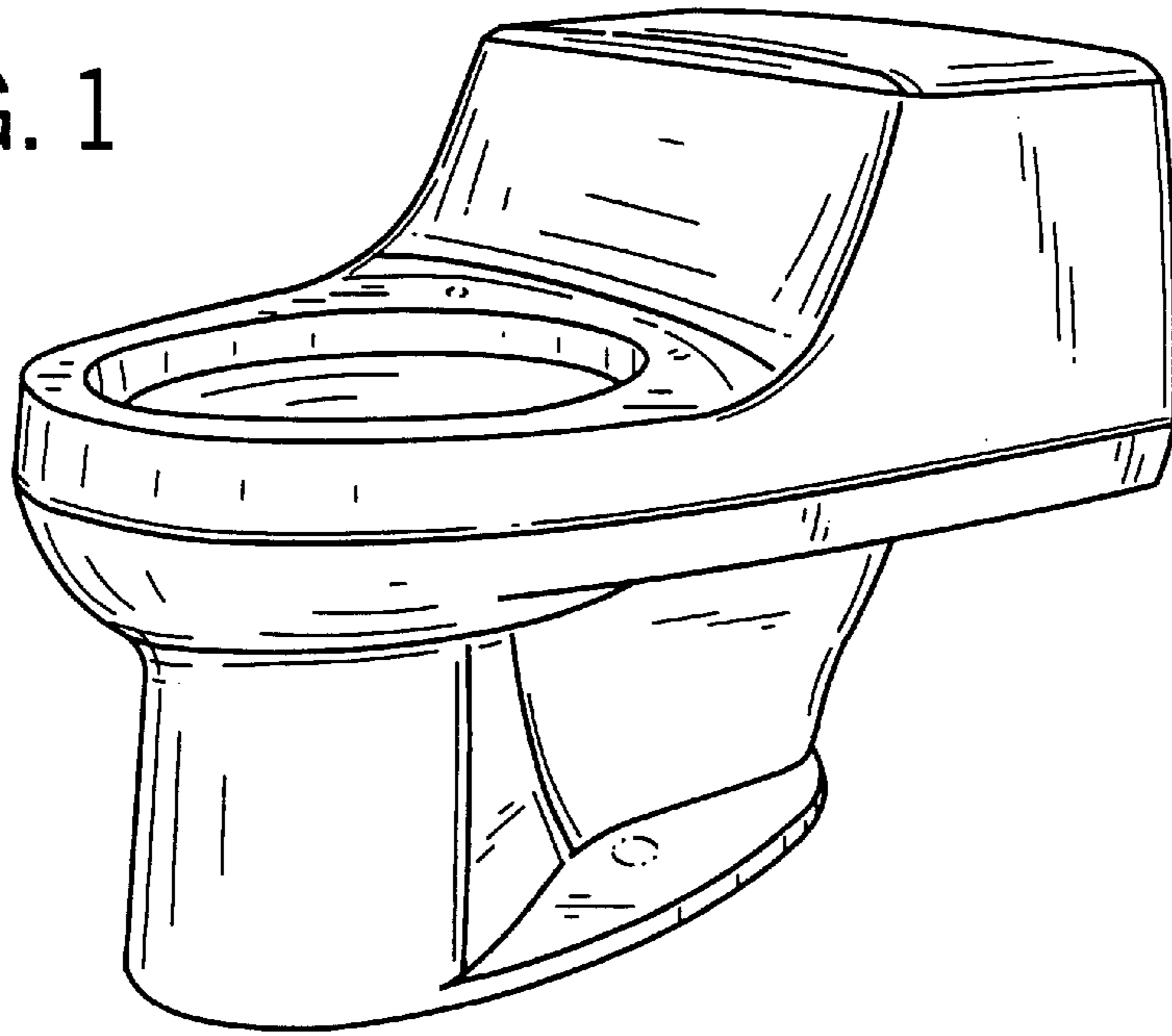
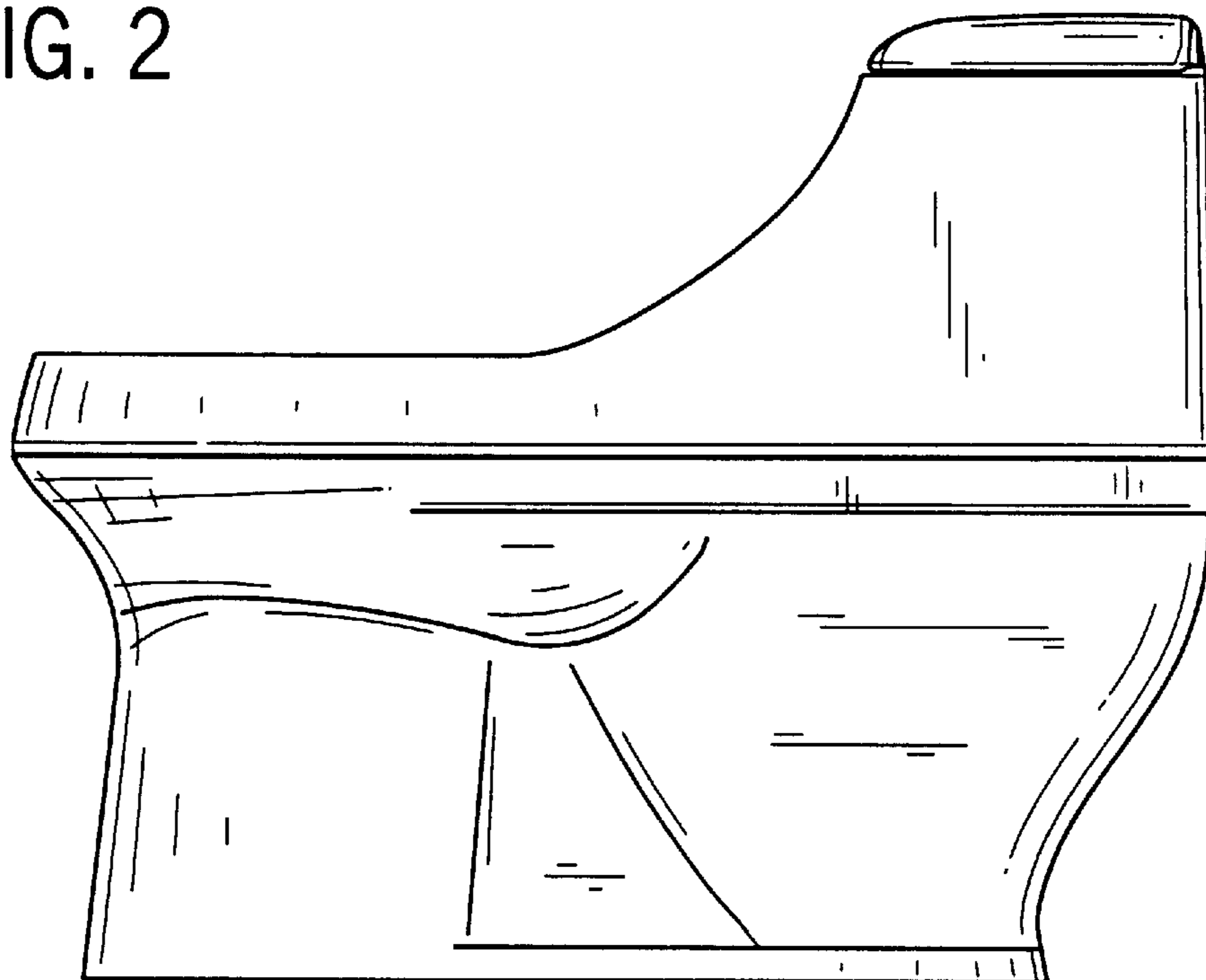


FIG. 2



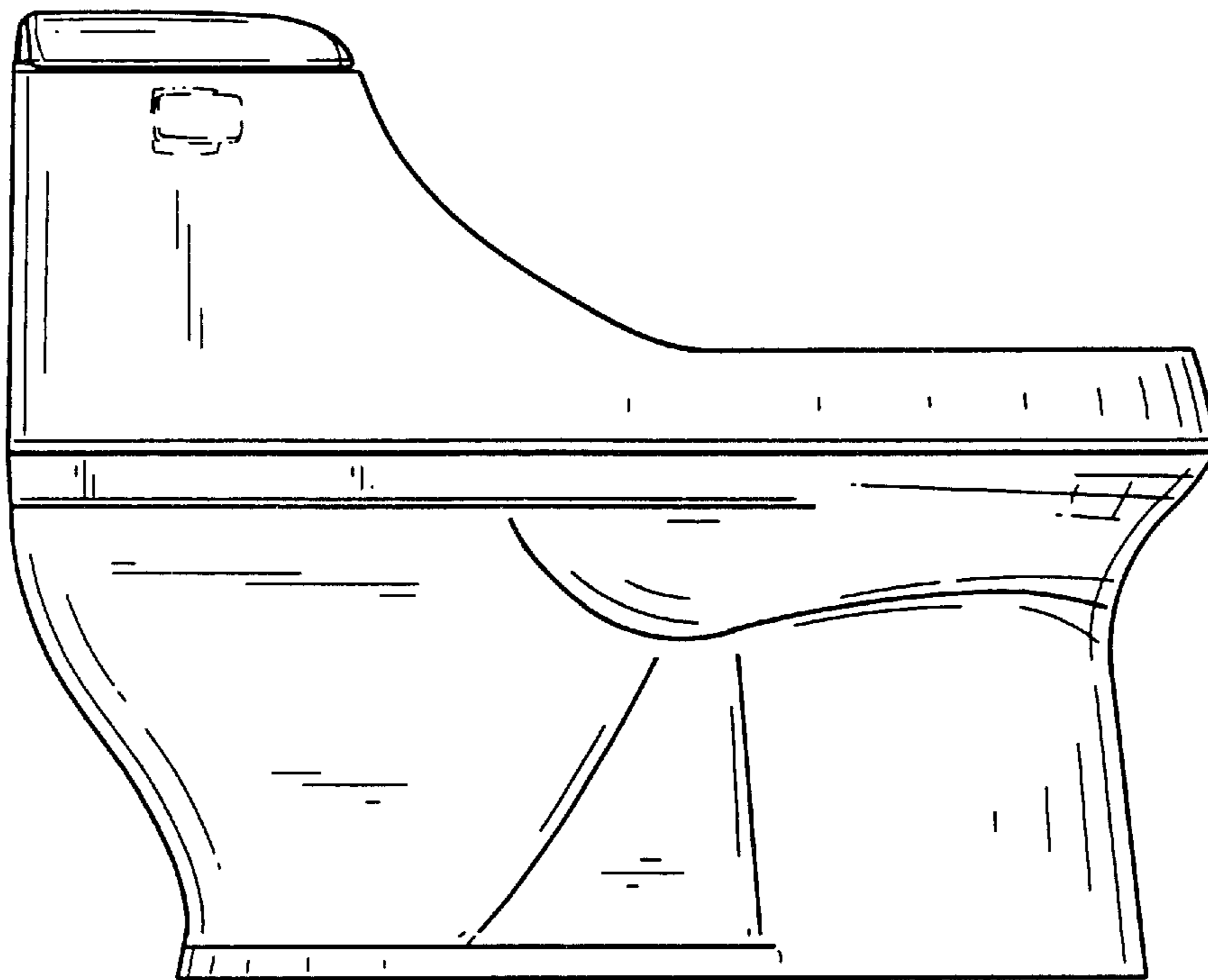


FIG. 3

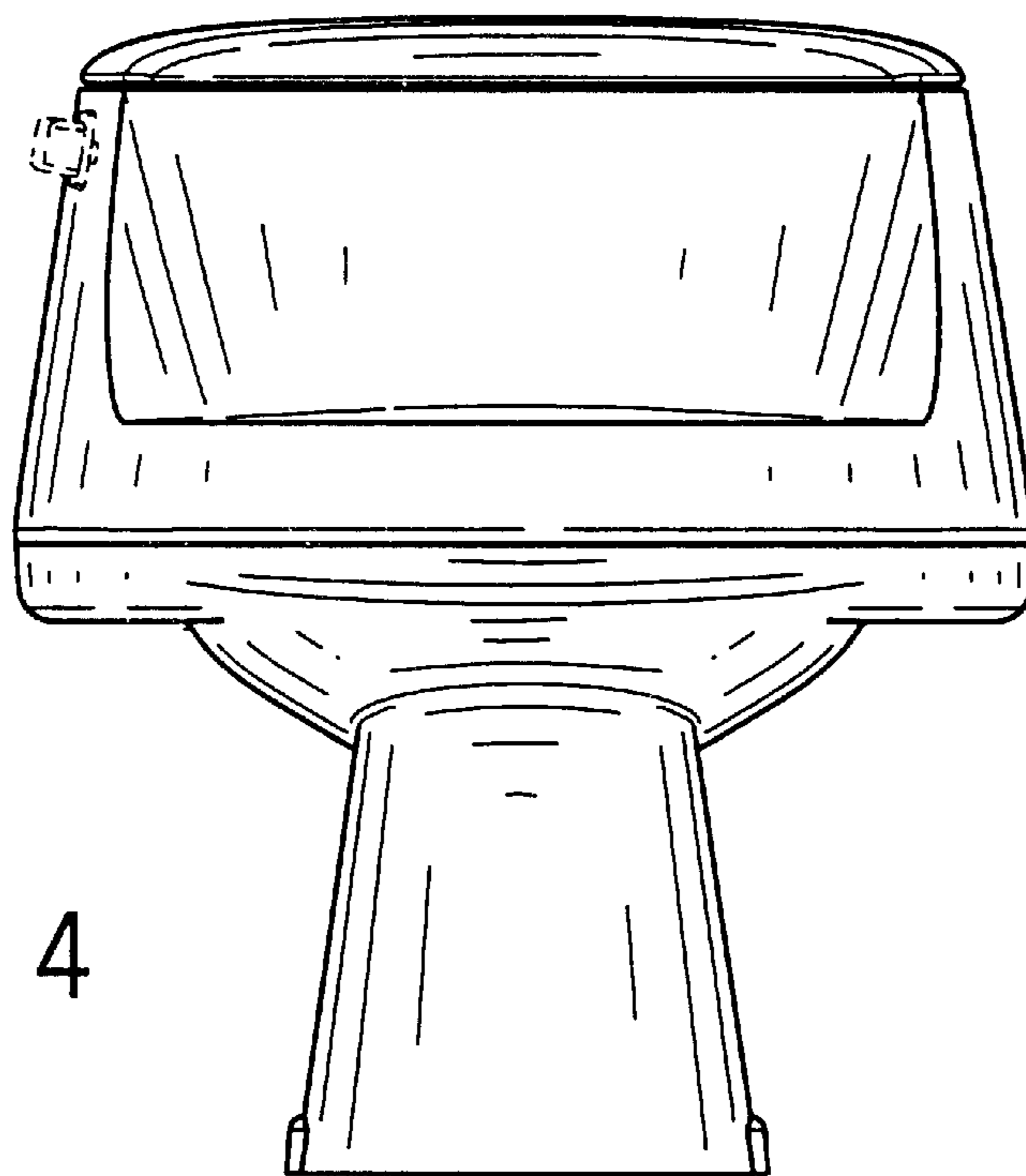


FIG. 4

FIG. 5

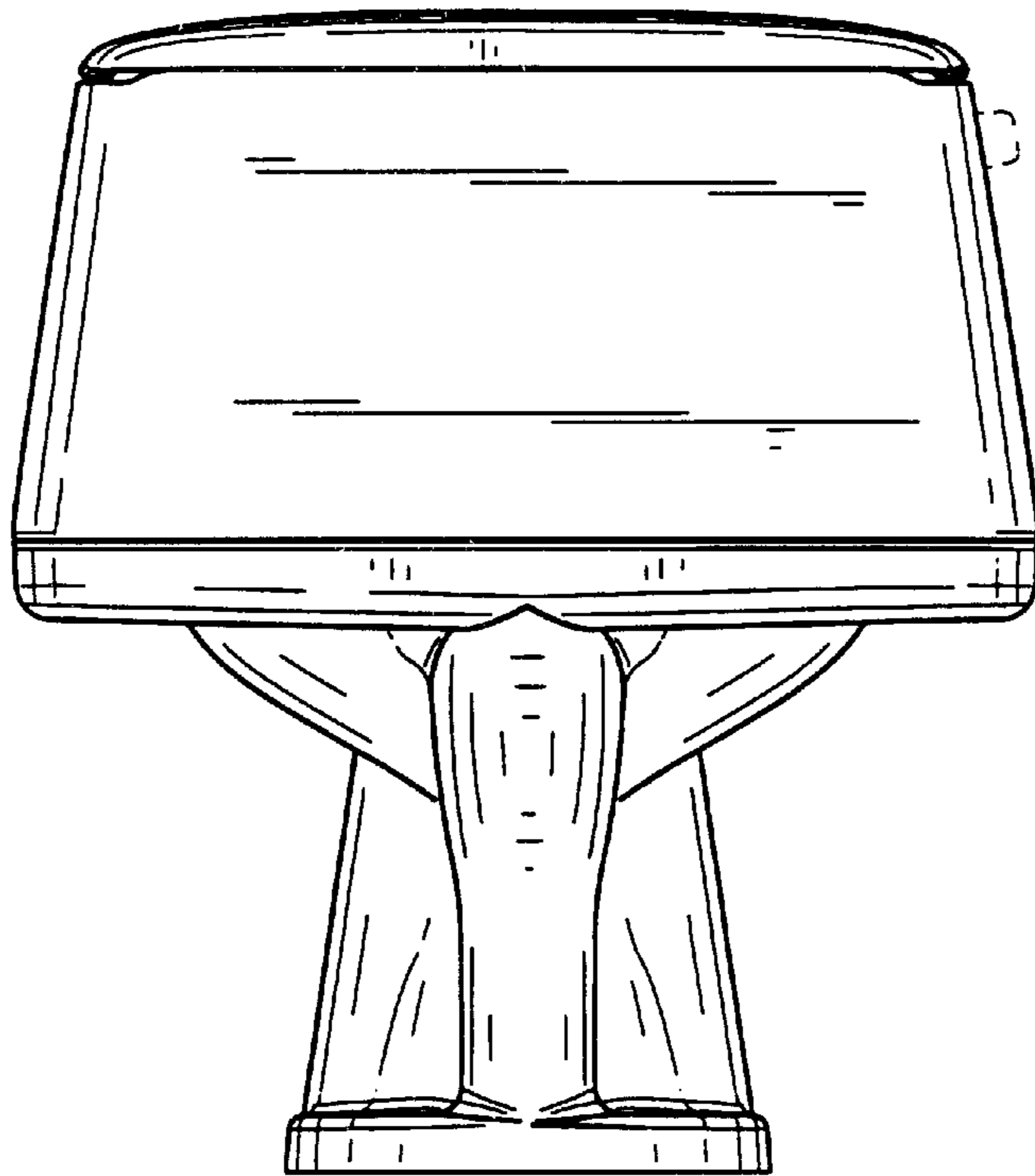


FIG. 6

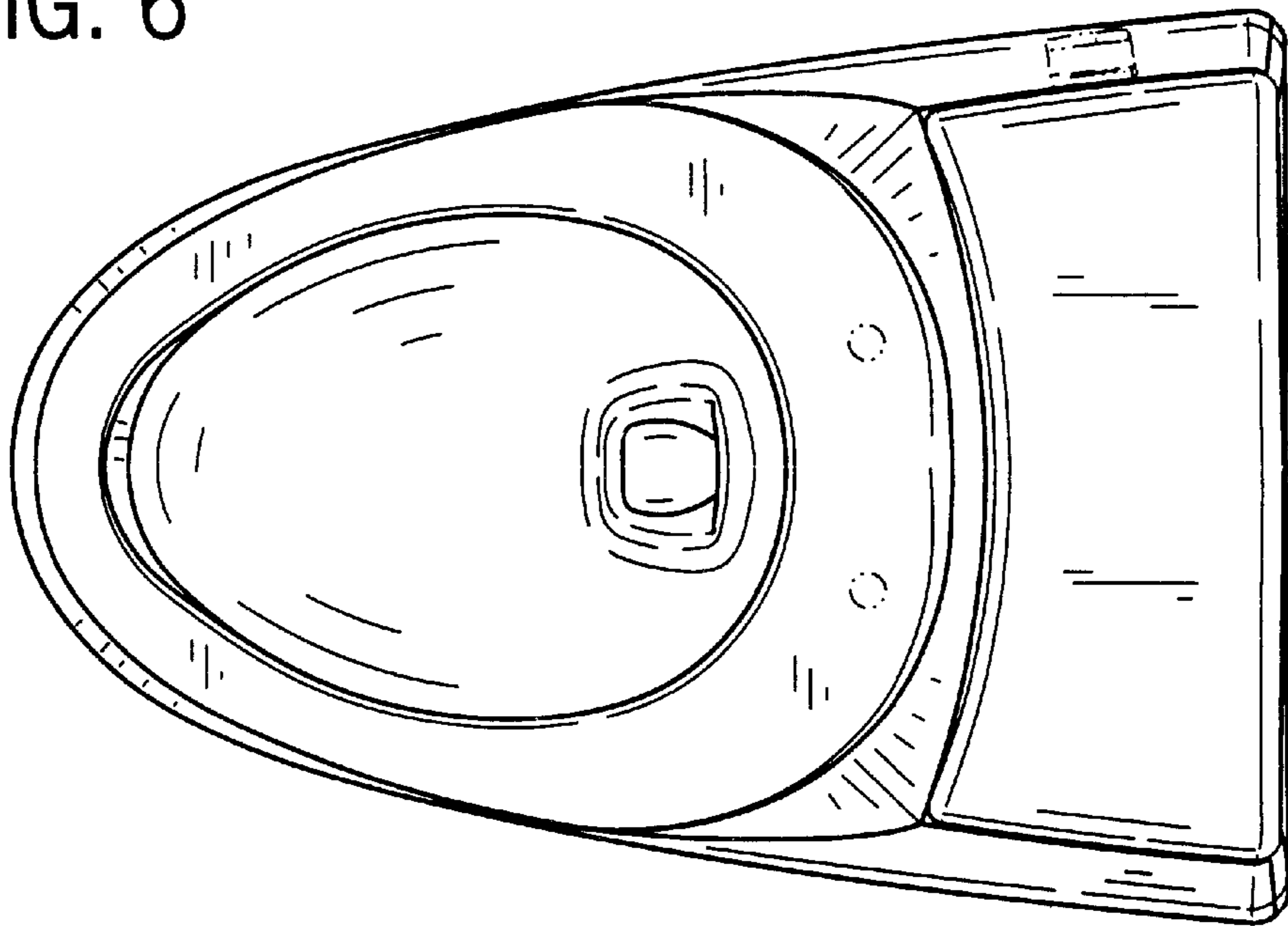


FIG. 7

