



US00D465271S

(12) **United States Design Patent**
Ris

(10) **Patent No.:** **US D465,271 S**

(45) **Date of Patent:** **** Nov. 5, 2002**

(54) **SINK**

(76) **Inventor:** **Max Ris**, Schanzenweg 6, CH-4612 Wangen (CH)

(**) **Term:** **14 Years**

(21) **Appl. No.:** **29/131,171**

(22) **Filed:** **Oct. 16, 2000**

(51) **LOC (7) Cl.** **23-02**

(52) **U.S. Cl.** **D23/290**

(58) **Field of Search** D23/284-290,
D23/303, 308; 4/619, 637-642, 650-652,
661

(56) **References Cited**

U.S. PATENT DOCUMENTS

D319,687 S	*	9/1991	Kohler, Jr. et al.	D23/287
D336,951 S	*	6/1993	Lotito et al.	D23/290
D362,901 S	*	10/1995	Dannenberg et al.	D23/290
D419,657 S	*	1/2000	Piterski et al.	D23/288
D420,109 S	*	2/2000	Suter	D23/288

* cited by examiner

Primary Examiner—Louis S. Zarfaz
Assistant Examiner—Robert A. Delehanty

(57) **CLAIM**

The ornamental design for a sink, as shown and described.

DESCRIPTION

FIG. 1 is a top perspective view of a sink showing my new design;

FIG. 2 is a top plan view shown on a reduced scale thereof;

FIG. 3 is a front elevation view shown on a reduced scale thereof;

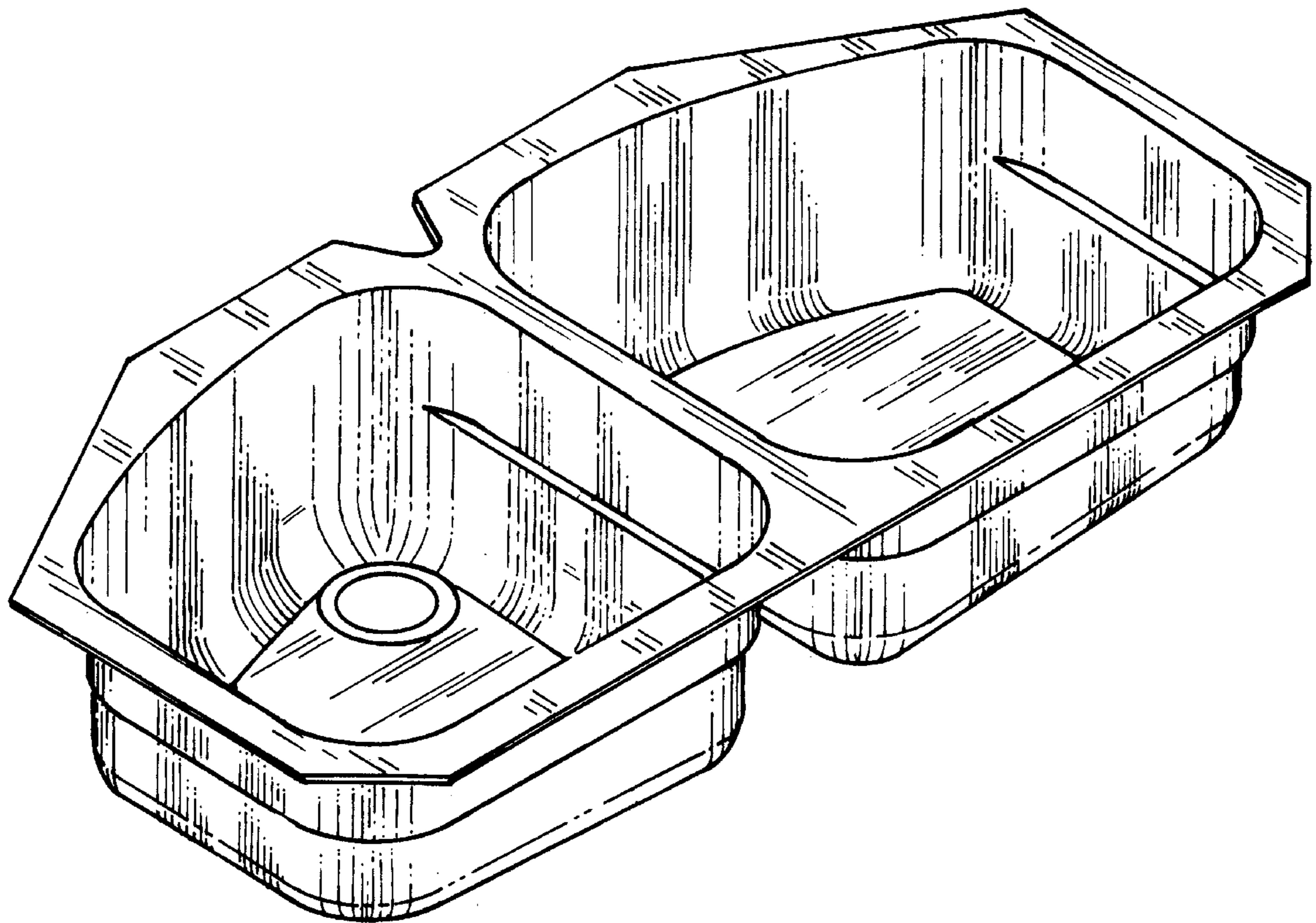
FIG. 4 is a rear elevation view shown on a reduced scale thereof;

FIG. 5 is a left side elevation view shown on a reduced scale thereof;

FIG. 6 is a right side elevation view shown on a reduced scale thereof; and,

FIG. 7 is bottom plan view shown on a reduced scale thereof.

1 Claim, 3 Drawing Sheets



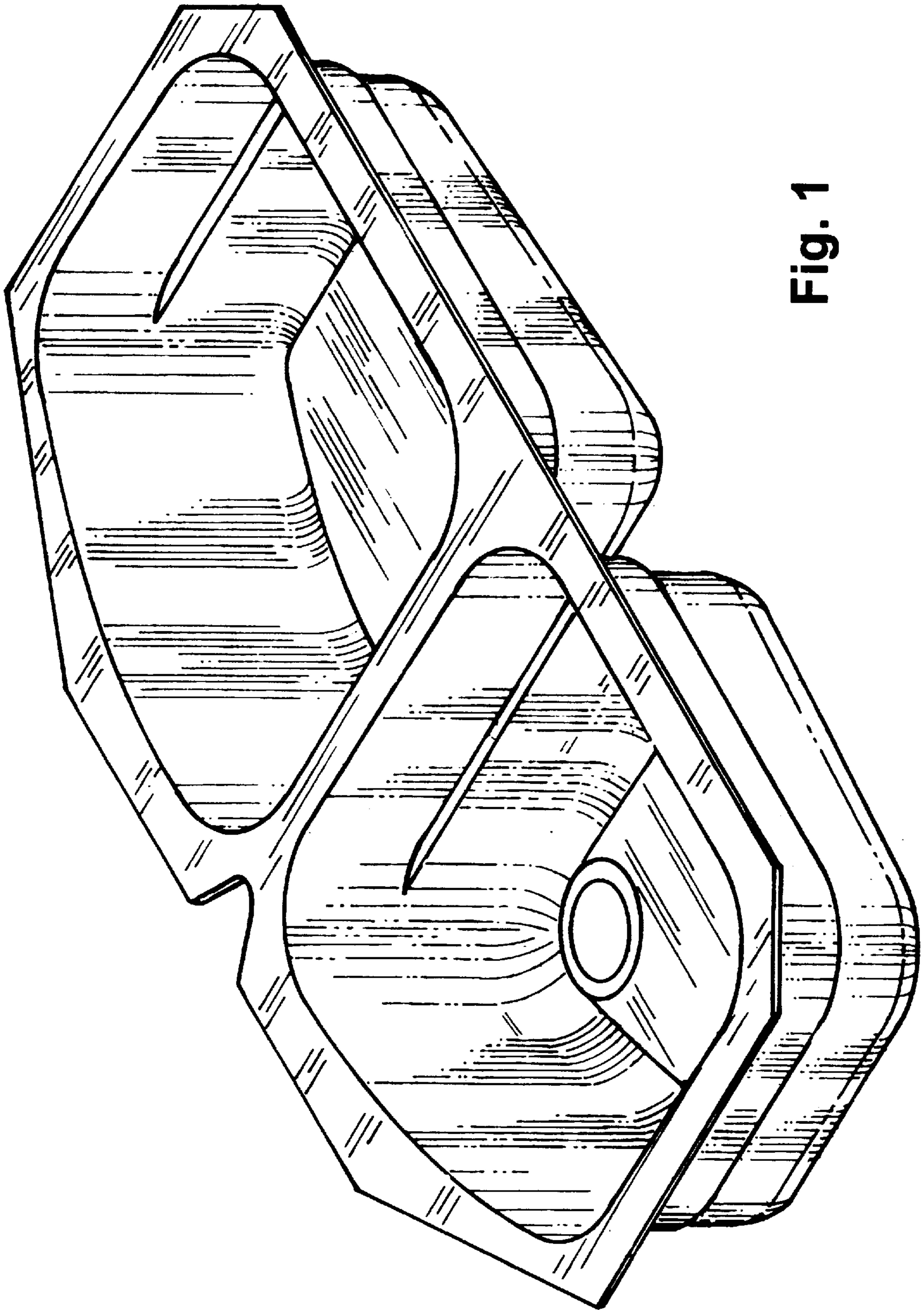


Fig. 1

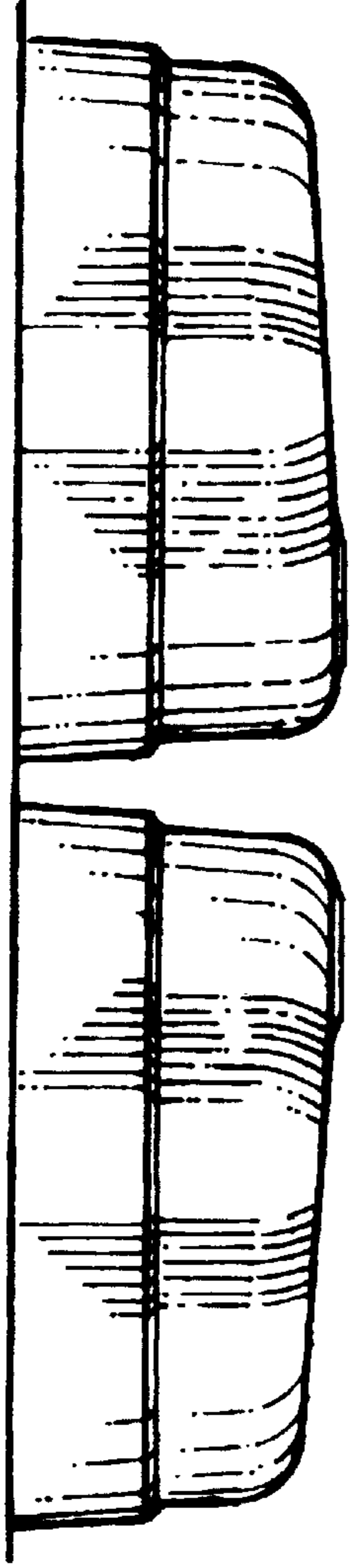


Fig. 3

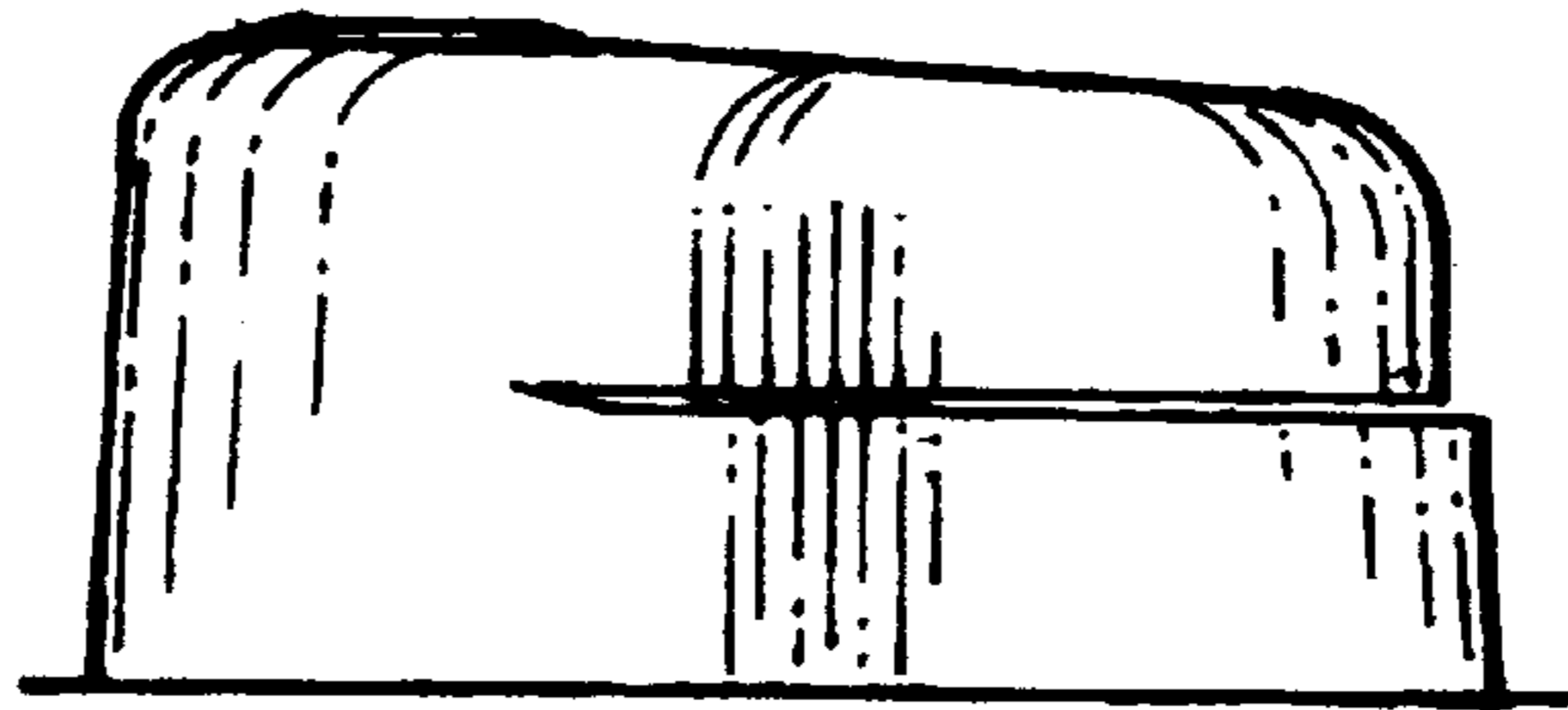


Fig. 5

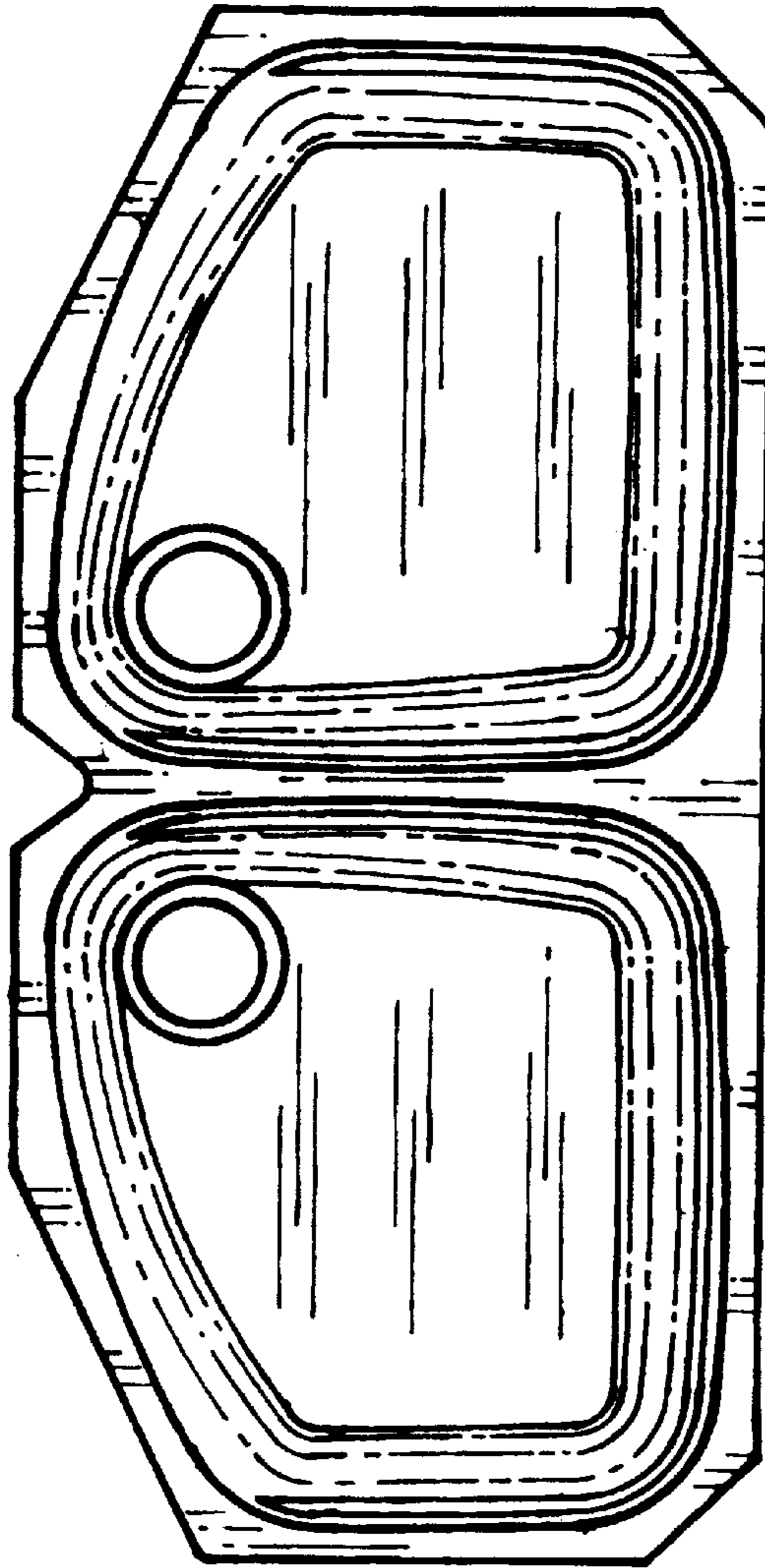


Fig. 2

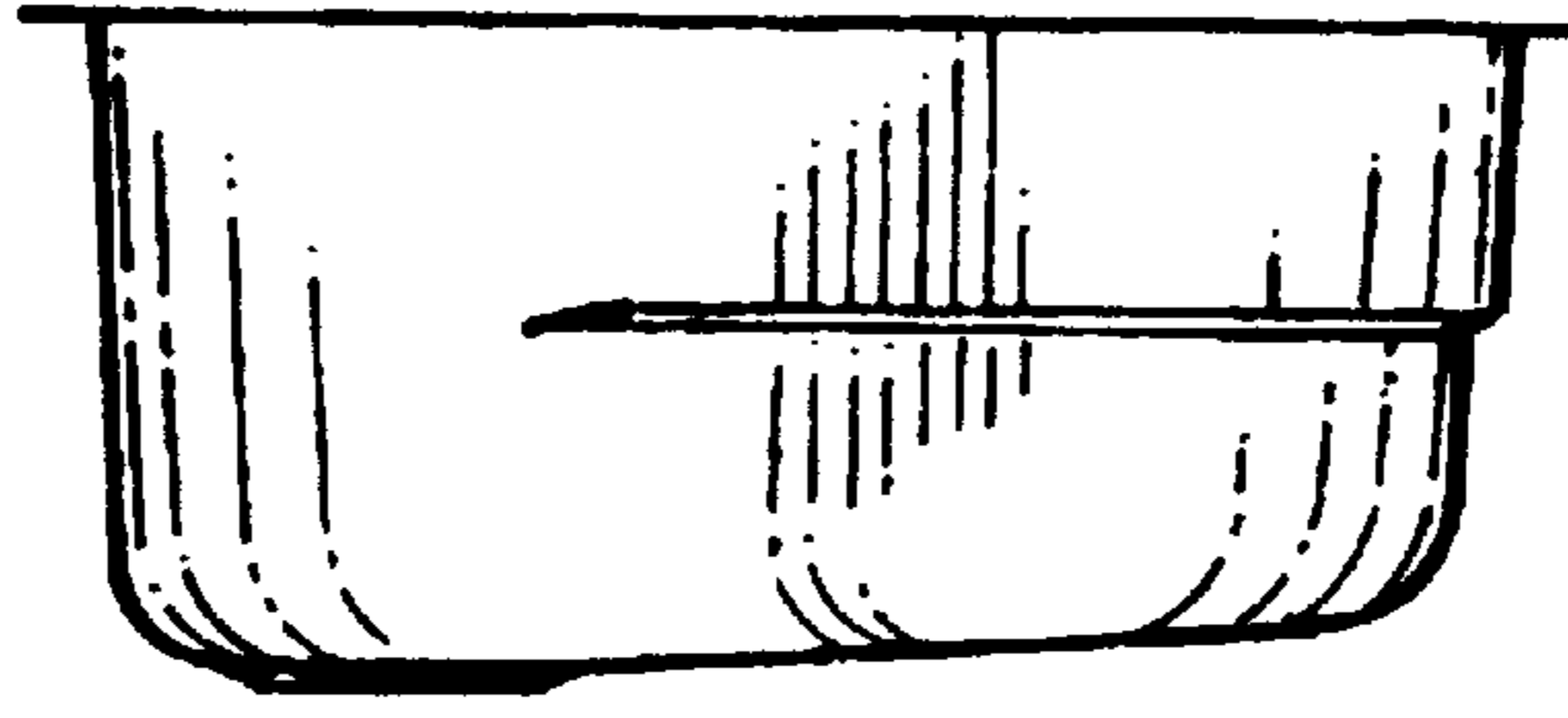


Fig. 6

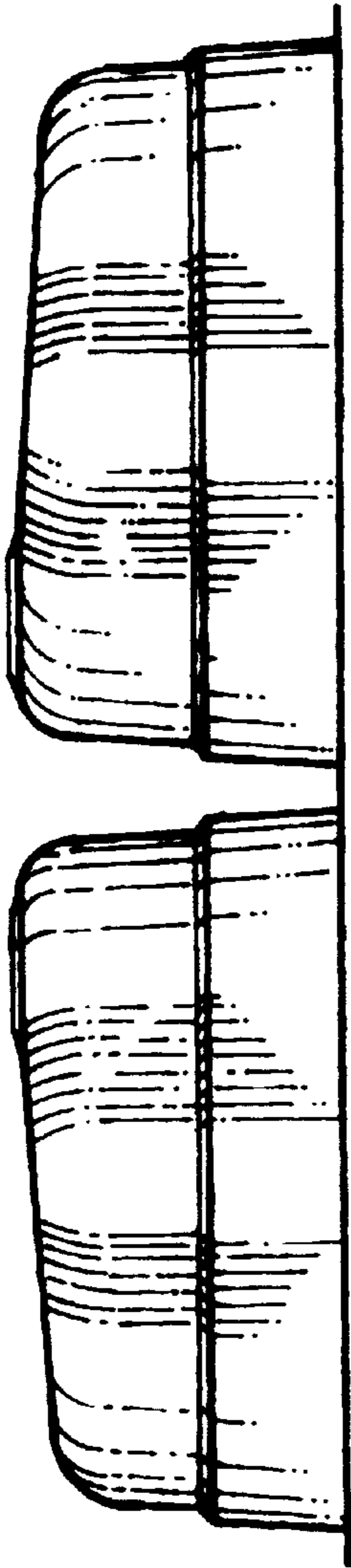


Fig. 4

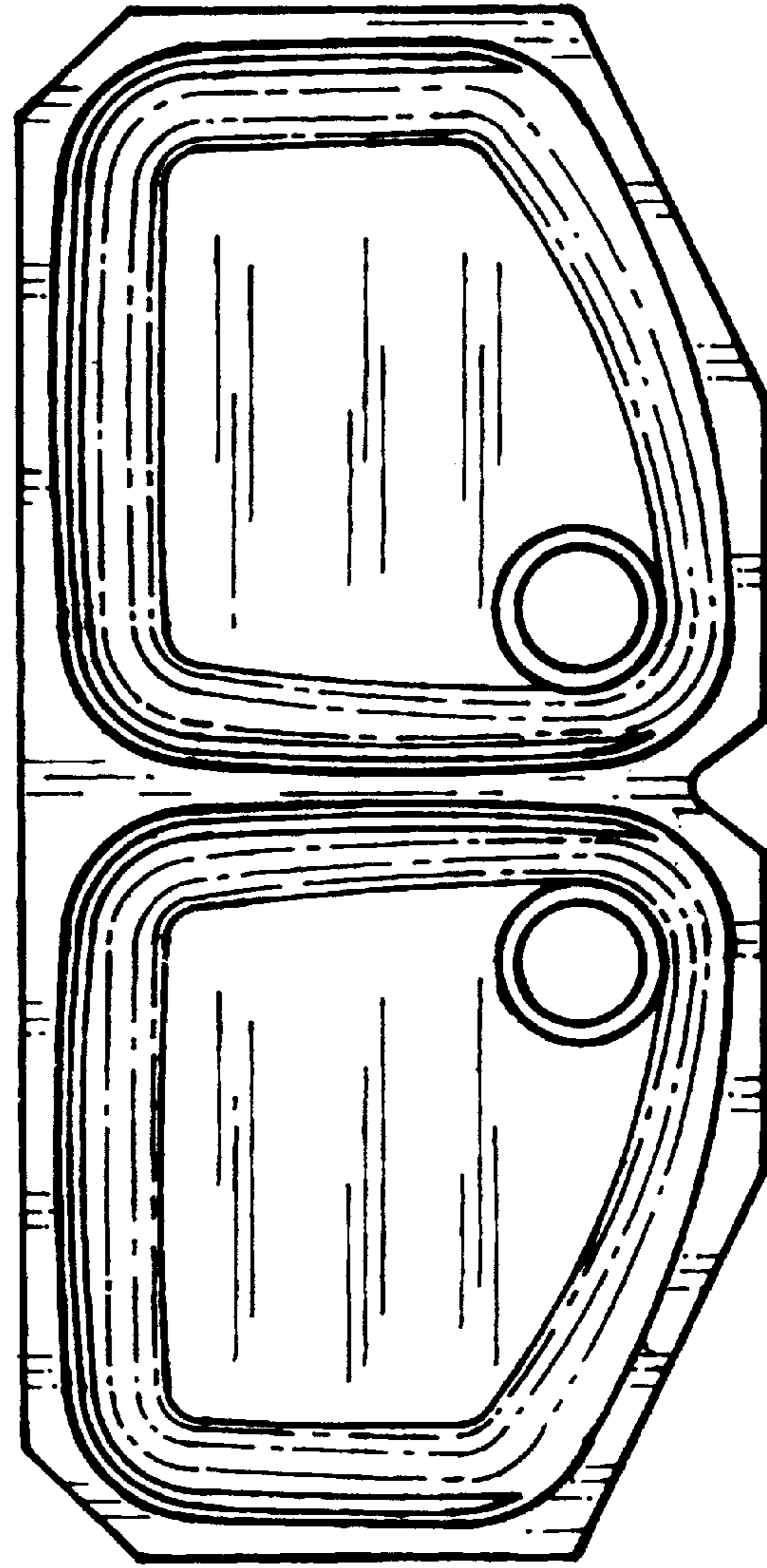


Fig. 7