



US00D465270S

(12) **United States Design Patent**
Gottwald

(10) **Patent No.:** **US D465,270 S**

(45) **Date of Patent:** **** Nov. 5, 2002**

(54) **DECK-MOUNT SPOUT**

(75) **Inventor:** **Adolf Gottwald, Iserlohn (DE)**

(73) **Assignee:** **Friedrich Grohe AG & Co. KG,**
Hemer (DE)

(**) **Term:** **14 Years**

(21) **Appl. No.:** **29/141,115**

(22) **Filed:** **Apr. 29, 2001**

(30) **Foreign Application Priority Data**

Nov. 24, 2000 (DE) 4 00 11 047

(51) **LOC (7) Cl. 23-01**

(52) **U.S. Cl. D23/257; D23/255**

(58) **Field of Search D23/238-257;**
4/675-678; 137/801

(56) **References Cited**

U.S. PATENT DOCUMENTS

D311,438 S * 10/1990 Strignano D23/242

D350,183 S * 8/1994 Joerger D23/242

D420,430 S * 2/2000 Lobermeier D23/238

D445,875 S * 7/2001 Fleischmann D23/238

* cited by examiner

Primary Examiner—Louis S. Zarfes

Assistant Examiner—Gregory Andoll

(74) *Attorney, Agent, or Firm*—Herbert Dubno

(57) **CLAIM**

The ornamental design for a deck-mount spout, as shown and described.

DESCRIPTION

FIG. 1 is a top, front, left-side perspective view of a deck-mount spout showing my new design;

FIG. 2 is a front elevational view thereof;

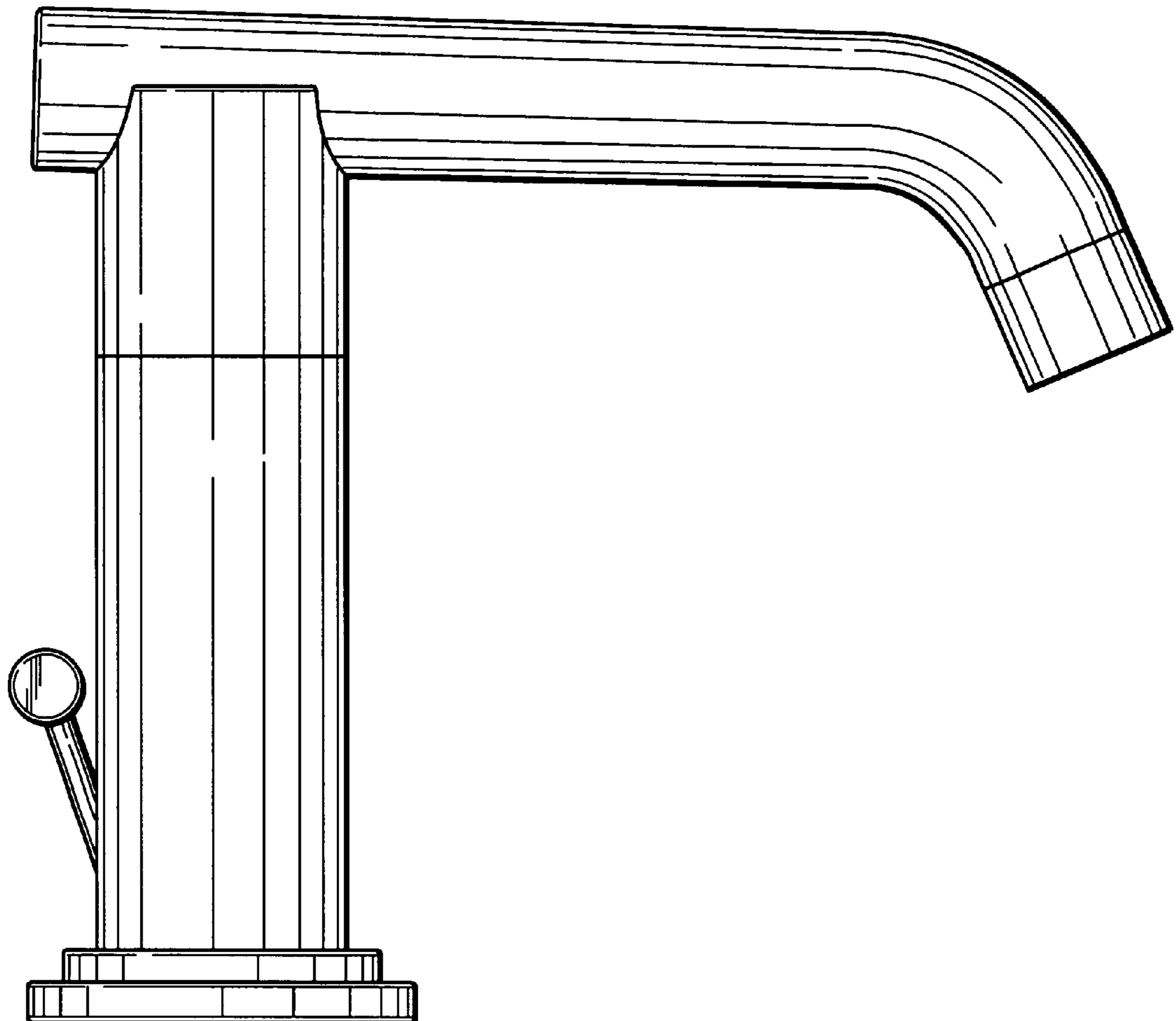
FIG. 3 is a rear elevational view thereof;

FIG. 4 is a top plan view thereof;

FIG. 5 is a left side elevational view thereof, the right side view being mirror symmetrical thereto; and,

FIG. 6 is a bottom plan view thereof.

1 Claim, 3 Drawing Sheets



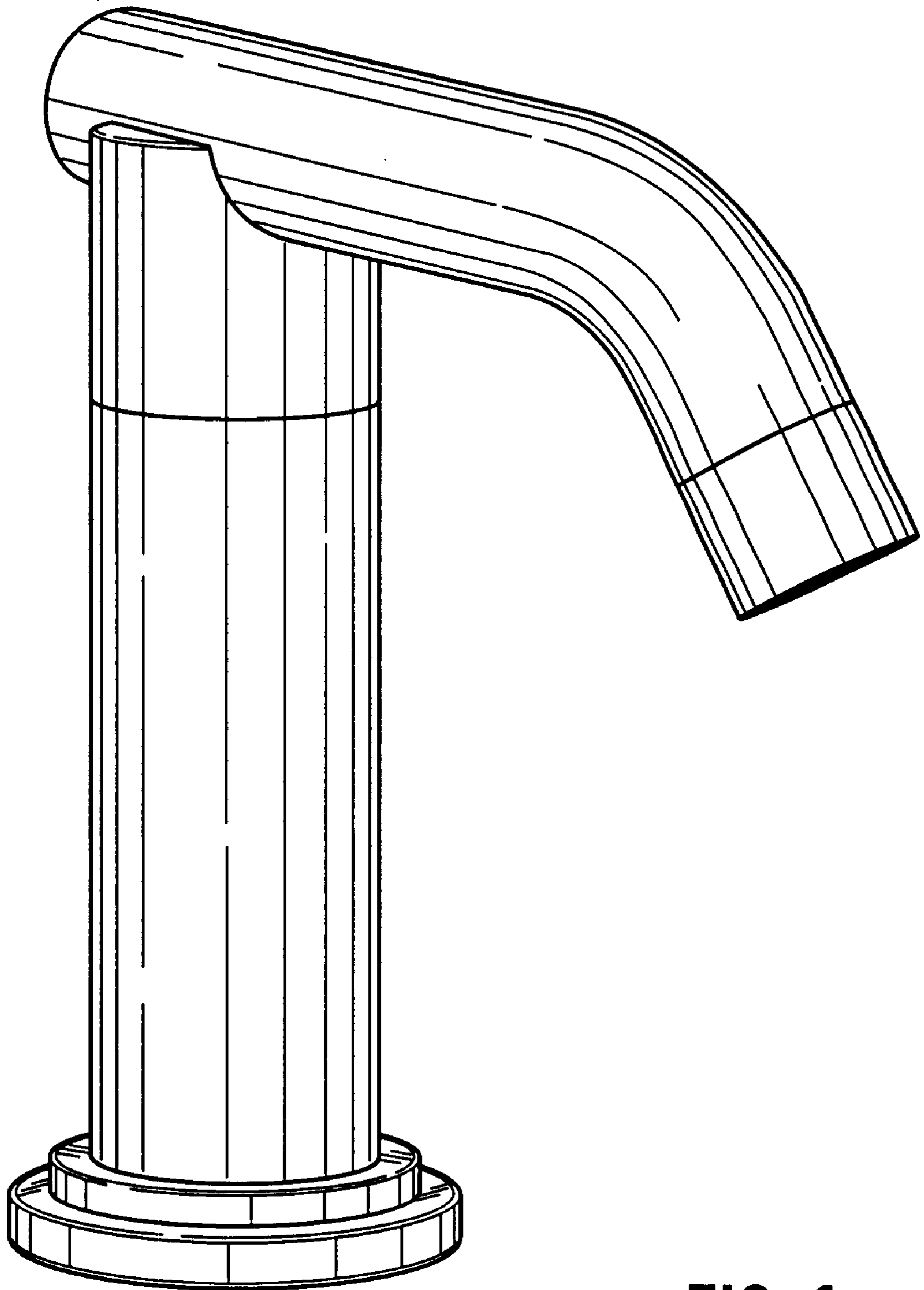


FIG. 1

FIG. 2

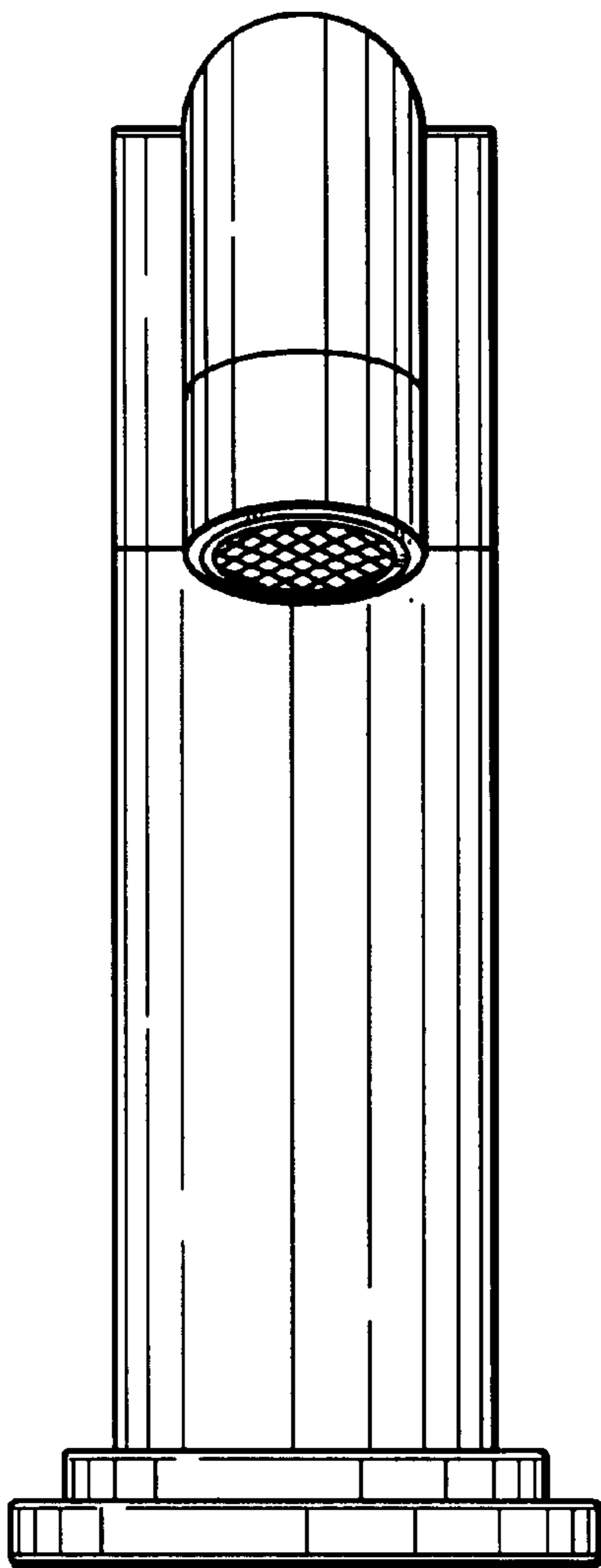


FIG. 3

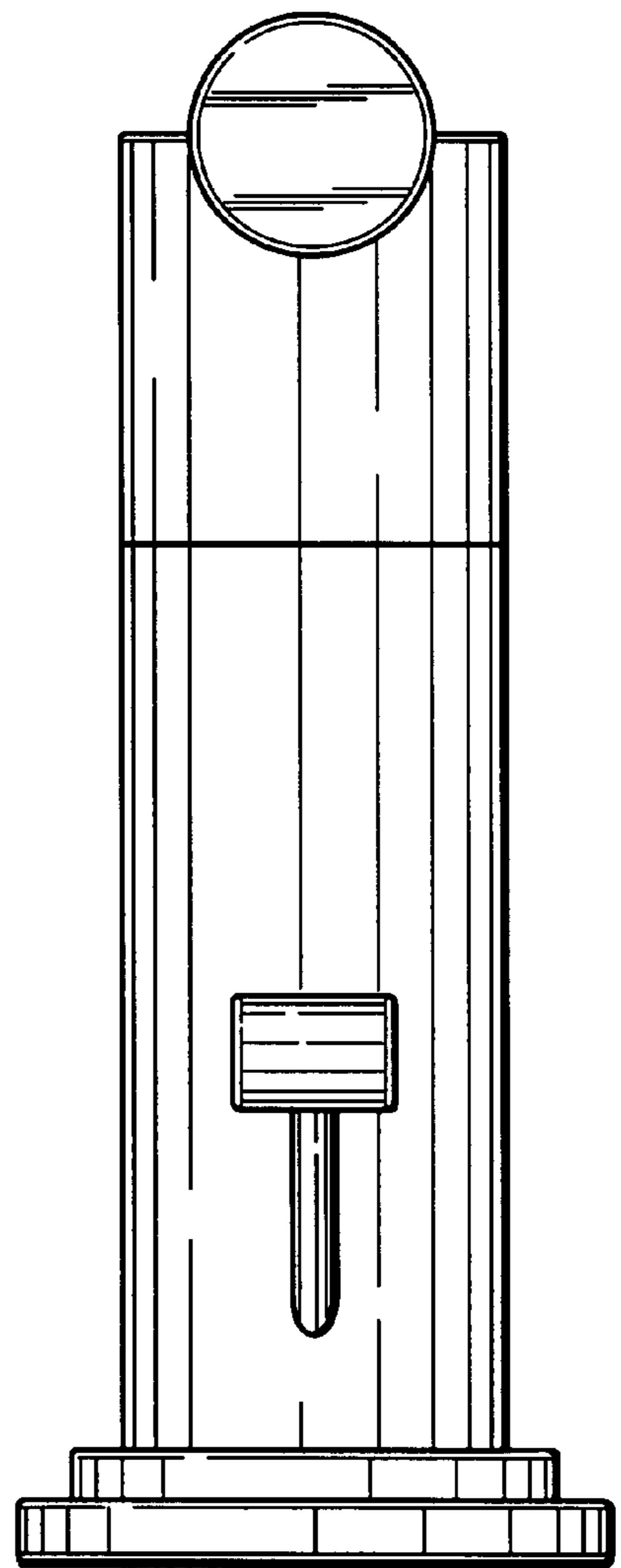


FIG. 4

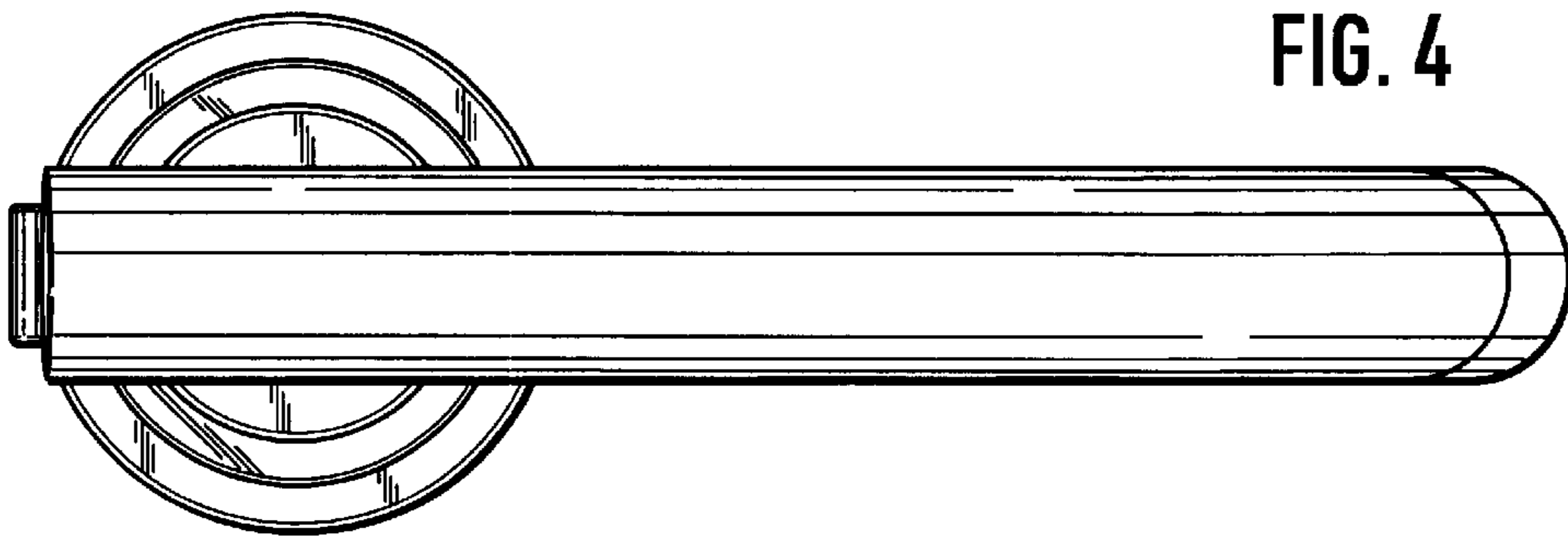


FIG. 5

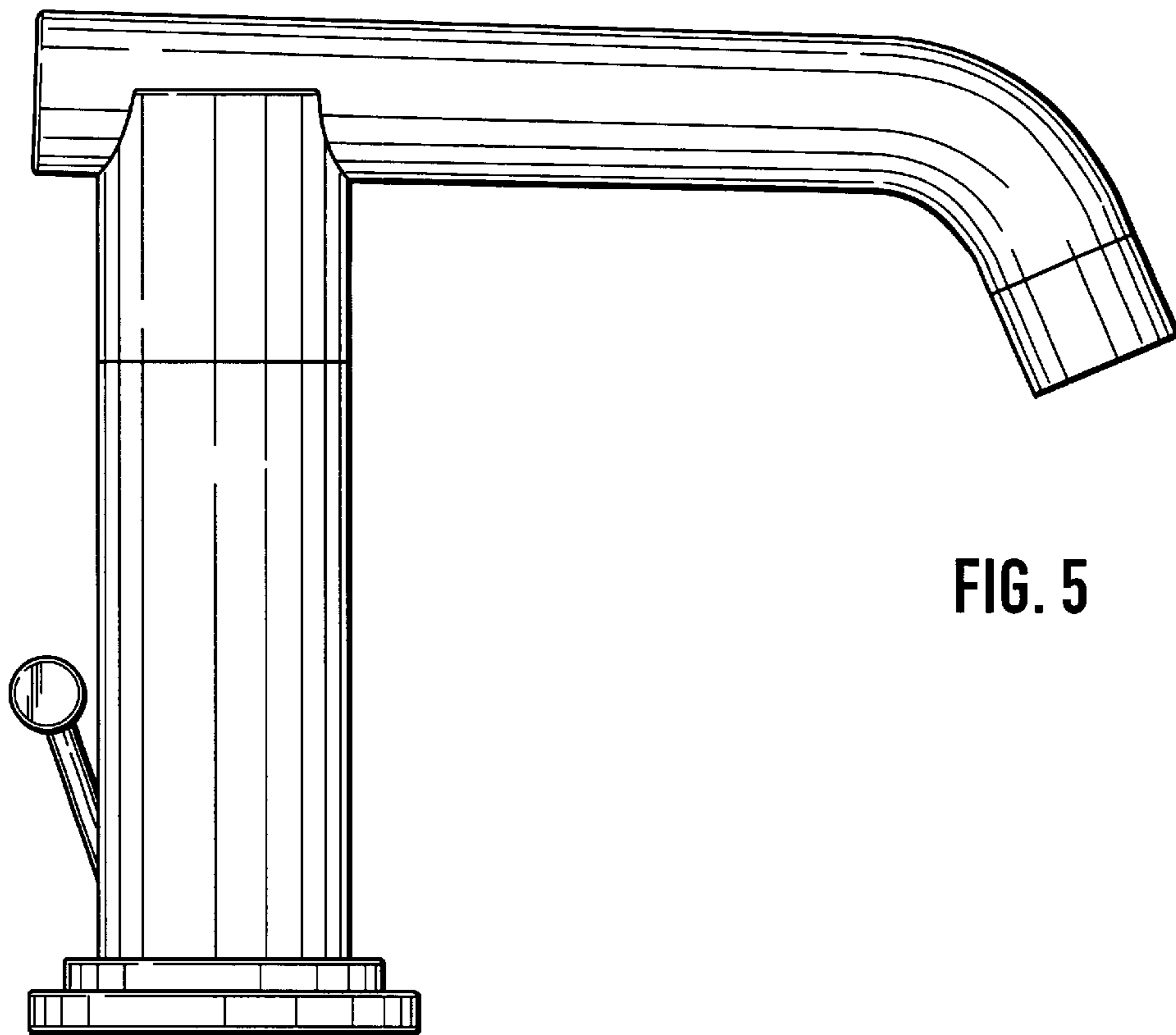


FIG. 6

