



US00D465269S

(12) **United States Design Patent**
Hsu

(10) **Patent No.:** **US D465,269 S**

(45) **Date of Patent:** **** Nov. 5, 2002**

(54) **SPOUT FOR A FAUCET**

D445,875 S * 7/2001 Fleischmann D23/238

* cited by examiner

(75) **Inventor:** **Robin Hsu**, Taichung Export Processing Zone (TW)

Primary Examiner—Louis S. Zarfes

Assistant Examiner—Gregory Andoll

(73) **Assignee:** **Globe Union Industrial Corp.**, Taichung Export Processing Zone (TW)

(74) *Attorney, Agent, or Firm*—Morgan & Finnegan, LLP

(**) **Term:** **14 Years**

(57) **CLAIM**

The ornamental design for spout for a faucet, as shown and described.

(21) **Appl. No.:** **29/141,764**

DESCRIPTION

(22) **Filed:** **May 11, 2001**

FIG. 1 is a perspective view of spout for a faucet showing my new design;

(51) **LOC (7) Cl.** **23-01**

FIG. 2 is a front elevational view thereof;

(52) **U.S. Cl.** **D23/255; D23/238**

FIG. 3 is a rear elevational view thereof;

(58) **Field of Search** D23/238–257, D23/304; 4/675–678; 16/110 R–121; 137/801

FIG. 4 is a left side elevational view thereof;

FIG. 5 is a right side elevational view thereof;

FIG. 6 is a top plan view thereof;

(56) **References Cited**

FIG. 7 is a bottom plan view thereof; and,

U.S. PATENT DOCUMENTS

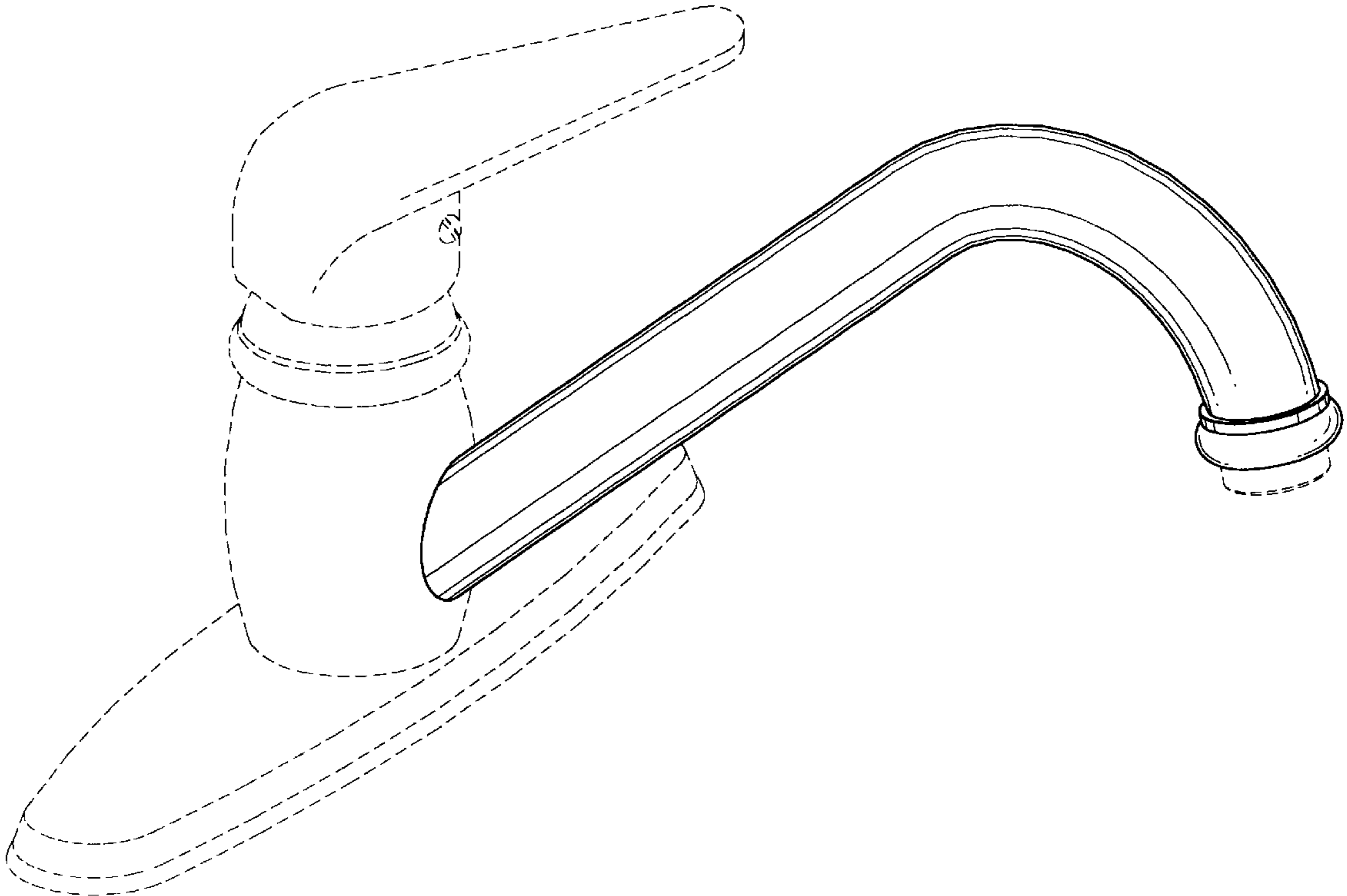
FIG. 8 is another perspective view thereof, shown in an environment. The broken lines in FIG. 8 are for illustrative purposes only and form no part of the claimed design.

D25,977 S * 8/1896 Horton D23/255

D301,605 S * 6/1989 Jans D23/255

D431,072 S * 9/2000 Milrud et al. D23/304

1 Claim, 5 Drawing Sheets



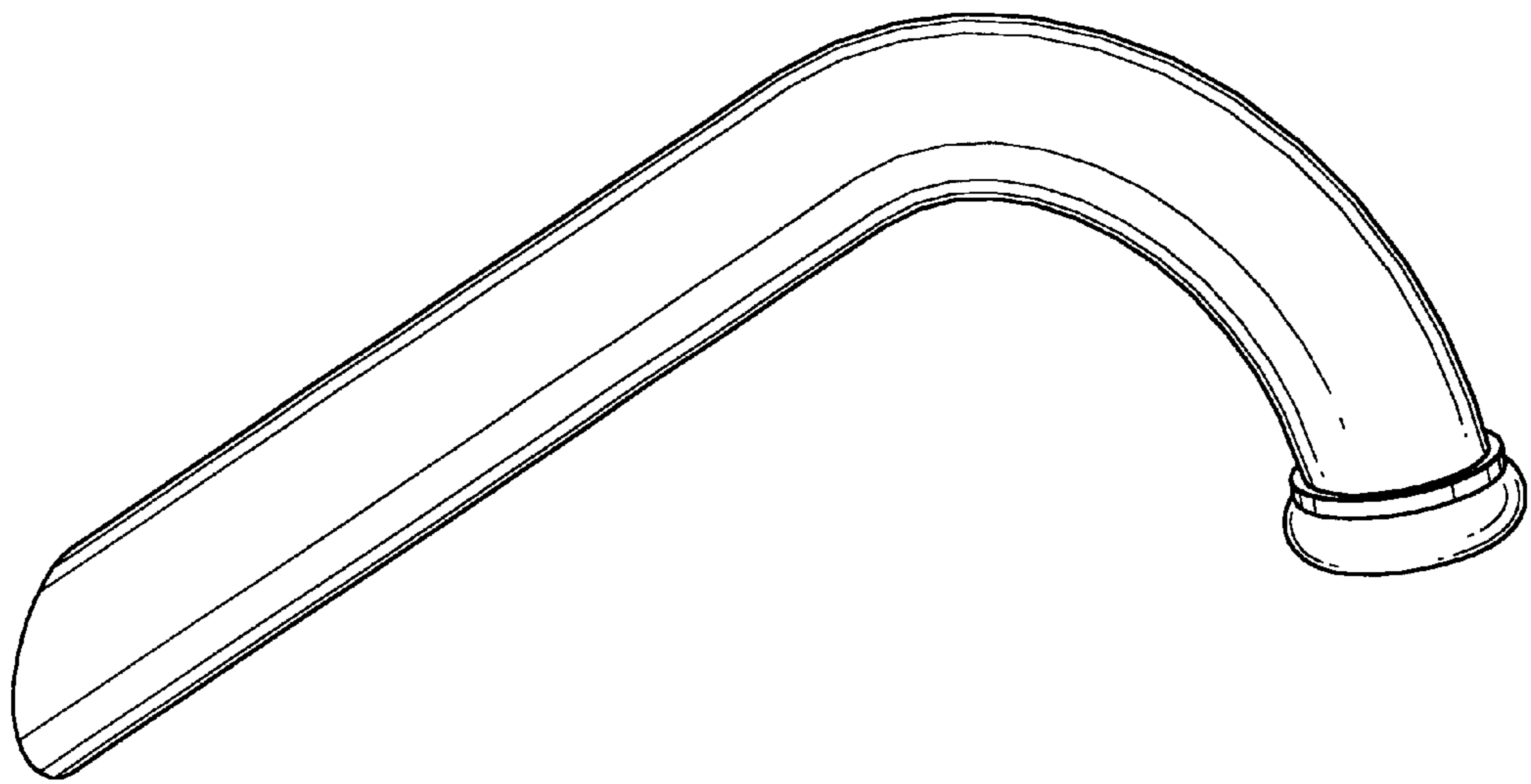


FIG. 1

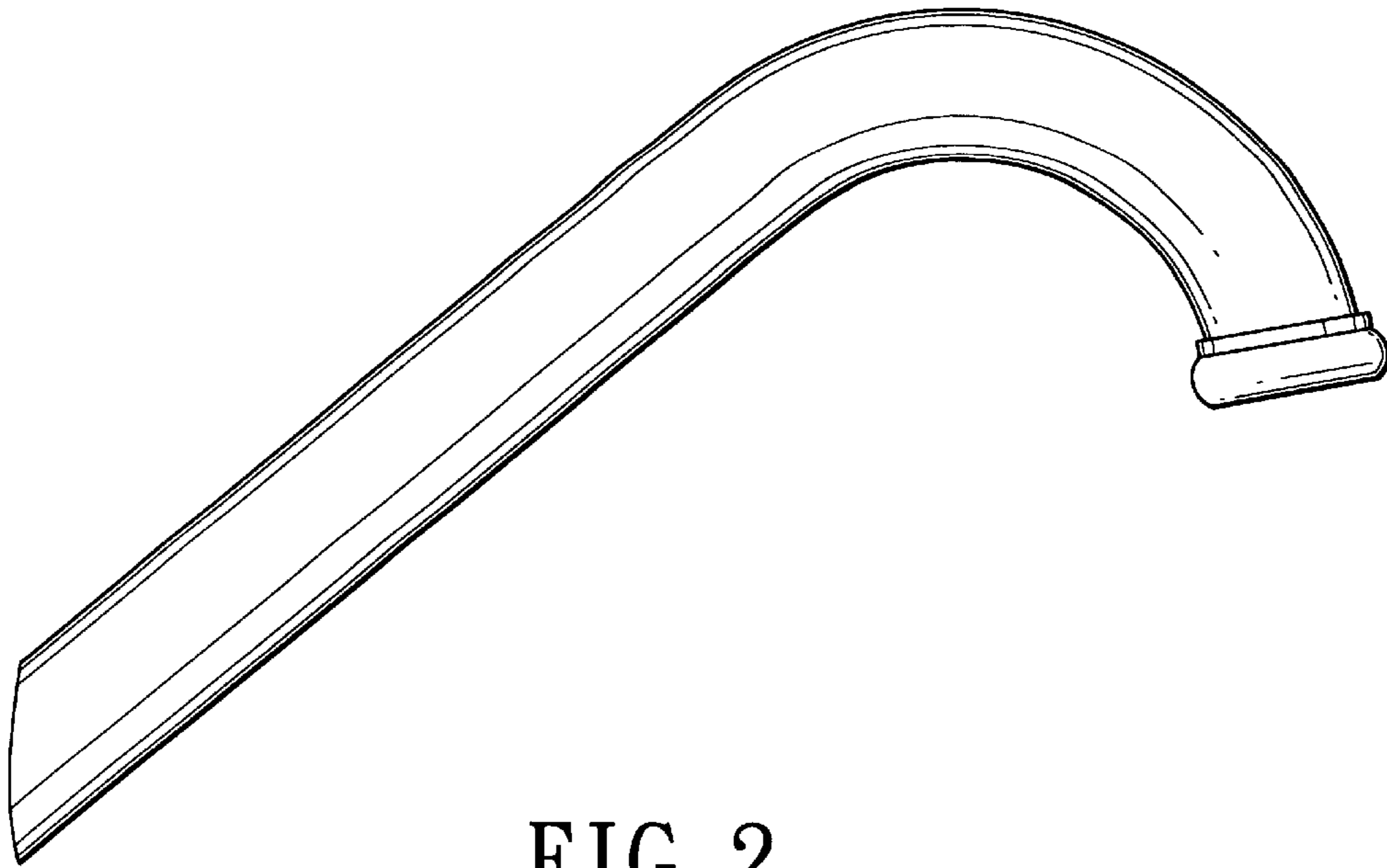


FIG. 2

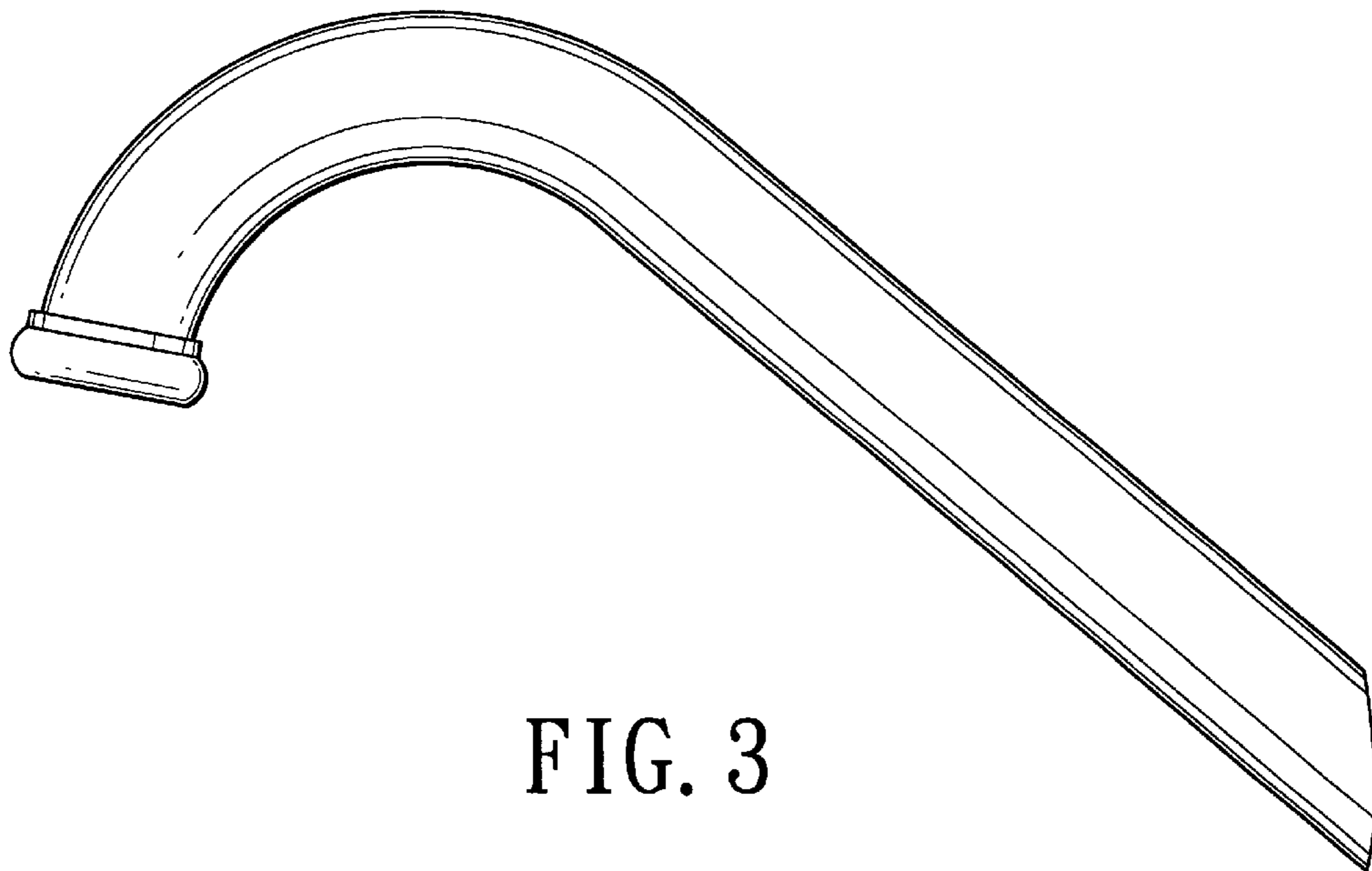


FIG. 3

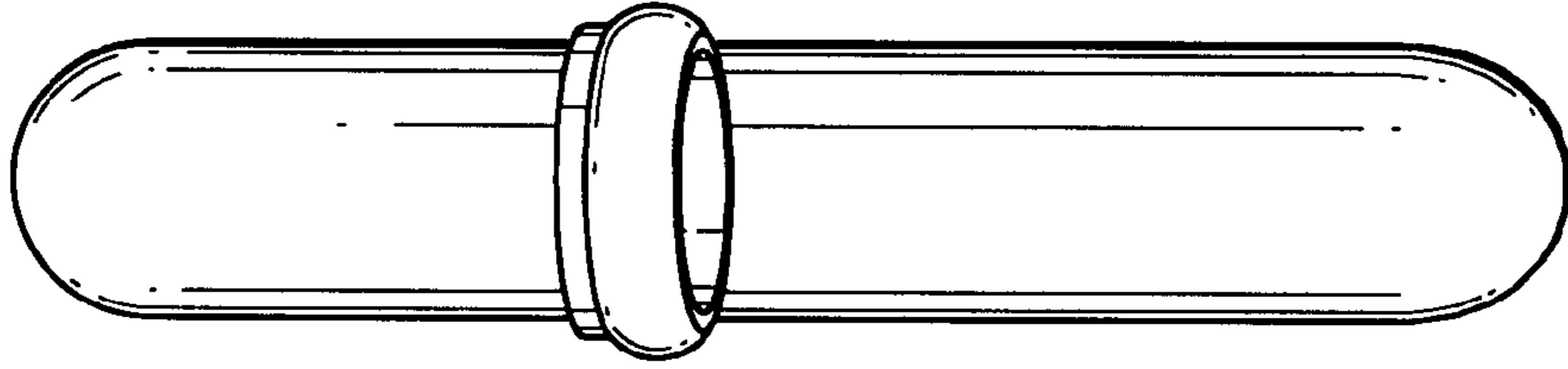


FIG. 5

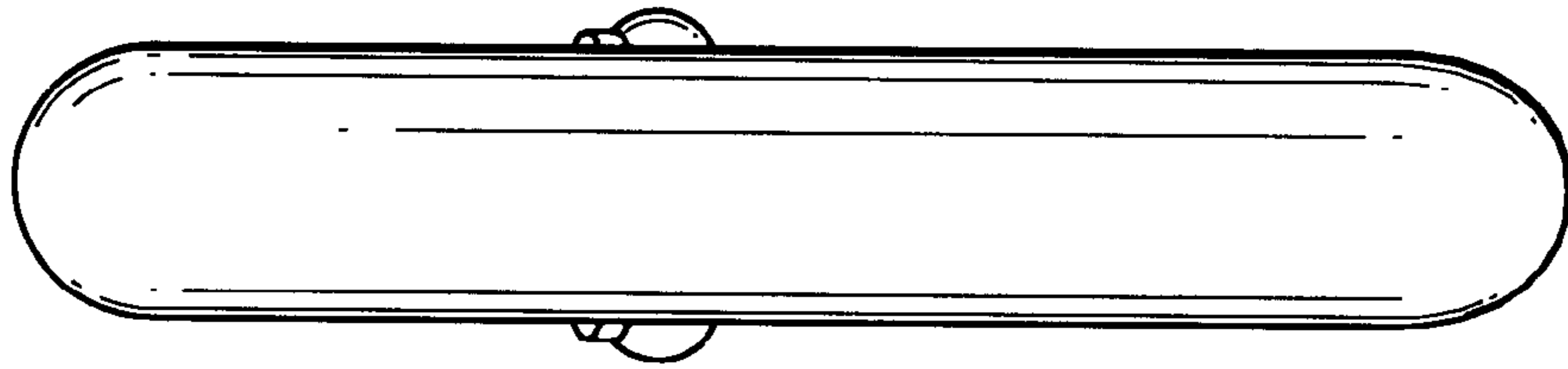


FIG. 4

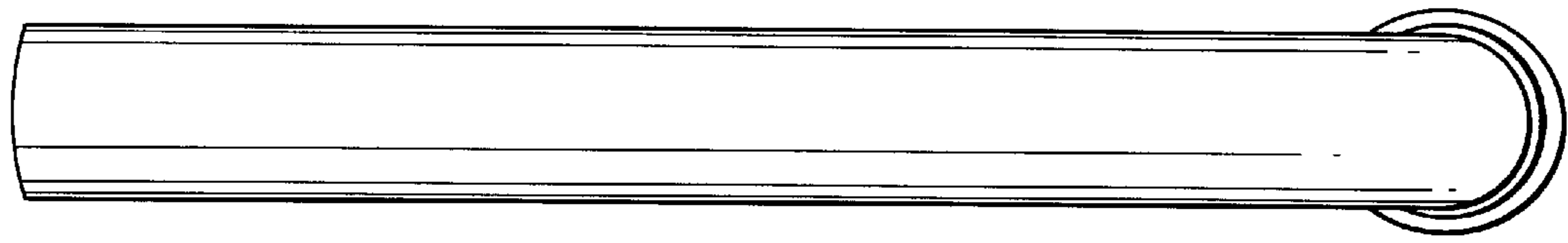


FIG. 6

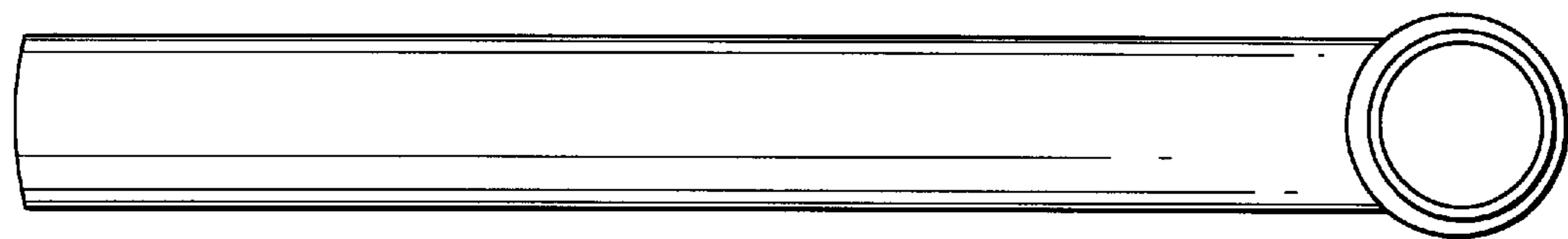


FIG. 7

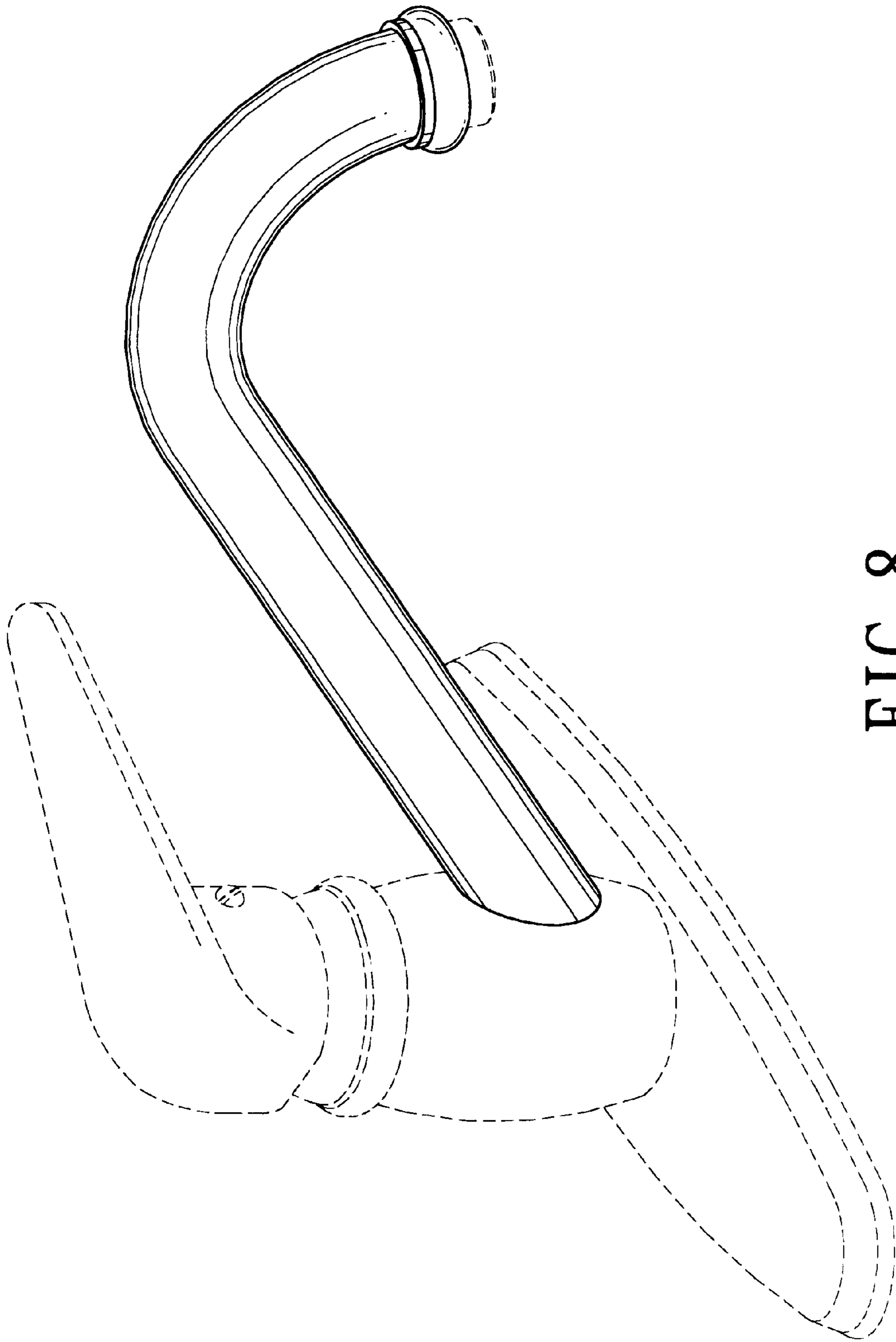


FIG. 8