



US00D465267S

(12) **United States Design Patent**
Wurth

(10) **Patent No.:** **US D465,267 S**

(45) **Date of Patent:** **** Nov. 5, 2002**

(54) **FAUCET**

(75) **Inventor:** **Michael E. Wurth**, Chagrin Falls, OH (US)

(73) **Assignee:** **Moen Incorporated**, North Olmsted, OH (US)

(**) **Term:** **14 Years**

(21) **Appl. No.:** **29/141,742**

(22) **Filed:** **May 14, 2001**

(51) **LOC (7) Cl.** **23-01**

(52) **U.S. Cl.** **D23/241**

(58) **Field of Search** **D23/238-257;**
4/675-678; 16/110 R-121; D8/300-308

(56) **References Cited**

U.S. PATENT DOCUMENTS

D140,556 S	3/1945	Stanitz	
D207,984 S	* 6/1967	Maguire D23/242
D288,836 S	3/1987	Yost	
D300,239 S	3/1989	Spangler	
D309,006 S	7/1990	Spangler	
D323,549 S	1/1992	Haug et al.	
D324,723 S	3/1992	Chretien	
D325,423 S	4/1992	Kolada et al.	
D325,424 S	4/1992	Dannenberg	
D346,852 S	5/1994	Hill	
D348,307 S	6/1994	Gottwald	
D349,153 S	7/1994	Sauter et al.	
D361,827 S	8/1995	Doughty et al.	
D370,053 S	5/1996	Hill et al.	
D376,413 S	12/1996	Kergoet	

D381,397 S	7/1997	Steffes	
D384,400 S	9/1997	Doughty et al.	
D387,136 S	12/1997	Oswaks et al.	
D389,897 S	1/1998	Delker	
D390,922 S	2/1998	Oswaks et al.	
D407,798 S	4/1999	Pitsch	
D408,070 S	4/1999	Hsu	
D420,104 S	2/2000	Lobermeier	
D421,484 S	3/2000	Pitsch	
D424,169 S	* 5/2000	Snyder et al. D23/238
D429,797 S	8/2000	Kolada	
D433,484 S	11/2000	Spangler	
D433,731 S	11/2000	Kolada	
D435,636 S	12/2000	Kolada	
D445,483 S	* 7/2001	Dretzka et al. D23/241

* cited by examiner

Primary Examiner—Louis S. Zarfes

Assistant Examiner—Gregory Andoll

(74) *Attorney, Agent, or Firm*—Cook, Alex, McFarron, Manzo, Cummings & Mehler, Ltd.

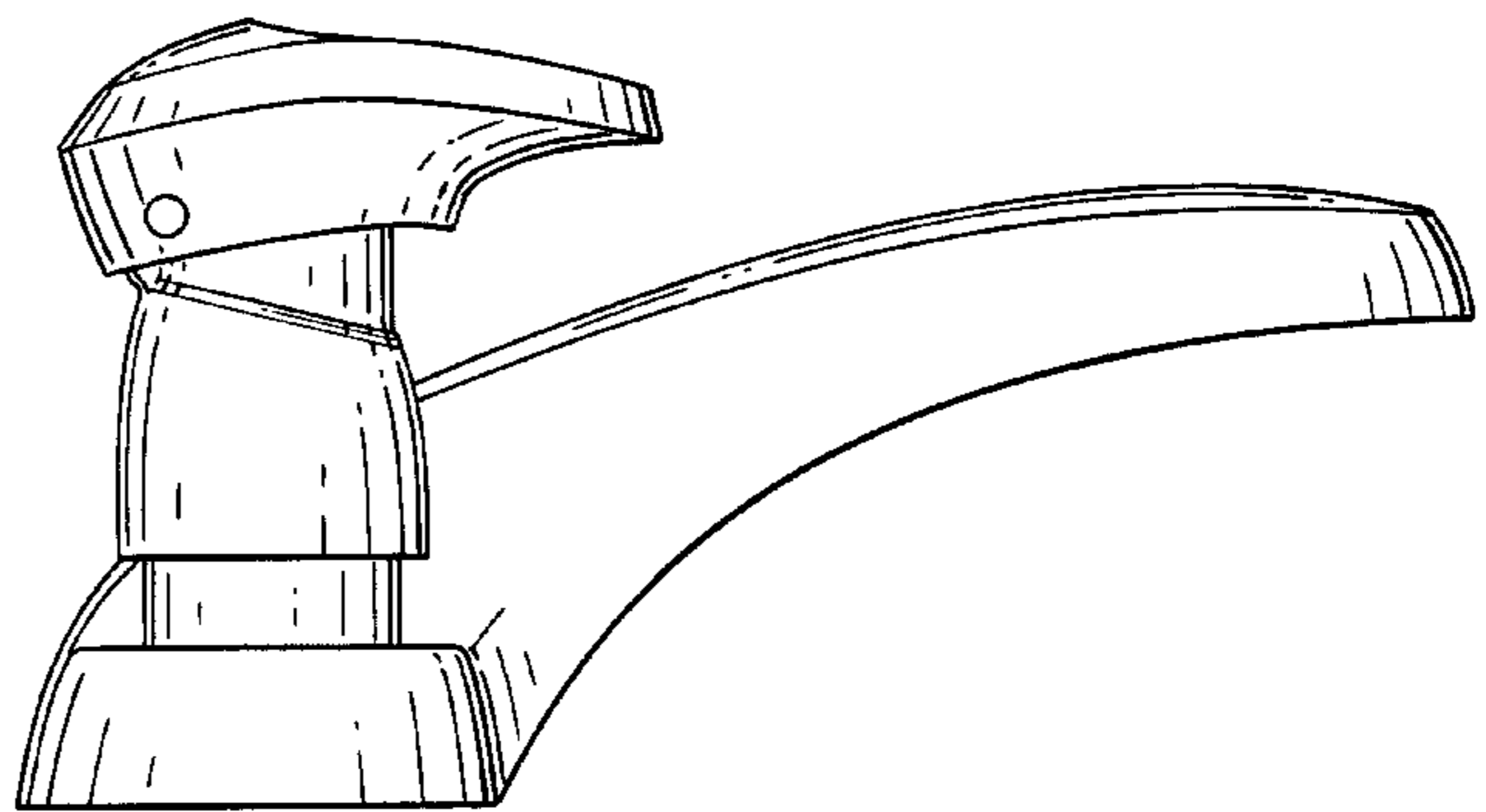
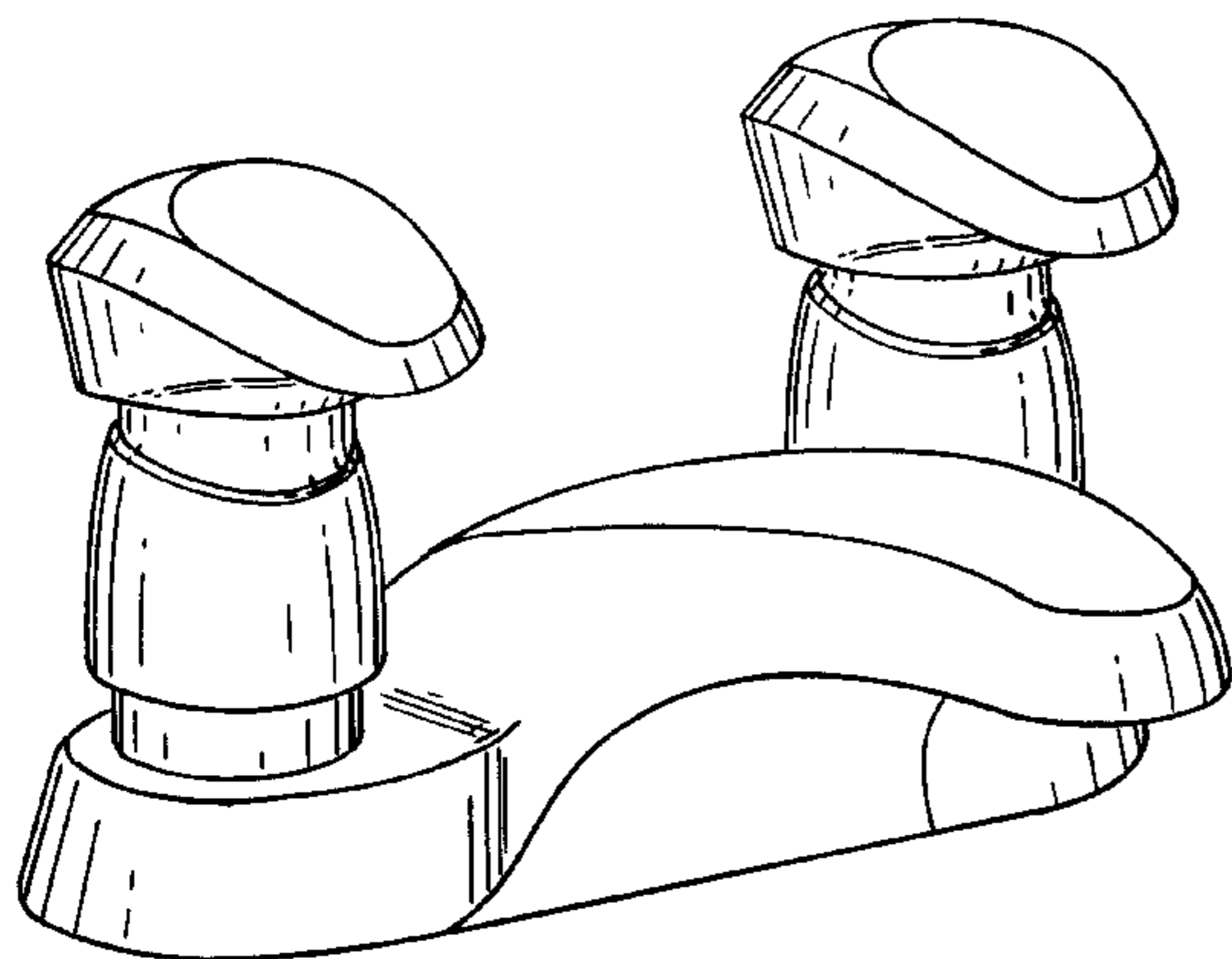
(57) **CLAIM**

The ornamental design for a faucet, as shown and described.

DESCRIPTION

FIG. 1 is a front perspective view of my new design for a faucet;
FIG. 2 is a left side view thereof, the right side being the same as the left side;
FIG. 3 is a front view thereof;
FIG. 4 is a top view thereof;
FIG. 5 is a rear view thereof; and,
FIG. 6 is a bottom view thereof.

1 Claim, 3 Drawing Sheets



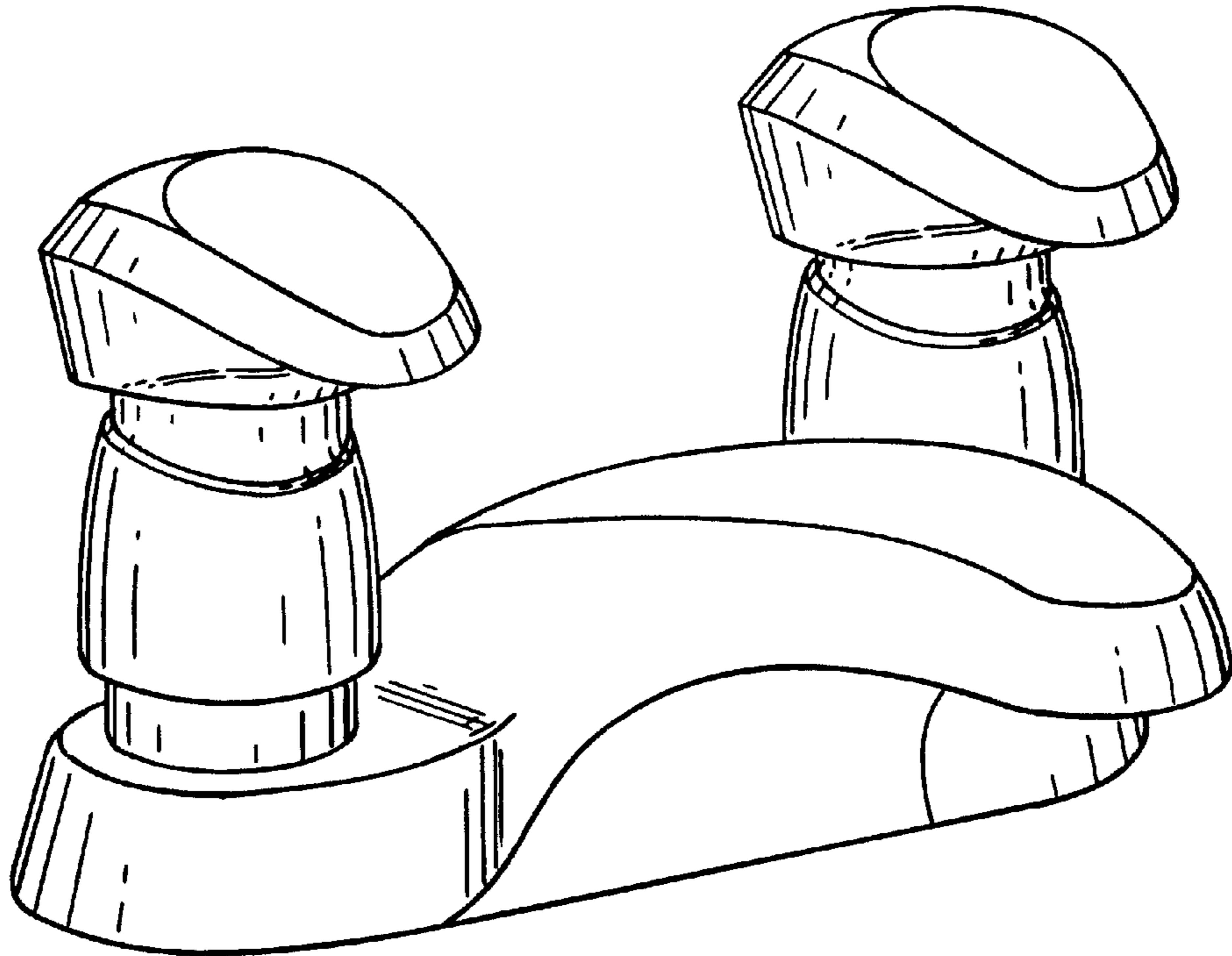


Fig. 1.

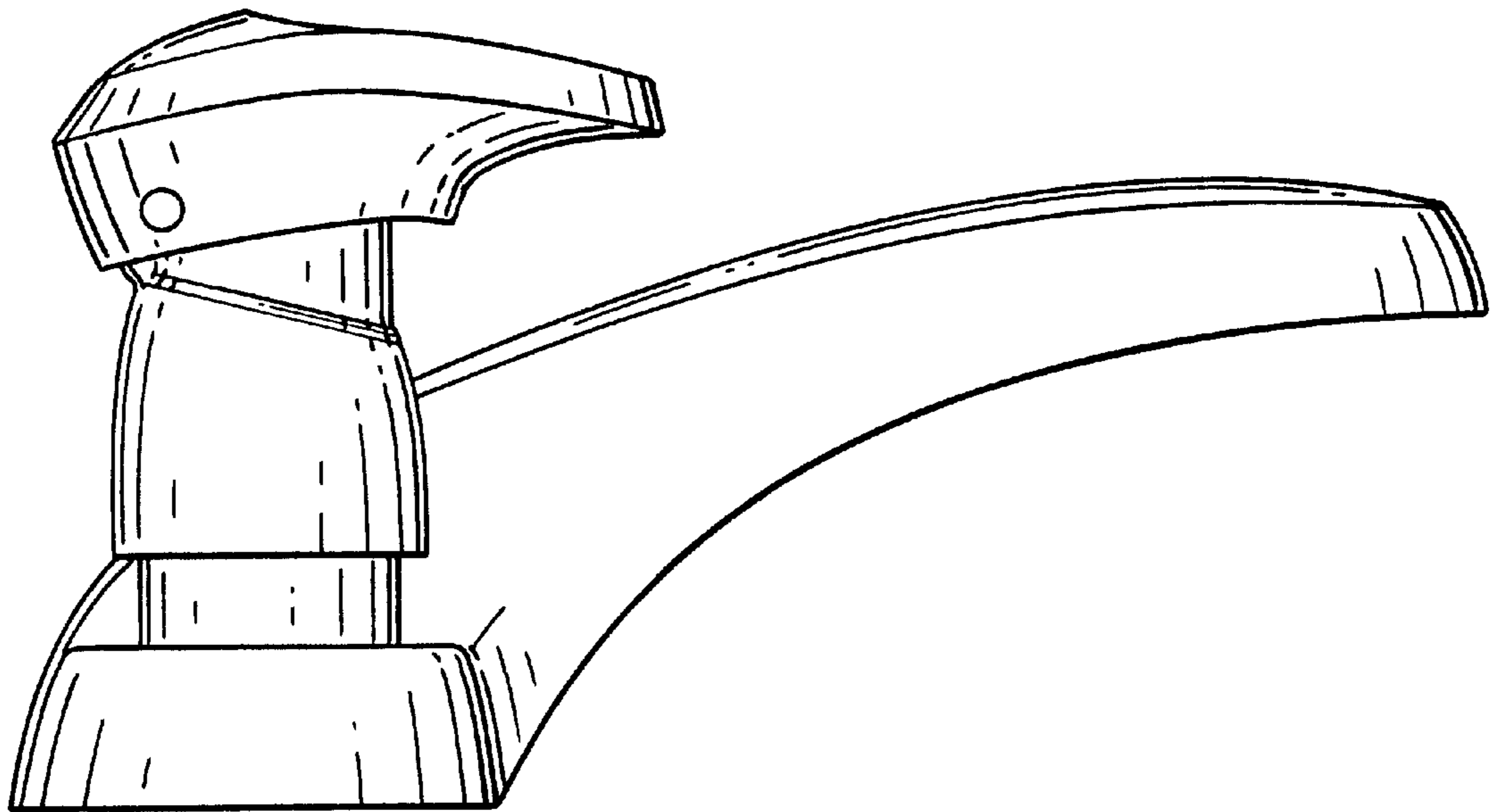


Fig. 2.

FIG. 3.

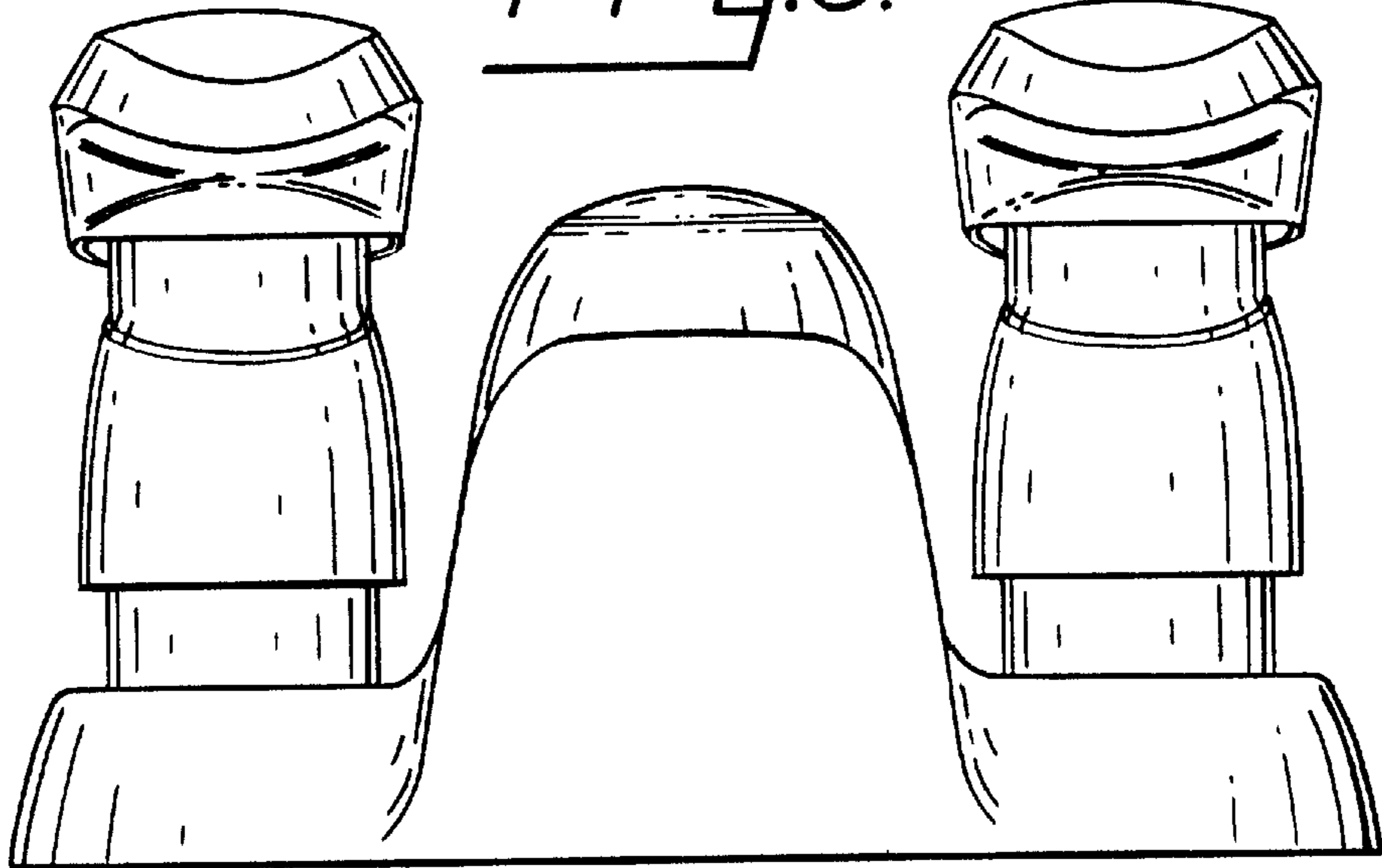


FIG. 4.

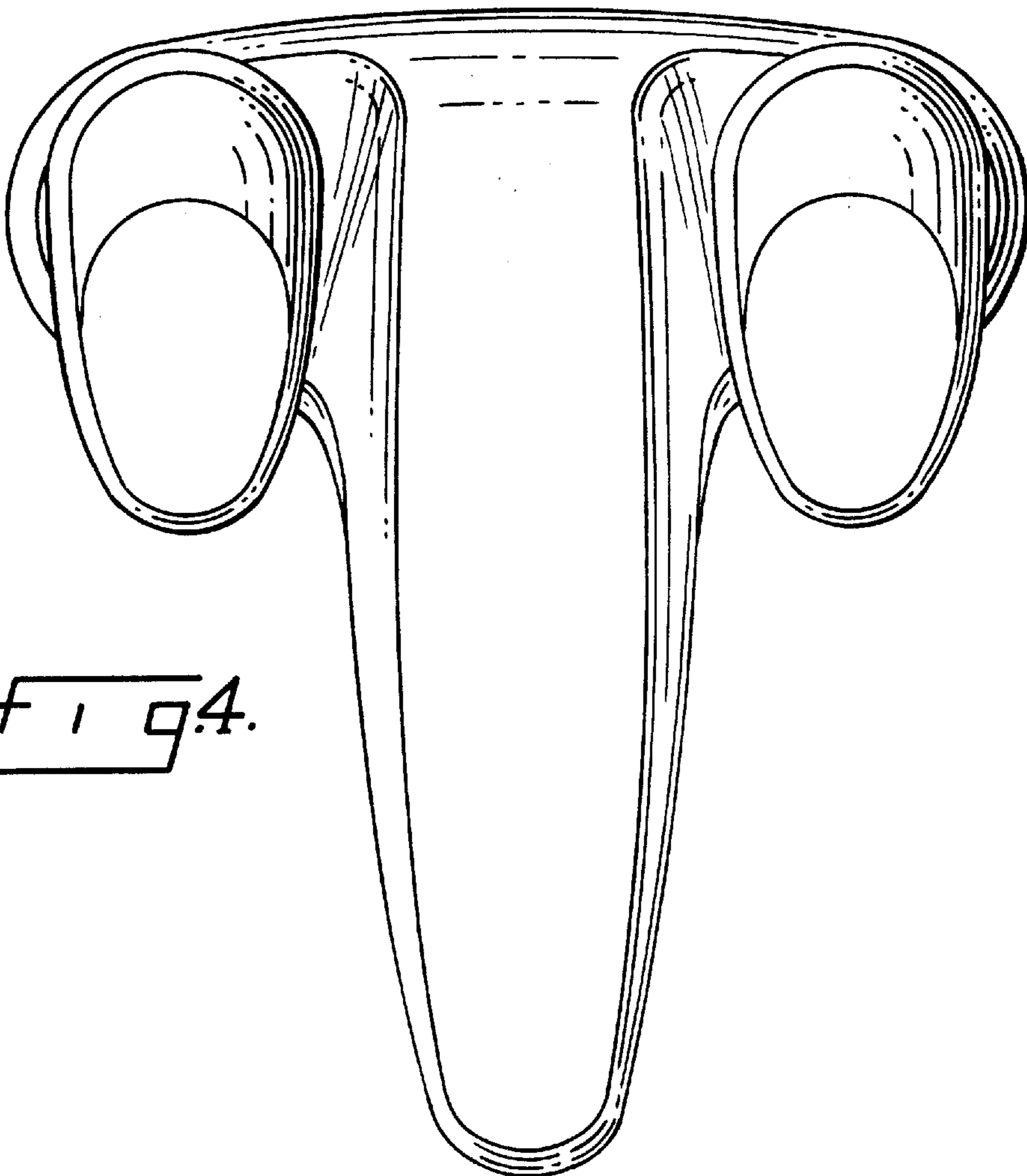


FIG. 5.

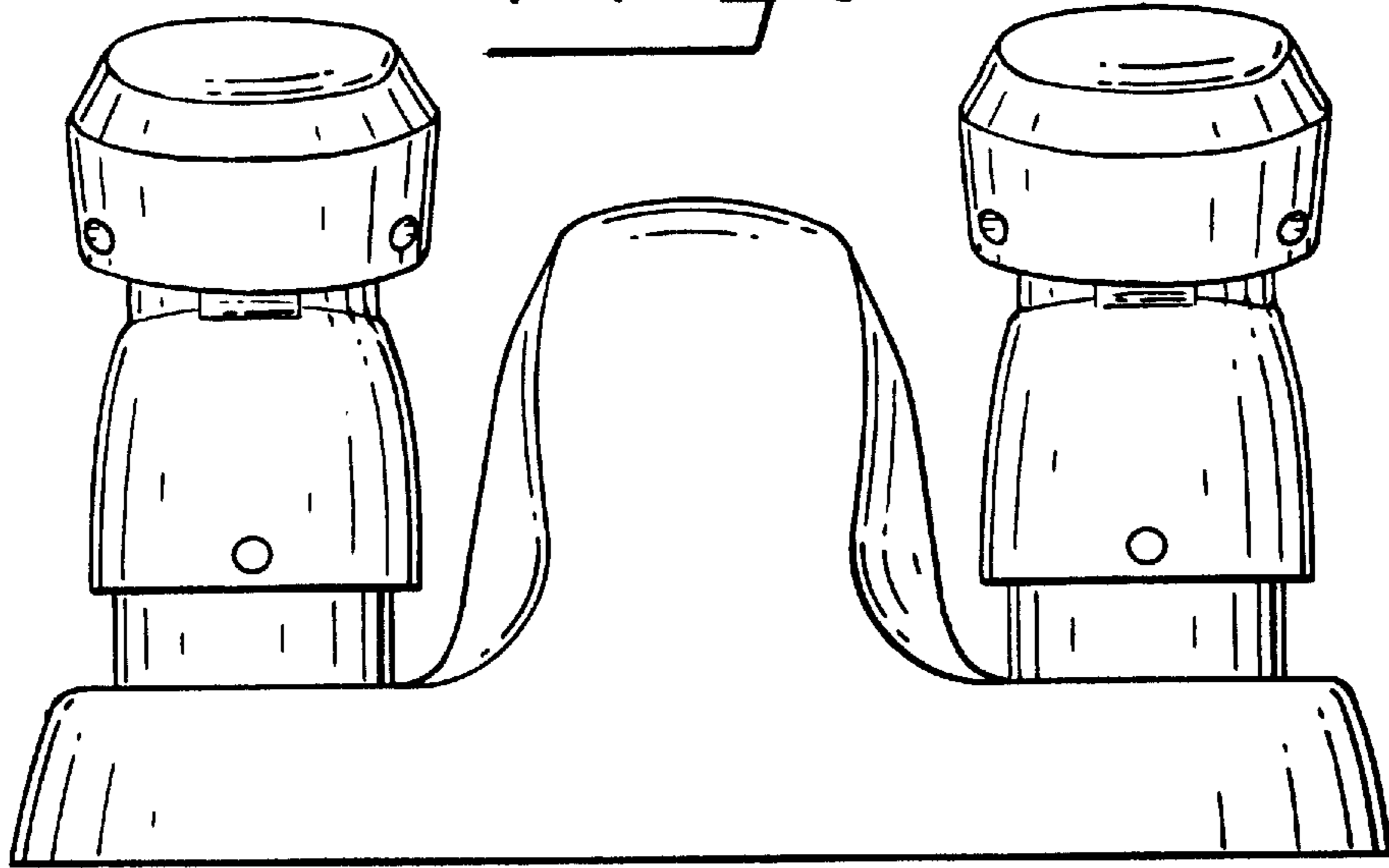


FIG. 6.

