



US00D465259S

(12) **United States Design Patent**  
**Pearl et al.**

(10) **Patent No.:** **US D465,259 S**

(45) **Date of Patent:** **\*\* Nov. 5, 2002**

(54) **MANIFOLD BODY**

(75) Inventors: **Douglas B. Pearl**, Fort Lauderdale, FL (US); **Dragan Bukur**, Fort Lauderdale, FL (US)

(73) Assignee: **Uniweld Products, Inc.**, Fort Lauderdale, FL (US)

(\*\*) Term: **14 Years**

(21) Appl. No.: **29/106,176**

(22) Filed: **Jun. 10, 1999**

(51) **LOC (7) Cl.** ..... **23-01**

(52) **U.S. Cl.** ..... **D23/213; D23/249**

(58) **Field of Search** ..... D23/249, 214, D23/200, 231, 232, 213; D15/79; 239/548, 550, 565, 566, 602; 137/266; 223/85, 94, 92, 89, 90, 91; D6/315, 316, 317; 417/423.1, 234

(56) **References Cited**

**U.S. PATENT DOCUMENTS**

1,484,575 A \* 2/1924 Shulin ..... 239/602  
4,570,601 A \* 2/1986 Ito et al. .... 239/550  
5,941,429 A \* 8/1999 Koons ..... 223/85

D416,074 S \* 11/1999 Mogg ..... D23/214

6,019,261 A \* 2/2000 Morgan et al. .... 223/85

D422,680 S \* 4/2000 Guo ..... D23/213

\* cited by examiner

*Primary Examiner*—Louis S. Zarfes

*Assistant Examiner*—Barbara Wyatt Crawford

(74) *Attorney, Agent, or Firm*—Niels & Lemack

(57) **CLAIM**

The ornamental design for a manifold body, as shown.

**DESCRIPTION**

FIG. 1 is a front view of the manifold body in accordance with the present invention;

FIG. 2 is a side view of the manifold body in accordance with the present invention;

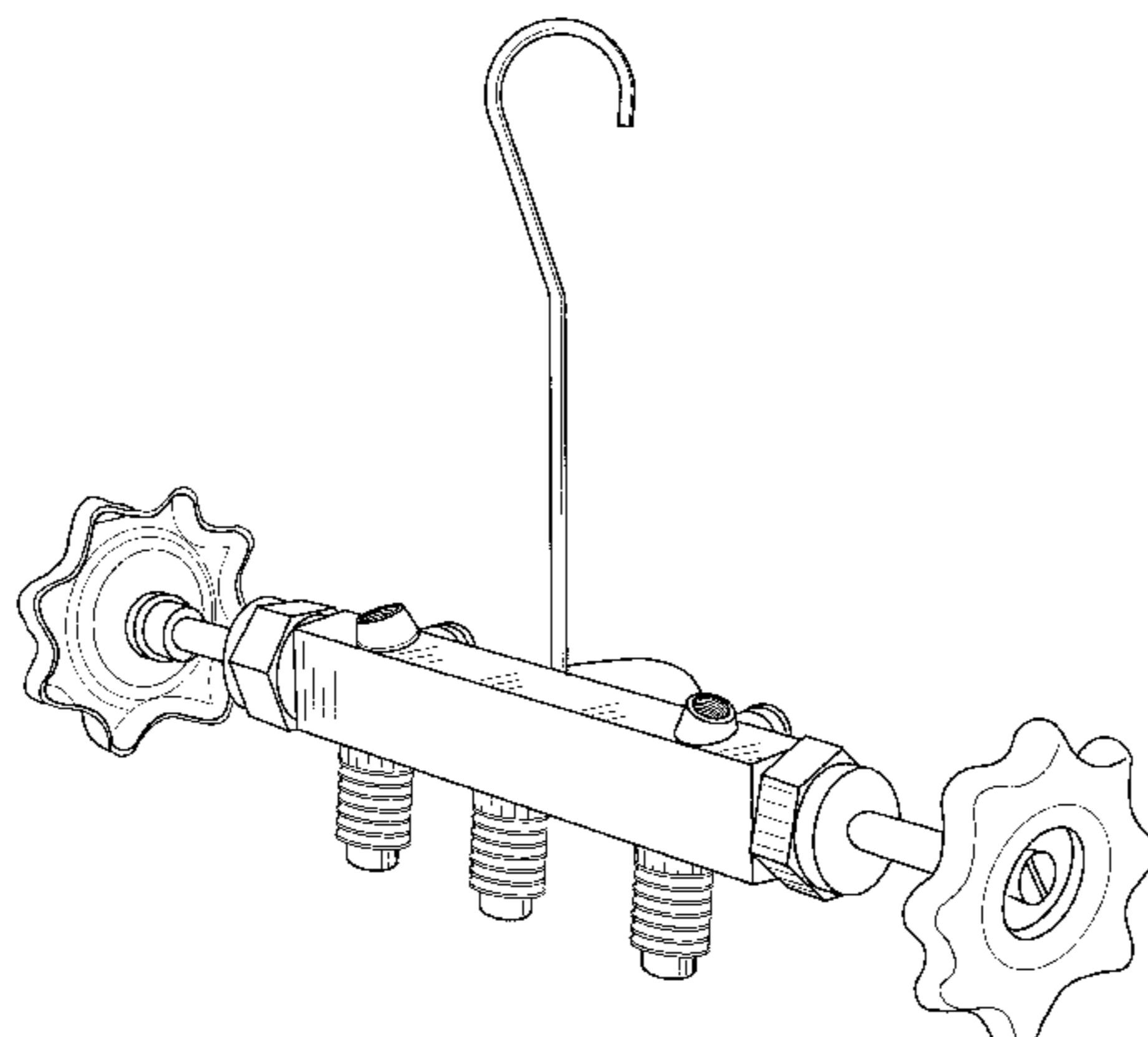
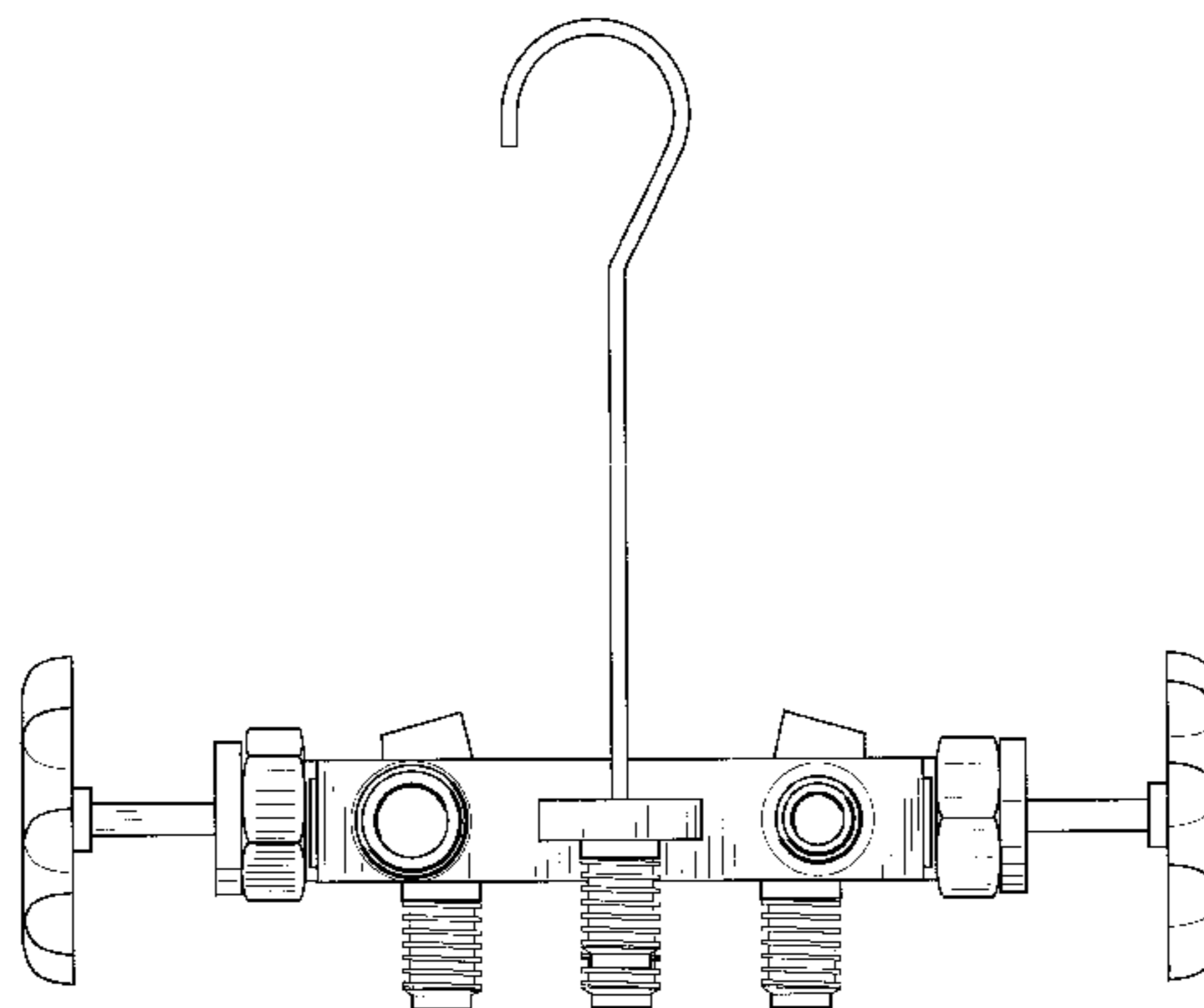
FIG. 3 is a bottom view of the manifold body in accordance with the present invention;

FIG. 4 is a rear view of the manifold body in accordance with the present invention;

FIG. 5 is a top view of the manifold body in accordance with the present invention; and,

FIG. 6 is a perspective view of the manifold body in accordance with the present invention.

**1 Claim, 6 Drawing Sheets**



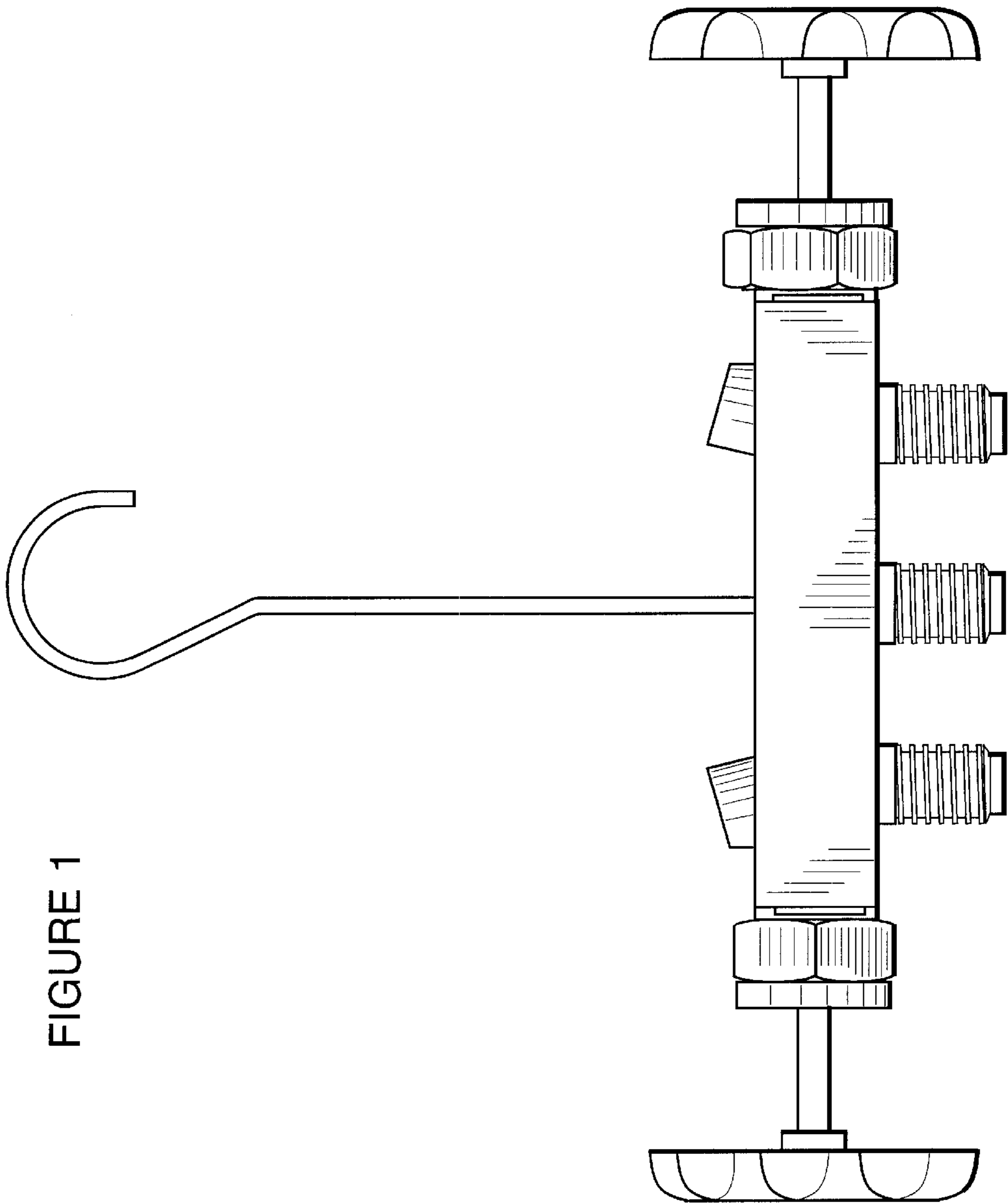


FIGURE 1

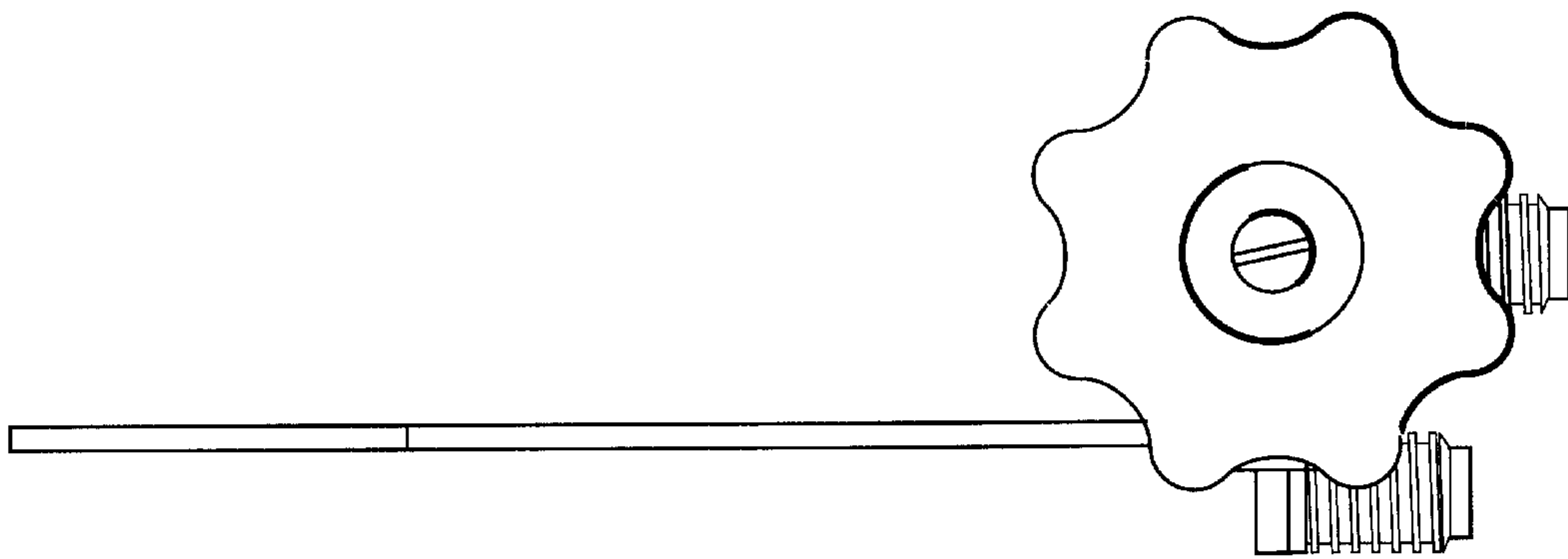


FIGURE 2

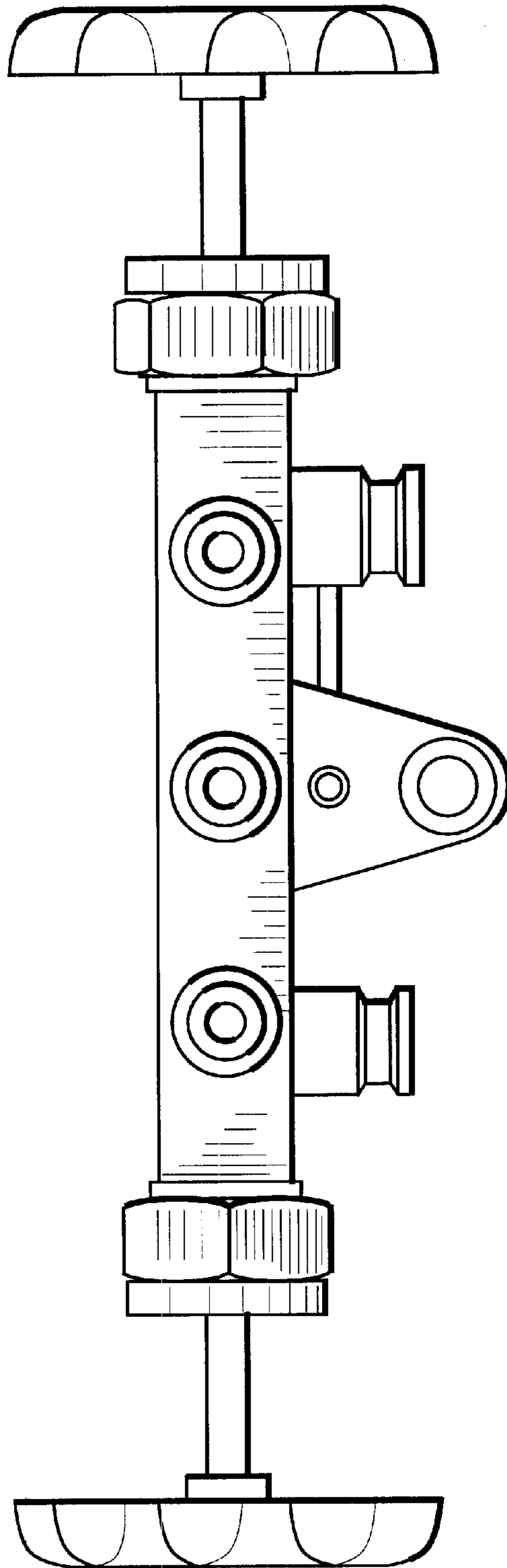


FIGURE 3

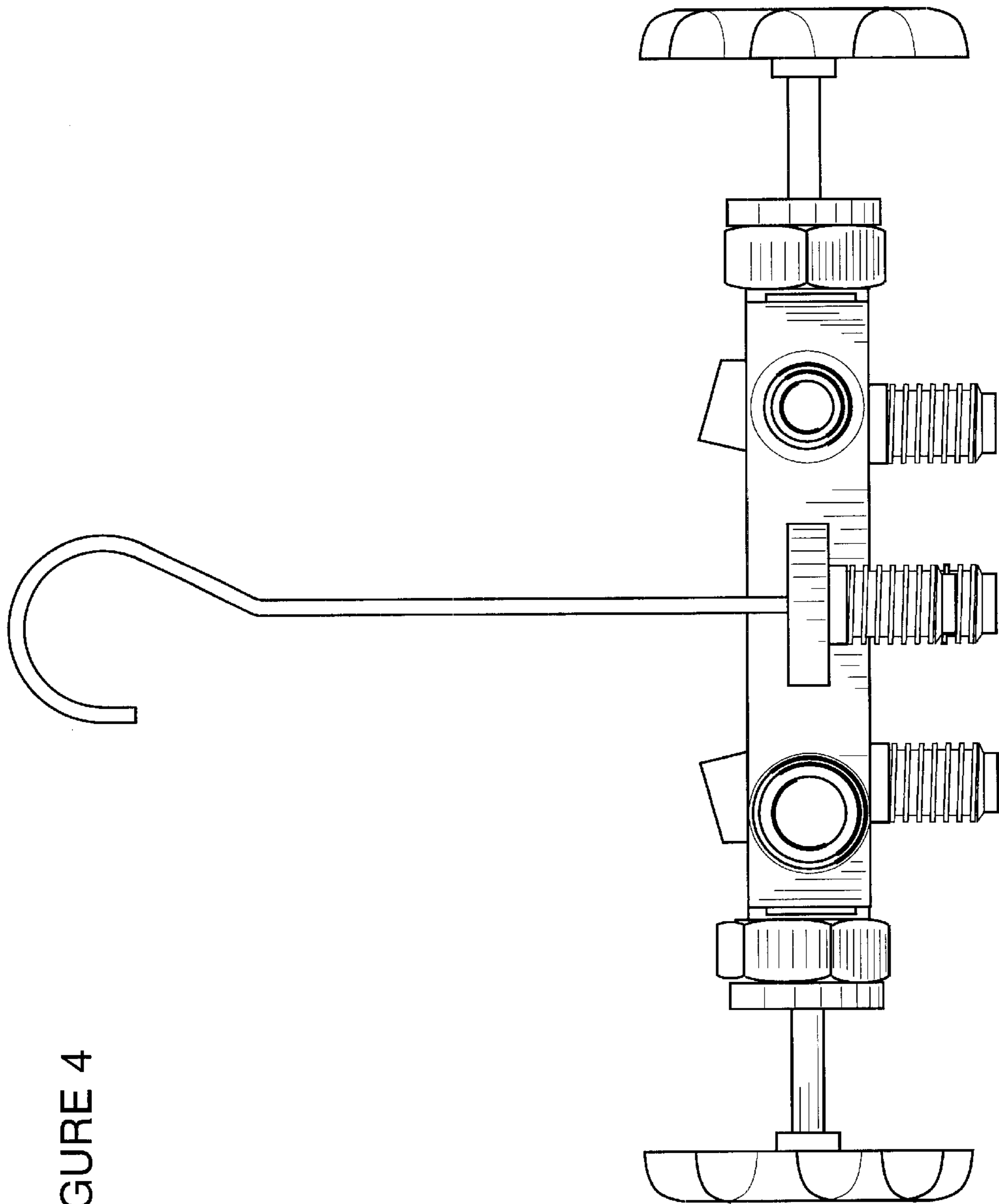


FIGURE 4

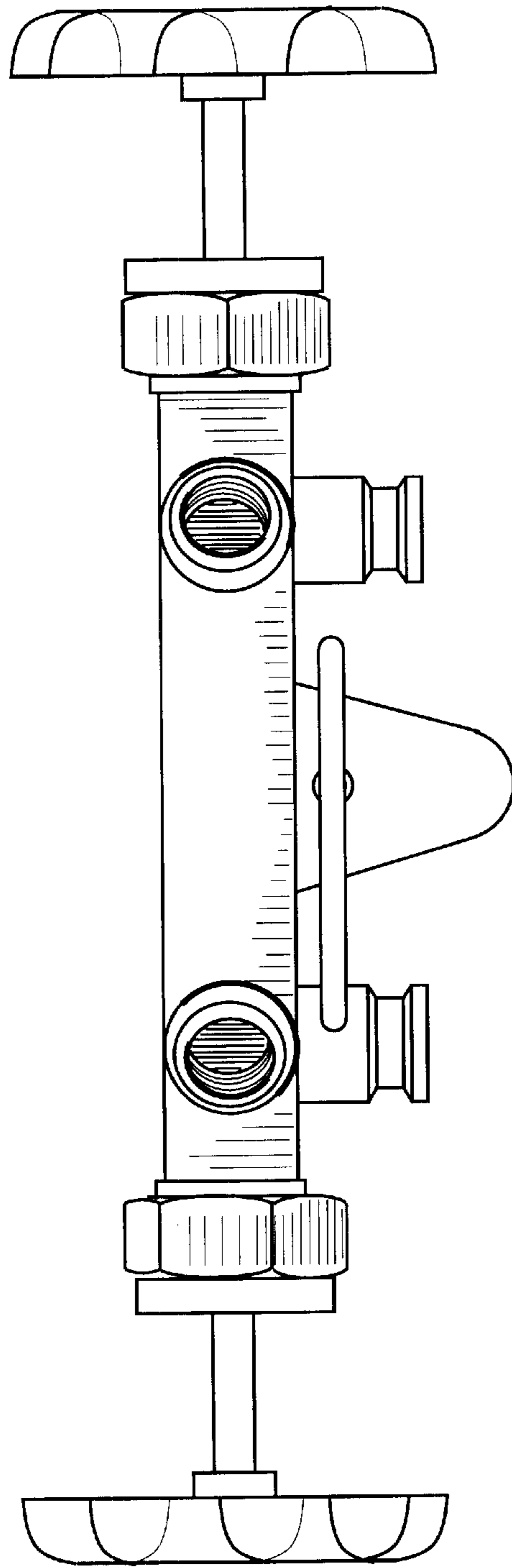


FIGURE 5

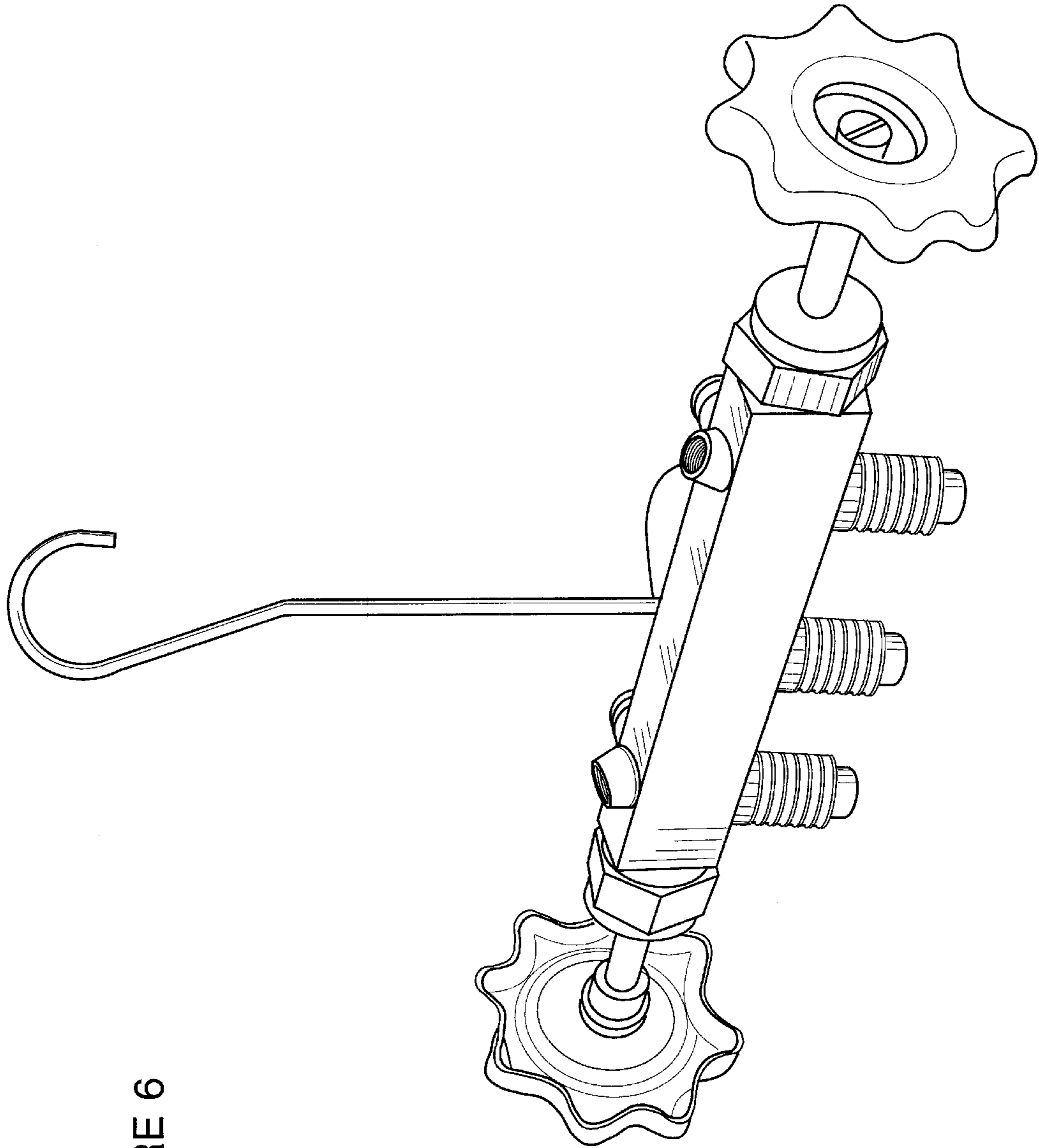


FIGURE 6