



US00D465258S

(12) **United States Design Patent**  
**Hiranaga et al.**

(10) **Patent No.:** **US D465,258 S**

(45) **Date of Patent:** **\*\* Nov. 5, 2002**

(54) **FILTER ELEMENT**

(75) Inventors: **Hajime Hiranaga**, Ibaraki (JP);  
**Tatauya Hoshino**, Ibaraki (JP);  
**Hisayuki Kataoka**, Chiba (JP)

(73) Assignee: **Pall Corporation**, East Hills, NY (US)

(\*\*) Term: **14 Years**

(21) Appl. No.: **29/152,374**

(22) Filed: **Dec. 20, 2001**

**Related U.S. Application Data**

(62) Division of application No. 29/135,045, filed on Jan. 5, 2001.

(51) **LOC (7) Cl.** ..... **23-01**

(52) **U.S. Cl.** ..... **D23/209**

(58) **Field of Search** ..... D23/207, 209;  
210/444, 313

(56) **References Cited**

**U.S. PATENT DOCUMENTS**

5,766,463 A \* 6/1998 Janik et al. .... 210/444

5,783,078 A \* 7/1998 Roll et al. .... 210/444

6,019,890 A \* 2/2000 Janik et al. .... 210/444

D441,422 S \* 5/2001 Jensen ..... D23/209

\* cited by examiner

*Primary Examiner*—Robin V. Taylor

(74) *Attorney, Agent, or Firm*—Leydig, Voit & Mayer

(57) **CLAIM**

The ornamental design for a filter element, as shown and described.

**DESCRIPTION**

FIG. 1 is a first side view of a filter element according to an embodiment of the design;

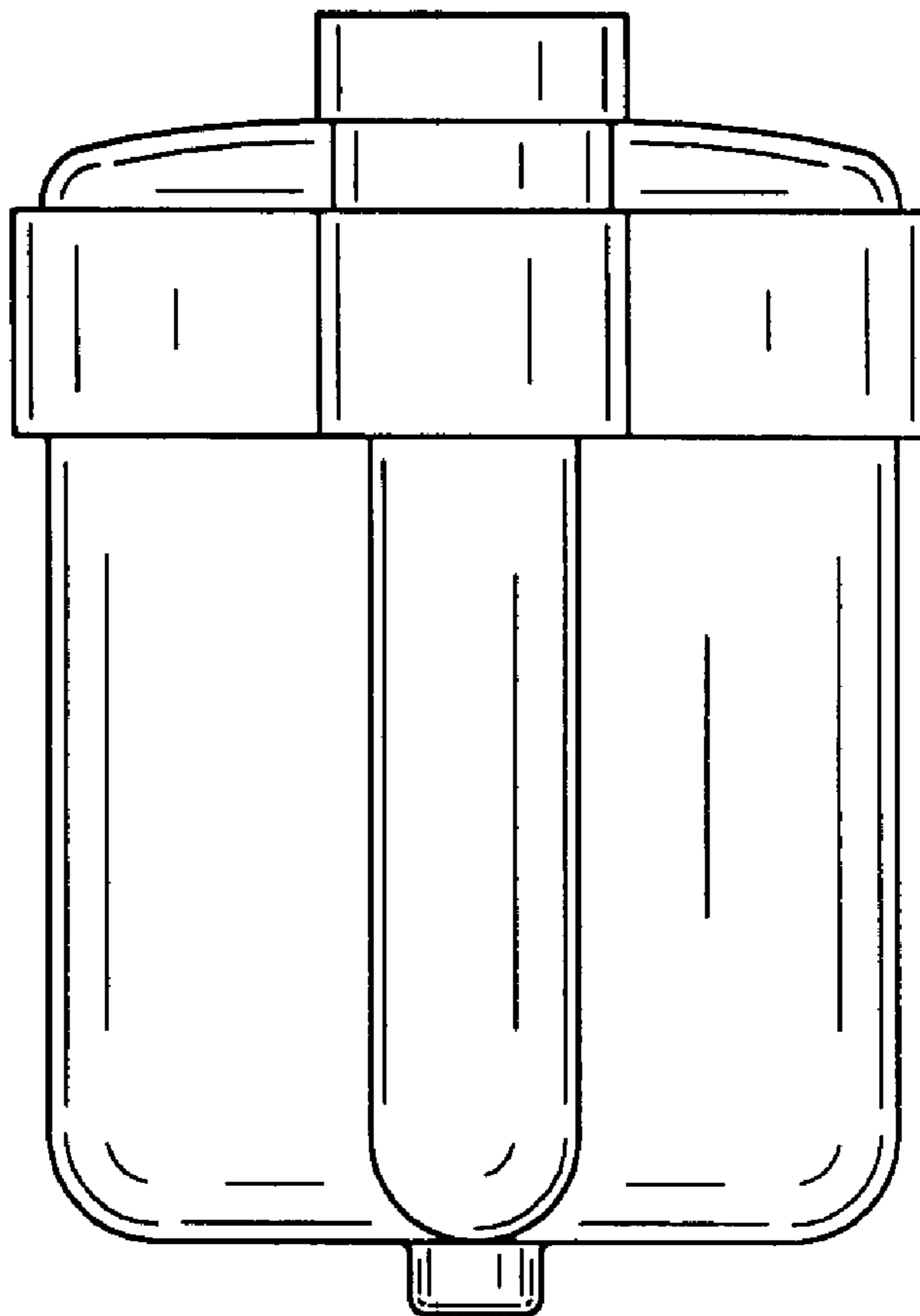
FIG. 2 is a front and back side view of a filter element according to an embodiment of the design;

FIG. 3 is a second side view of a filter element according to an embodiment of the design;

FIG. 4 is a bottom side view of a filter element according to an embodiment of the design; and,

FIG. 5 is a top side view of a filter element according to an embodiment of the design.

**1 Claim, 1 Drawing Sheet**



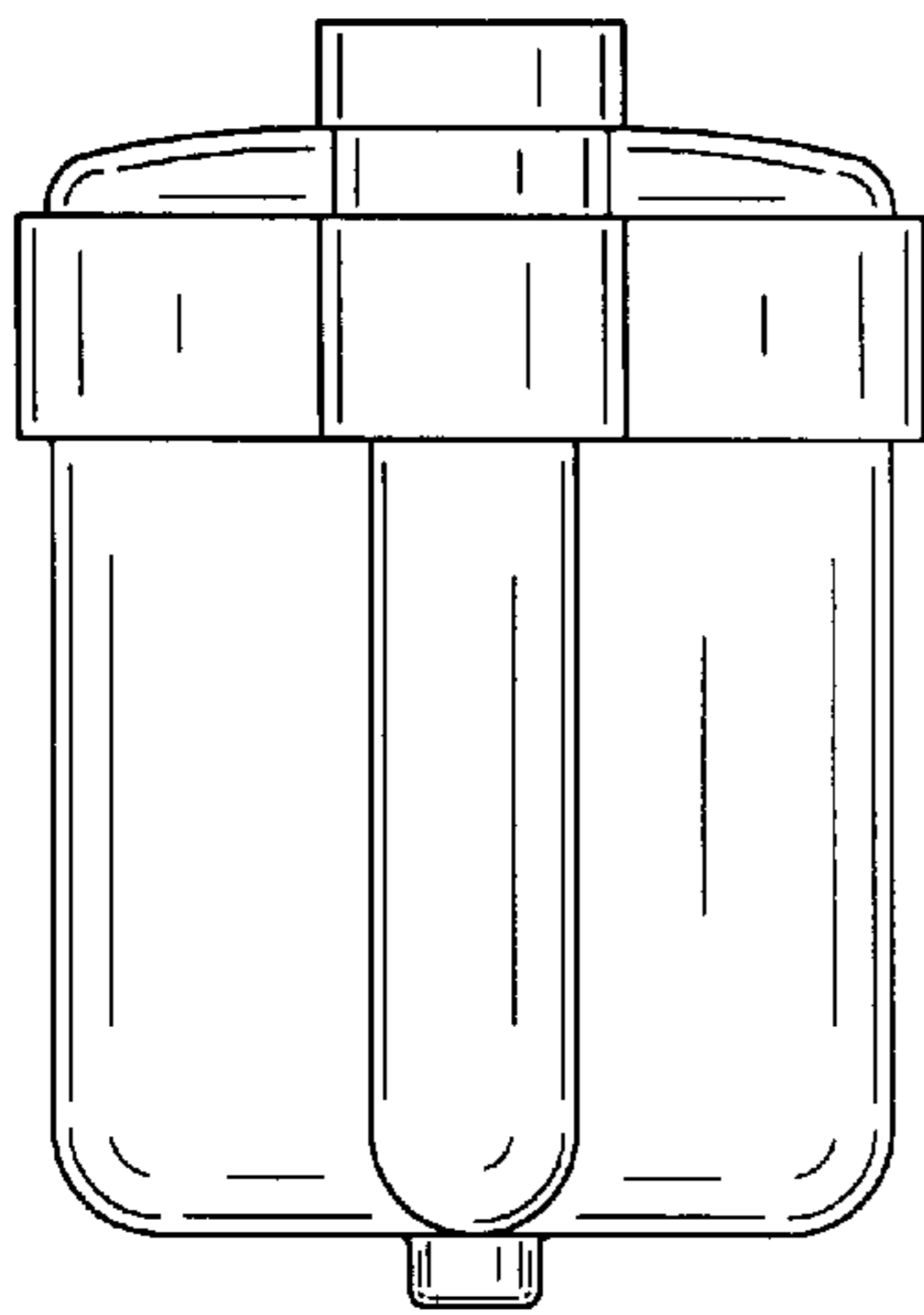


FIG. 1

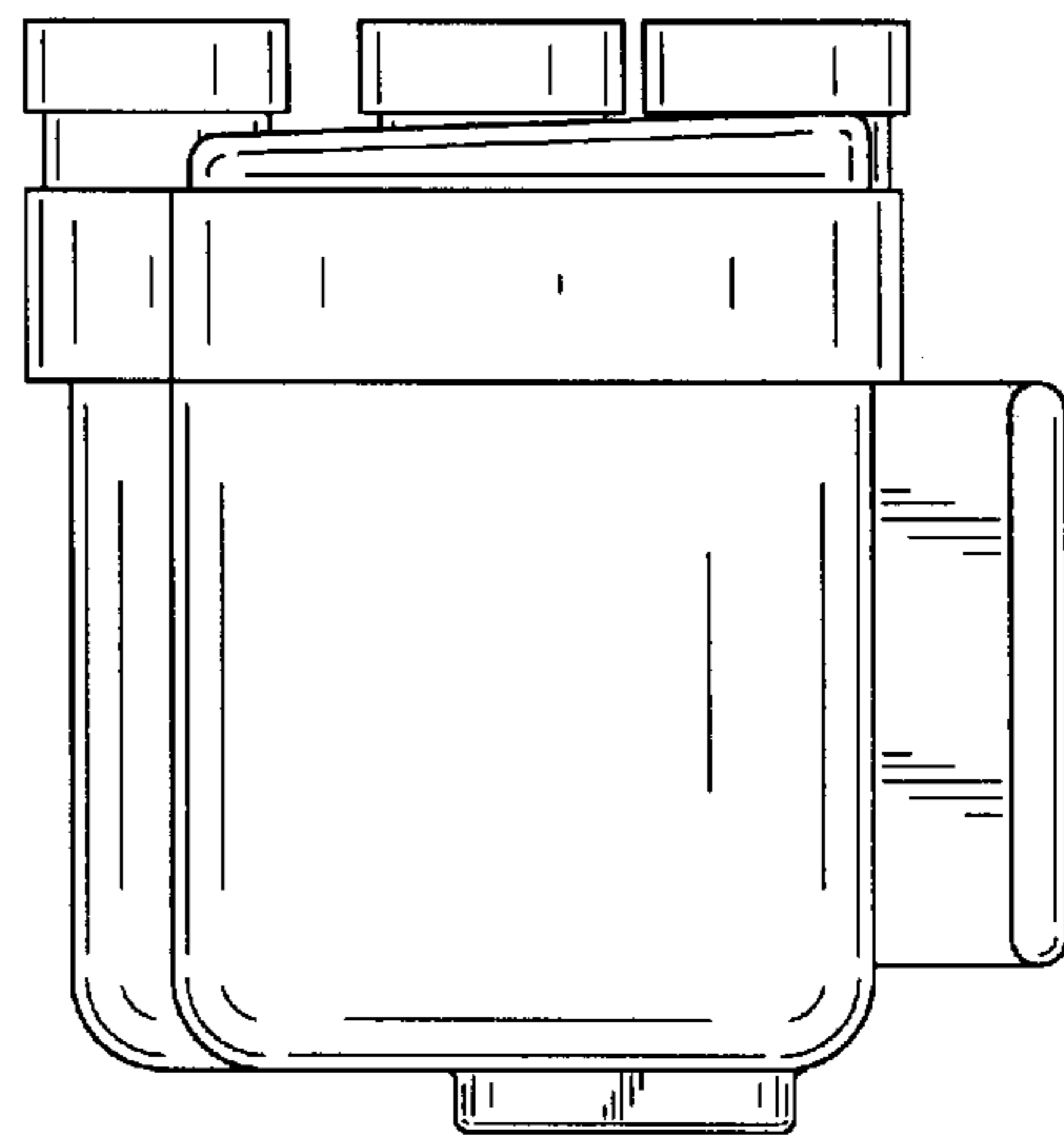


FIG. 2

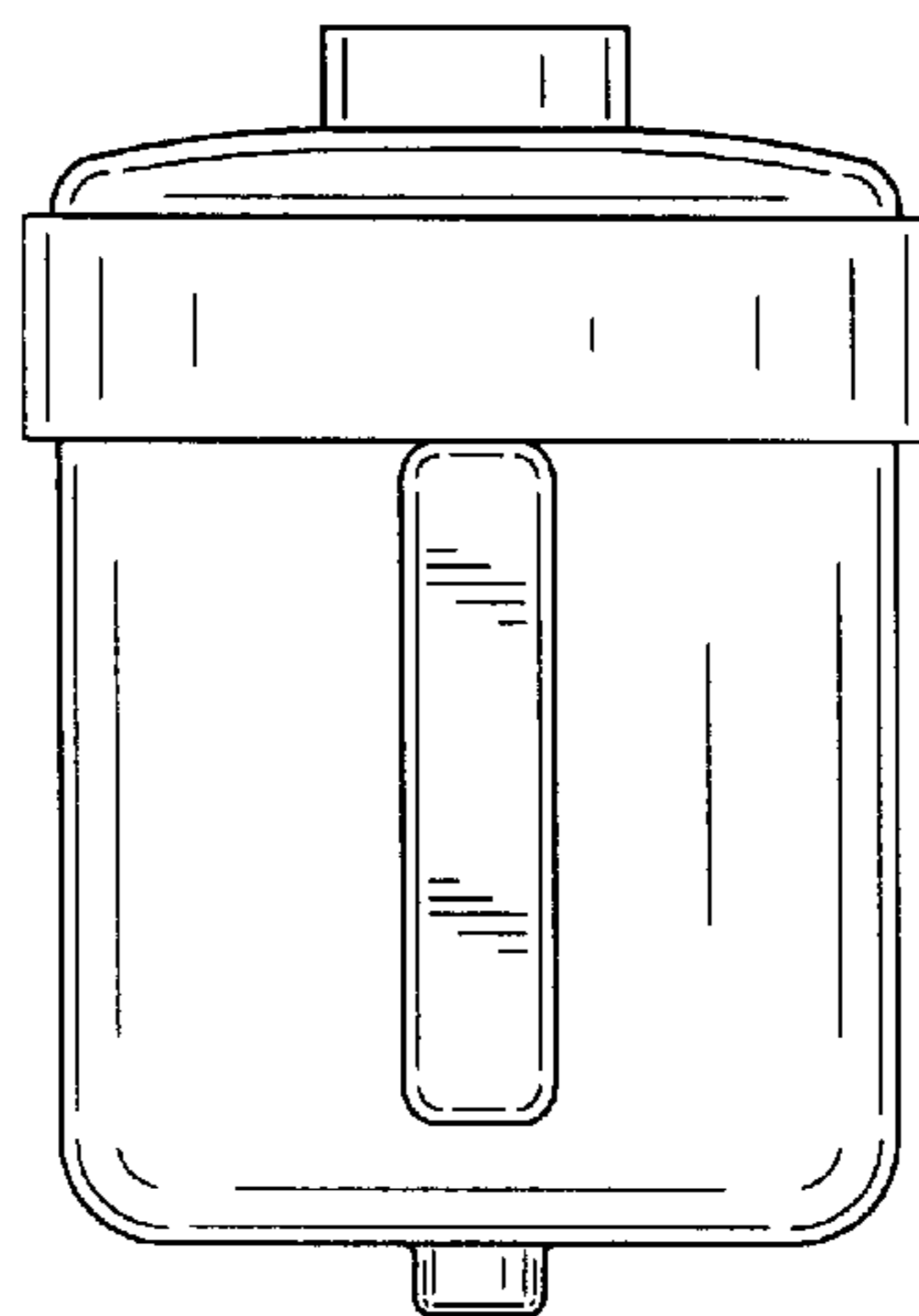


FIG. 3

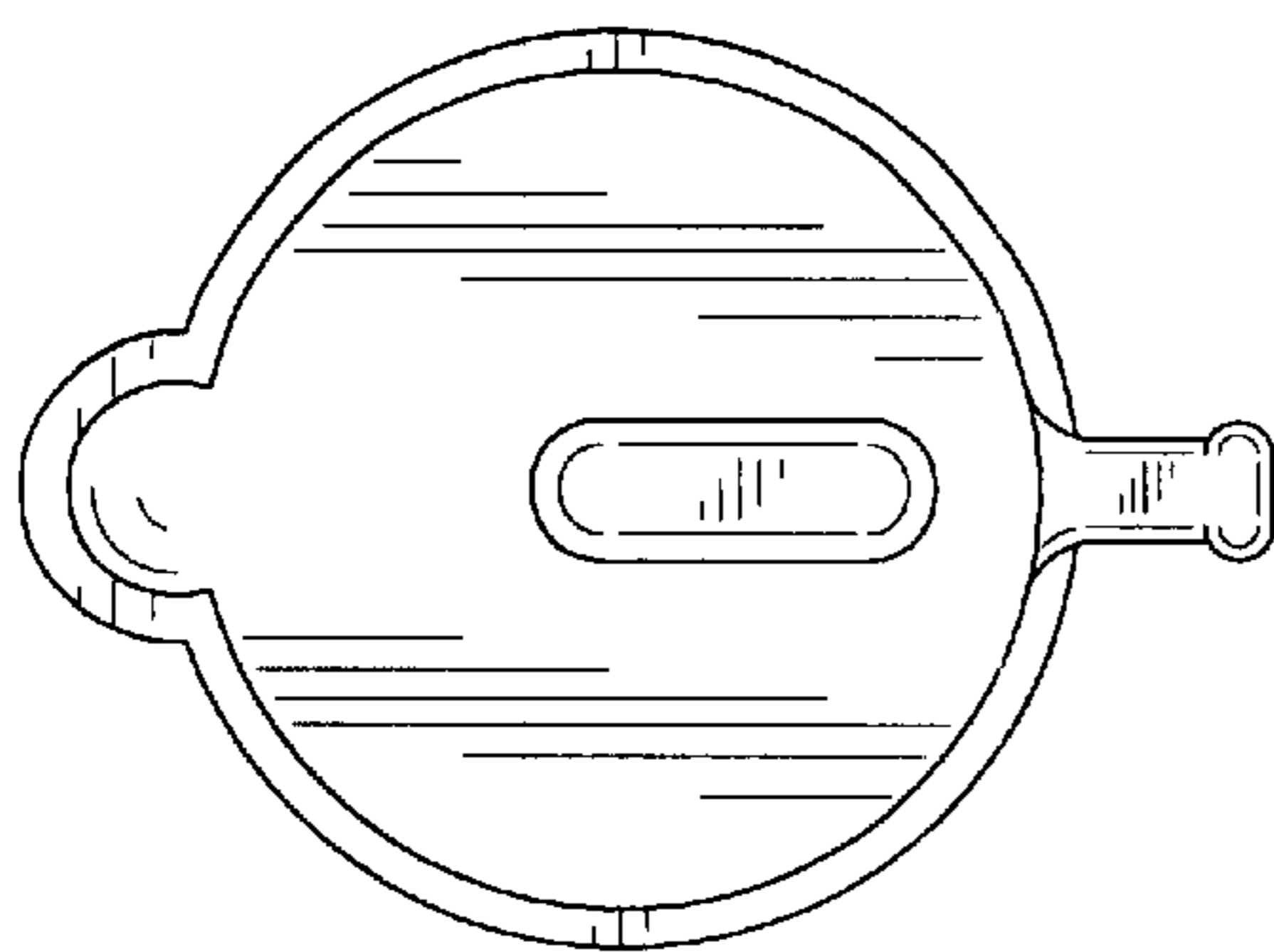


FIG. 4

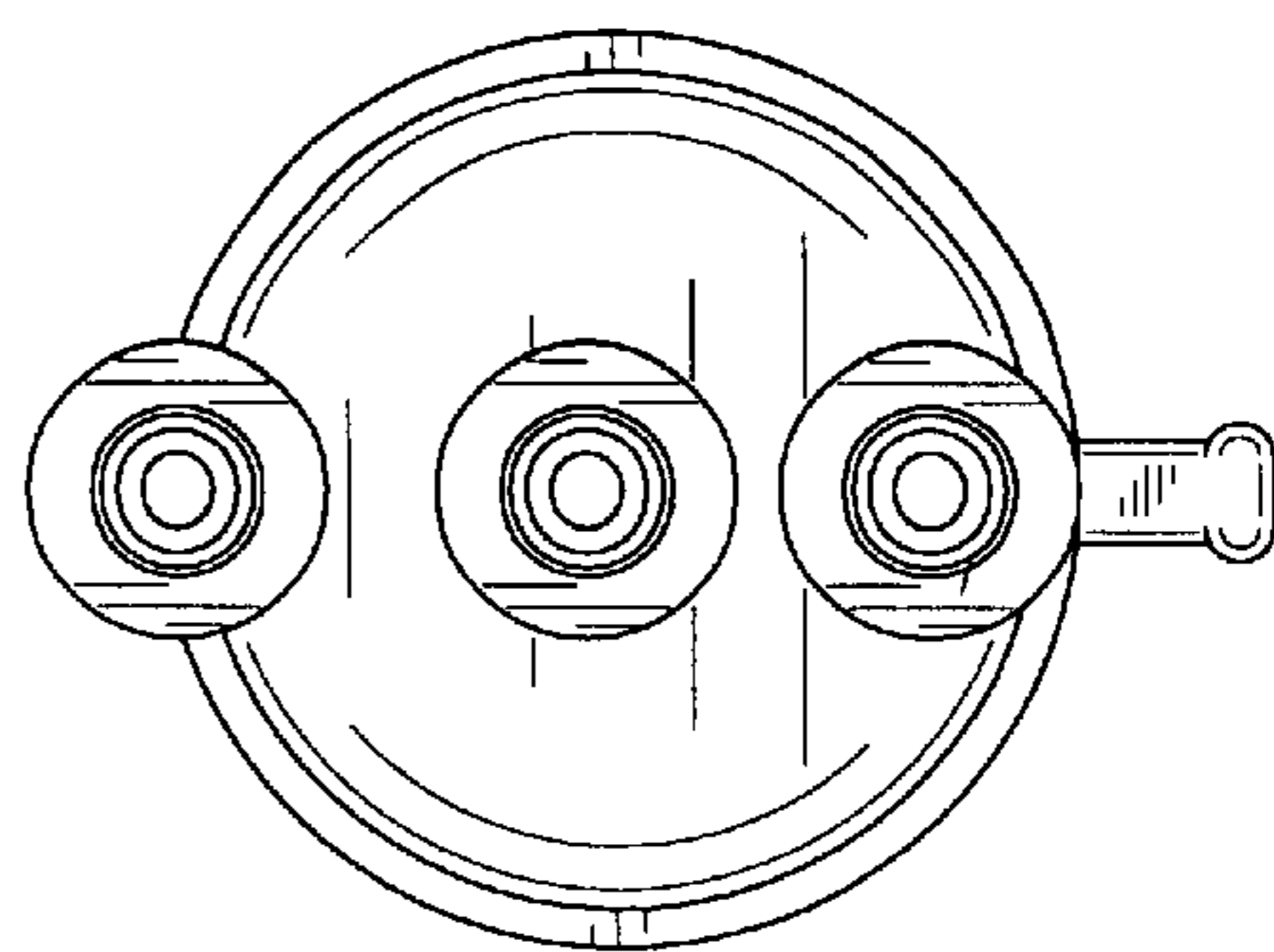


FIG. 5