



US00D465243S

(12) **United States Design Patent**
Isetani et al.

(10) **Patent No.:** **US D465,243 S**

(45) **Date of Patent:** **** Nov. 5, 2002**

(54) **GAME MACHINE**

(75) Inventors: **Yoshitsugu Isetani**, Tokyo (JP);
Akihisa Yamashita, Tokyo (JP); **Hideki Kotani**, Tokyo (JP); **Shingo Onkoshi**, Tokyo (JP); **Masahiro Moriyama**, Tokyo (JP)

(73) Assignee: **Konami Corporation**, Tokyo (JP)

(**) Term: **14 Years**

(21) Appl. No.: **29/148,975**

(22) Filed: **Sep. 28, 2001**

(30) **Foreign Application Priority Data**

Mar. 29, 2001 (JP) 2001-009026

(51) **LOC (7) Cl.** **21-01**

(52) **U.S. Cl.** **D21/325; D21/329**

(58) **Field of Search** **D21/324-333, D21/344, 350, 385; 463/1, 2, 30-35, 9, 14, 15, 46-50; 273/148 B, 273, 239, 283, 289; 446/417; 472/62**

(56) **References Cited**

U.S. PATENT DOCUMENTS

4,275,442 A * 6/1981 Underwood et al. 463/9

4,850,591 A * 7/1989 Yakezawa et al. 463/3
5,342,057 A * 8/1994 Sorkoram 273/239
5,411,271 A * 5/1995 Mirando 463/9
5,584,763 A * 12/1996 Kelly et al. 463/16
5,611,731 A * 3/1997 Bouton et al. 273/148 B
D425,570 S * 5/2000 Otomi et al. D21/325
D435,271 S * 12/2000 Muraki et al. D21/325
D436,632 S * 1/2001 Muraki et al. D21/325

* cited by examiner

Primary Examiner—Prabhakar Deshmukh

(74) *Attorney, Agent, or Firm*—Jordan and Hamburg LLP

(57) **CLAIM**

The ornamental design for a game machine, as shown and described.

DESCRIPTION

FIG. 1 is a perspective view of a game machine;
FIG. 2 is a front view thereof;
FIG. 3 is a rear view thereof;
FIG. 4 is a left side view thereof;
FIG. 5 is a right side view thereof;
FIG. 6 is a top view thereof; and,
FIG. 7 is a bottom view thereof.

1 Claim, 4 Drawing Sheets

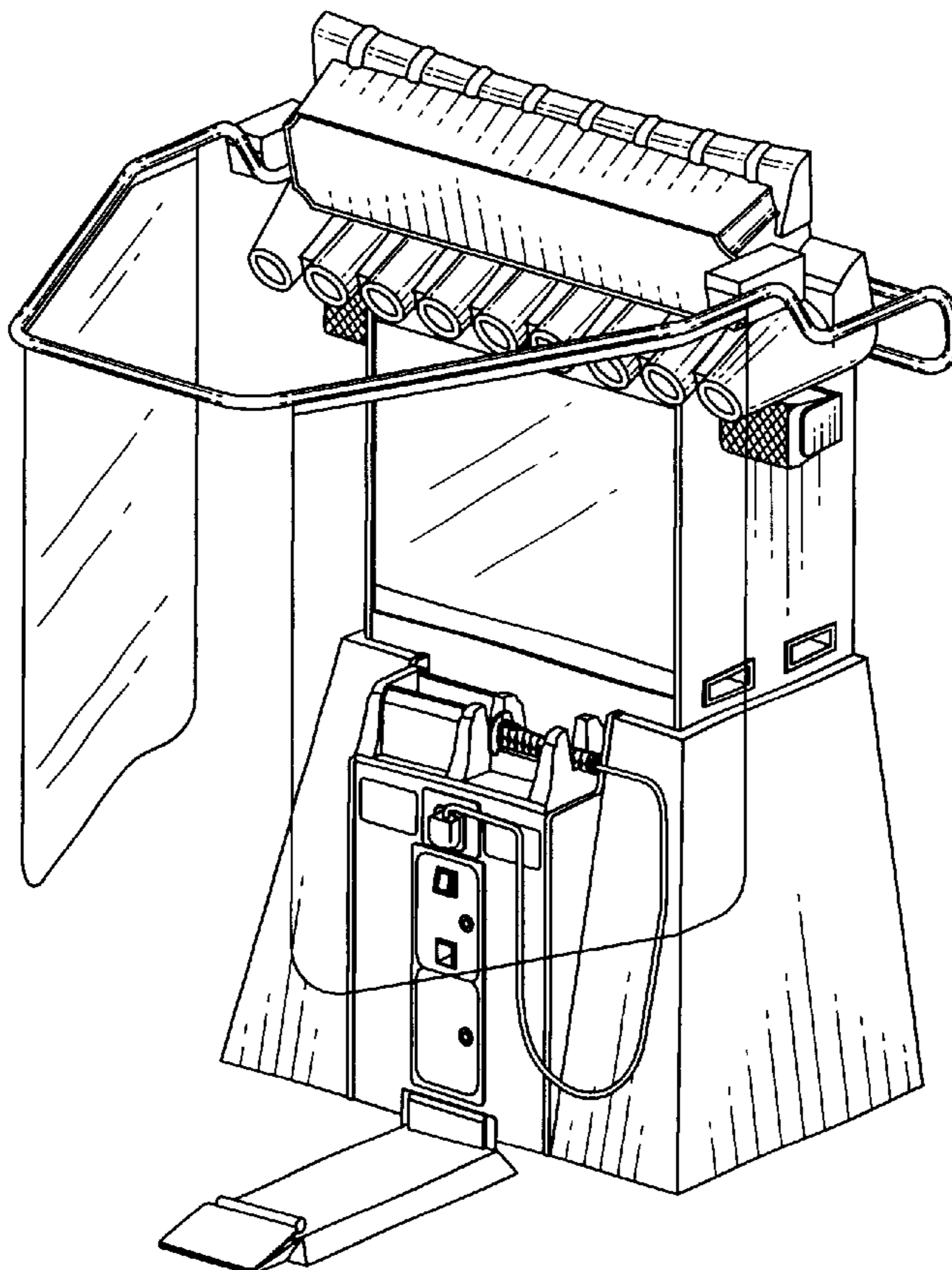


FIG. 1

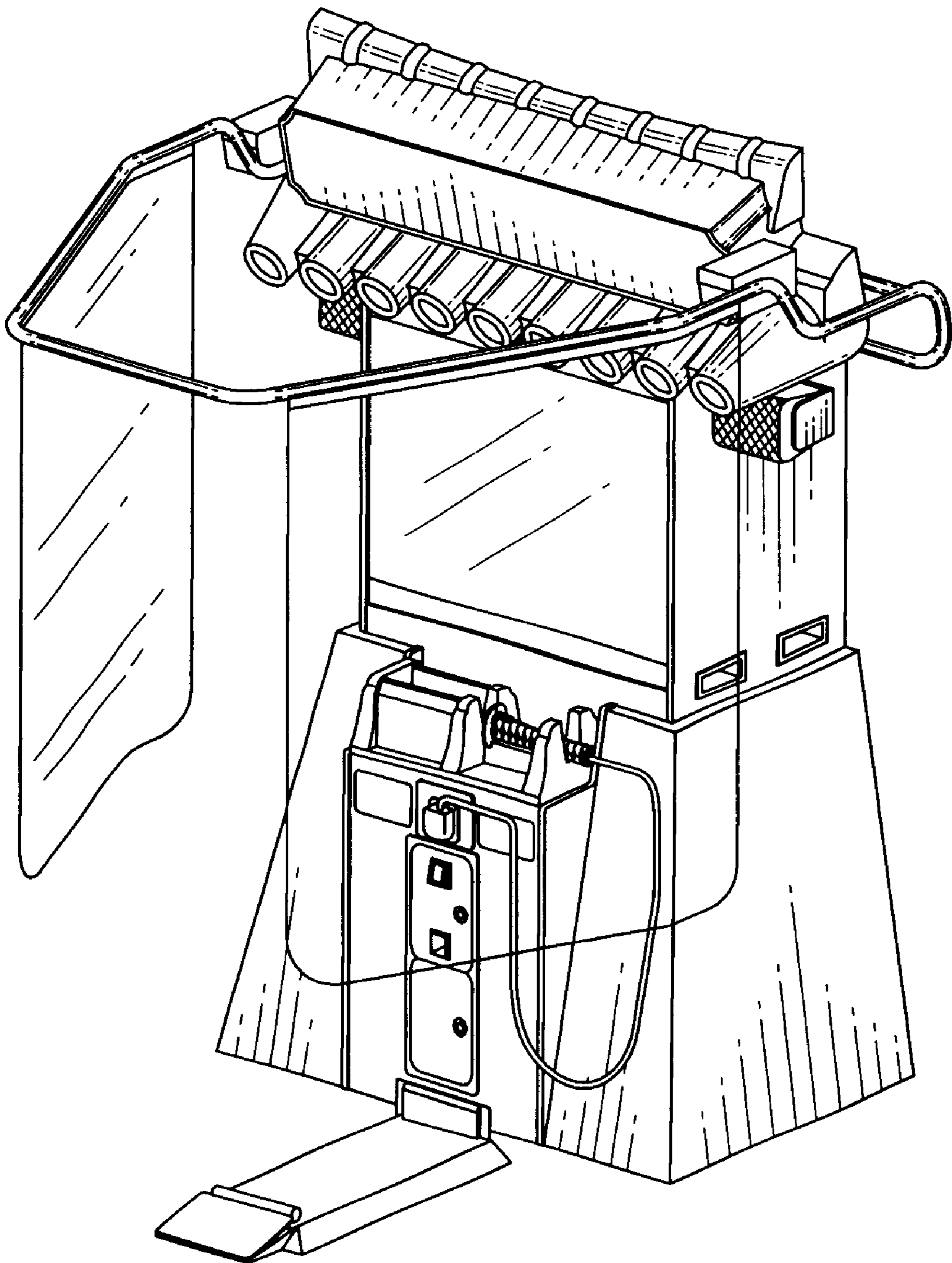


FIG. 2

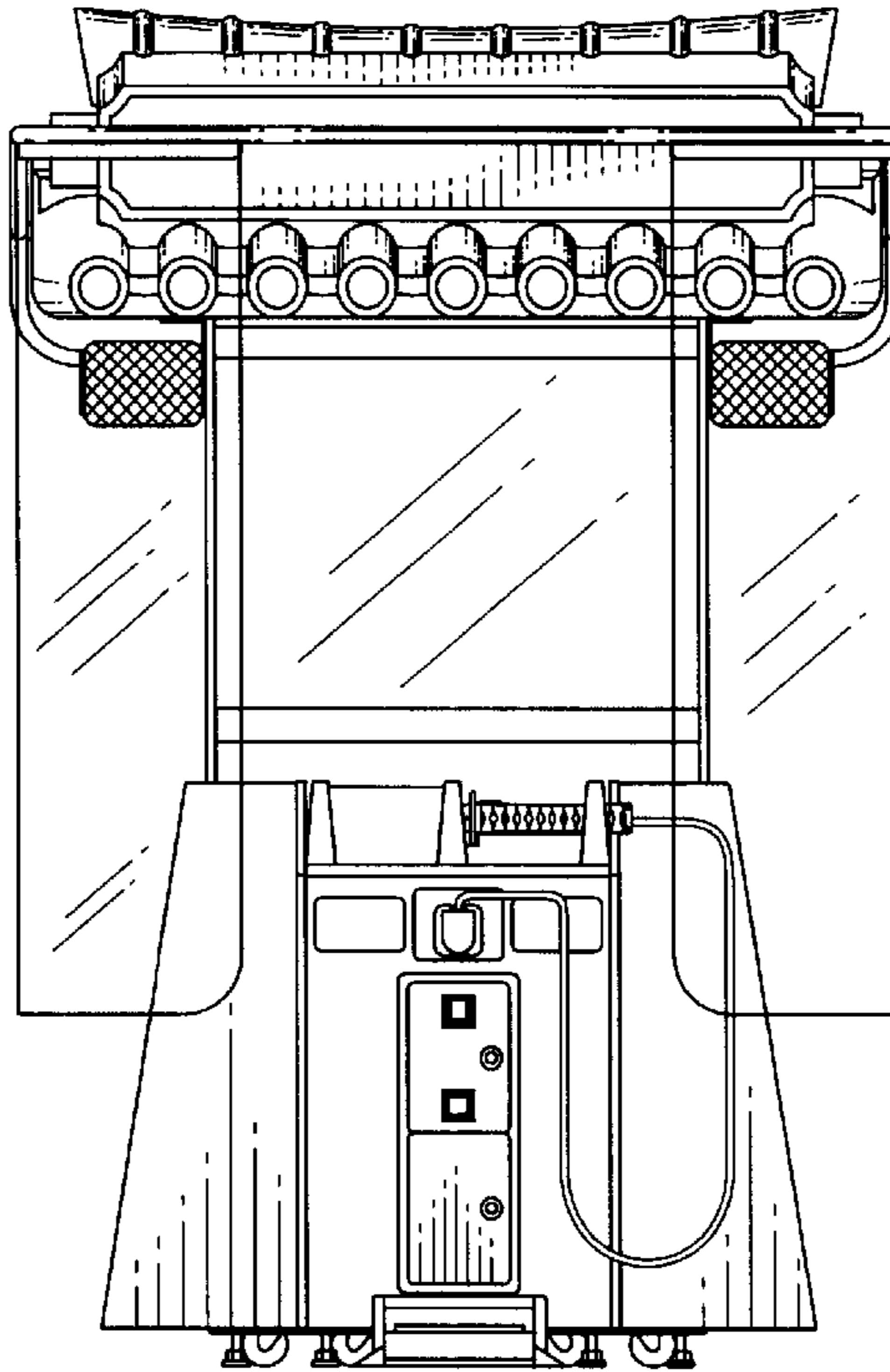


FIG. 3

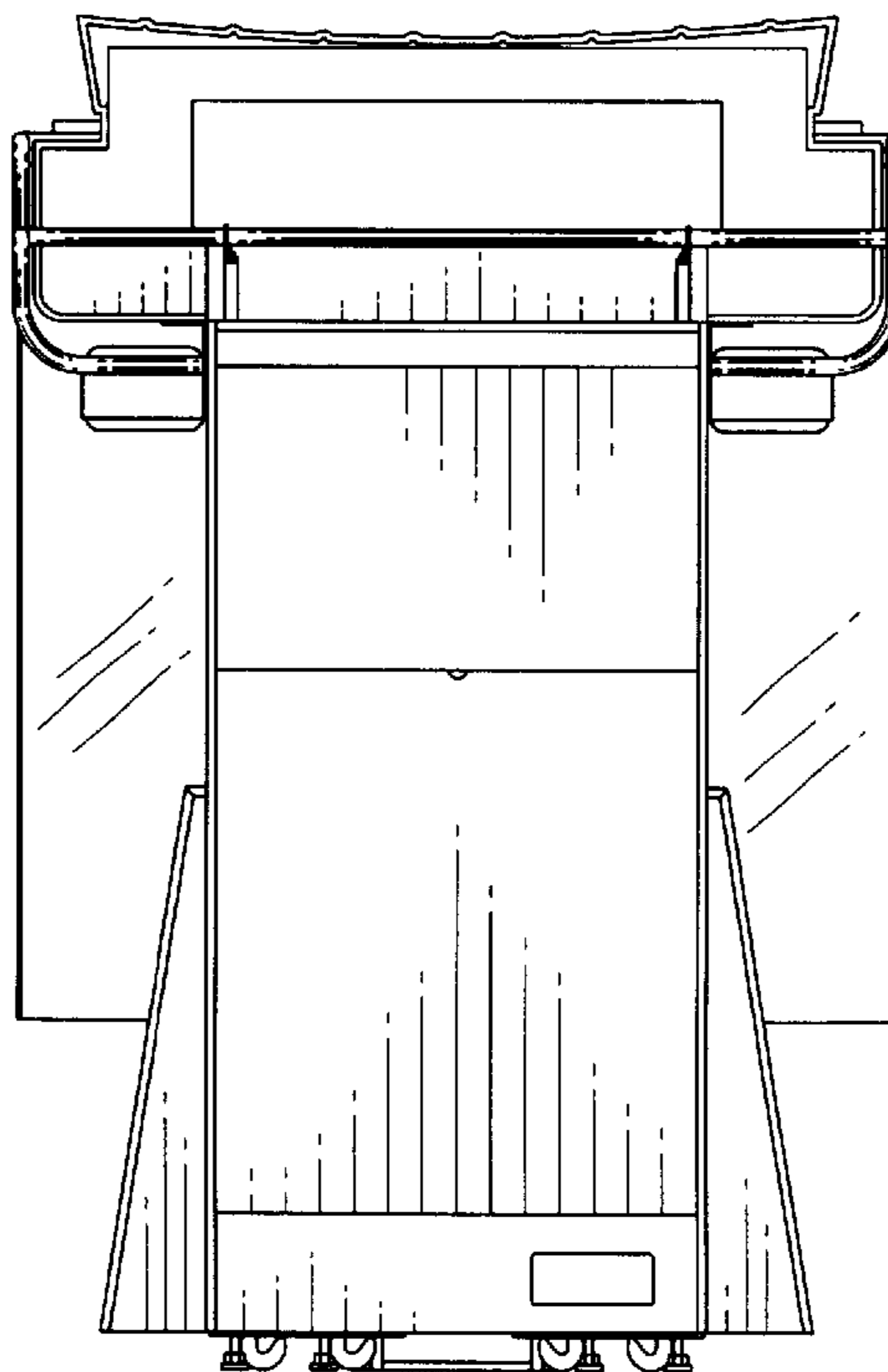


FIG. 4

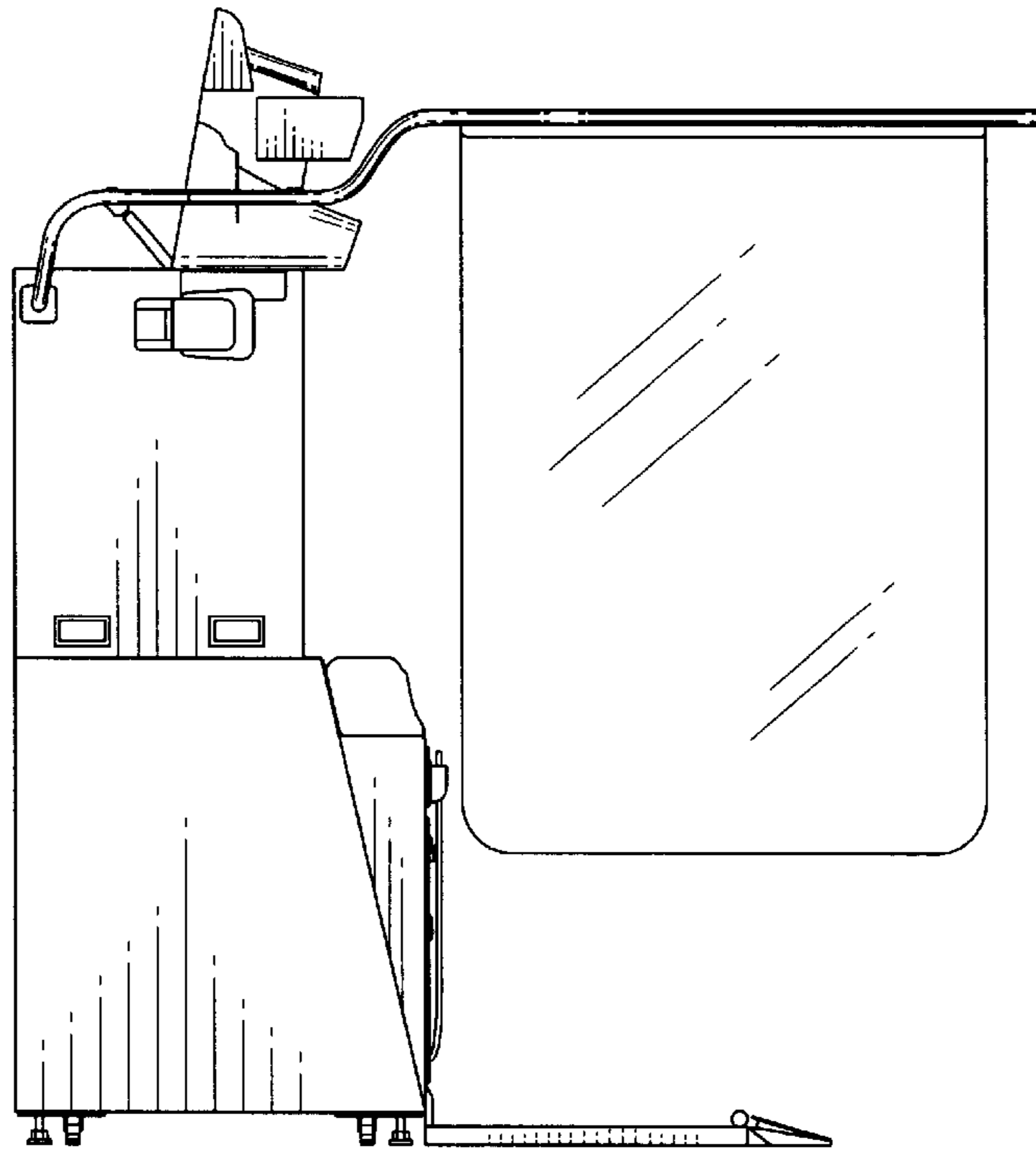


FIG. 5

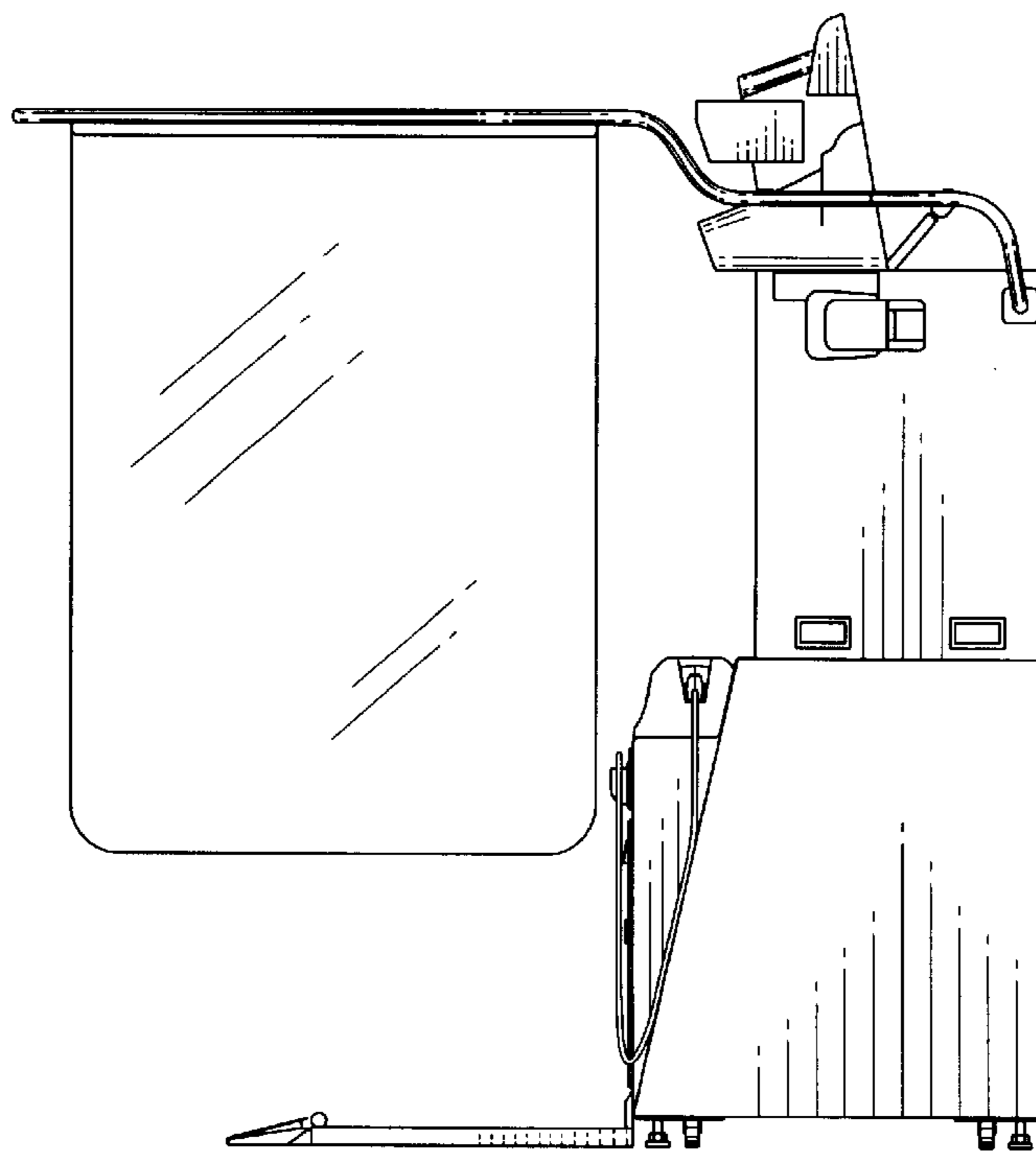


FIG. 6

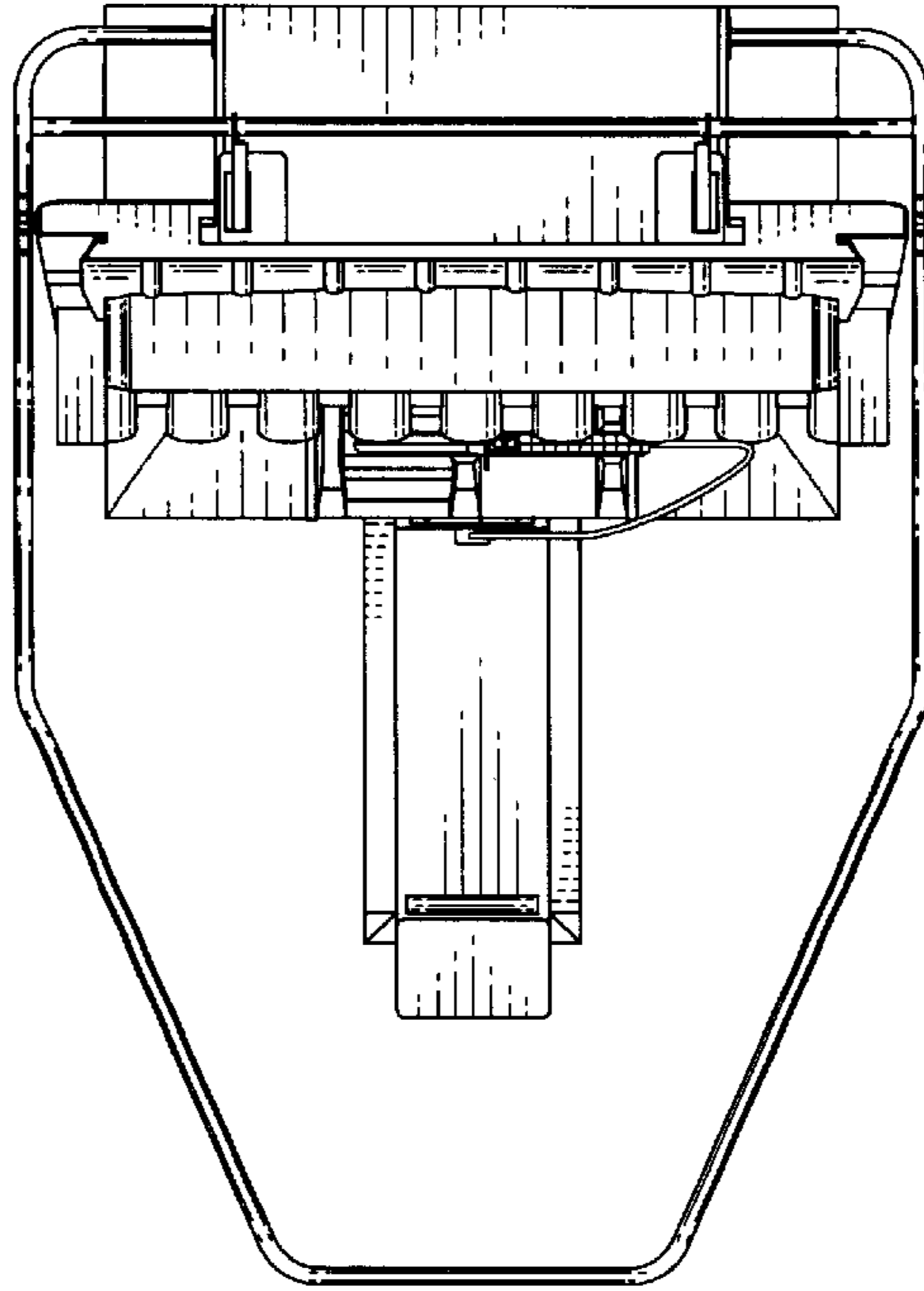


FIG. 7

