



US00D465236S

(12) **United States Design Patent**
Fukasawa et al.

(10) **Patent No.:** **US D465,236 S**

(45) **Date of Patent:** **** Nov. 5, 2002**

(54) **PRINTER**

(75) Inventors: **Naoto Fukasawa**, Tokyo (JP);
Masahiko Kobayashi, Chino (JP);
Shoichi Murata, Matsumoto (JP);
Hitoshi Toyoshima, Suwa (JP)

(73) Assignee: **Seiko Epson Corporation**, Tokyo (JP)

(**) Term: **14 Years**

(21) Appl. No.: **29/144,187**

(22) Filed: **Jun. 28, 2001**

(30) **Foreign Application Priority Data**

Dec. 28, 2000	(JP)	2000-037717
Dec. 28, 2000	(JP)	2000-037718
Dec. 28, 2000	(JP)	2000-037719
Dec. 28, 2000	(JP)	2000-037720

(51) **LOC (7) Cl.** **14-02**

(52) **U.S. Cl.** **D18/50**

(58) **Field of Search** D18/36-37, 50,
D18/54-55, 14, 19; 400/613, 613.1-613.4,
691-694, 690.1-690.4

(56) **References Cited**

U.S. PATENT DOCUMENTS

3,476,210	A	*	11/1969	Carlson	400/690.2
3,561,581	A	*	2/1971	Takenaka	D18/54
D263,142	S	*	2/1982	Nishi et al.	D18/54
D276,235	S	*	11/1984	Dorman et al.	D18/54
D308,072	S	*	5/1990	Salmonson	D18/54

D318,288	S	*	7/1991	Tashiro	D18/54
D323,526	S	*	1/1992	Kobayashi	D18/54
D325,927	S	*	5/1992	Fushiya	D18/54
D393,278	S	*	4/1998	Lee	D18/50
6,234,696	B1	*	5/2001	Whittaker	400/613
D443,890	S	*	6/2001	Sato et al.	D18/50
D449,852	S	*	10/2001	Sugimoto	D18/50

* cited by examiner

Primary Examiner—Cathy Anne MacCormac

(74) *Attorney, Agent, or Firm*—Oliff & Berridge, PLC

(57) **CLAIM**

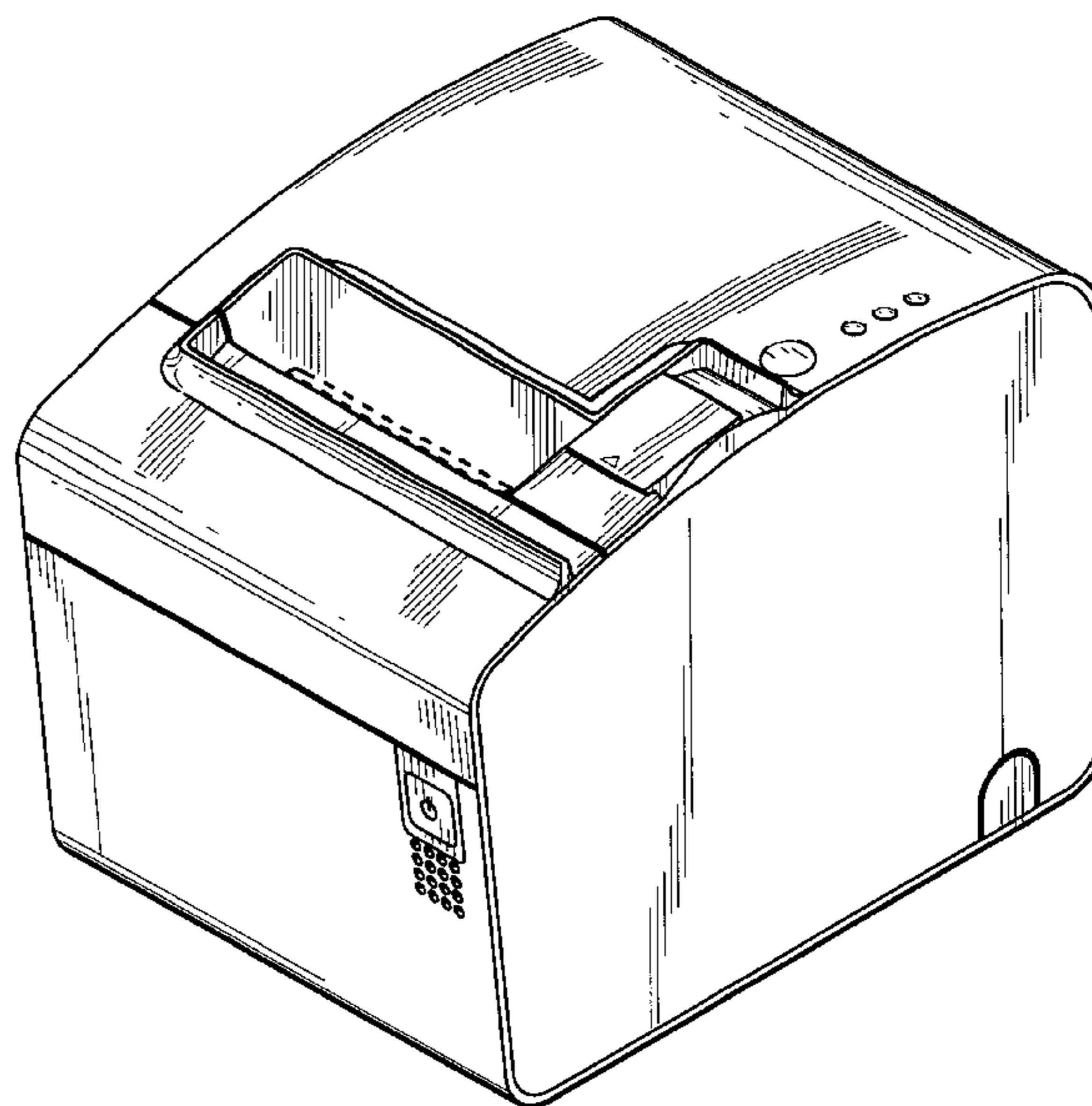
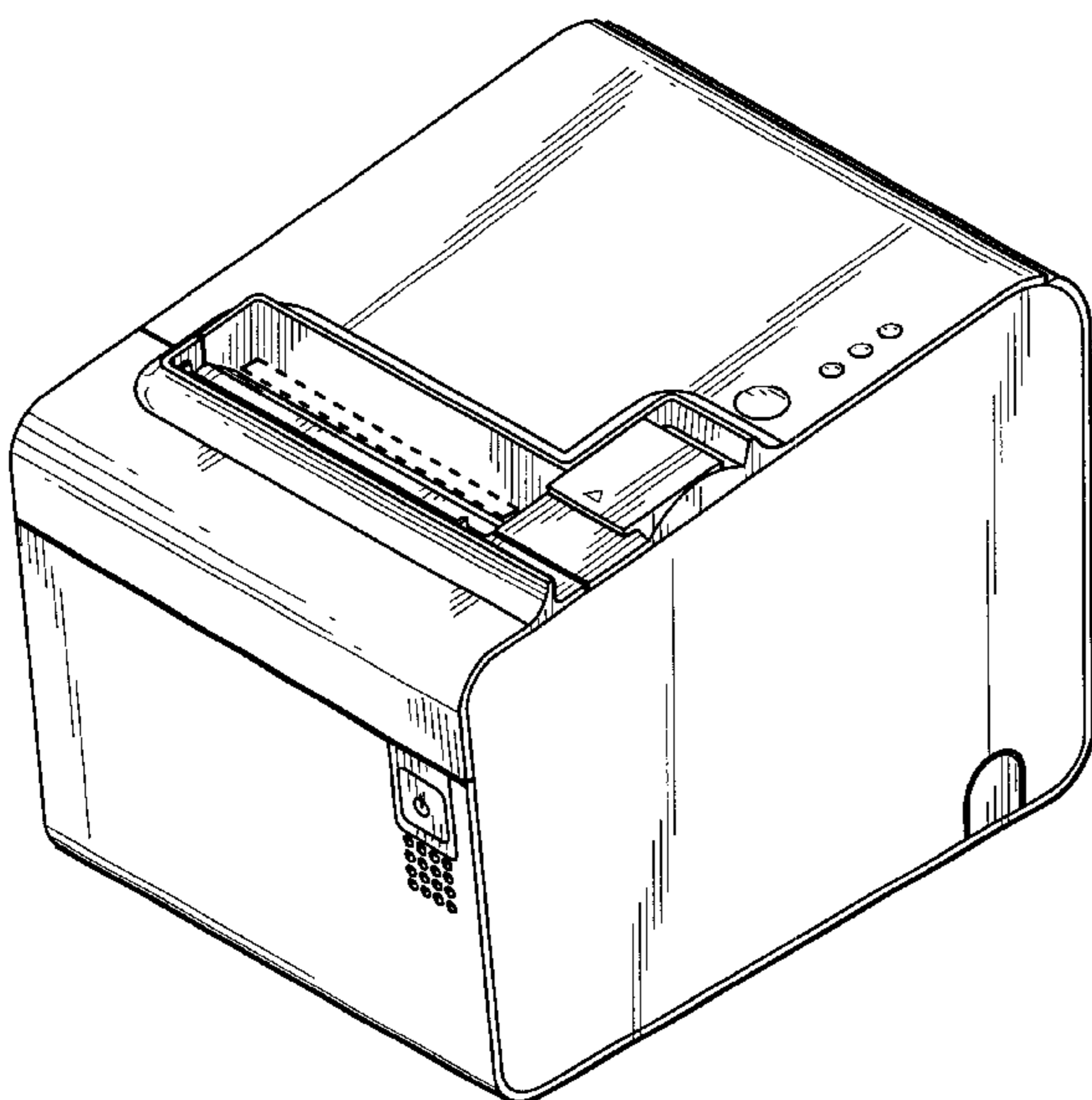
The ornamental design for a printer, as shown and described.

DESCRIPTION

FIG. 1 is a front view of a first embodiment for a printer;
 FIG. 2 is a rear view thereof;
 FIG. 3 is a left-side view thereof;
 FIG. 4 is a right-side view thereof;
 FIG. 5 is a top view thereof;
 FIG. 6 is a bottom view thereof;
 FIG. 7 is a perspective view thereof;
 FIG. 8 is a front view of a second embodiment of FIG. 1;
 FIG. 9 is a rear view of FIG. 8;
 FIG. 10 is a left-side view of FIG. 8;
 FIG. 11 is a right-side view of FIG. 8;
 FIG. 12 is a top view of FIG. 8;
 FIG. 13 is a bottom view of FIG. 8; and,
 FIG. 14 is a perspective view of FIG. 8.

The broken lines define the bounds of the claimed design but do not form part of the claimed design.

1 Claim, 8 Drawing Sheets



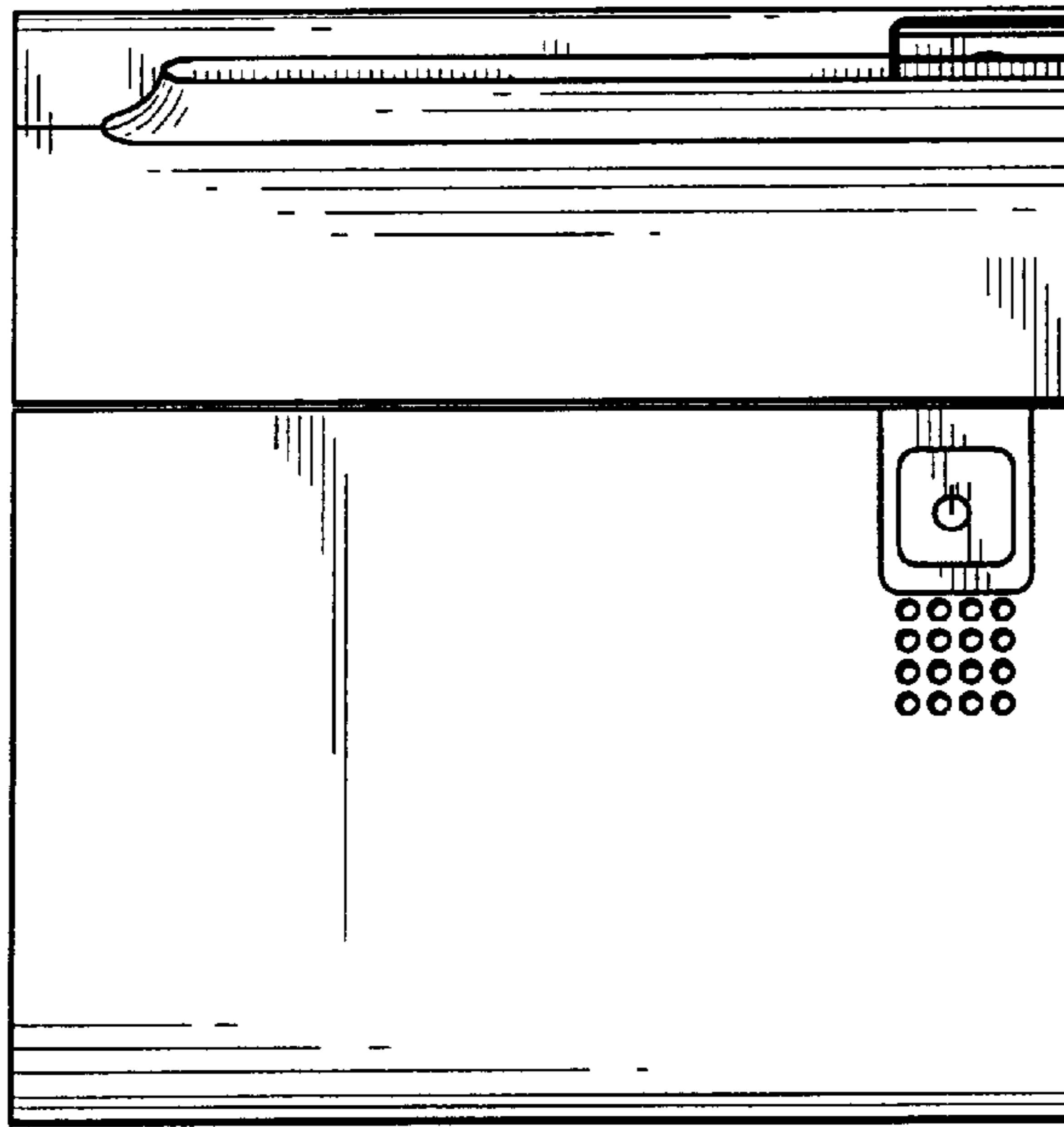


FIG. 1

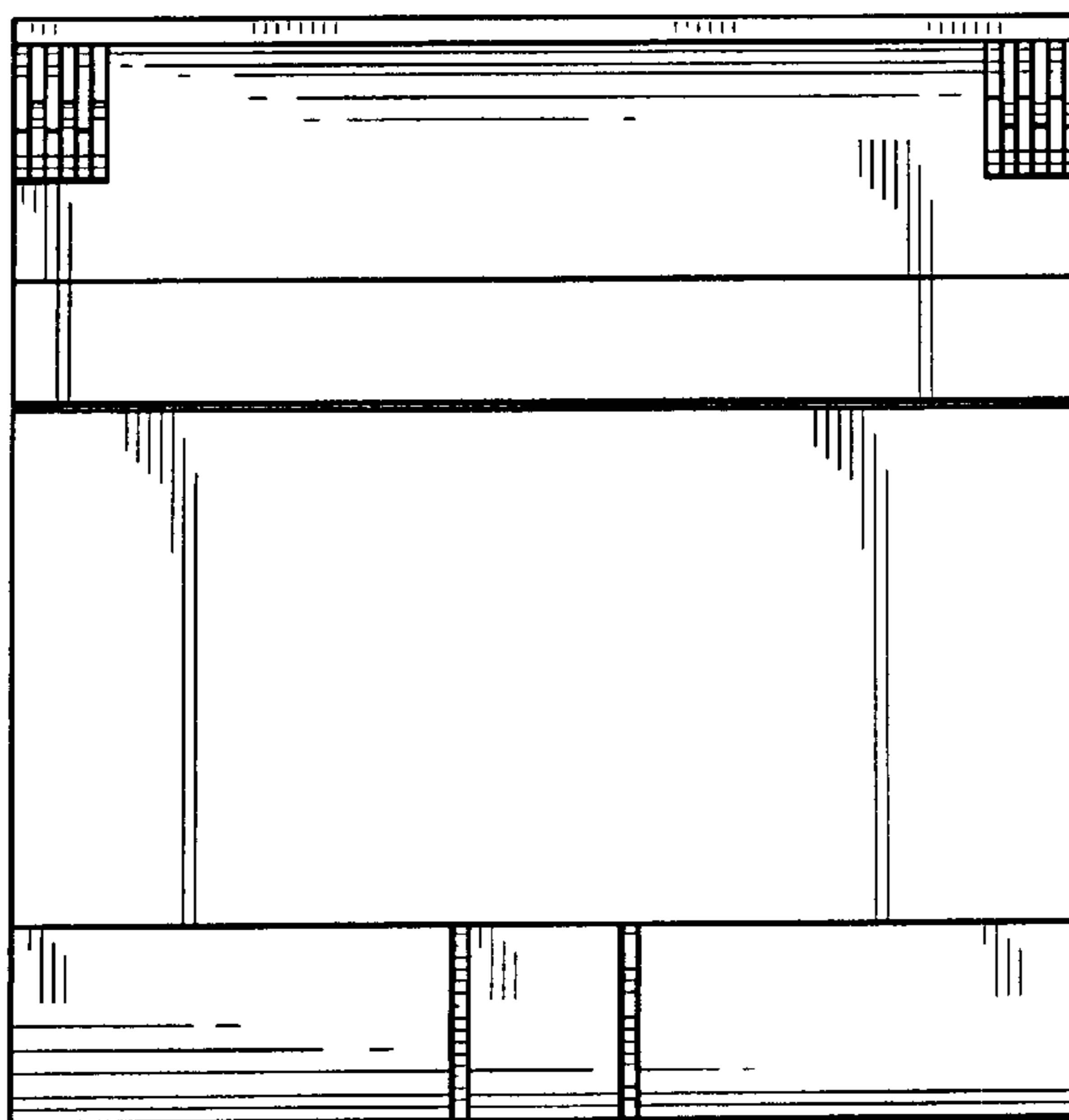


FIG. 2

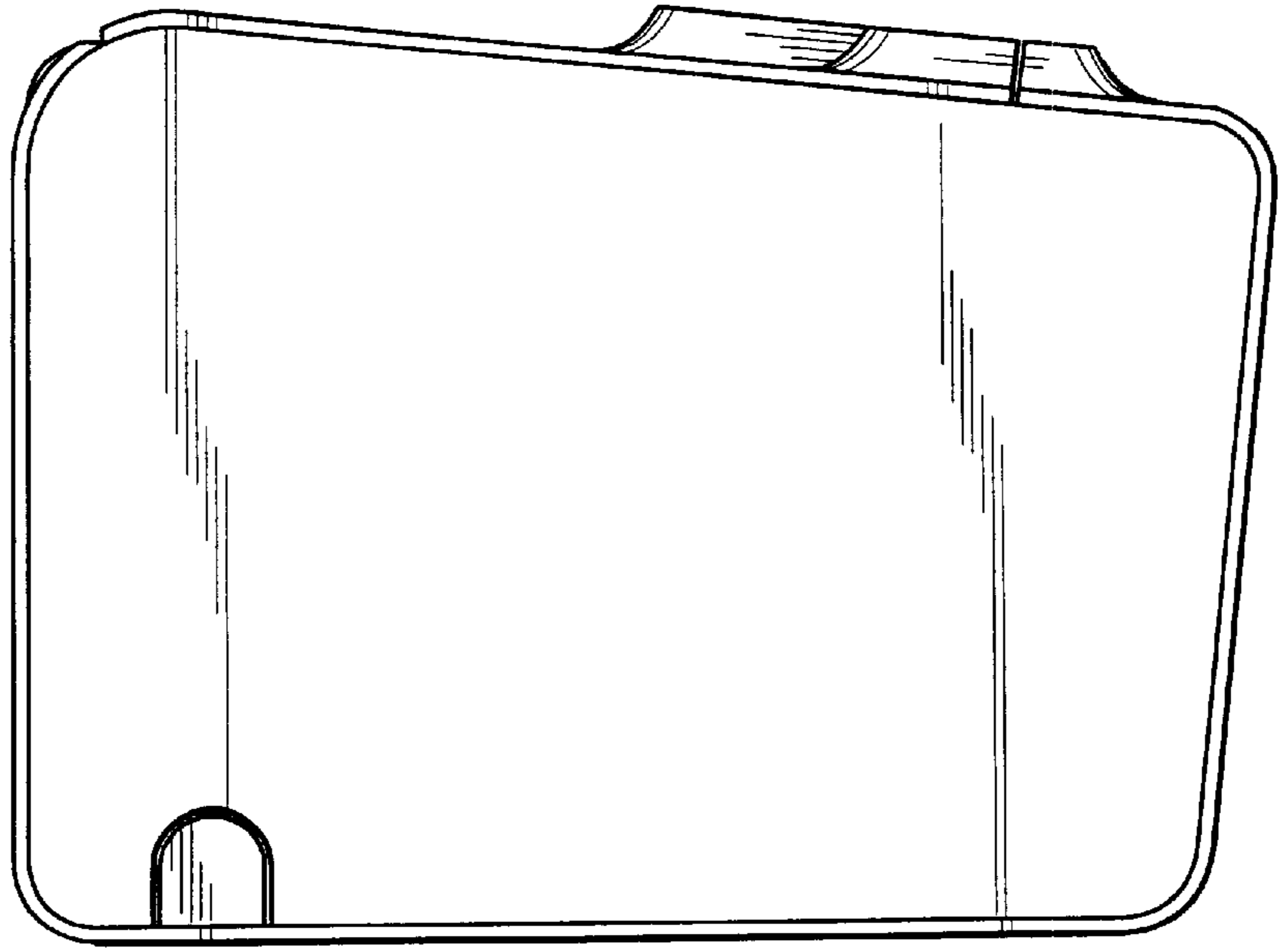


FIG. 3

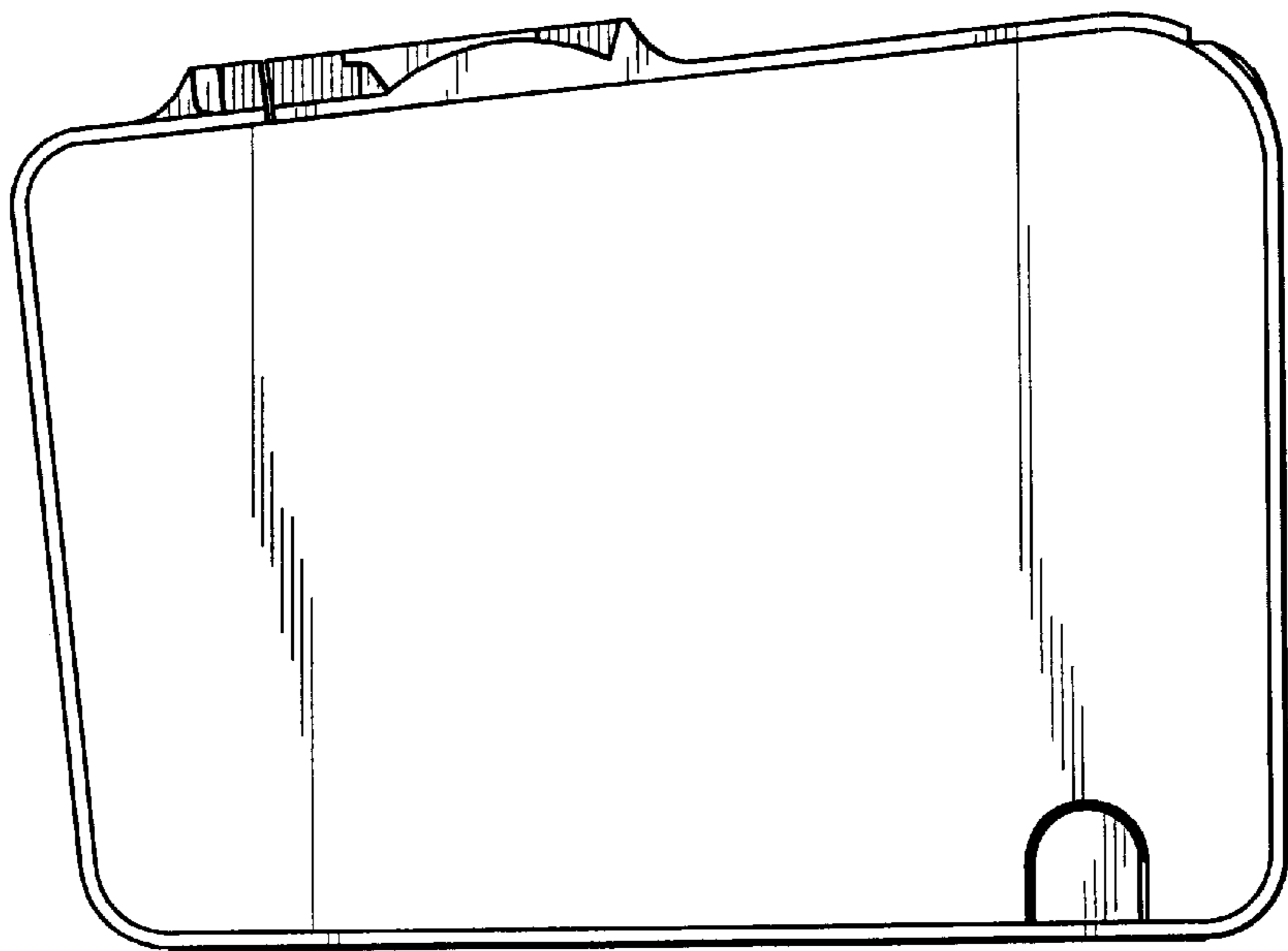


FIG. 4

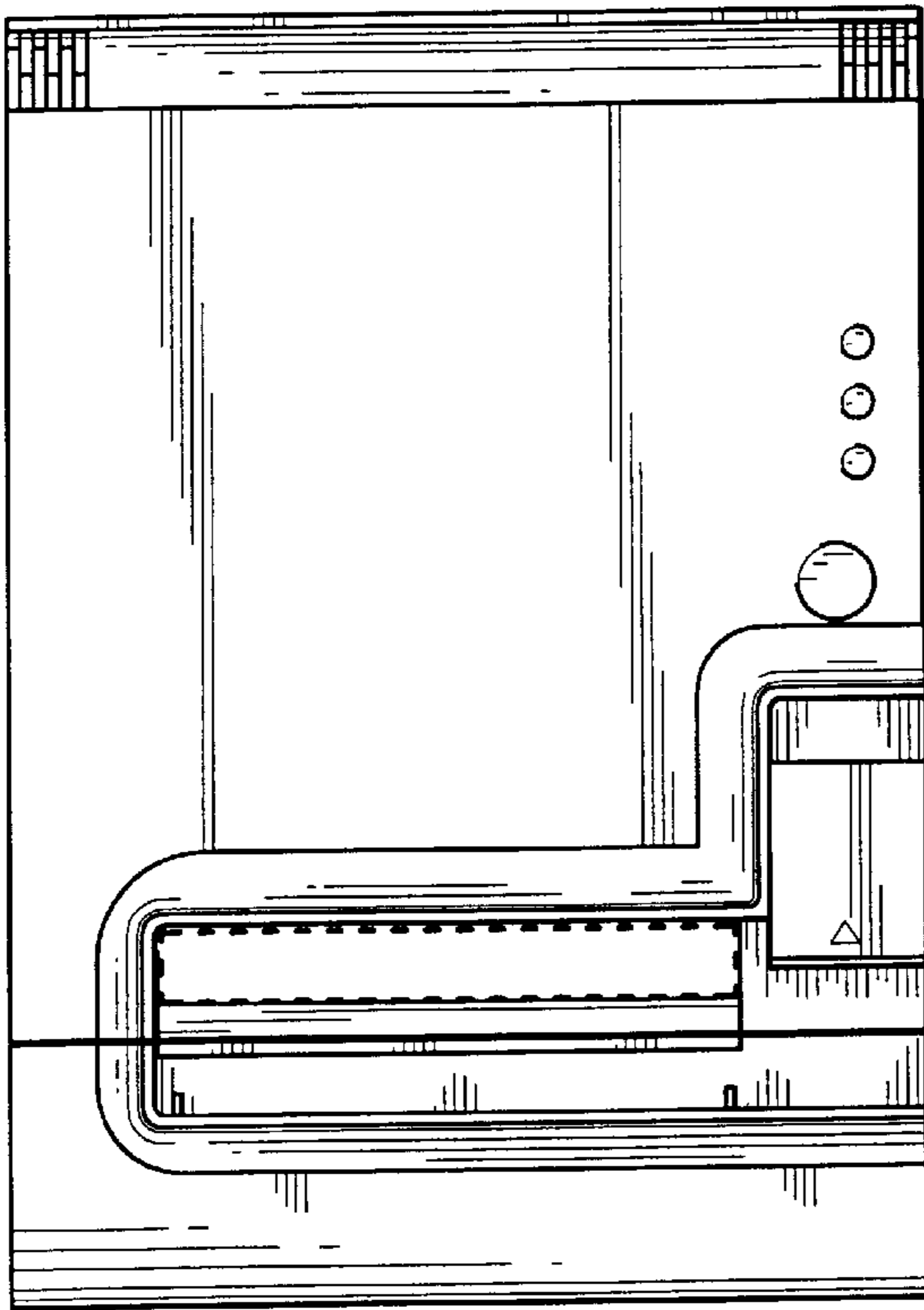


FIG. 5

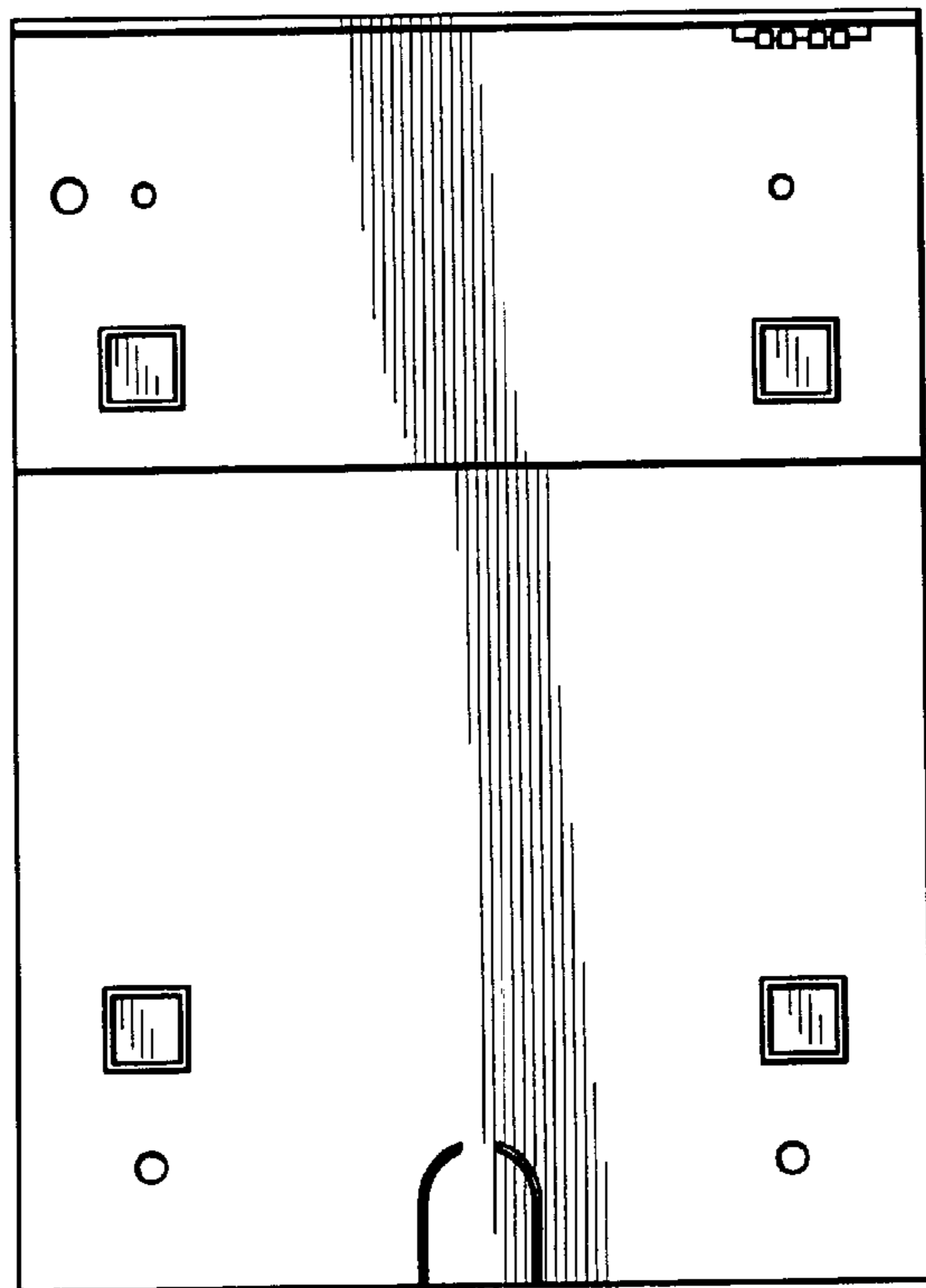


FIG. 6

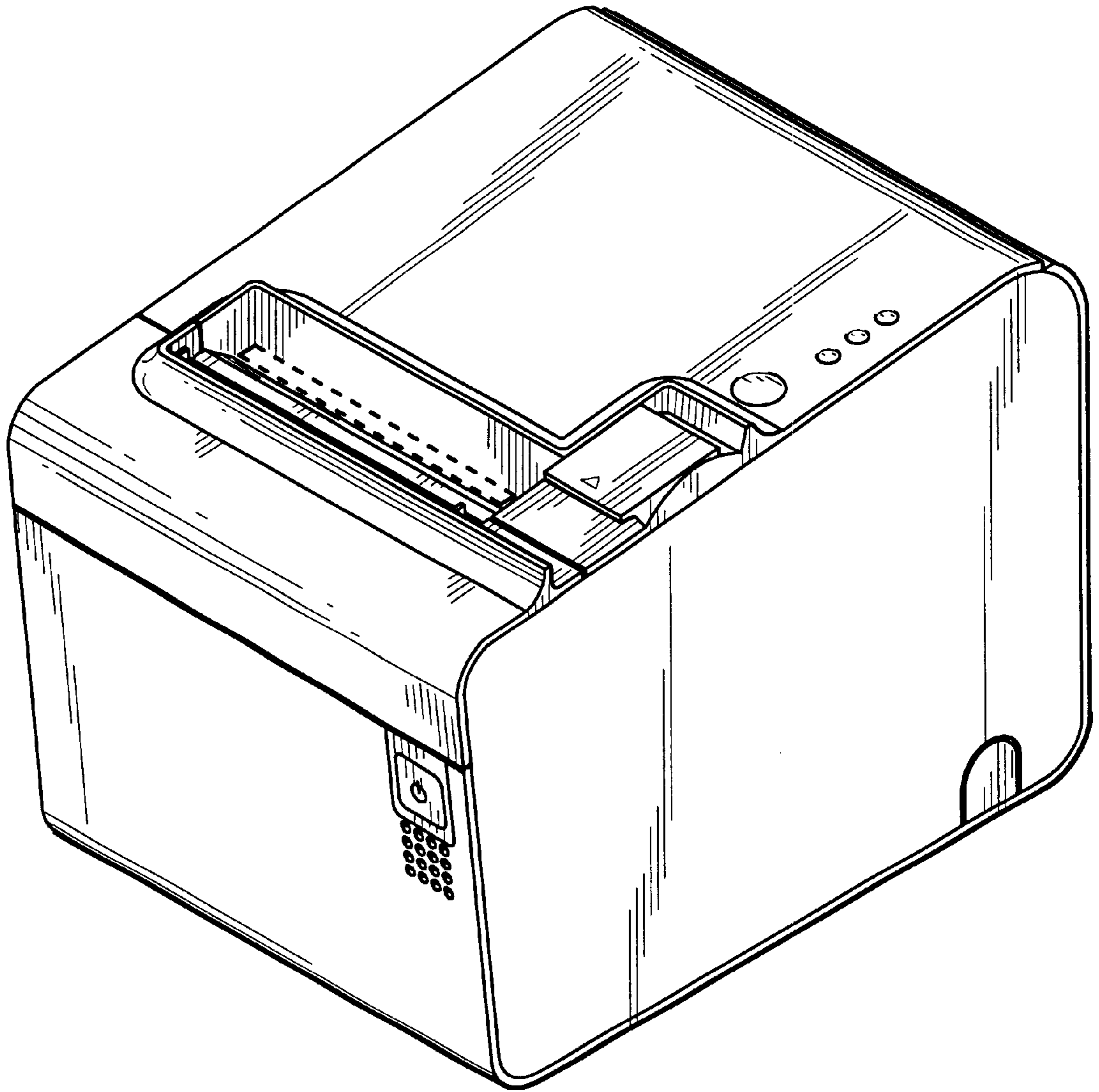


FIG. 7

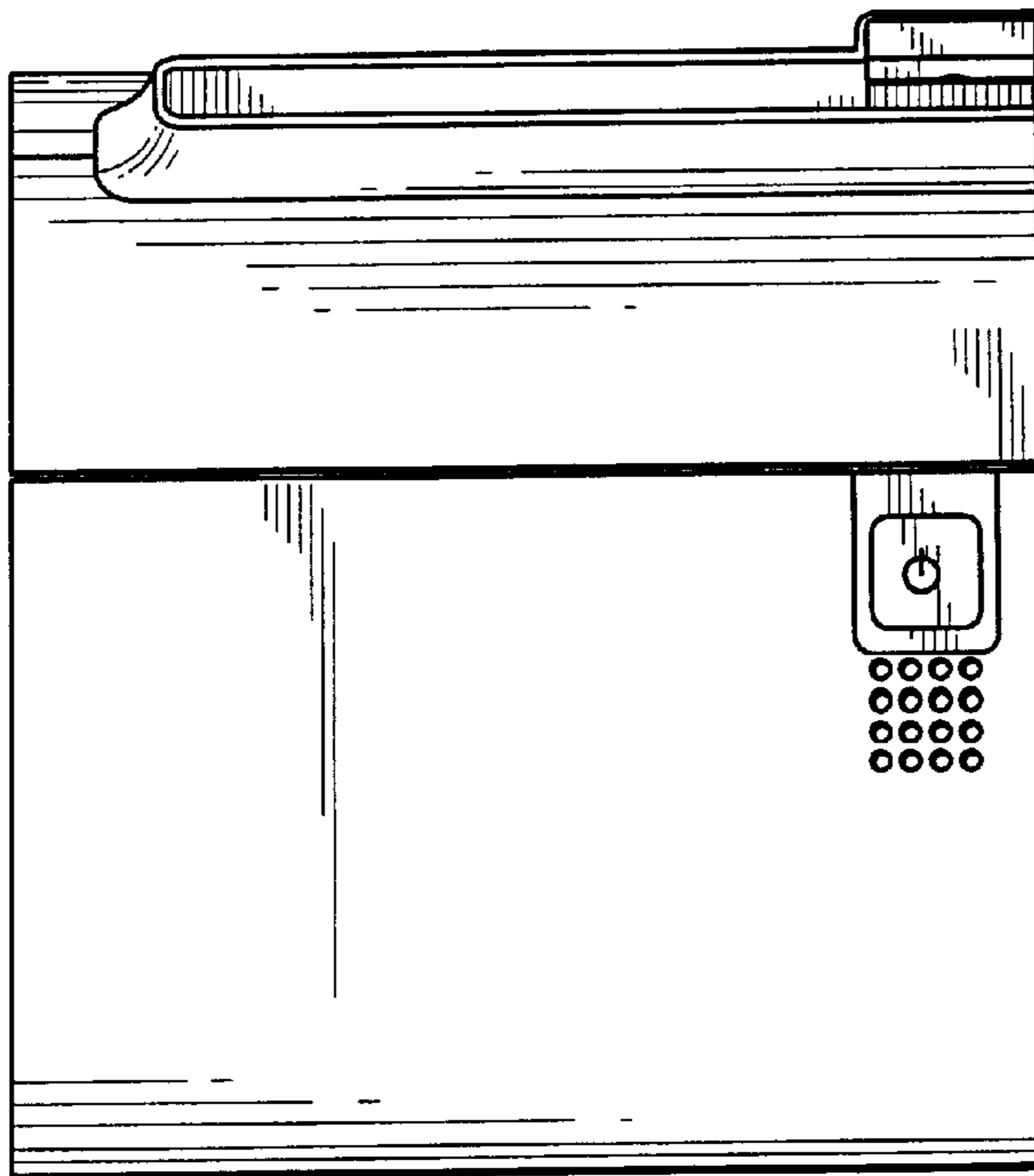


FIG. 8

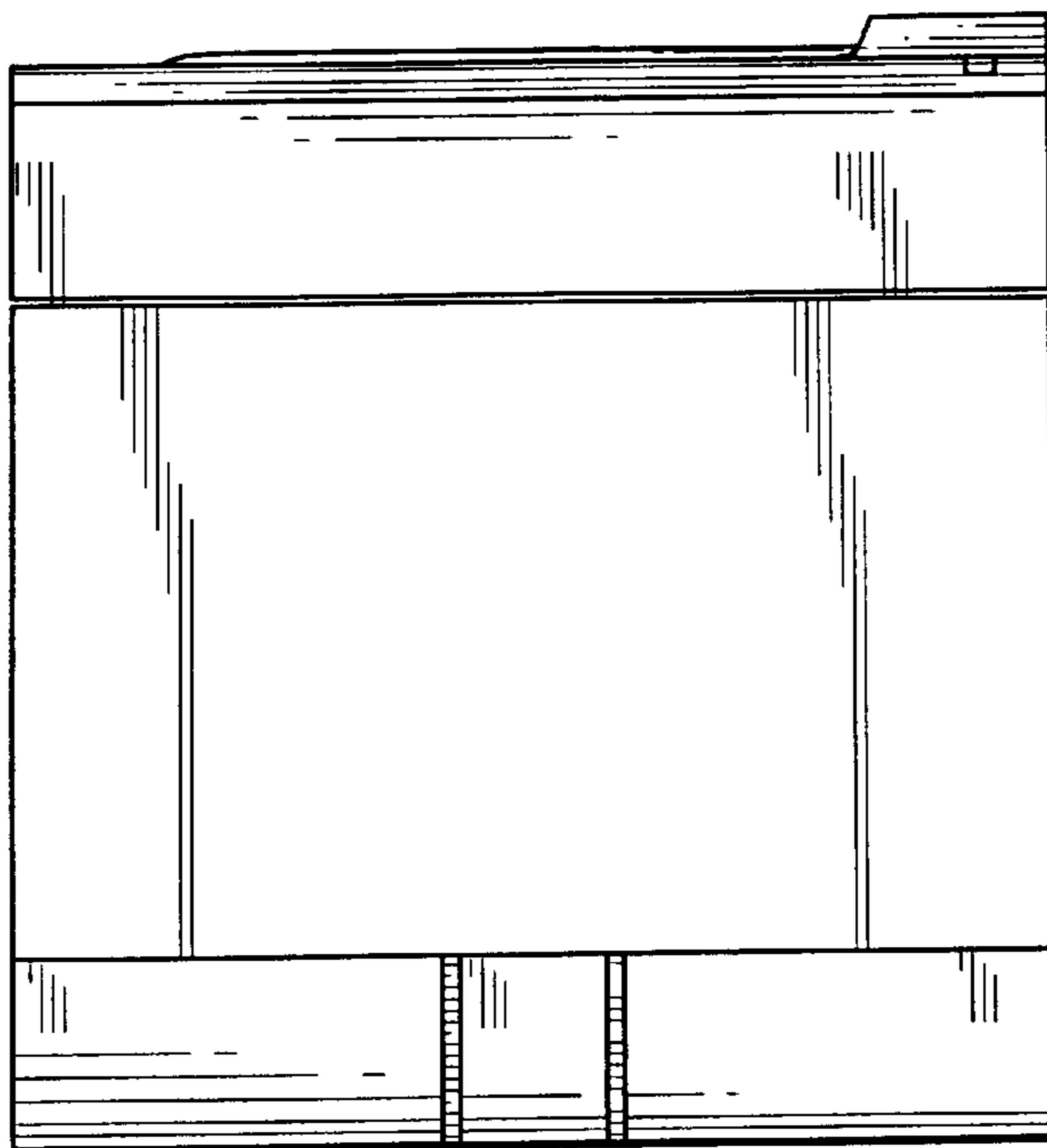


FIG. 9

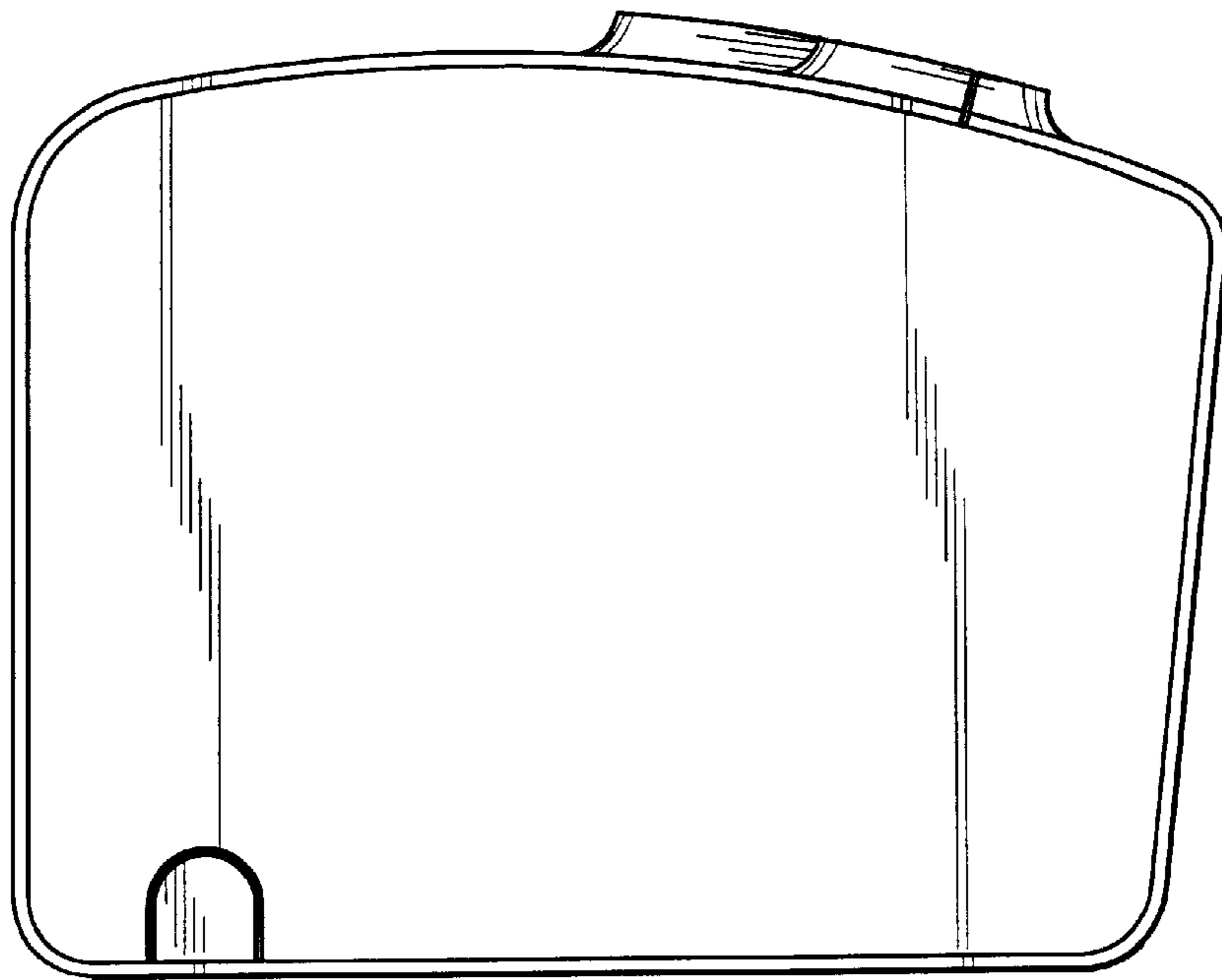


FIG. 10

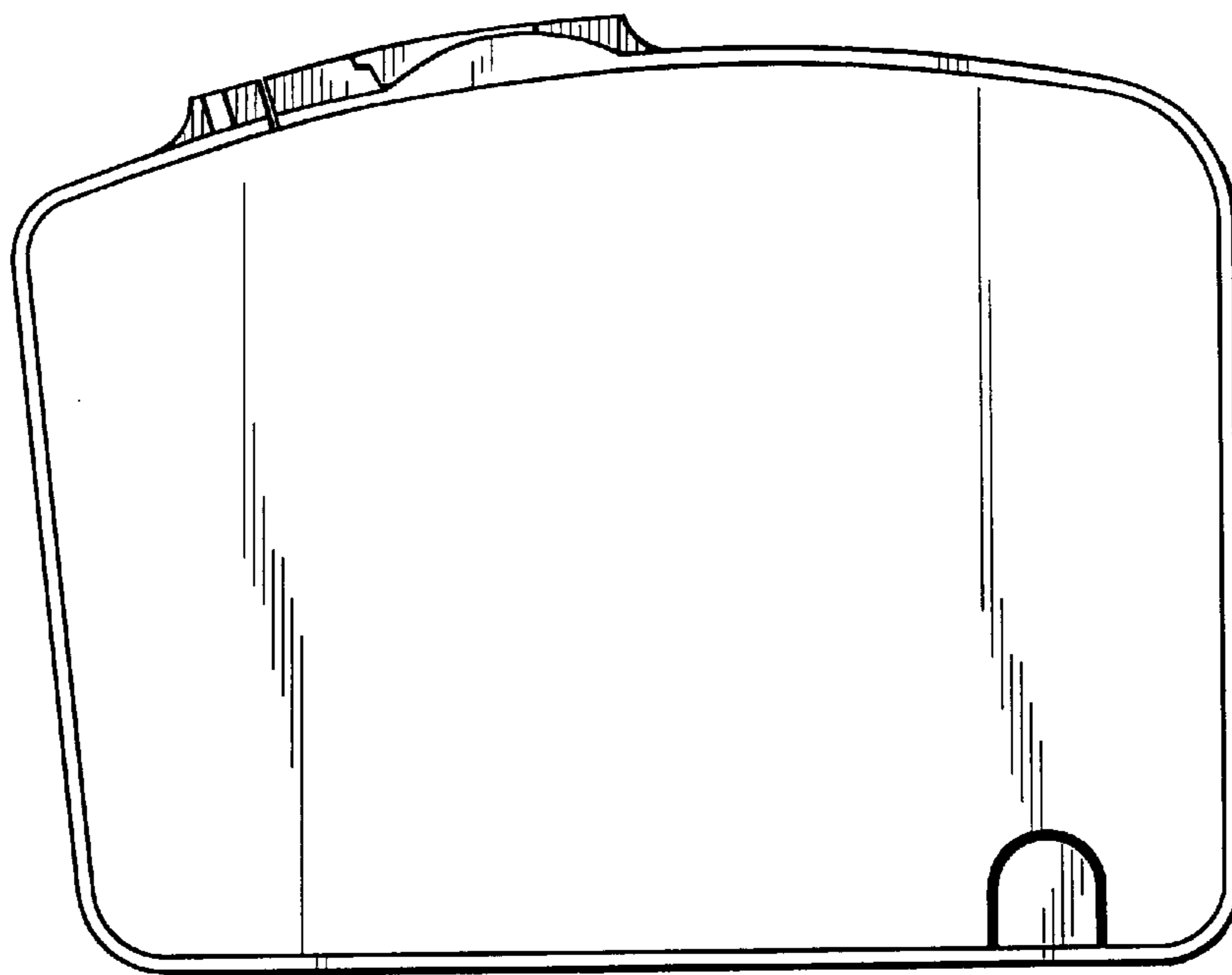


FIG. 11

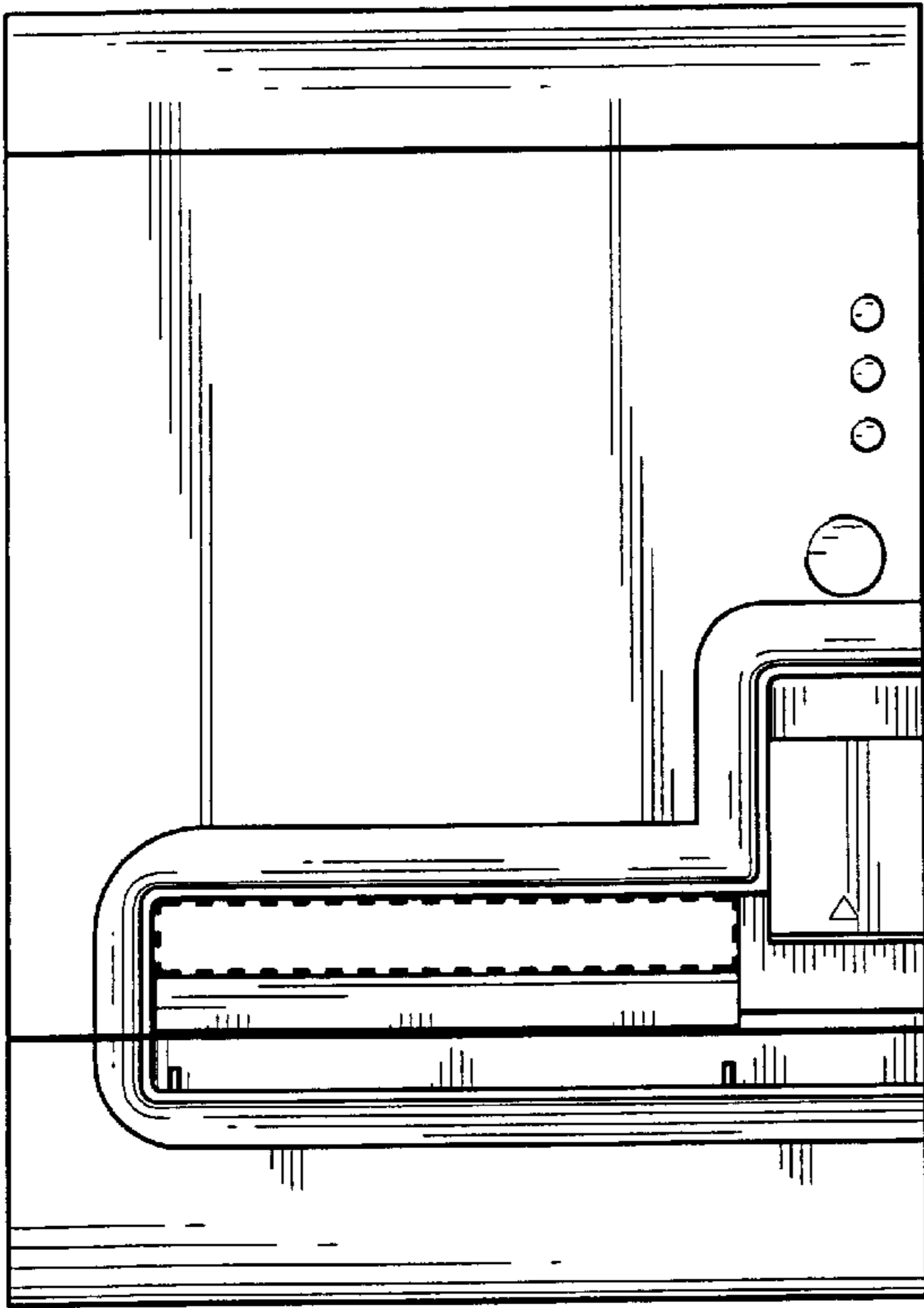


FIG. 12

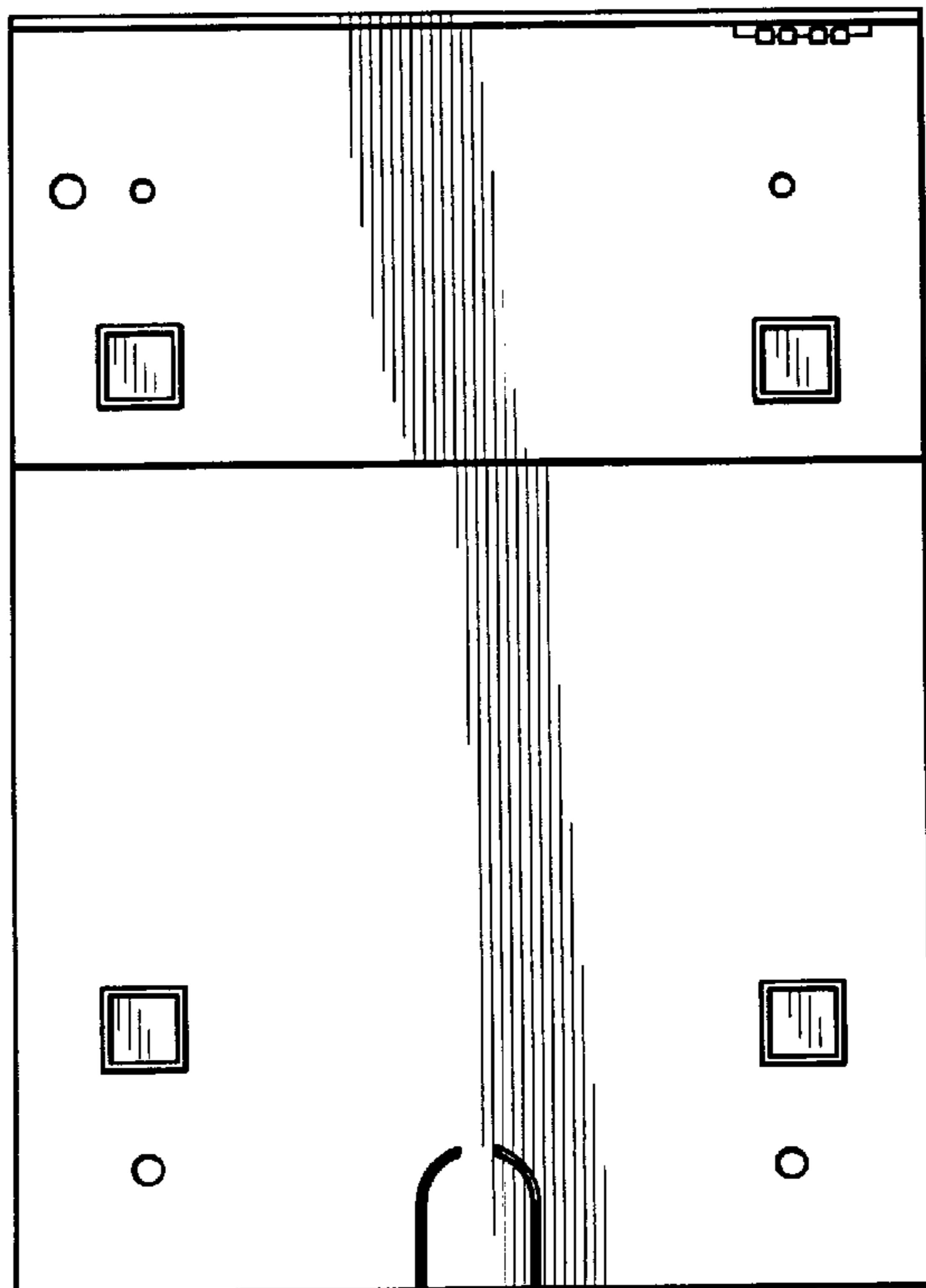


FIG. 13

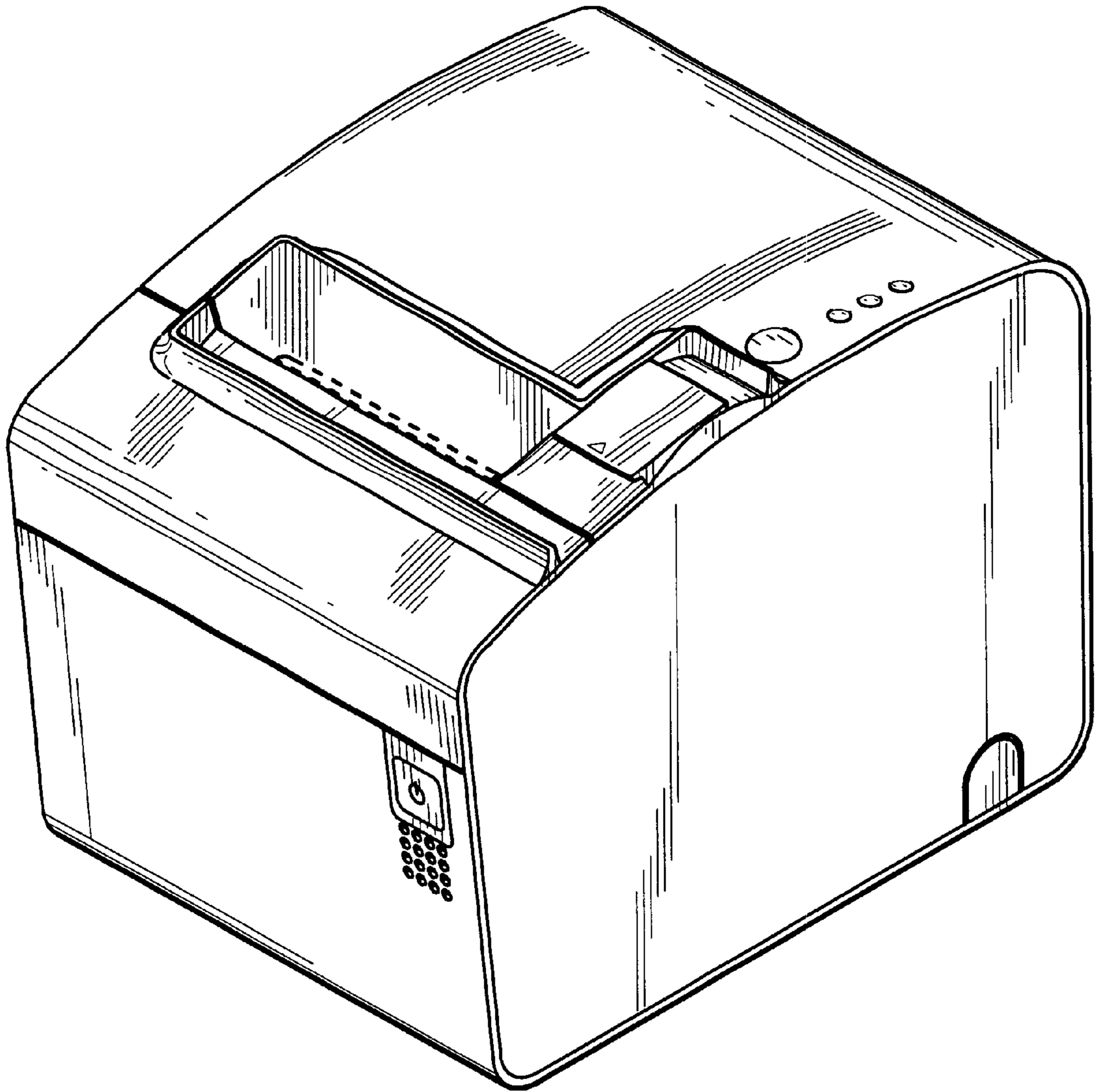


FIG. 14