



US00D465235S

(12) **United States Design Patent** (10) **Patent No.:** **US D465,235 S**
Heid (45) **Date of Patent:** **** Nov. 5, 2002**

(54) **ACOUSTIC SHIELD FOR MUSICIANS**

5,979,856 A * 11/1999 Hsu 248/441.1
6,143,970 A * 11/2000 Kowzan 84/453

(75) Inventor: **Barry T. Heid**, Yakima, WA (US)

OTHER PUBLICATIONS

(73) Assignee: **Manhasset Specialty Co.**, Yakima, WA (US)

“Acoustic Shield,” Wenger catalog, p. 18 (undated).
“Flector Personal Monitor Disc,” ClearSonic Mfg., Inc. 2000; website www.clearsonic.com/flector.html, Jan. 8, 2001.

(**) Term: **14 Years**

* cited by examiner

(21) Appl. No.: **29/135,511**

(22) Filed: **Jan. 12, 2001**

Primary Examiner—Adir Aronovich

(51) **LOC (7) Cl.** **17-99**

(74) *Attorney, Agent, or Firm*—Stratton Ballew PLLC

(52) **U.S. Cl.** **D17/99; D6/419**

(57) **CLAIM**

(58) **Field of Search** D6/419, 420; D17/99;
84/327–329, 453; 248/441.1, 446, 447,
448, 460

The ornamental design for an acoustic shield for musicians, as shown and described.

(56) **References Cited**

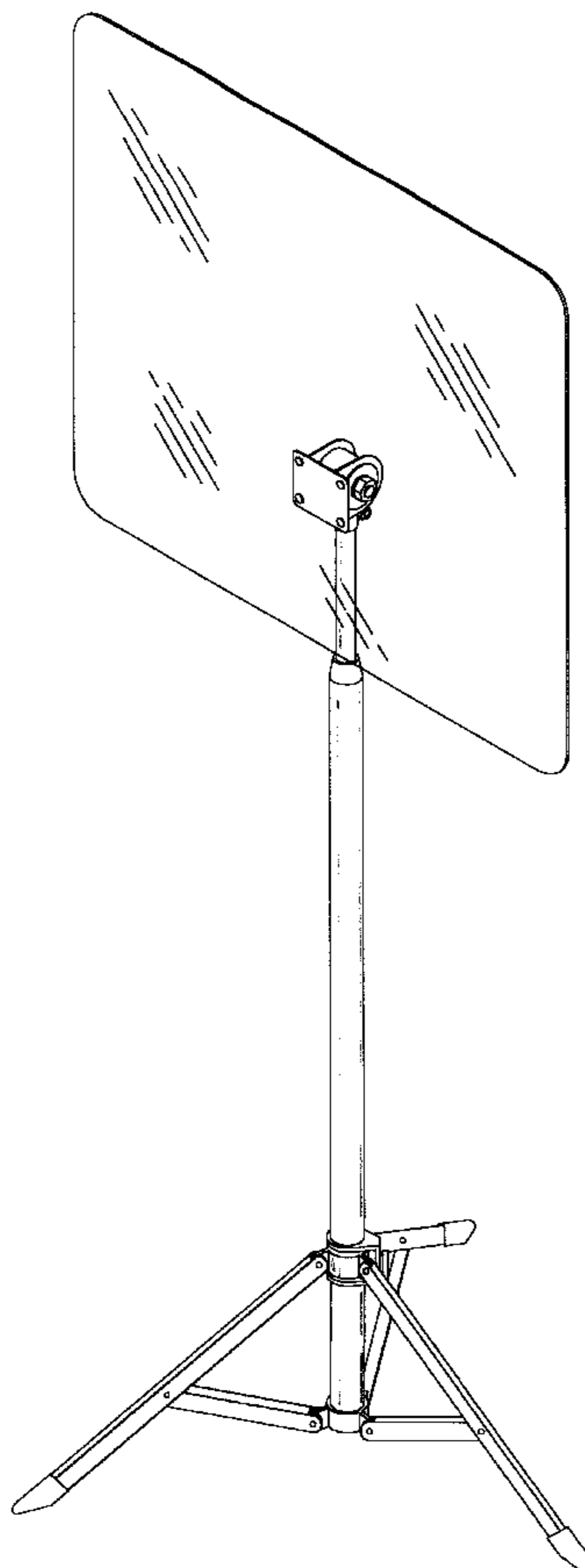
DESCRIPTION

U.S. PATENT DOCUMENTS

4,516,656 A	5/1985	Fleshler	181/175
D314,873 S	2/1991	Wenger et al.	D6/419
D320,319 S	10/1991	Brothers et al.	D6/419
5,356,109 A	* 10/1994	Biasini	248/448
D365,825 S	1/1996	Abraham	D14/299
5,636,824 A	* 6/1997	Biasini et al.	248/441.1
D388,262 S	* 12/1997	Benting et al.	D6/419
5,833,199 A	* 11/1998	Benting et al.	248/441.1

FIG. 1 is a front perspective view of an acoustic shield with the clear panel member in a substantially vertical position; FIG. 2 is a rear perspective view of the acoustic shield with the clear panel member in a substantially vertical position; and, FIG. 3 is a perspective view of the acoustic shield with the clear panel member in an angled position.

1 Claim, 3 Drawing Sheets



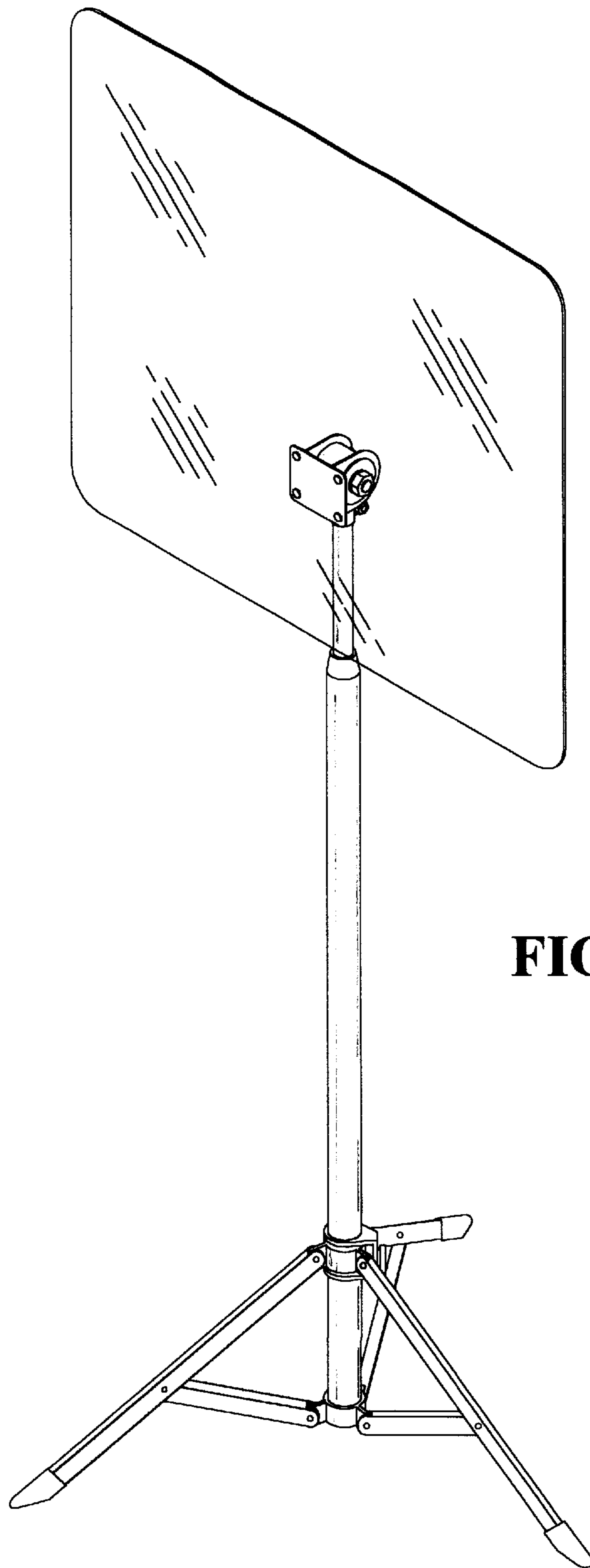


FIG. 1

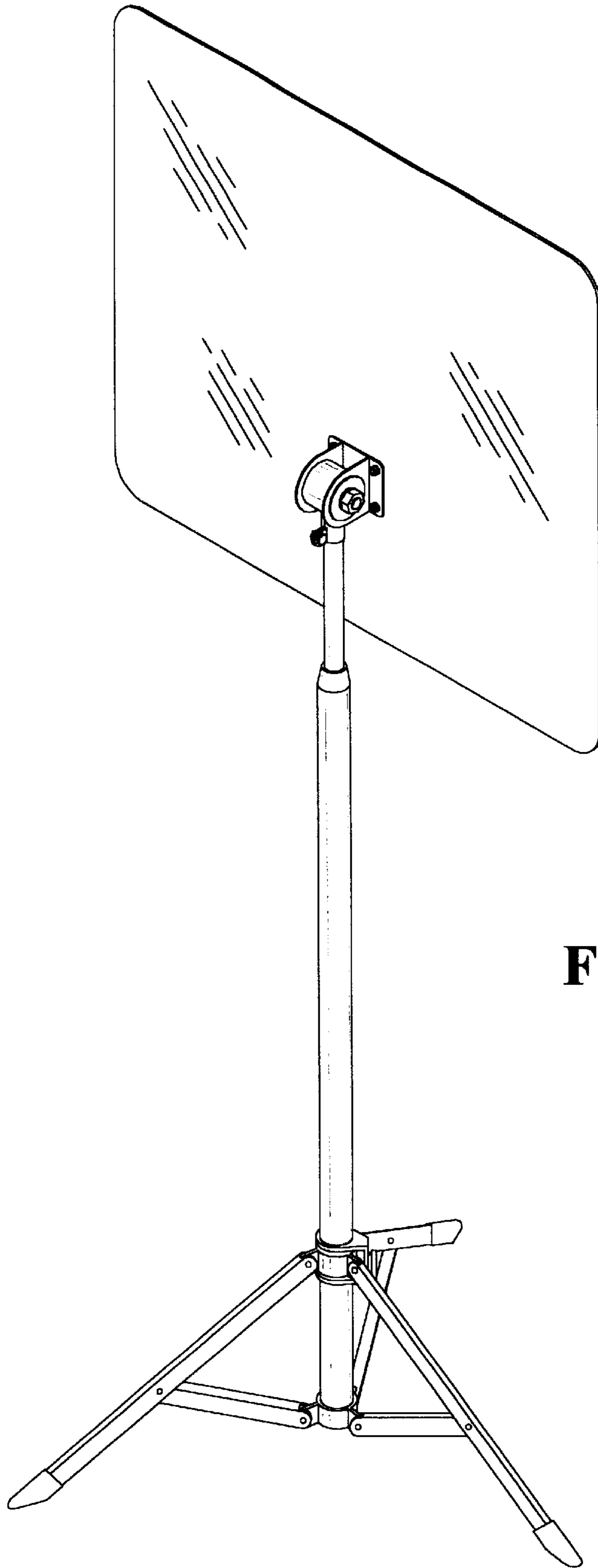


FIG. 2

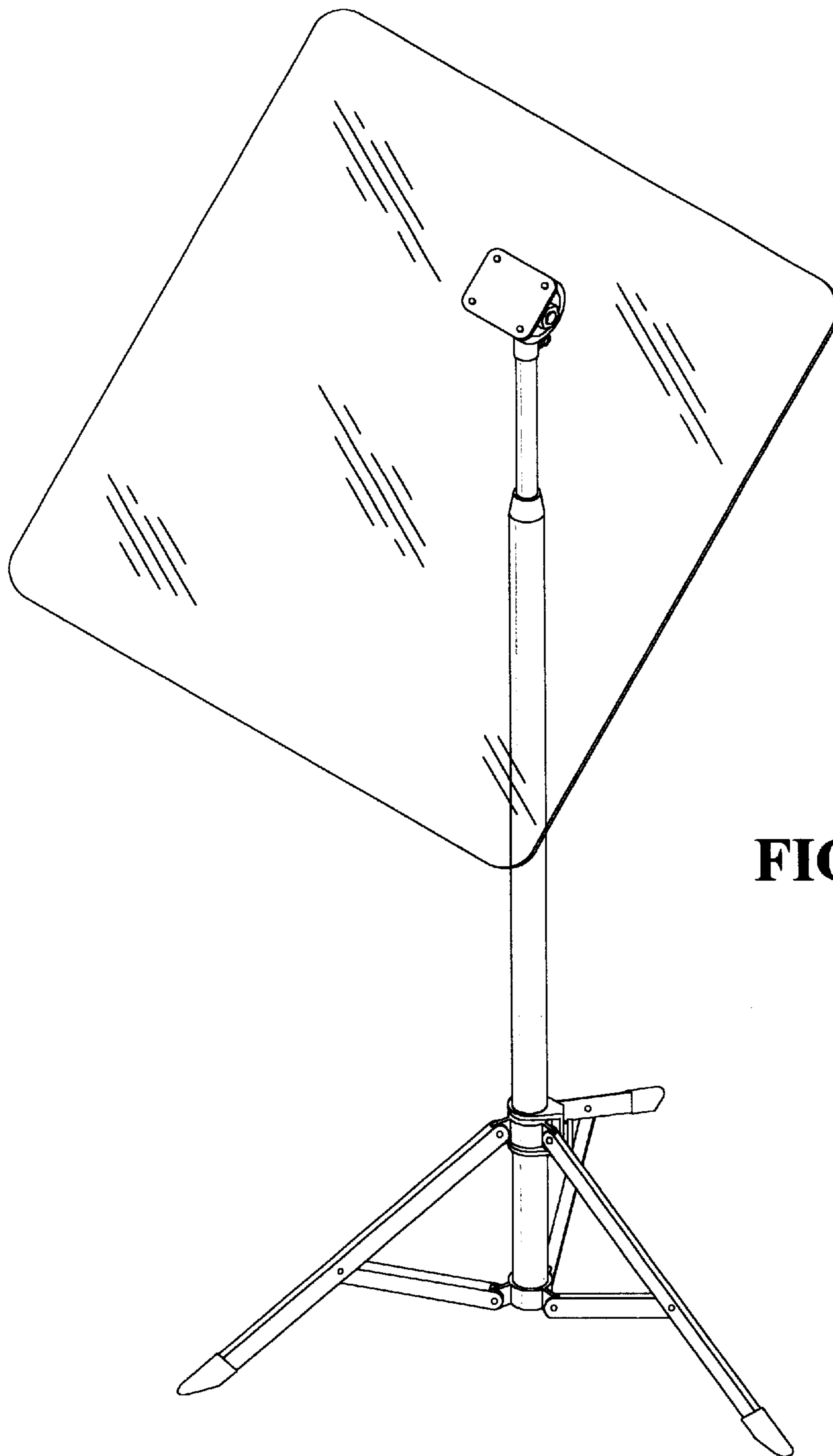


FIG. 3