



US00D465232S

(12) **United States Design Patent**
Udagawa

(10) **Patent No.:** **US D465,232 S**

(45) **Date of Patent:** **** Nov. 5, 2002**

(54) **CYLINDER OPERATED BY FLUID PRESSURE**

6,257,117 B1 * 7/2001 Yagishita 91/169

* cited by examiner

(75) Inventor: **Hiroshi Udagawa, Soka (JP)**

Primary Examiner—Antoine Duval Davis

(73) Assignee: **SMC Kabushiki Kaisha, Tokyo (JP)**

(74) *Attorney, Agent, or Firm*—Frishauf, Holtz, Goodman & Chick, P.C.

(**) Term: **14 Years**

(57) **CLAIM**

(21) Appl. No.: **29/149,738**

The ornamental design for a cylinder operated by fluid pressure, as shown.

(22) Filed: **Oct. 15, 2001**

DESCRIPTION

(30) **Foreign Application Priority Data**

Apr. 17, 2001 (JP) 2001-010988

FIG. 1 is a top, front and left side perspective view of a cylinder operated by fluid pressure showing my new design;

(51) **LOC (7) Cl.** **15-09**

FIG. 2 is a front view thereof;

(52) **U.S. Cl.** **D15/148; D10/83; D10/94**

FIG. 3 is a rear view thereof;

(58) **Field of Search** **D10/83, 94; D15/148;**

FIG. 4 is a top plan view thereof;

92/29, 62, 109-112, 139, 169.1, 169.2, 169.3, 169.4, 171.1, 151; 91/169

FIG. 5 is a bottom plan view thereof;

FIG. 6 is a right side view thereof; and,

FIG. 7 is a left side view thereof.

(56) **References Cited**

Portions of the cylinder operated by fluid pressure are shown in broken lines for illustrative purposes only and form no part of the claimed design.

U.S. PATENT DOCUMENTS

5,361,680 A * 11/1994 Matsui 92/29 X

1 Claim, 4 Drawing Sheets

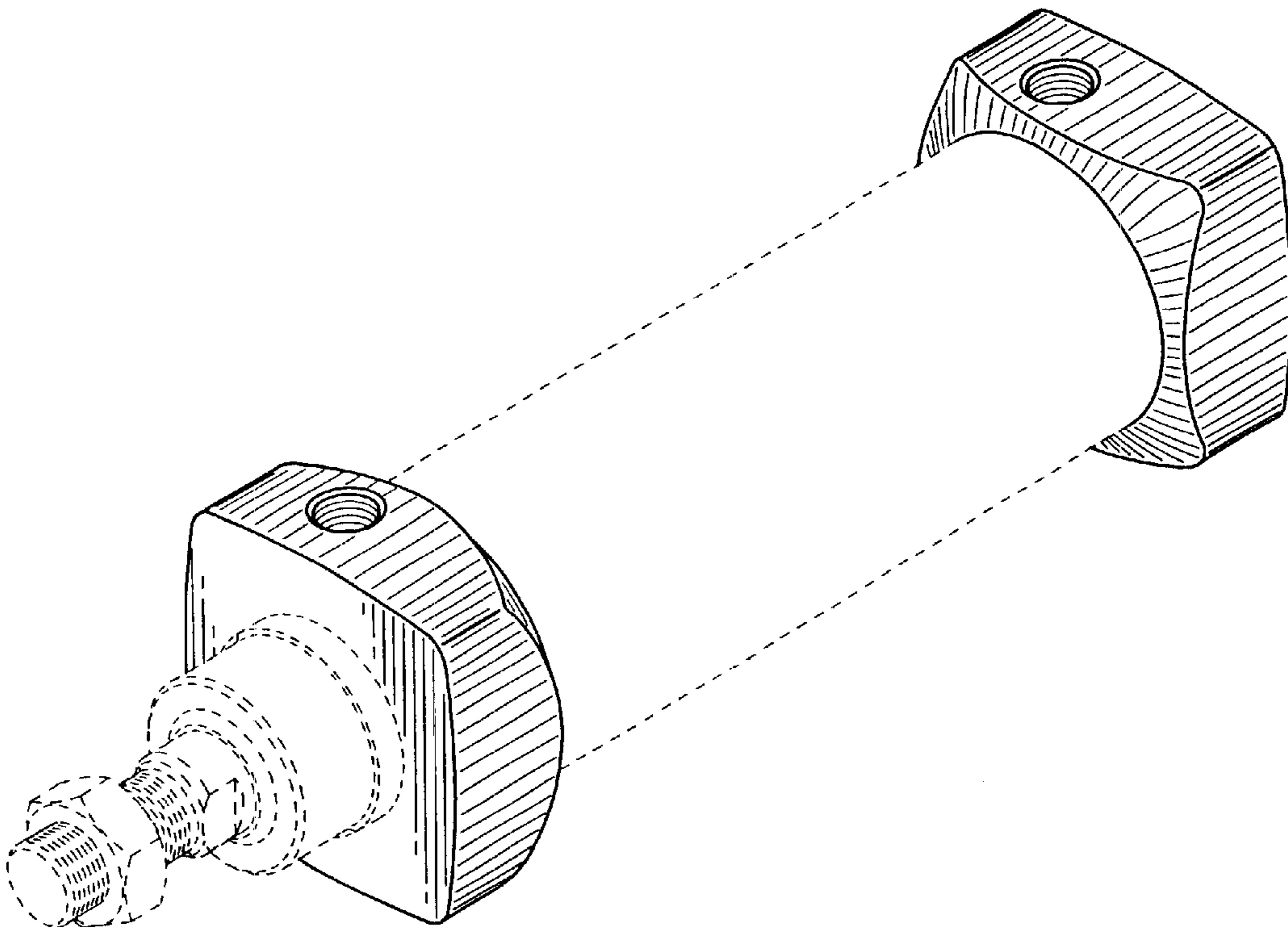


FIG. 1

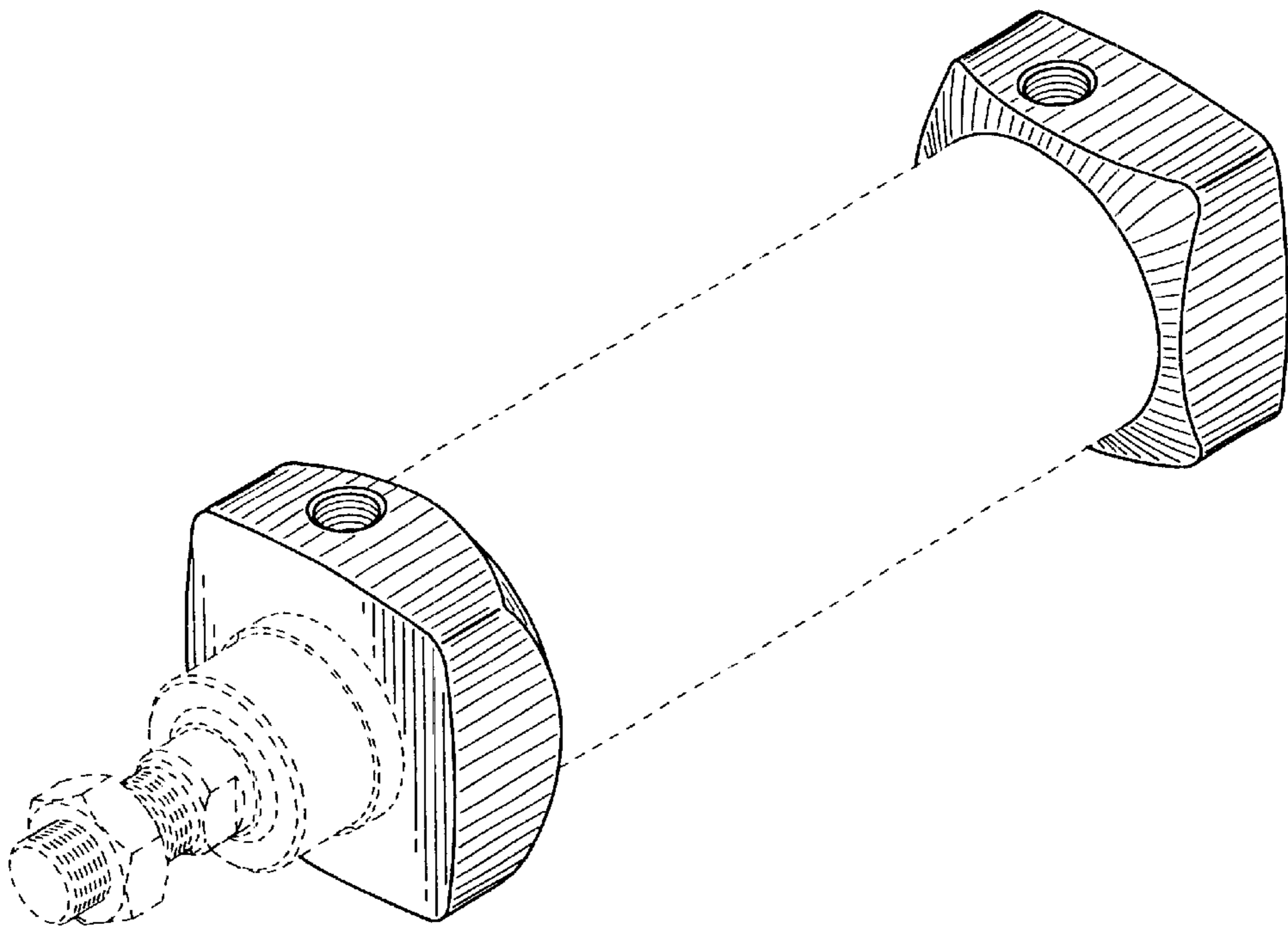


FIG. 2



FIG. 3

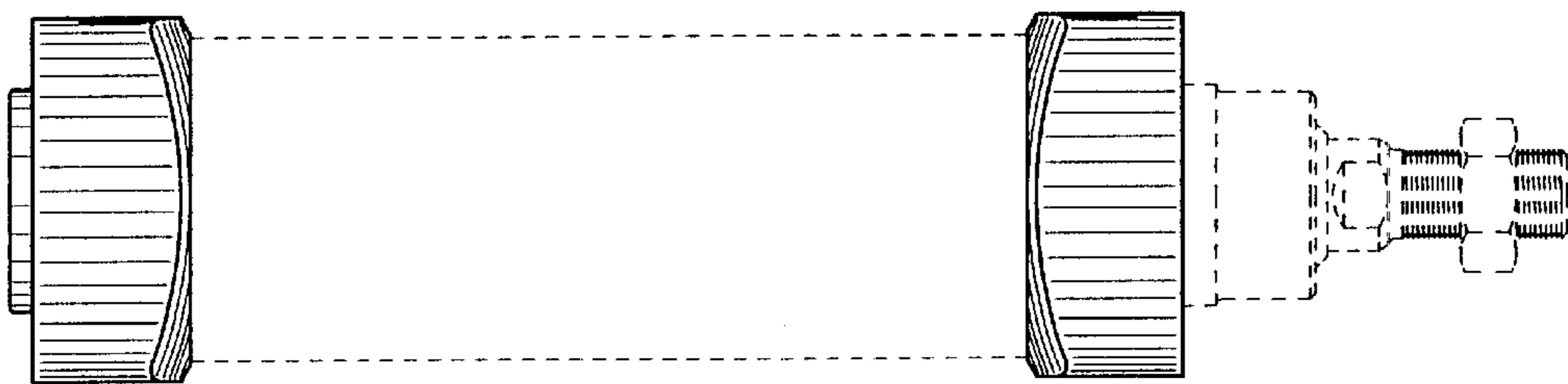


FIG. 4

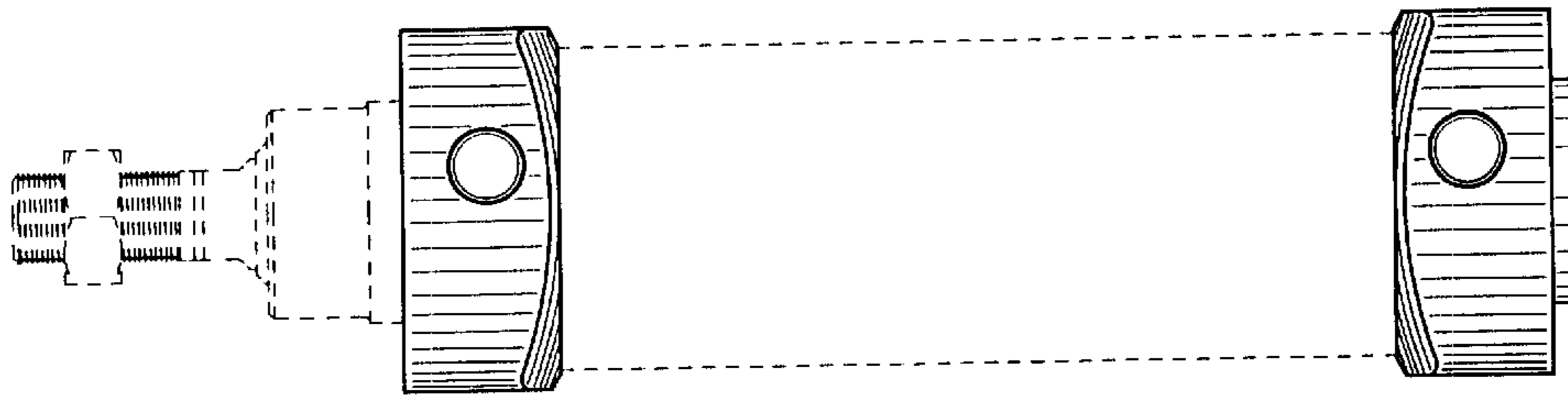


FIG. 5

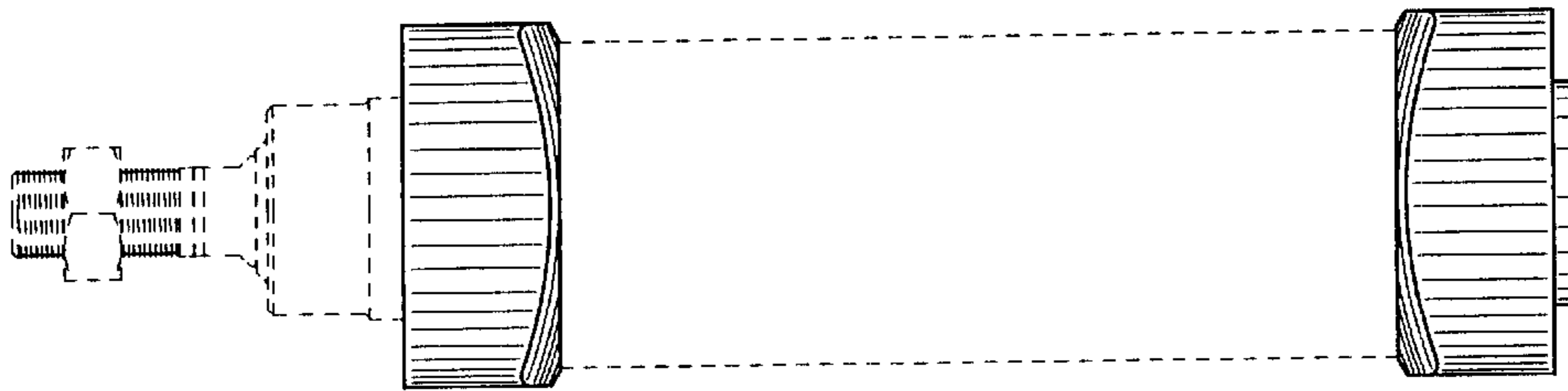


FIG. 6

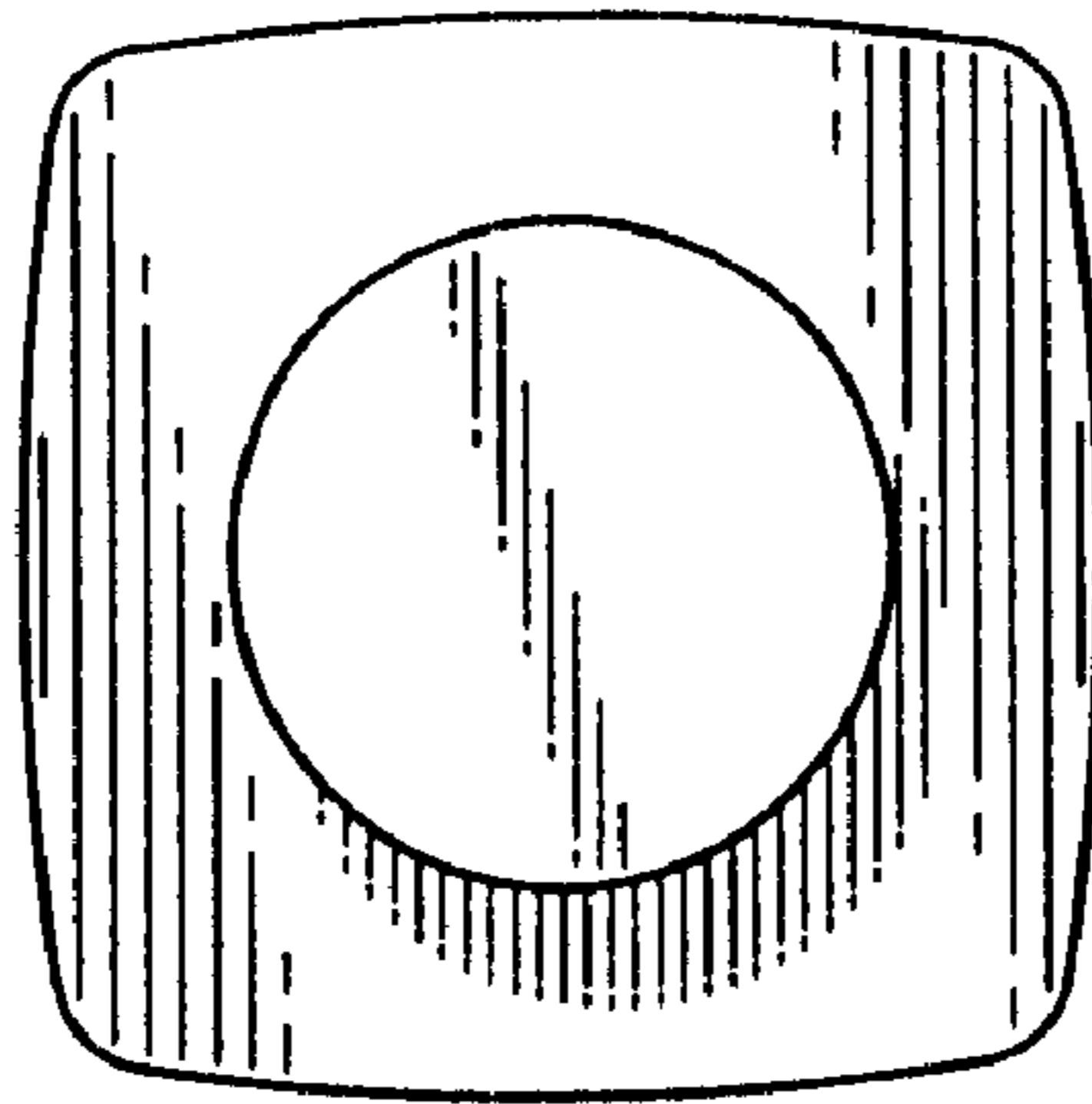


FIG. 7

