



US00D465230S

(12) **United States Design Patent**  
**Kreger et al.**

(10) **Patent No.:** **US D465,230 S**

(45) **Date of Patent:** **\*\* Nov. 5, 2002**

(54) **AUGER SYSTEM CONTROL UNIT**

(75) Inventors: **Lionel Leslie Kreger**, Warsaw, IN  
(US); **Theodore John Cole**, Milford,  
IN (US); **Charles R. Bird**, Milford, IN  
(US)

(73) Assignee: **CTB IP, Inc.**, Wilmington, DE (US)

(\*\*) Term: **14 Years**

(21) Appl. No.: **29/148,611**

(22) Filed: **Sep. 24, 2001**

(51) **LOC (7) Cl.** ..... **15-09**

(52) **U.S. Cl.** ..... **D15/138**

(58) **Field of Search** ..... D15/127, 130,  
D15/138, 139; 175/257-292, 327-435

(56) **References Cited**

**U.S. PATENT DOCUMENTS**

4,235,200 A	11/1980	Shay	119/51.11
4,502,416 A	3/1985	Keysell et al.	119/51.11
4,722,301 A	2/1988	Strong	119/52
4,815,417 A	3/1989	Strong	119/52
5,551,374 A	9/1996	Wells	119/71
5,555,842 A	9/1996	Chocola et al.	119/51.11
5,605,113 A	2/1997	Krehl	119/57.92
5,674,005 A	10/1997	Corey et al.	366/132

5,782,201 A	7/1998	Wells	119/57.4
5,784,996 A	7/1998	Krehl	119/57.92
5,906,293 A	5/1999	Geiser et al.	222/1
6,050,220 A	4/2000	Kimmel et al.	119/53
6,129,163 A	* 10/2000	Hamilton et al.	175/403
6,223,838 B1	* 5/2001	Dengel et al.	175/402 X

\* cited by examiner

*Primary Examiner*—Antoine Duval Davis

(74) *Attorney, Agent, or Firm*—Trexler, Bushnell,  
Giangiorgi, Blackstone & Marr, Ltd.

(57) **CLAIM**

The ornamental design for an auger system control unit, as shown and described.

**DESCRIPTION**

FIG. 1 is a perspective view of the present invention, with environmental structure that forms no part of the design to be patented, shown in broken lines;  
FIG. 2 is a front elevational view of the present invention;  
FIG. 3 is a right side elevational view of the present invention;  
FIG. 4 is a rear elevational view of the present invention;  
FIG. 5 is a left side elevational view of the present invention;  
and,  
FIG. 6 is a top view of the present invention.

**1 Claim, 3 Drawing Sheets**

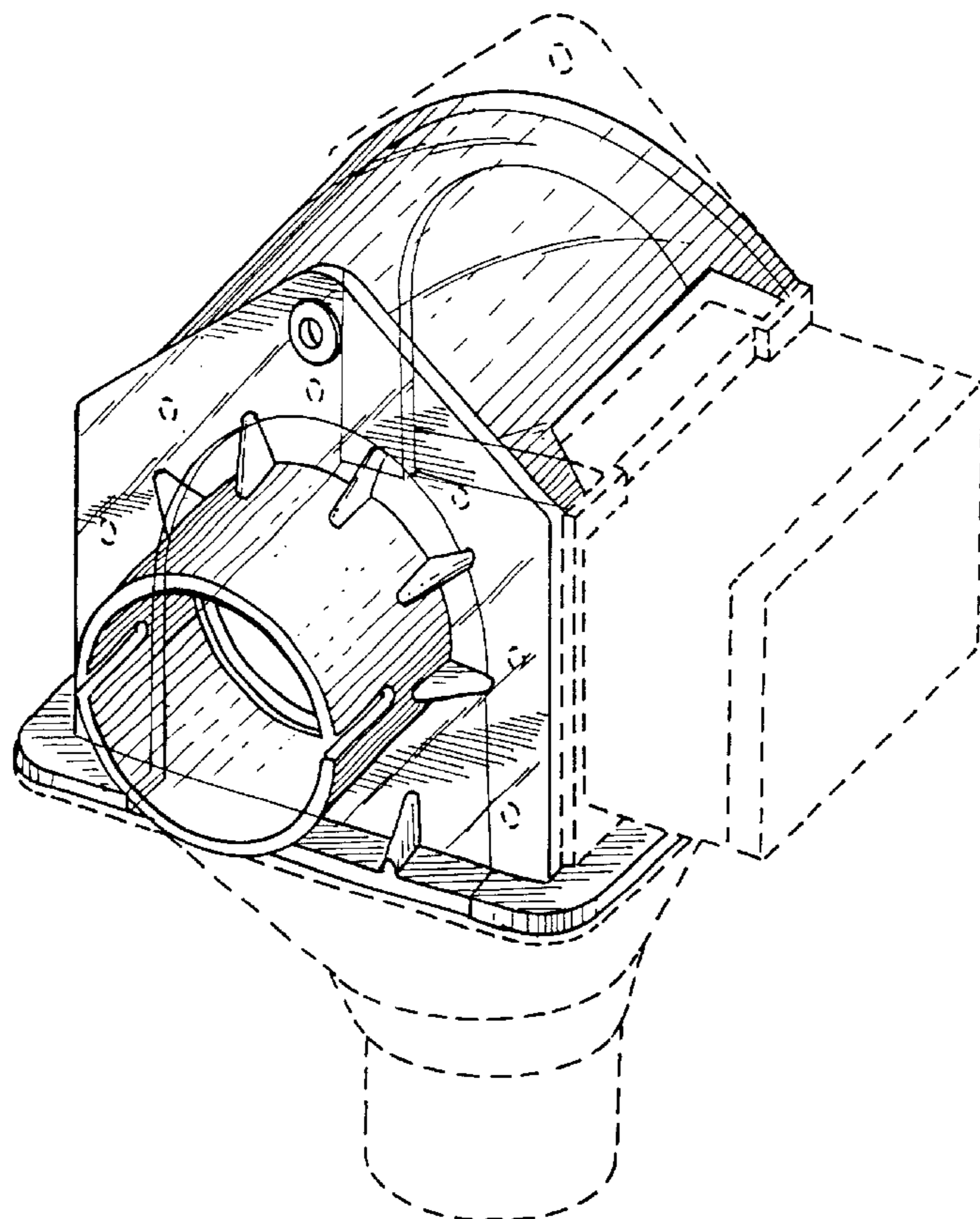


FIG.1

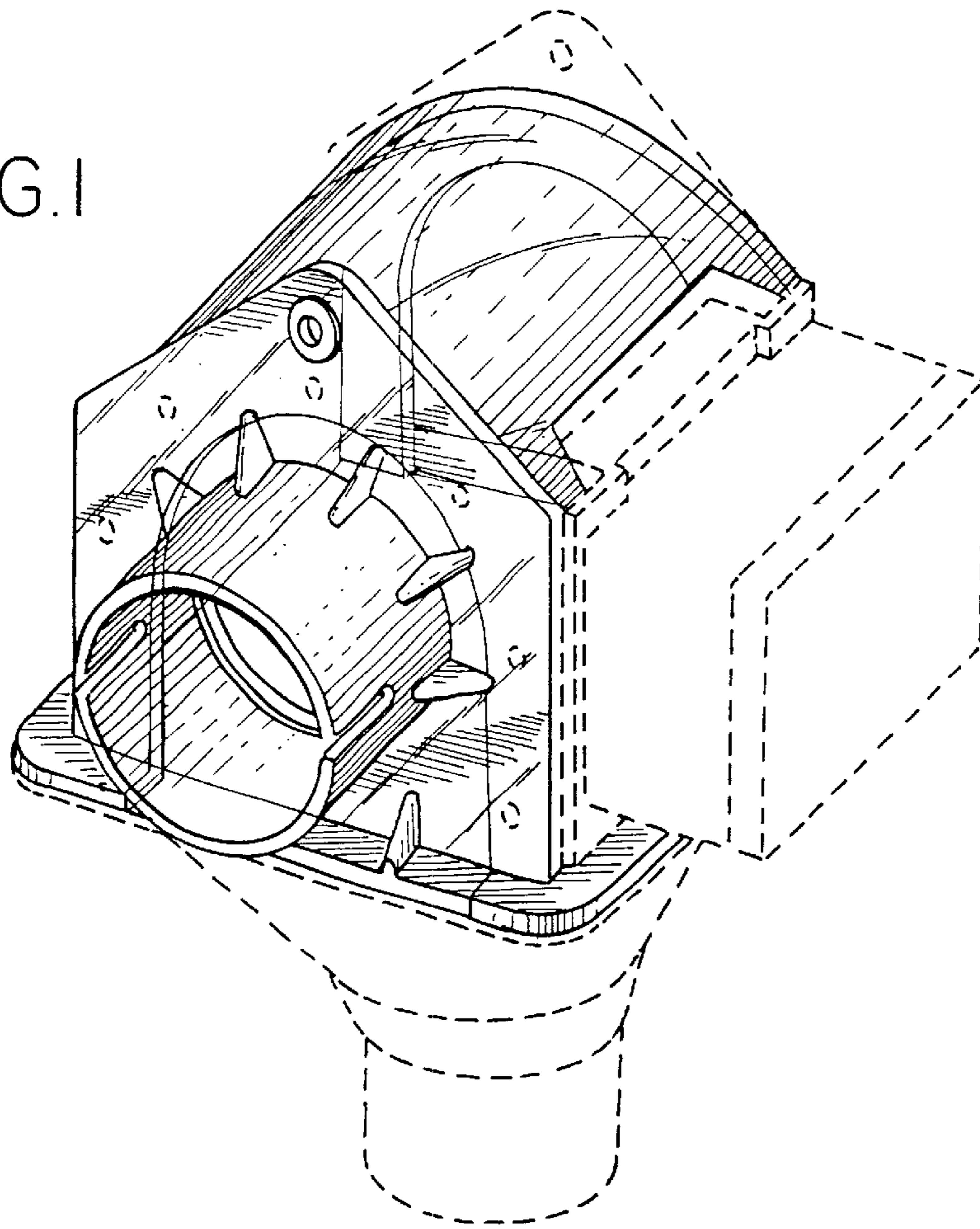


FIG.2

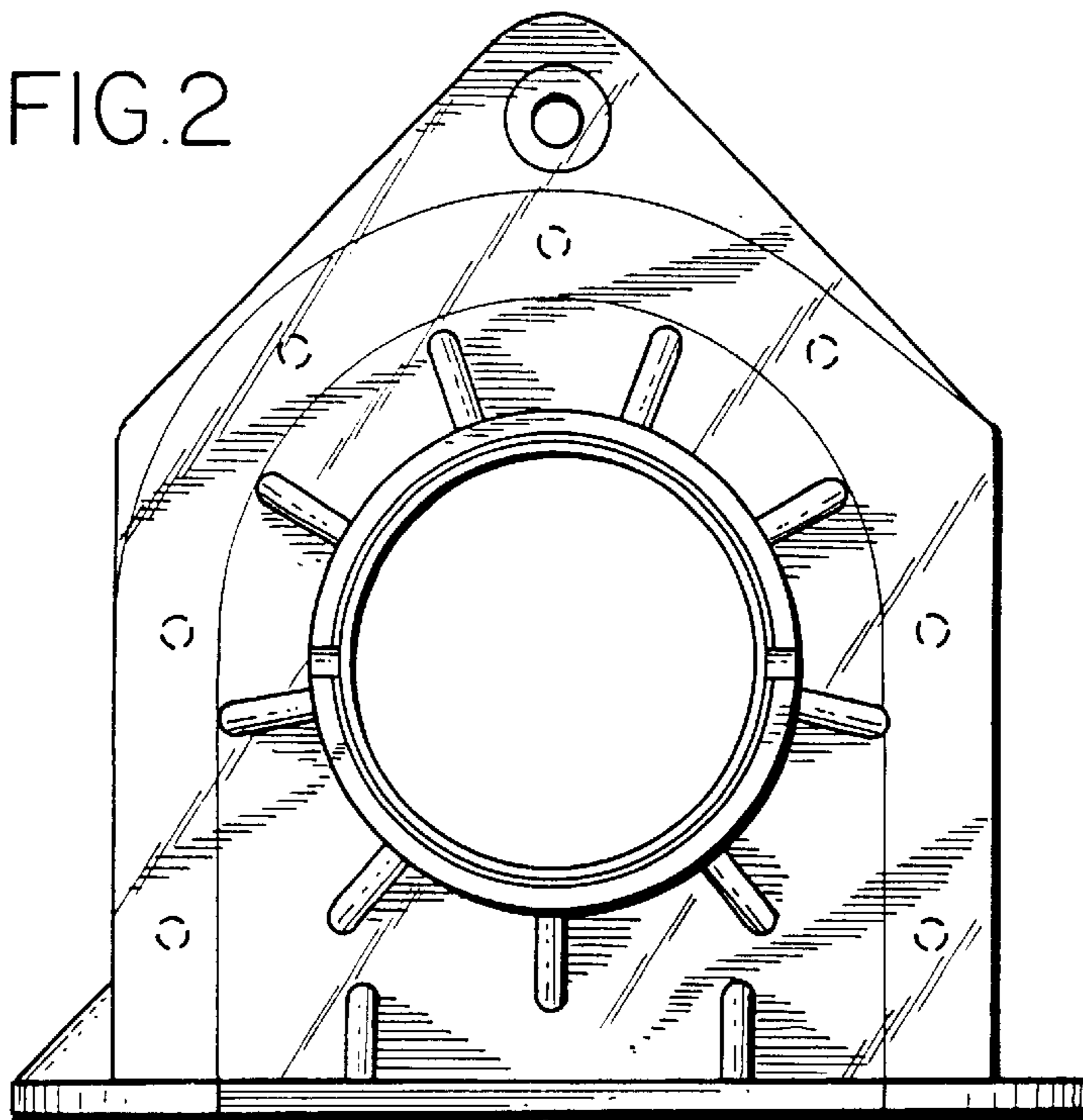


FIG. 3

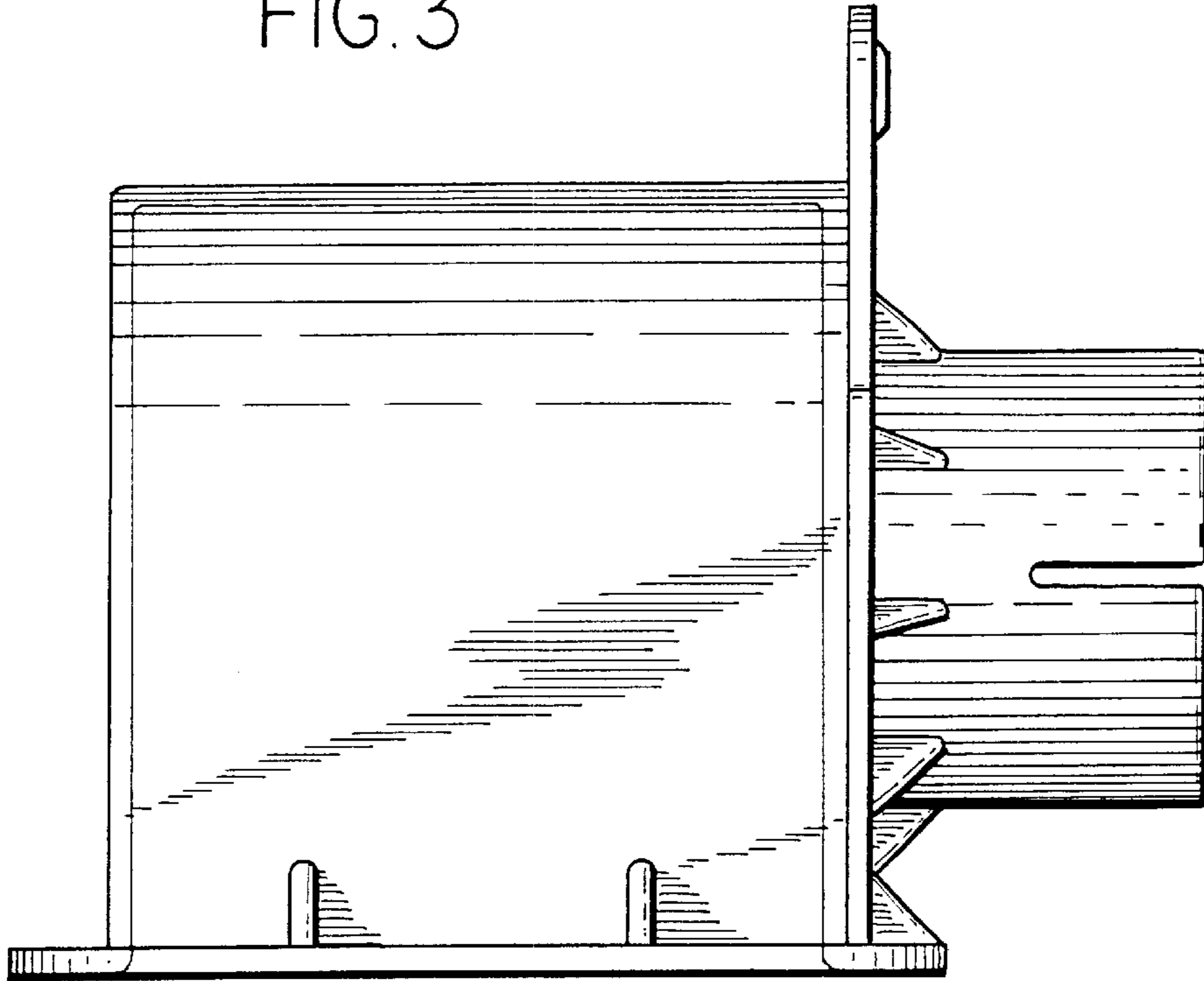


FIG. 4

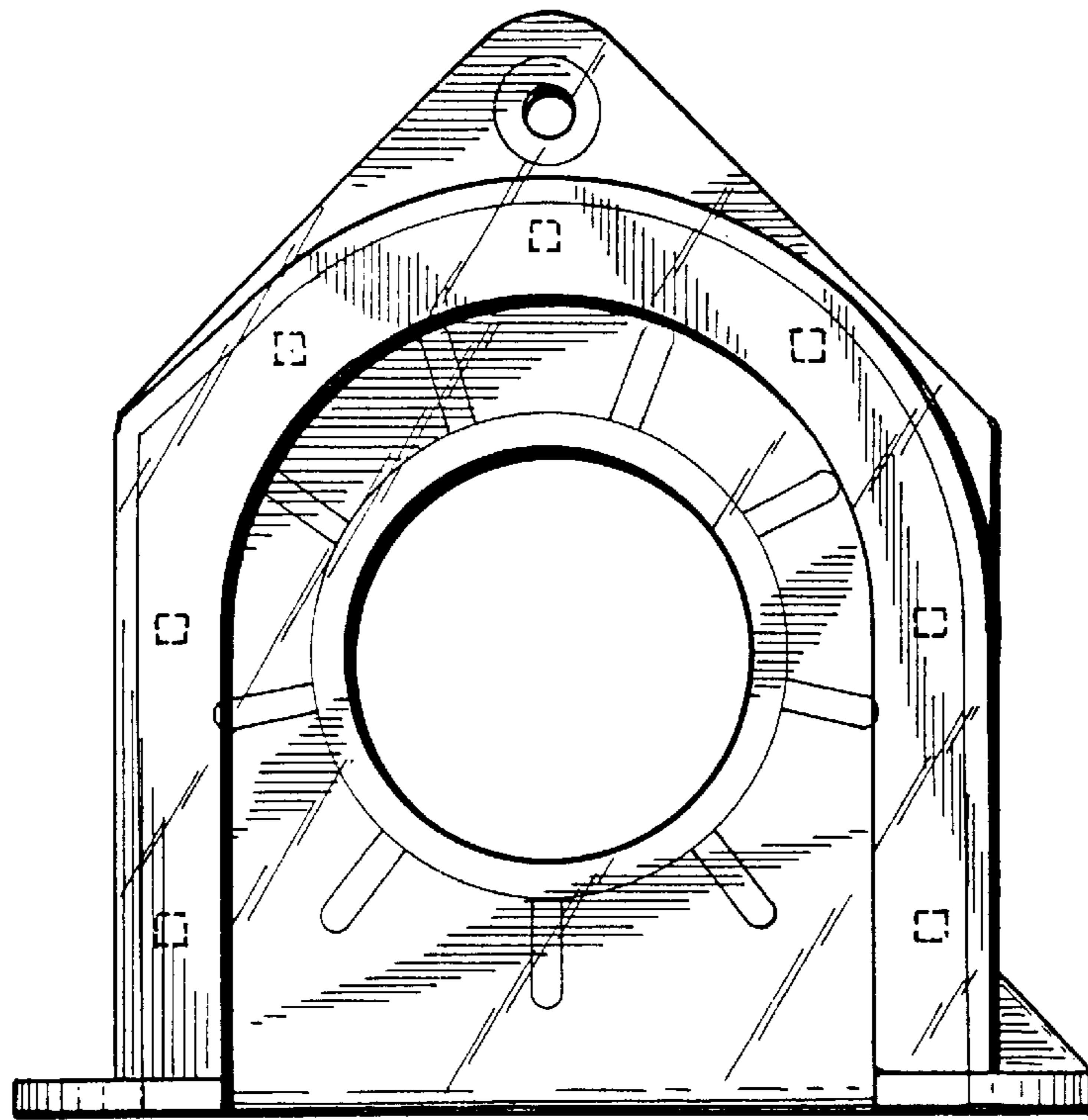




FIG.5

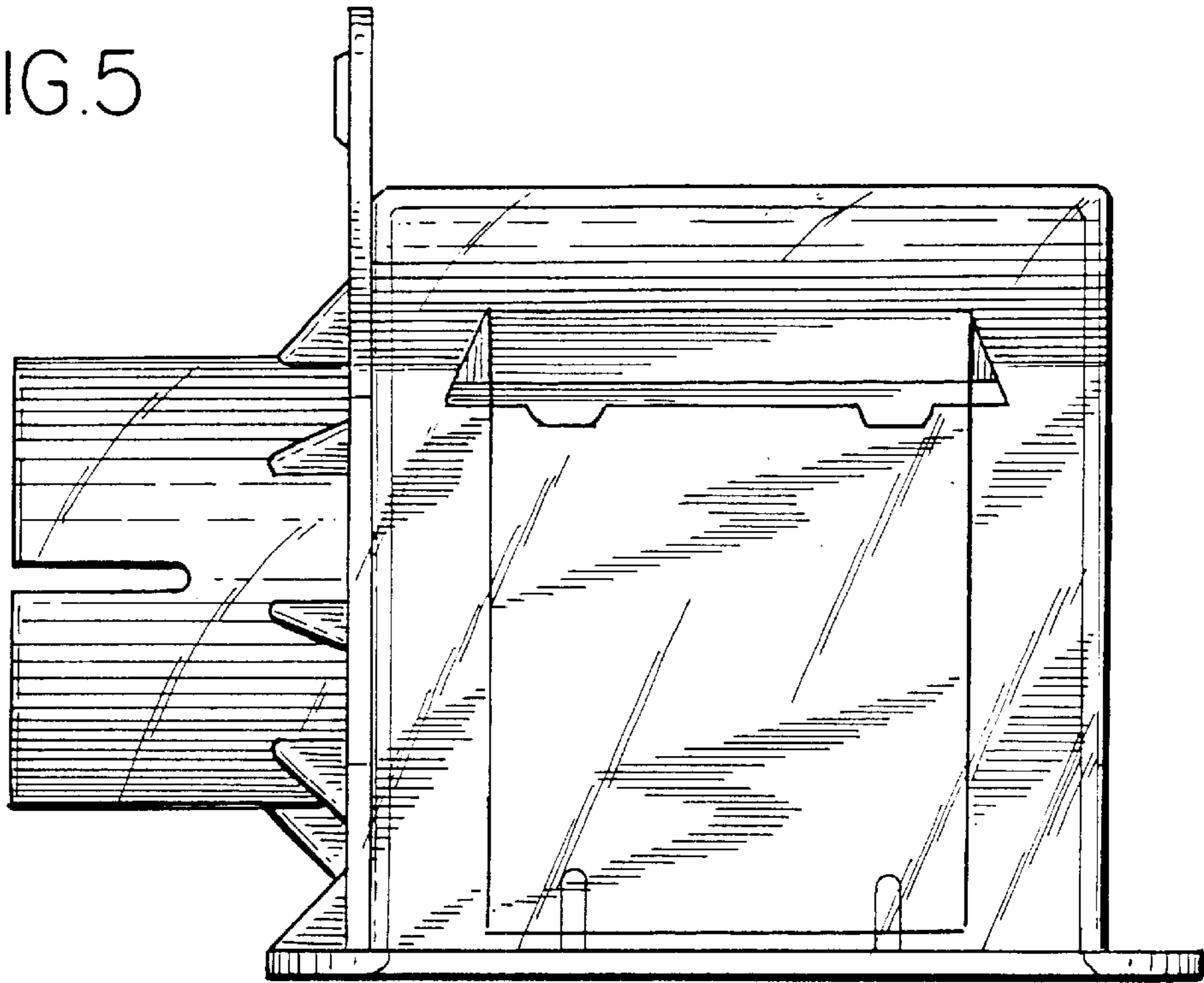


FIG.6

