



US00D465226S

(12) **United States Design Patent**
Friedman

(10) **Patent No.:** **US D465,226 S**

(45) **Date of Patent:** **** Nov. 5, 2002**

(54) **DISPLAY SCREEN WITH A USER INTERFACE ICON**

- D428,895 S * 8/2000 Chatfield et al.
- D450,323 S * 11/2001 Moore et al.
- D450,710 S * 11/2001 Yoshioka
- D454,139 S * 3/2002 Feldcamp
- D454,355 S * 3/2002 Yoshioka

(75) Inventor: **Lee Friedman Friedman**, Alpharetta, GA (US)

(73) Assignee: **BellSouth Intellectual Property Corporation**, Wilmington, DE (US)

(**) Term: **14 Years**

(21) Appl. No.: **29/143,651**

(22) Filed: **Jun. 18, 2001**

(51) **LOC (7) Cl.** **14-02**

(52) **U.S. Cl.** **D14/486**

(58) **Field of Search** D14/485-95; D18/24-33;
D19/6; D20/11; D21/324-33; 345/700-26,
764-862

(56) **References Cited**

U.S. PATENT DOCUMENTS

D400,520 S * 11/1998 Baker et al.

* cited by examiner

Primary Examiner—M. H. Tung

(74) *Attorney, Agent, or Firm*—Cynthia R. Parks, Esq.;
Brenda O. Holmes, Esq.; Kilpatrick Stockton LLP

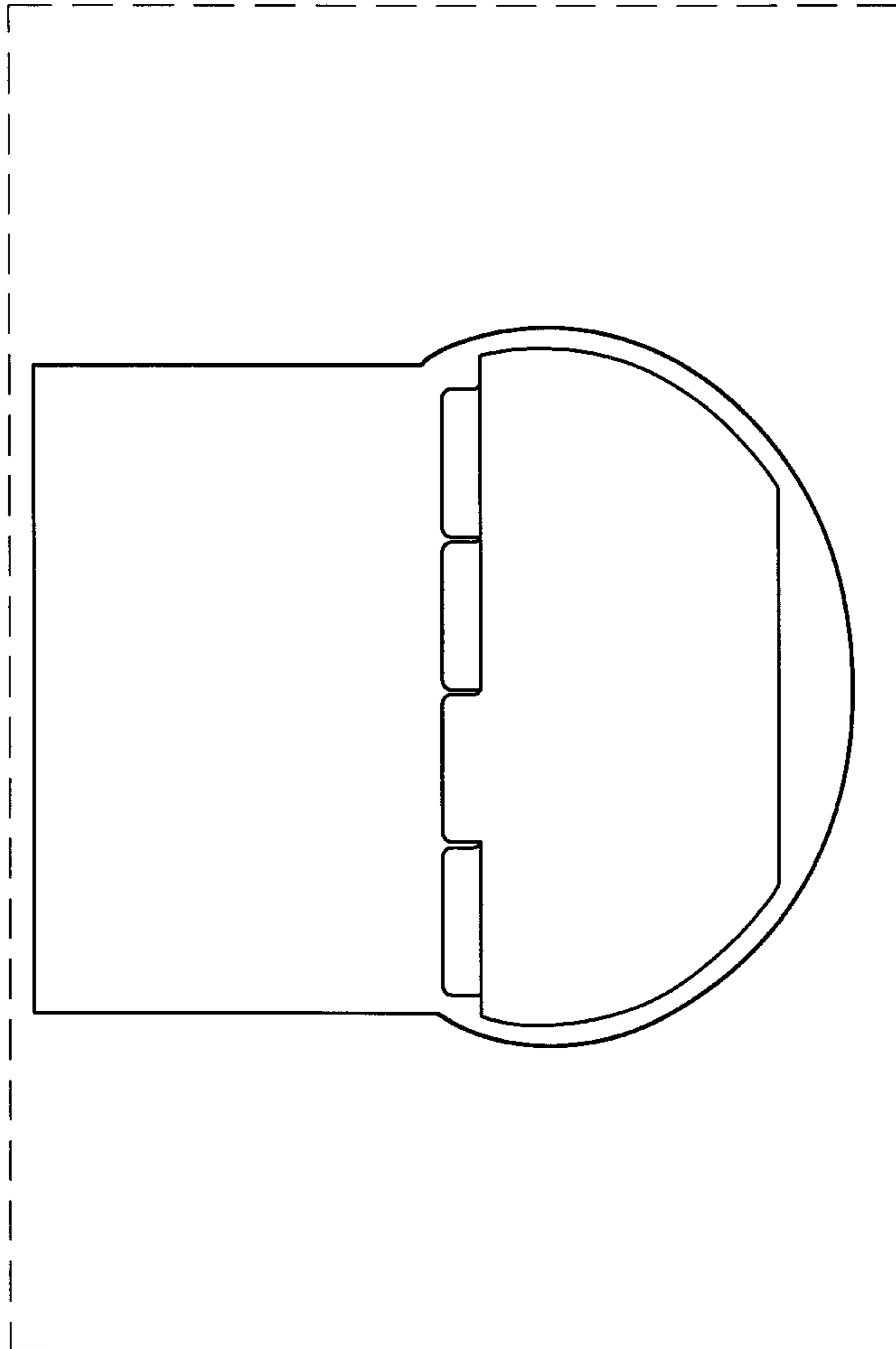
(57) **CLAIM**

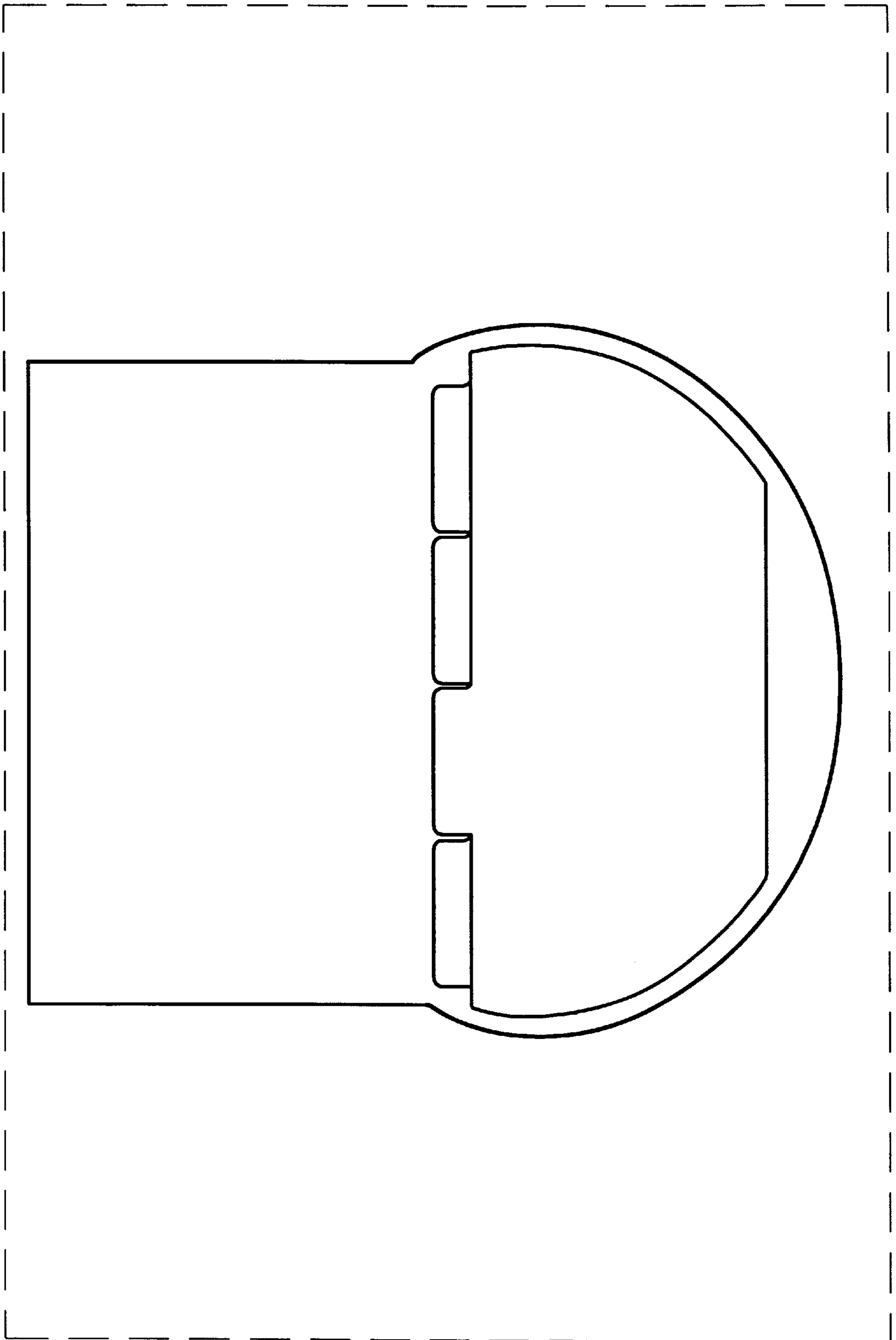
What is claimed is the ornamental design for a display screen with a user interface icon, as shown and described.

DESCRIPTION

The single FIGURE is a front view of a display screen with a user interface icon, the broken line drawing of a display screen is for illustrative purposes only and forms no part of the claimed design.

1 Claim, 1 Drawing Sheet





UNITED STATES PATENT AND TRADEMARK OFFICE
CERTIFICATE OF CORRECTION

PATENT NO. : Des. 465,226 S
DATED : November 5, 2002
INVENTOR(S) : Lee Friedman

Page 1 of 1

It is certified that error appears in the above-identified patent and that said Letters Patent is hereby corrected as shown below:

Title page,

Item [73], delete the following:

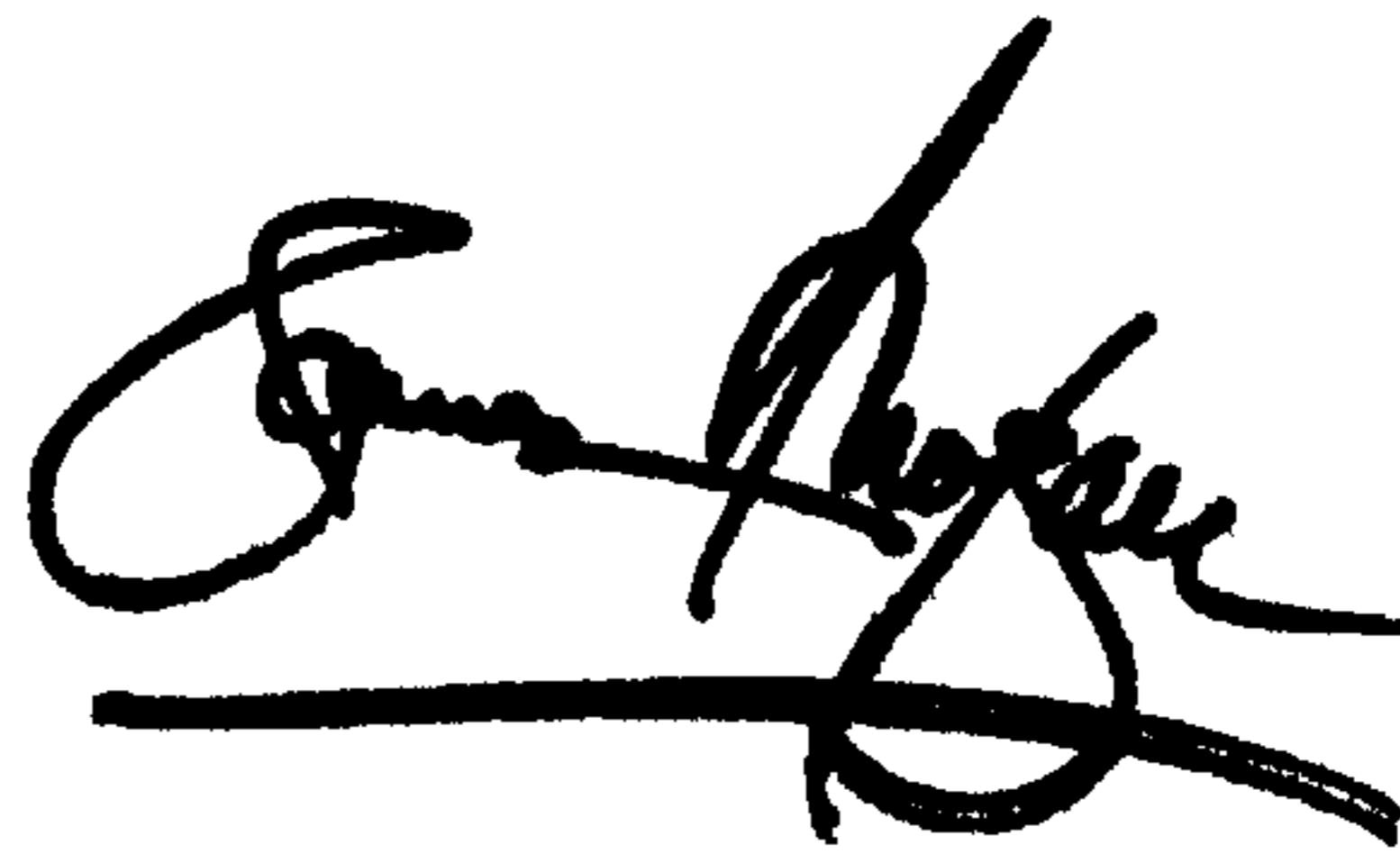
“[75] Inventor: **Lee Friedman Friedman**, Alpharetta GA (US)”

And insert in its place:

-- [75] Inventor: **Lee Friedman**, Alpharetta, GA (US) --

Signed and Sealed this

Eighth Day of April, 2003

A handwritten signature in black ink, appearing to read "James E. Rogan", written over a horizontal line.

JAMES E. ROGAN
Director of the United States Patent and Trademark Office