



US00D465225S

(12) **United States Design Patent**
Dhillon

(10) **Patent No.:** **US D465,225 S**

(45) **Date of Patent:** **** Nov. 5, 2002**

(54) **COMPACT OR MINI DISK**

(75) Inventor: **Jasjit S. Dhillon**, Oak Brook, IL (US)

(73) Assignee: **Unlimited C.D., Inc.**, Lombard, IL (US)

(**) Term: **14 Years**

(21) Appl. No.: **29/144,716**

(22) Filed: **Jul. 9, 2001**

Related U.S. Application Data

(62) Division of application No. 29/118,261, filed on Feb. 7, 2000, now Pat. No. Des. 444,792.

(51) **LOC (7) Cl.** **14-02**

(52) **U.S. Cl.** **D14/478**

(58) **Field of Search** D14/474, 478-80;
D19/9, 10; 360/133, 135, 97.01-99.12;
395/186; 369/272-3, 282-8, 291

(56) **References Cited**

U.S. PATENT DOCUMENTS

- 4,091,454 A * 5/1978 Kauffmann
- 4,812,633 A * 3/1989 Vogelgesang et al.
- 5,579,296 A * 11/1996 Smith et al.
- D394,648 S * 5/1998 Rohde
- 5,852,598 A * 12/1998 Wiest
- 5,882,555 A * 3/1999 Rohde et al.

- 5,982,736 A * 11/1999 Pierson
- D418,502 S * 1/2000 Friday
- D419,151 S * 1/2000 Koedel
- D419,152 S * 1/2000 Lowenstein
- D421,427 S * 3/2000 Siegel
- D426,203 S * 6/2000 Siegel

OTHER PUBLICATIONS

“Play Your Cards Right,” Hilton Guest magazine, pp. 83-85, 1999 Issue Three, published Aug. 1999, distributed internationally.

* cited by examiner

Primary Examiner—M. H. Tung

(74) *Attorney, Agent, or Firm*—Law Office of Marc D. Machtinger, Ltd.

(57) **CLAIM**

The ornamental design for a compact or mini disk, as shown and described.

DESCRIPTION

FIG. 1 is a top plan view of a compact or mini disk showing my new design;

FIG. 2 is a bottom plan view thereof;

FIG. 3 is a front view thereof, the back view being identical; and,

FIG. 4 is a right side view thereof, the left side being identical.

1 Claim, 1 Drawing Sheet

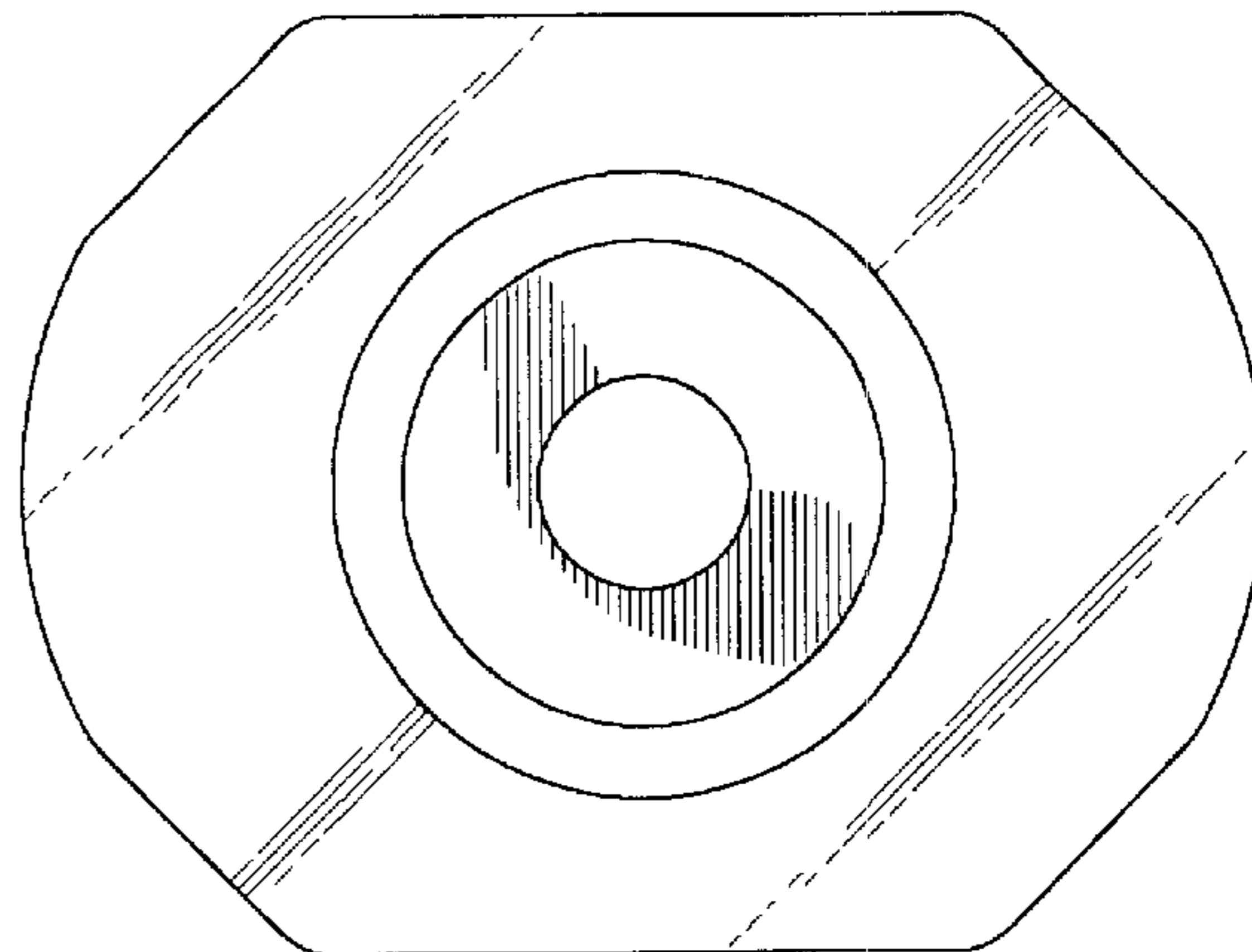
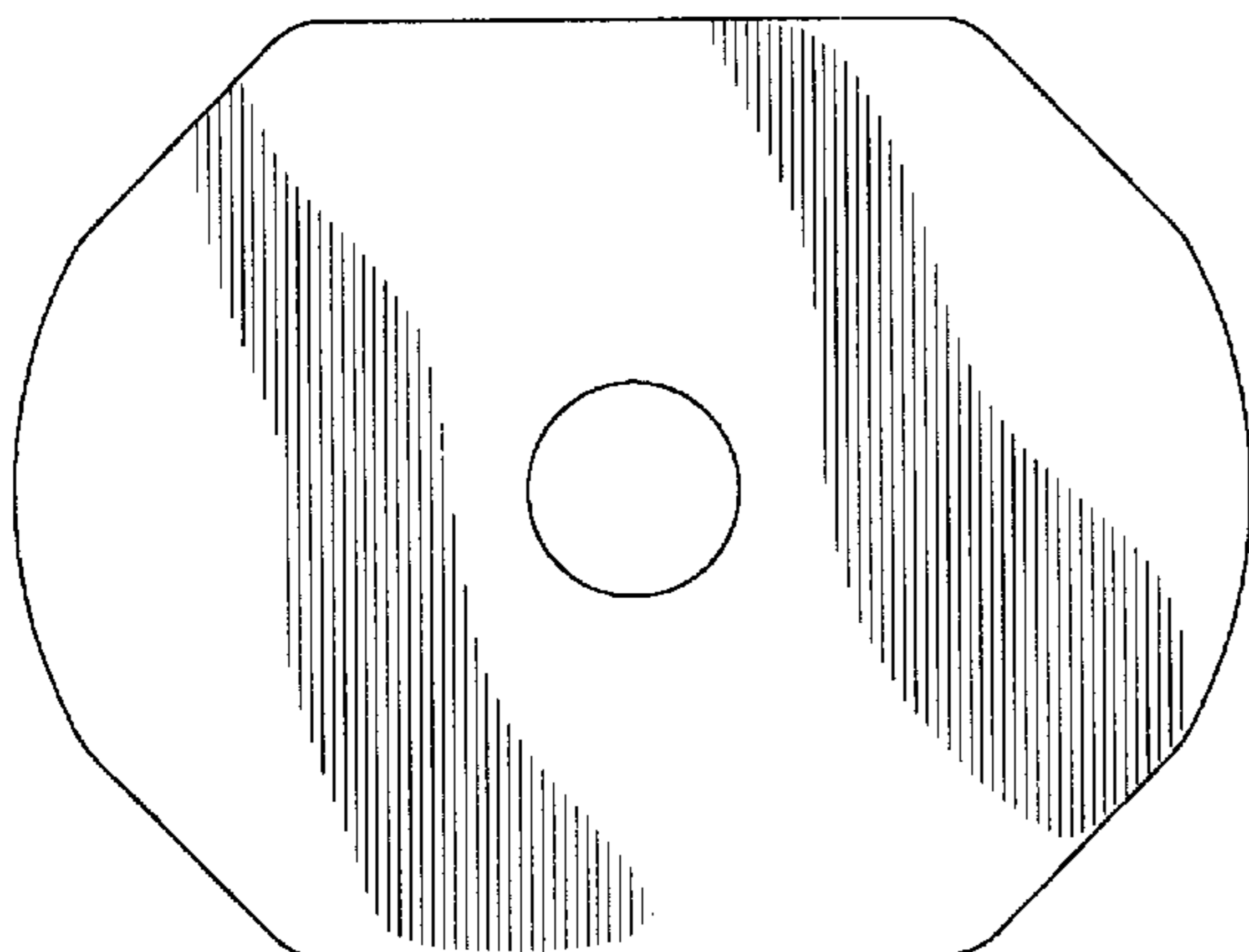


FIG. 1

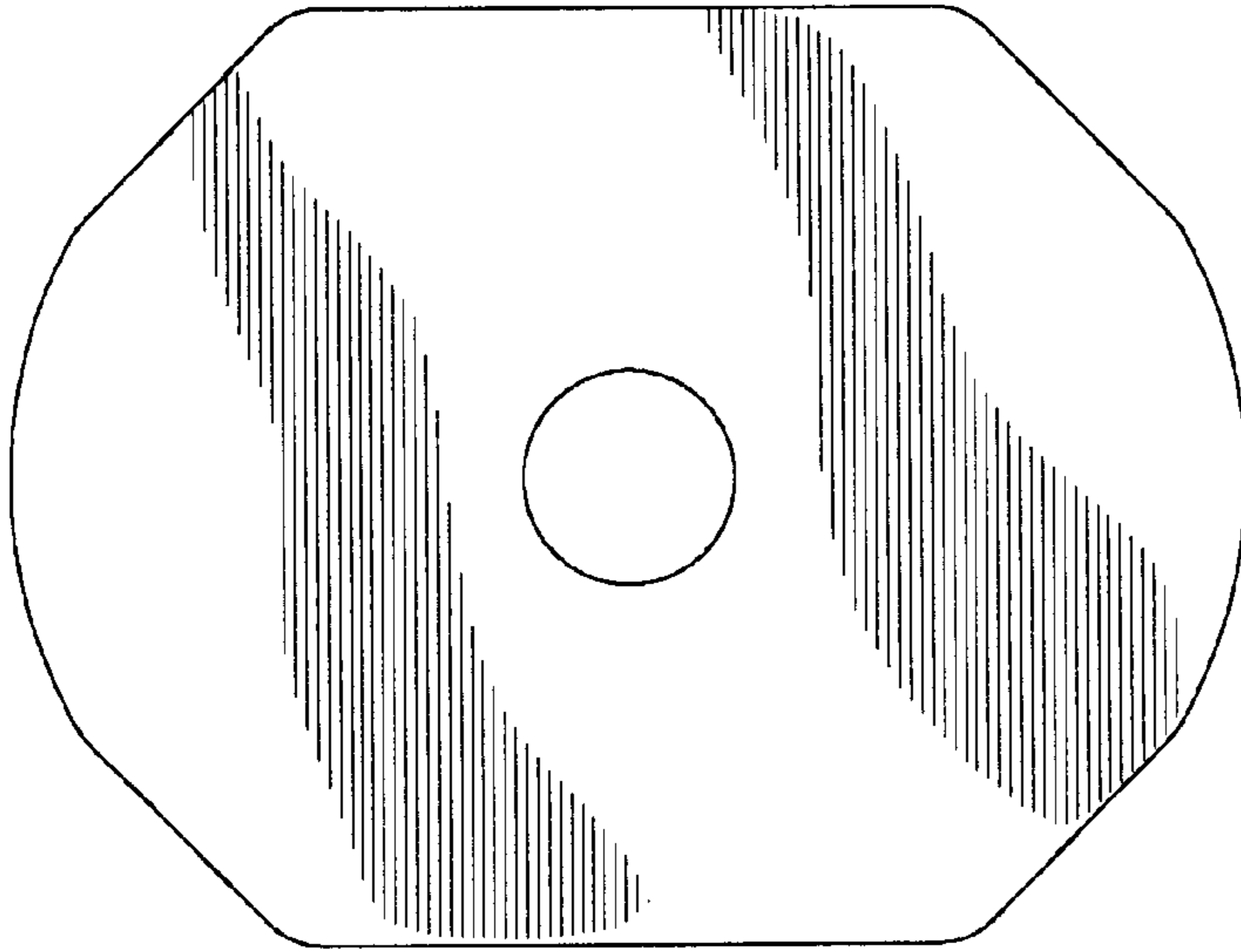


FIG. 2

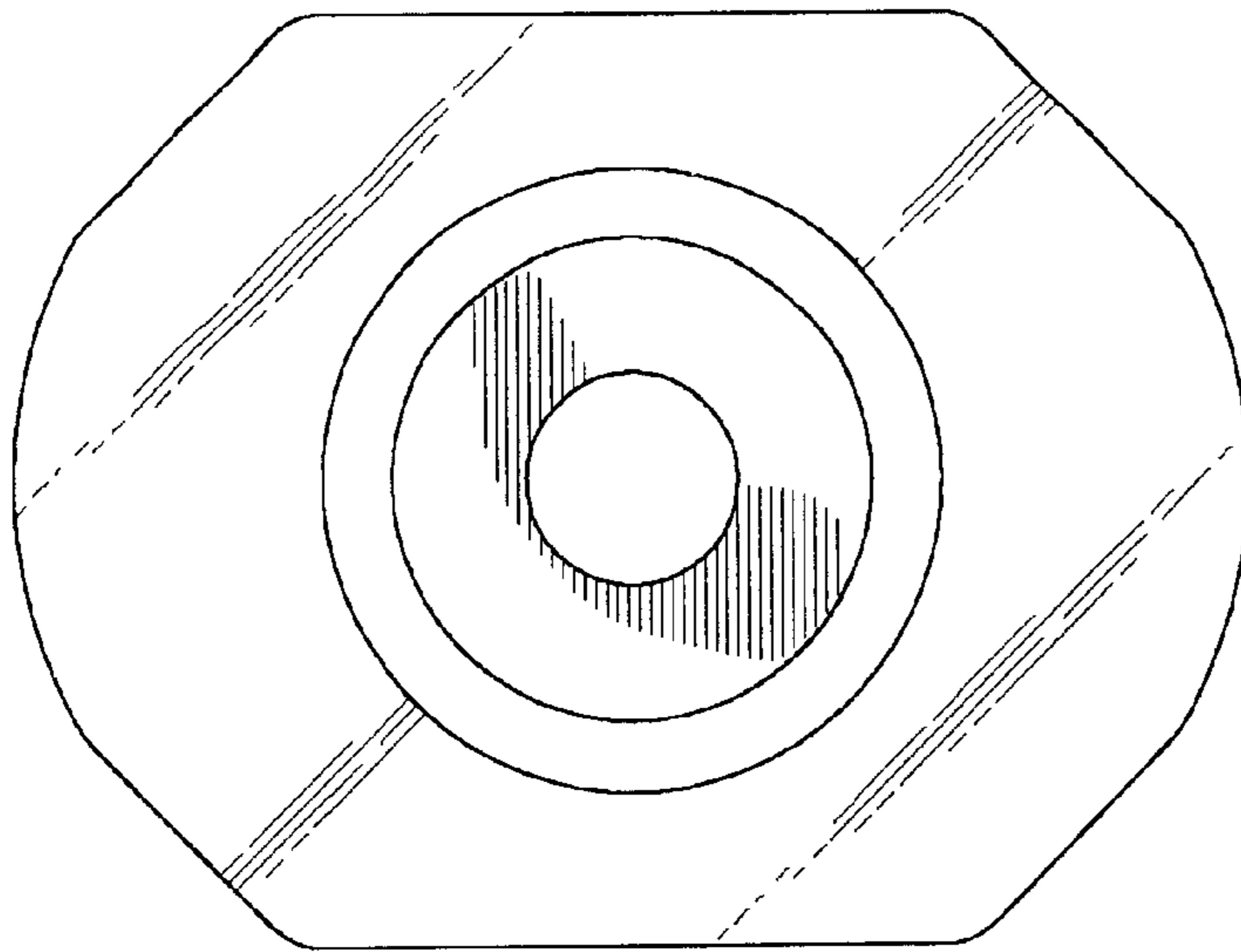


FIG. 3

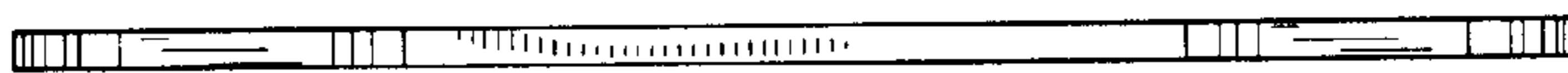


FIG. 4

