



US00D465222S

(12) **United States Design Patent**  
**Wang**

(10) **Patent No.:** **US D465,222 S**

(45) **Date of Patent:** **\*\* Nov. 5, 2002**

(54) **VIDEO GAME CONNECTOR REEL**

D419,527 S \* 1/2000 Hwang ..... D13/154  
D449,974 S \* 11/2001 Stekelenburg ..... D8/358

(76) Inventor: **Yung-Chung Wang**, 3F, No. 651,  
Chung-Cheng Rd., Hsin-Chuang City,  
Taipei Hsien (TW)

\* cited by examiner

(\*\*) Term: **14 Years**

*Primary Examiner*—Robert M. Spear  
(74) *Attorney, Agent, or Firm*—Dellett and Walters

(21) Appl. No.: **29/145,438**

(57) **CLAIM**

(22) Filed: **Jul. 23, 2001**

The ornamental design for a video game connector reel, as shown.

(51) **LOC (7) Cl.** ..... **14-02**

**DESCRIPTION**

(52) **U.S. Cl.** ..... **D14/433; D8/358; D13/137.4**

(58) **Field of Search** ... D8/358, 359; D13/137.1–137.4,  
D13/138.1, 138.2, 139.1–139.8, 154–155,  
173, 184; D14/433, 454; 174/53, 66, 67;  
191/12.2 R, 12.4; 361/42, 641, 658; 439/135–137,  
140–141, 152, 160, 164, 446, 477, 484,  
501, 521, 528, 535–536, 650–652, 692–695,  
736

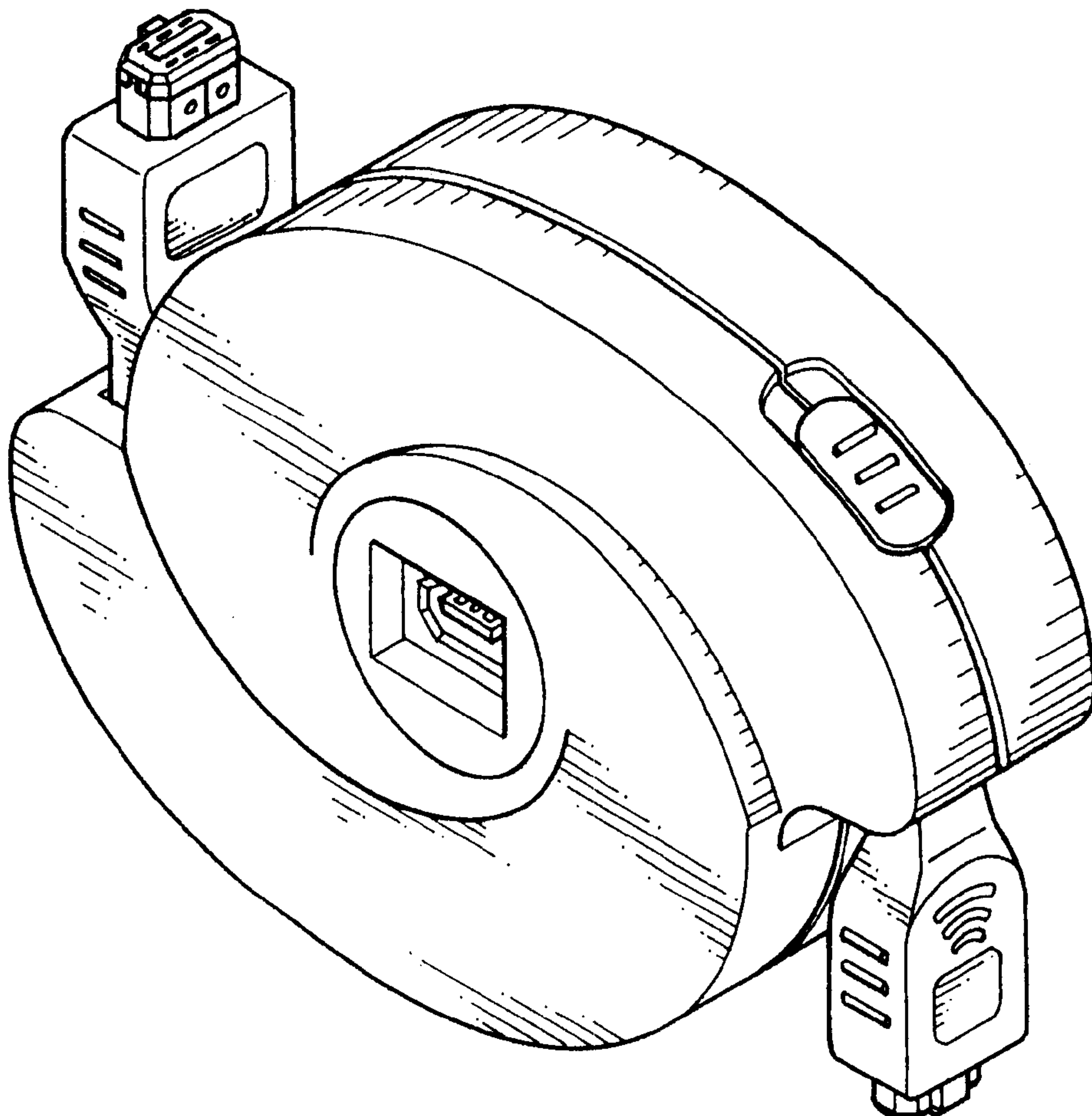
FIG. 1 is a front-right-top perspective view of a video game connector reel, showing my new design;  
FIG. 2 is a front elevational view thereof;  
FIG. 3 is a rear elevational view thereof;  
FIG. 4 is a left elevational view thereof;  
FIG. 5 is a right elevational view thereof;  
FIG. 6 is top plan view thereof; and,  
FIG. 7 is a bottom plan view thereof.

(56) **References Cited**

**U.S. PATENT DOCUMENTS**

D406,815 S \* 3/1999 Martensson ..... D13/138.1

**1 Claim, 4 Drawing Sheets**



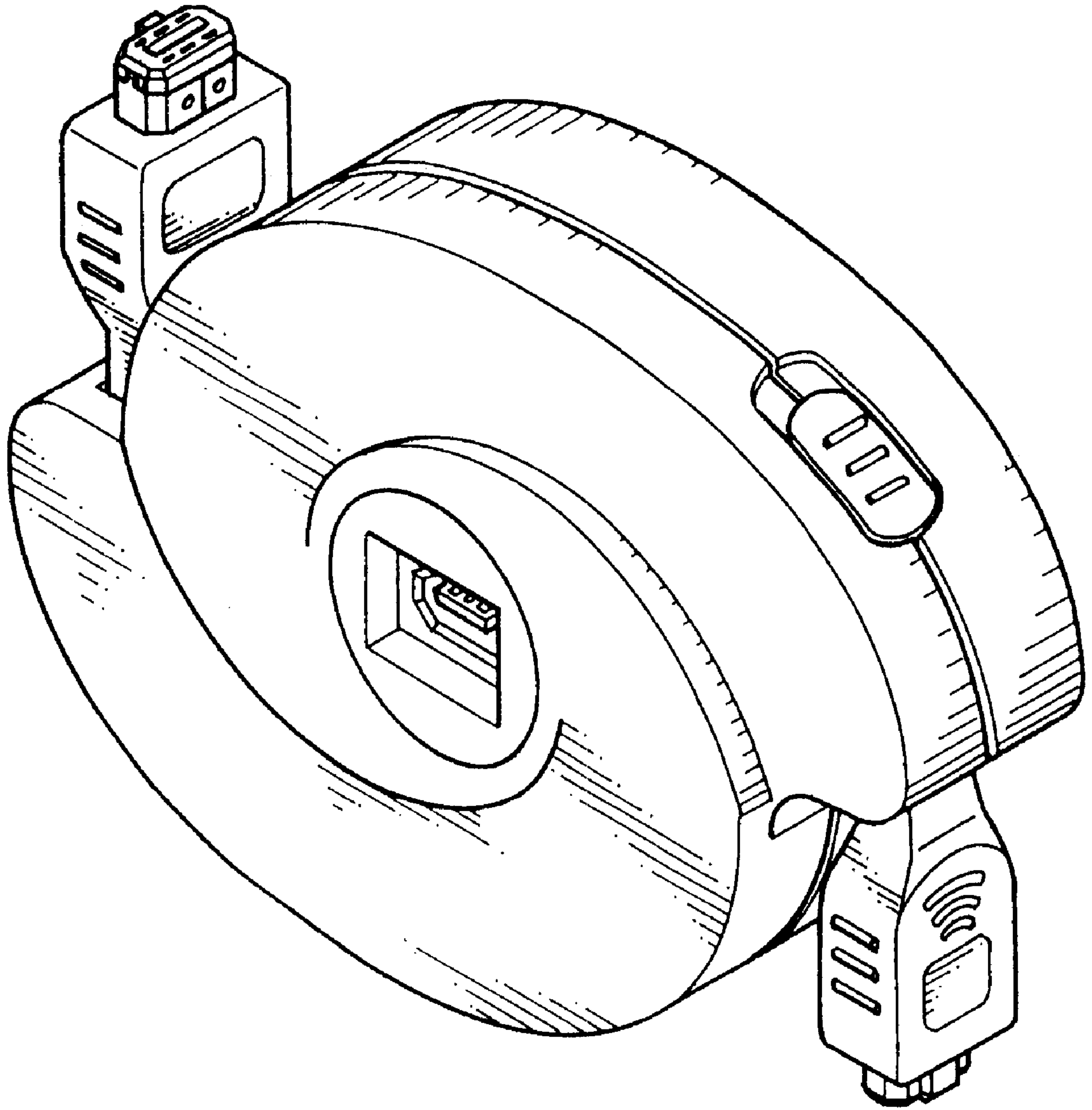


FIG. 1

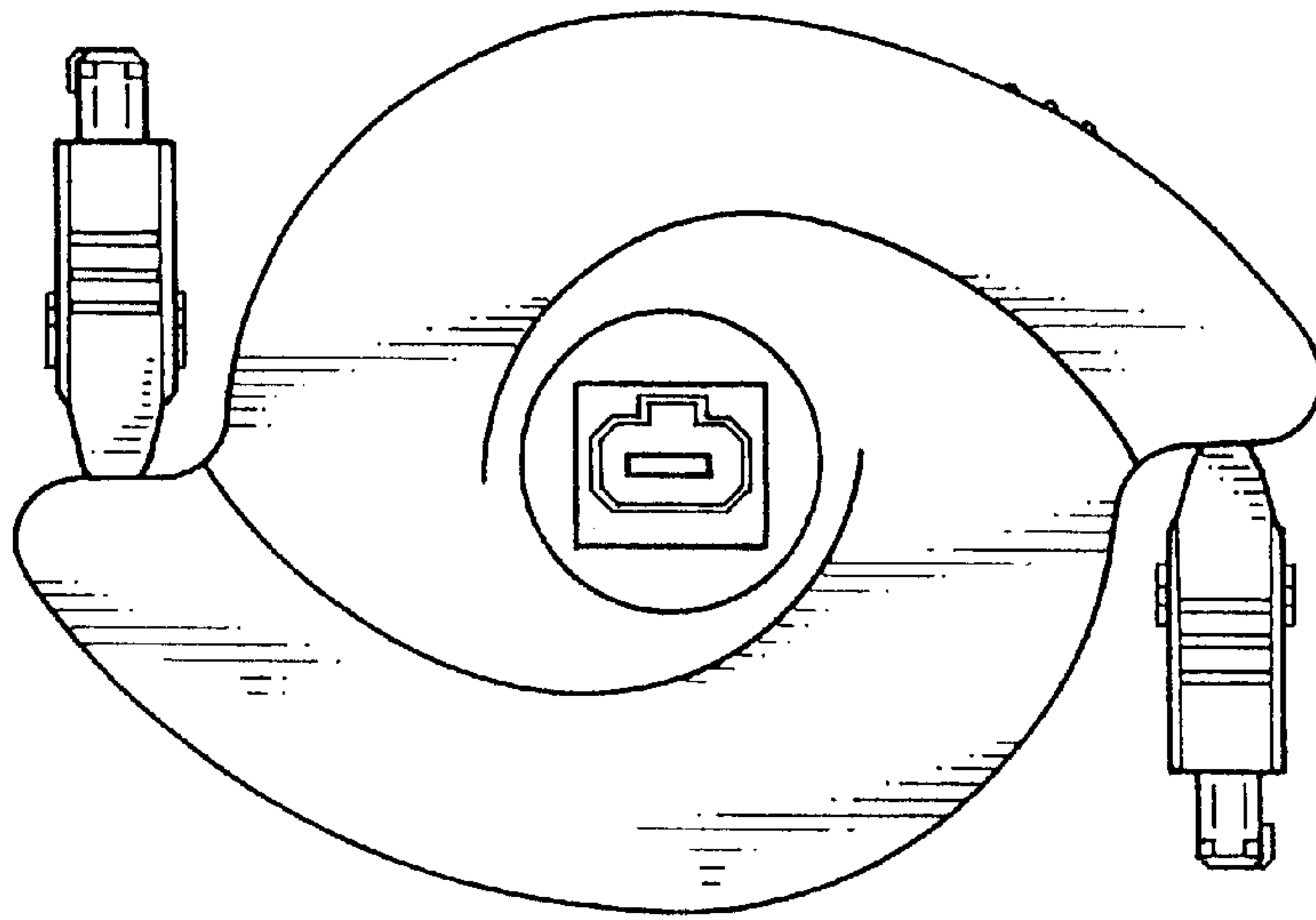


FIG. 2

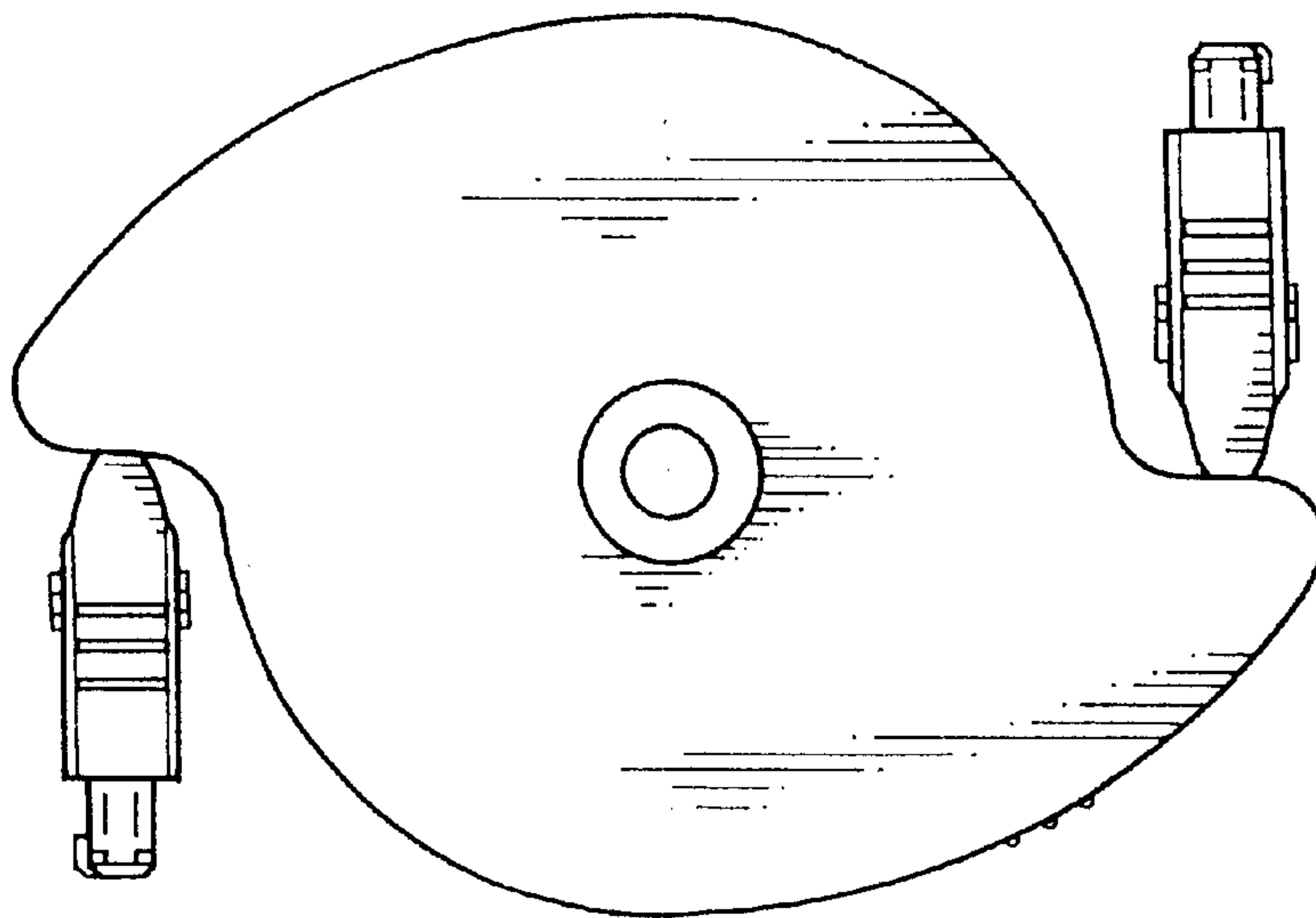


FIG. 3

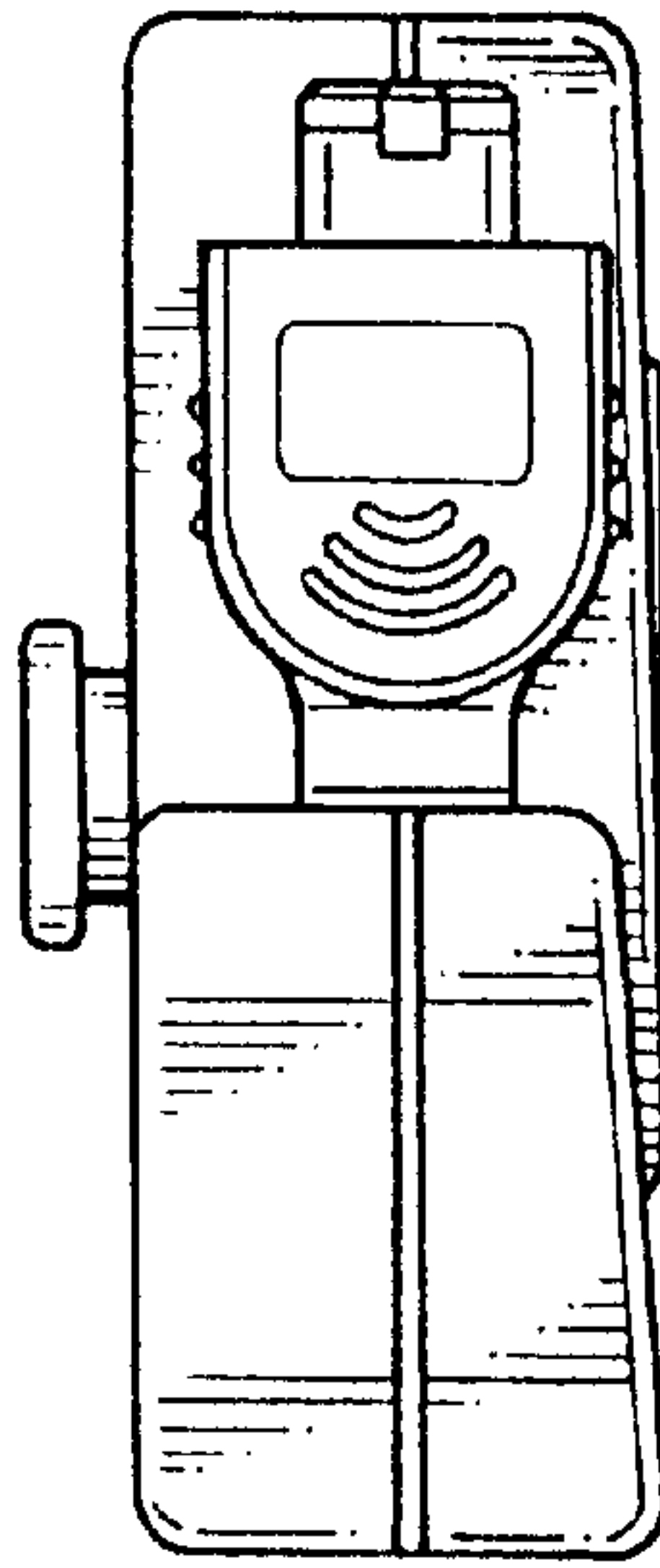


FIG. 4

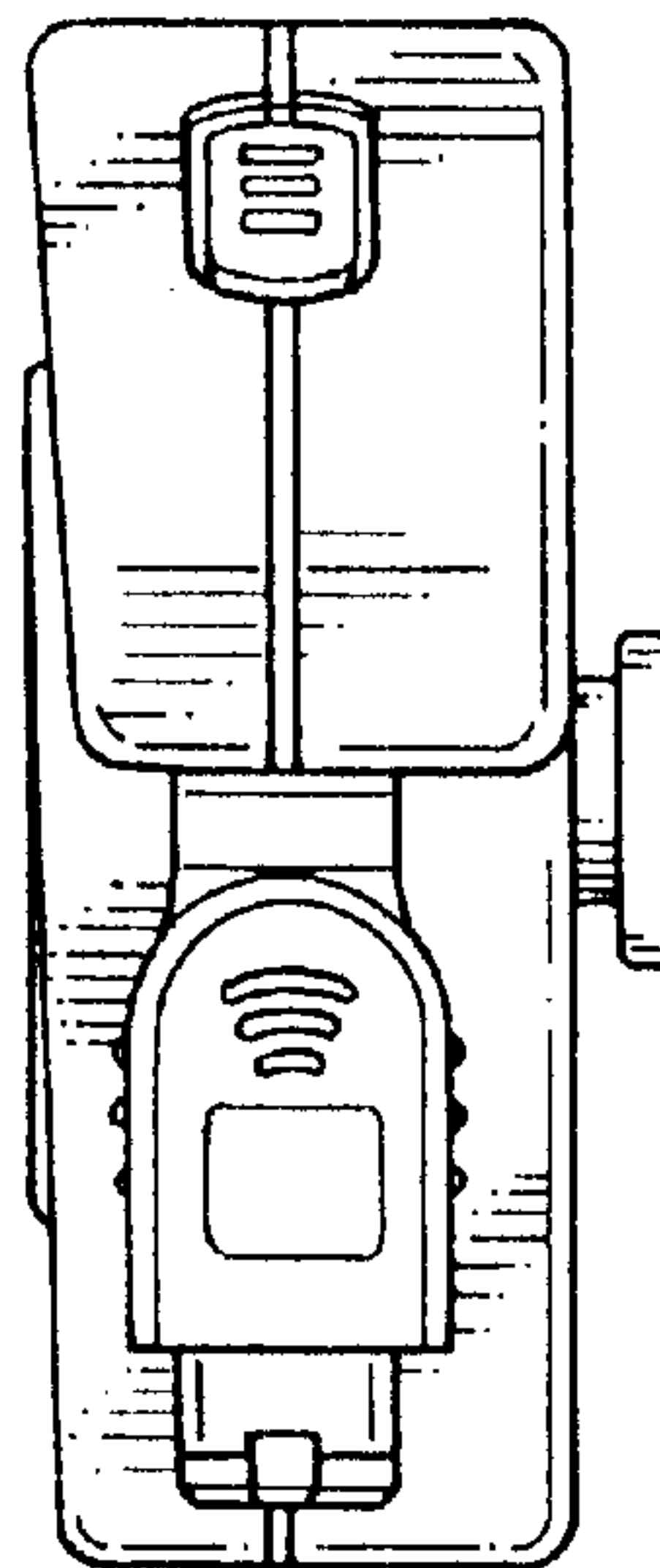


FIG. 5

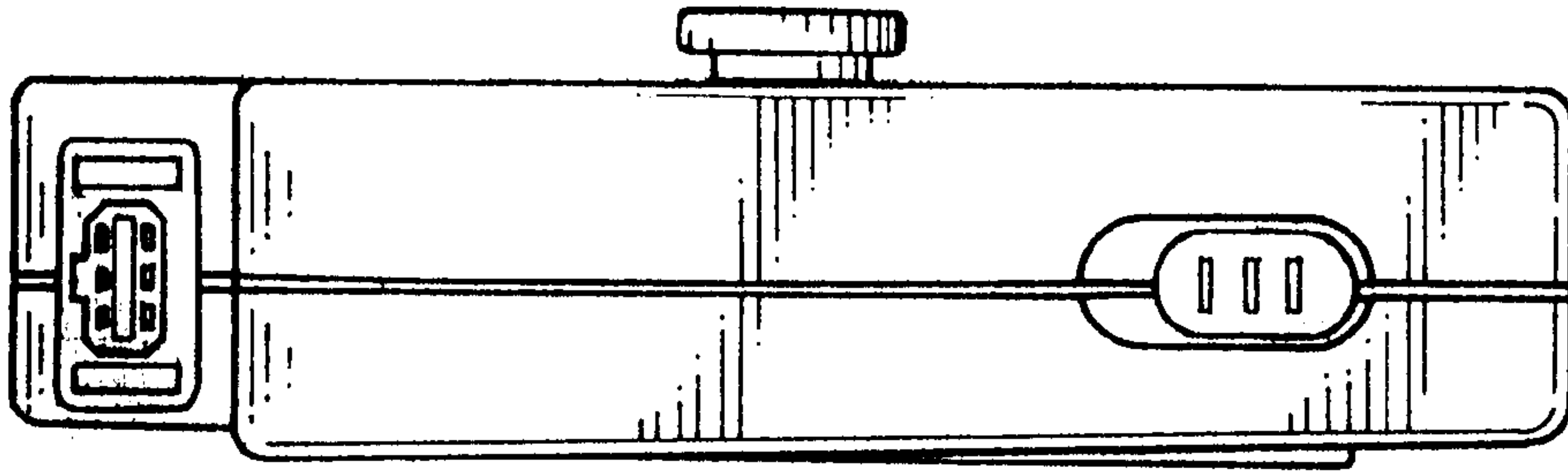


FIG. 6

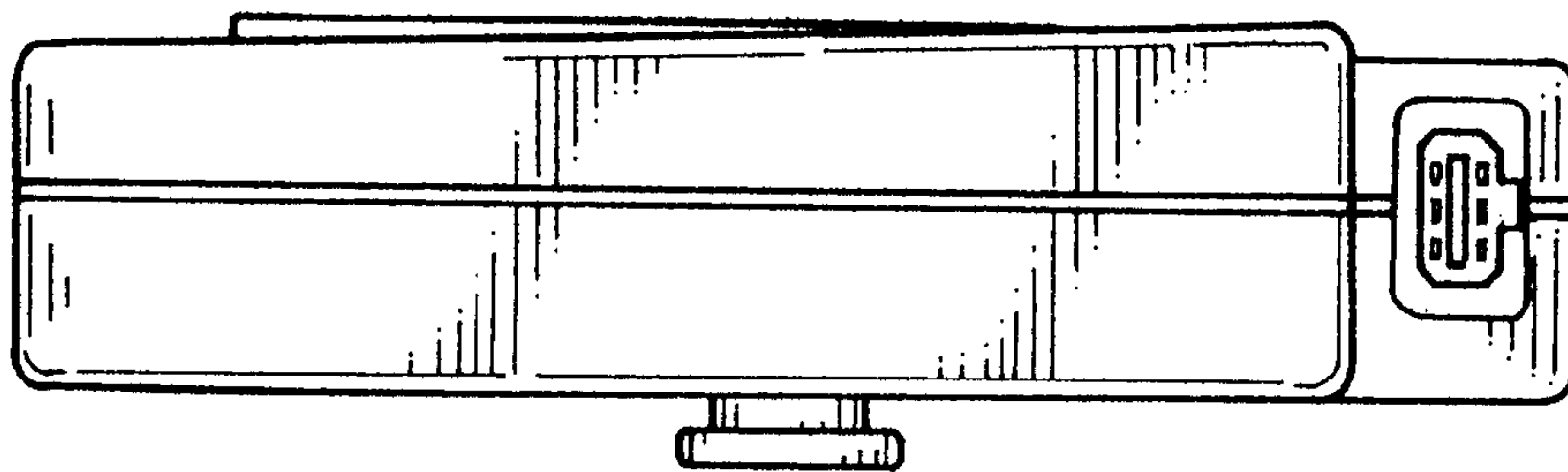


FIG. 7