



US00D465219S

(12) **United States Design Patent**
Tamaki et al.

(10) **Patent No.:** **US D465,219 S**

(45) **Date of Patent:** **** Nov. 5, 2002**

(54) **PERSONAL DIGITAL ASSISTANT**

(75) Inventors: **Hidetoshi Tamaki**, Nara-ken (JP);
Kunihiro Ohki, Kyoto-fu (JP)

(73) Assignee: **Sharp Kabushiki Kaisha**, Osaka (JP)

(**) Term: **14 Years**

(21) Appl. No.: **29/155,170**

(22) Filed: **Feb. 6, 2002**

(30) **Foreign Application Priority Data**

Aug. 6, 2001 (JP) 2001-022985

(51) **LOC (7) Cl.** **14-02**

(52) **U.S. Cl.** **D14/346**

(58) **Field of Search** D14/341-346,
D14/331; D18/1, 2, 7; 235/145 A, 145 R;
341/22, 23; 345/156, 168, 169, 172, 173;
349/12; 361/680-686; D10/65

(56) **References Cited**

U.S. PATENT DOCUMENTS

D312,628 S	12/1990	Yokoi et al.	
D332,604 S	1/1993	Miyake et al.	
5,218,187 A	6/1993	Koenck et al.	
D348,654 S	7/1994	Branck et al.	
D359,920 S	7/1995	Sakamoto	
D387,737 S	12/1997	Mizusugi et al.	
D402,572 S	* 12/1998	Han D10/65
D411,181 S	* 6/1999	Tamaki et al. D14/345
D412,494 S	* 8/1999	Tamaki et al. D14/314

D433,017 S	10/2000	Martinez	
D436,104 S	* 1/2001	Bhatia et al. D14/341
D436,591 S	* 1/2001	Abston et al. D14/341
D440,562 S	* 4/2001	Gottlieb et al. D14/341
D442,156 S	5/2001	Lee	
D442,569 S	5/2001	Hanna et al.	
D454,349 S	3/2002	Makidera et al.	

* cited by examiner

Primary Examiner—Freda Nunn

(74) *Attorney, Agent, or Firm*—Nixon & Vanderhye

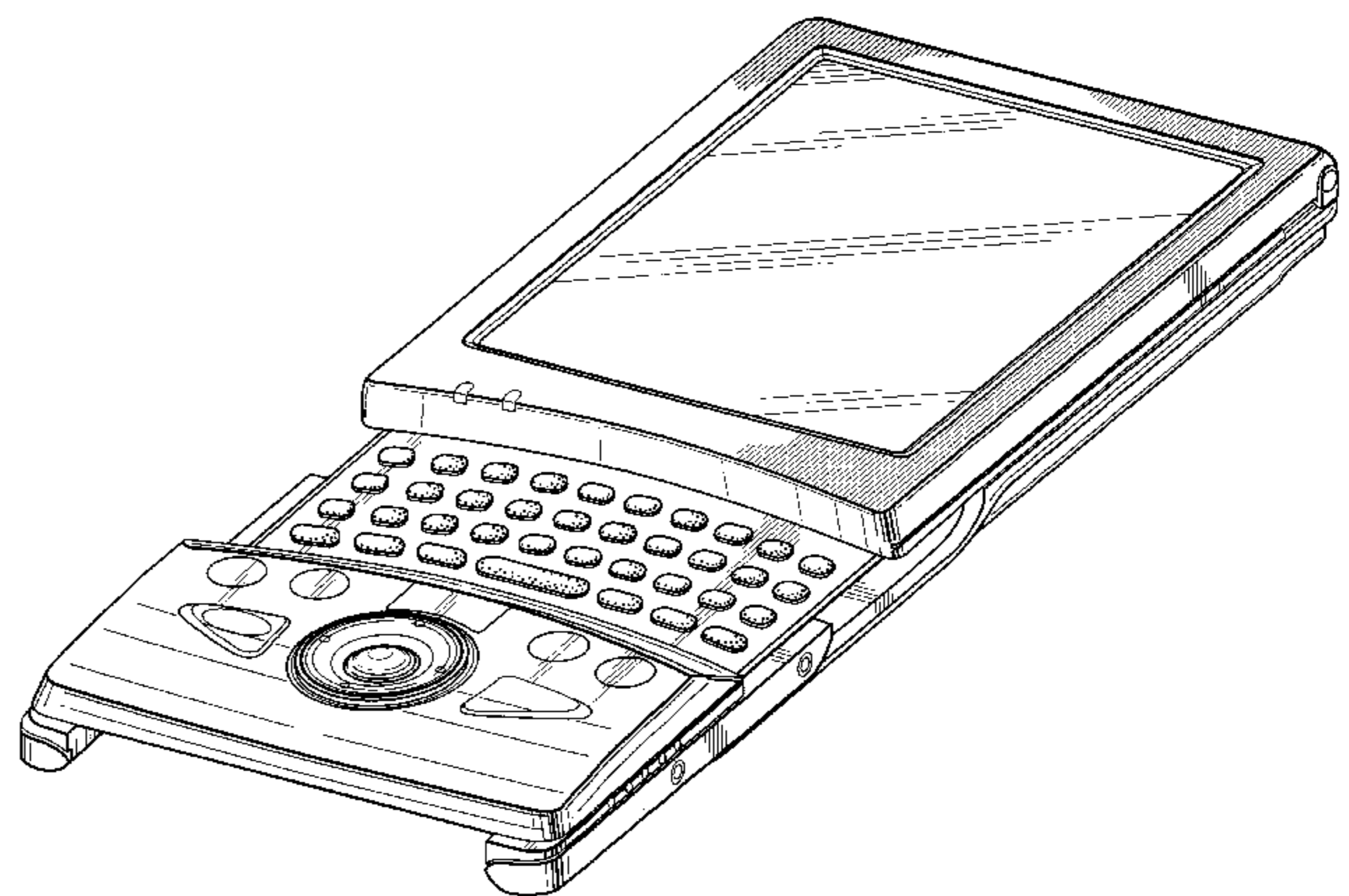
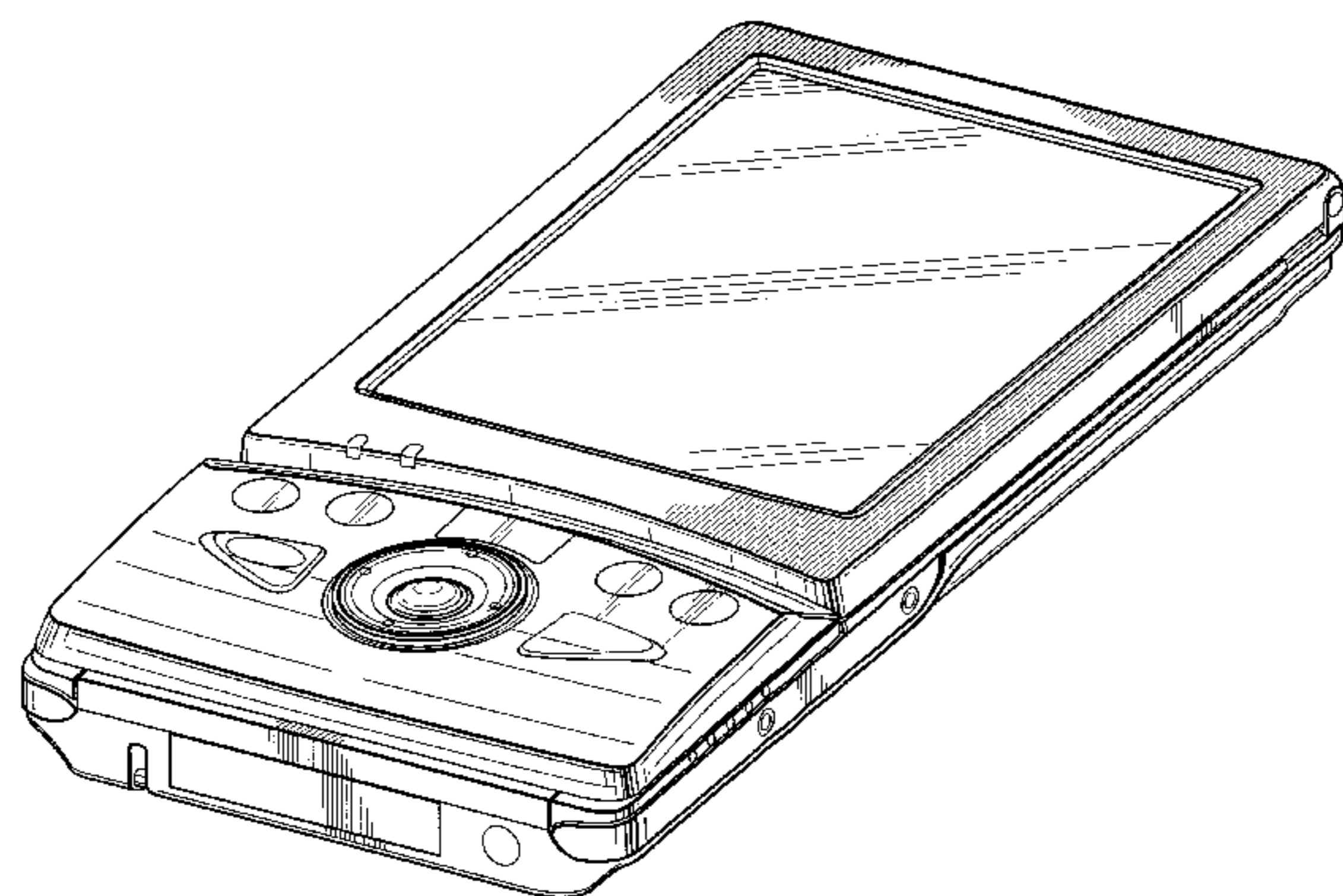
(57) **CLAIM**

The ornamental design for a personal digital assistant, as shown and described.

DESCRIPTION

FIG. 1 is a top, front and right side perspective view of a personal digital assistant according to our design;
 FIG. 2 is a front elevational view thereof;
 FIG. 3 is a top plan view thereof;
 FIG. 4 is a rear elevational view;
 FIG. 5 is a bottom plan view;
 FIG. 6 is a right side elevational view;
 FIG. 7 is a left side elevational view;
 FIG. 8 is a top, front and right side perspective view of the personal digital assistant hereof with the control panel slid forwardly of the display;
 FIG. 9 is a top plan view thereof;
 FIG. 10 is a right side elevational view thereof; and,
 FIG. 11 is a left side elevational view thereof.

1 Claim, 7 Drawing Sheets



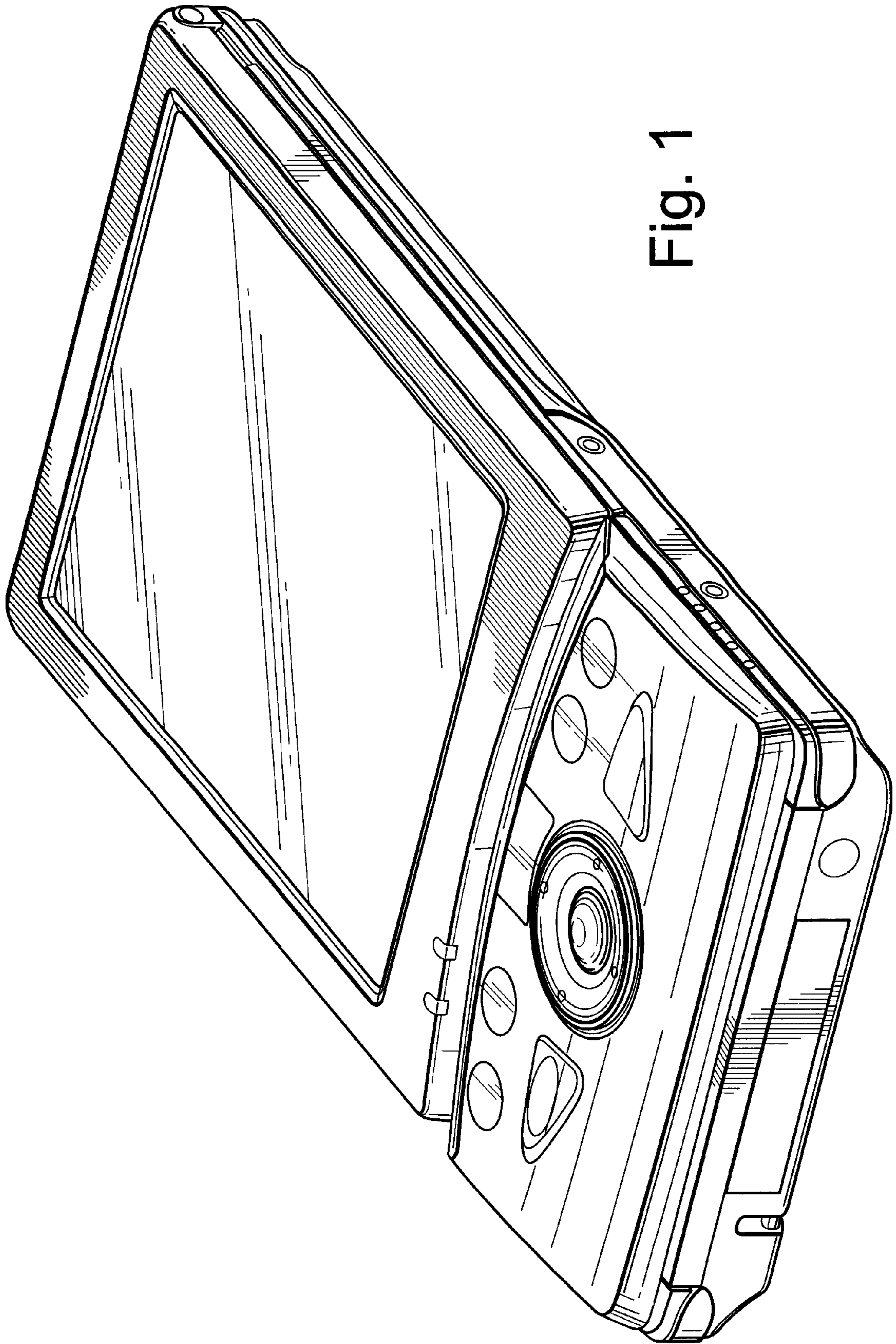


Fig. 1

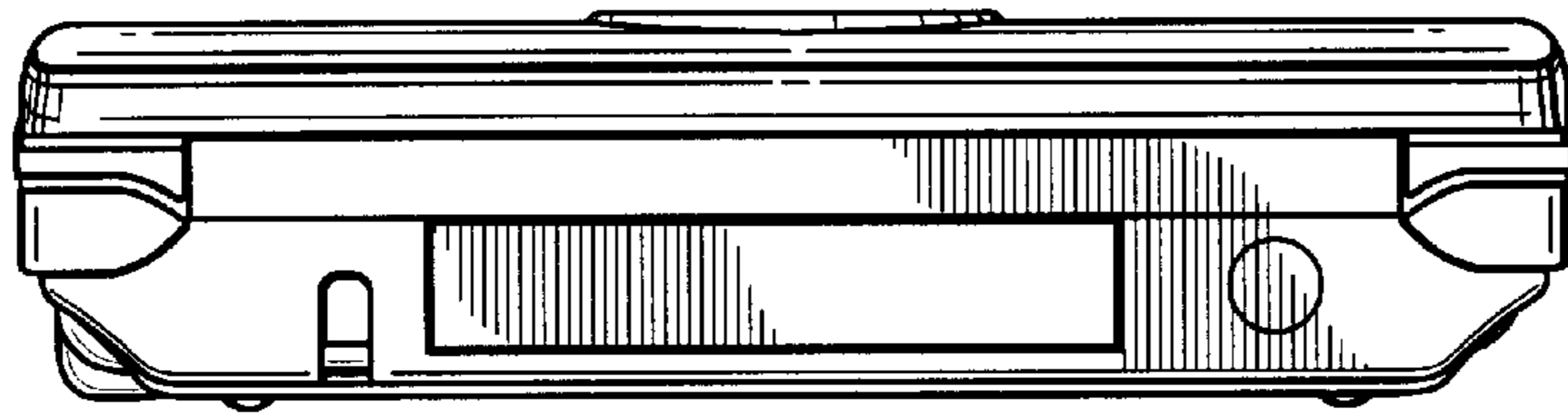


Fig. 2

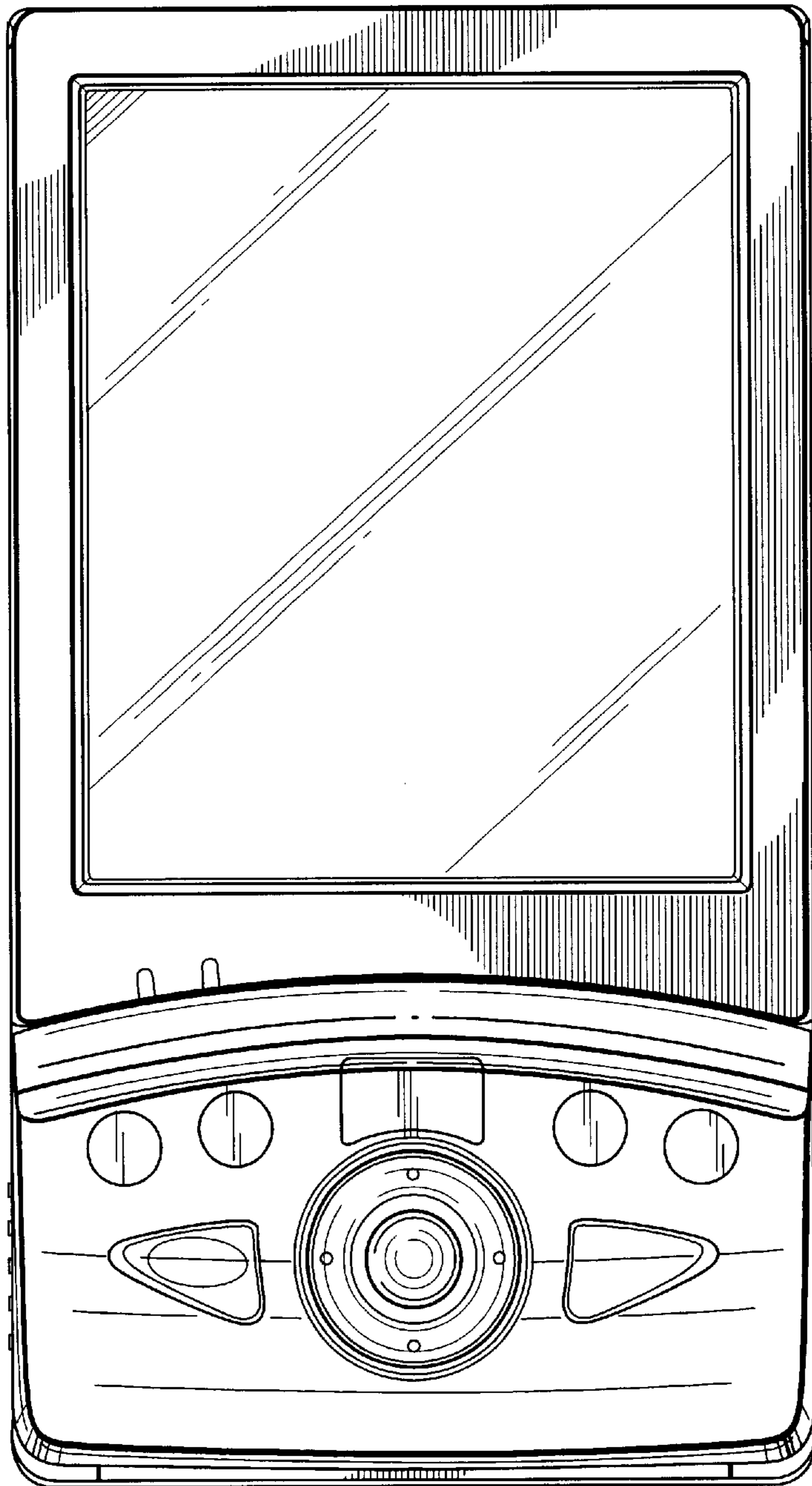


Fig. 3

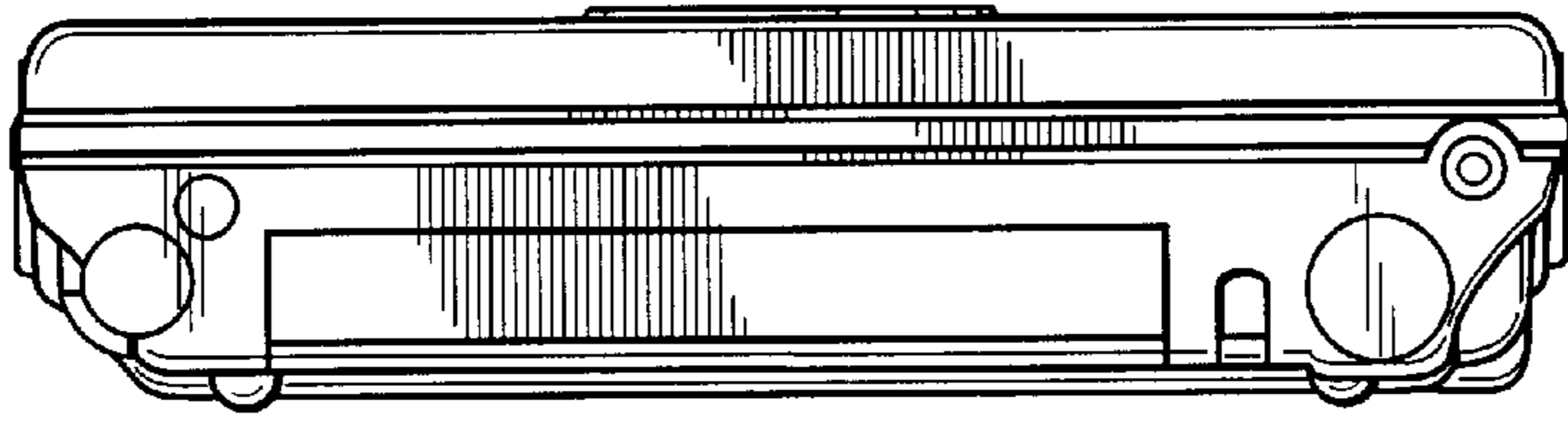


Fig. 4

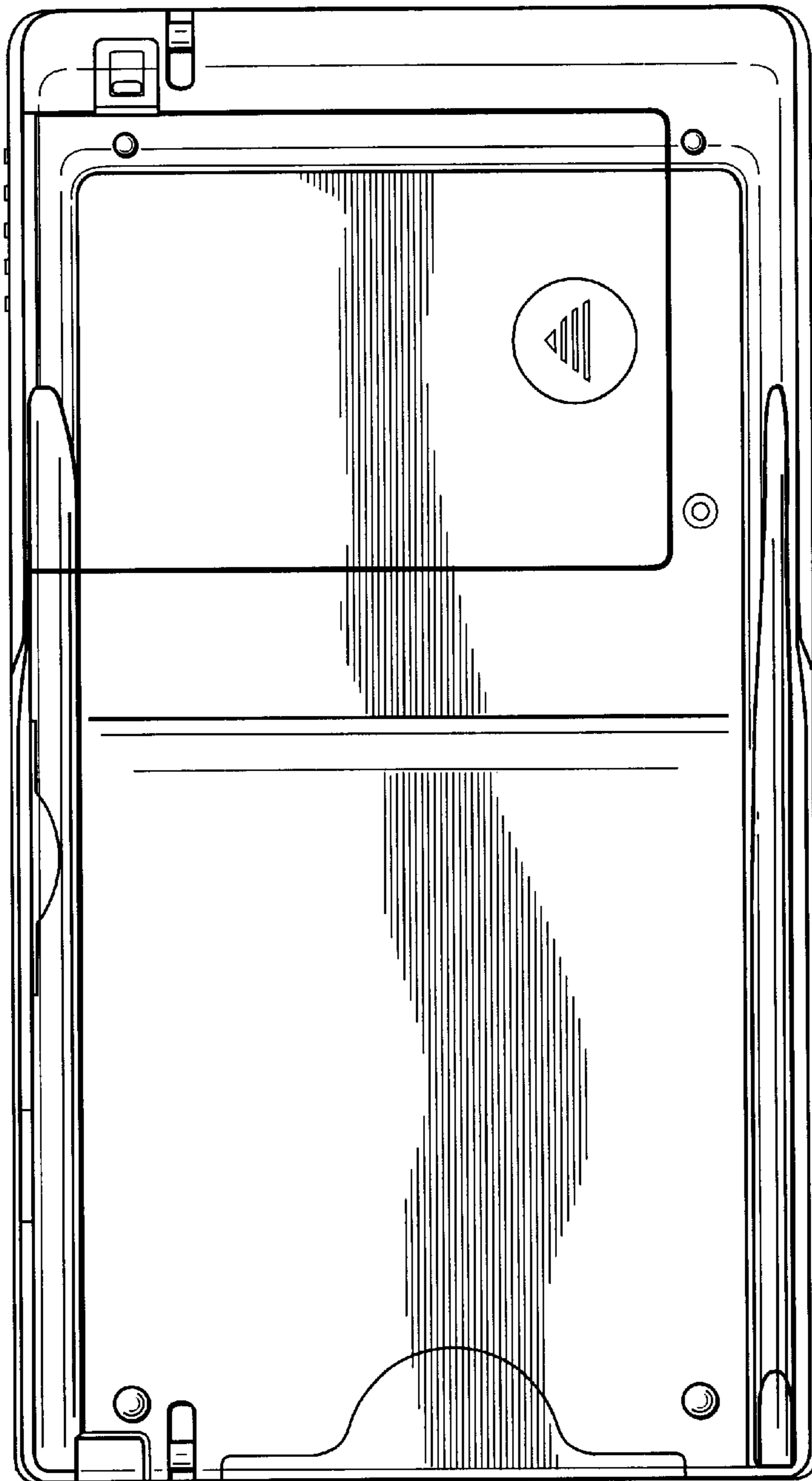


Fig. 5

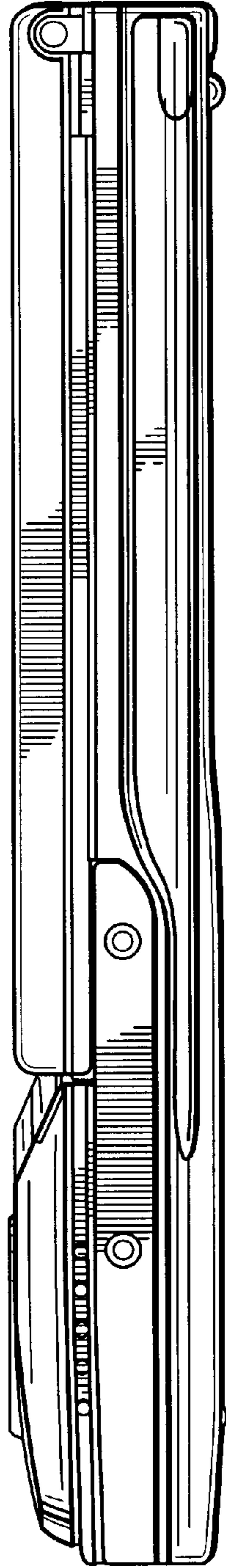


Fig. 6

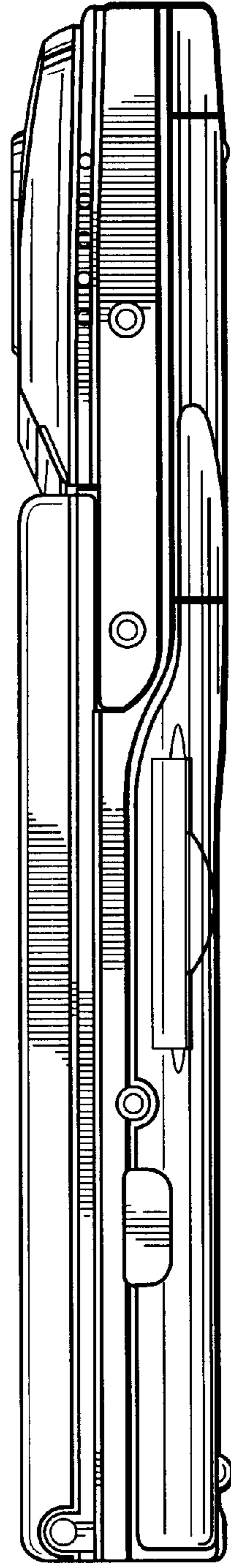


Fig. 7

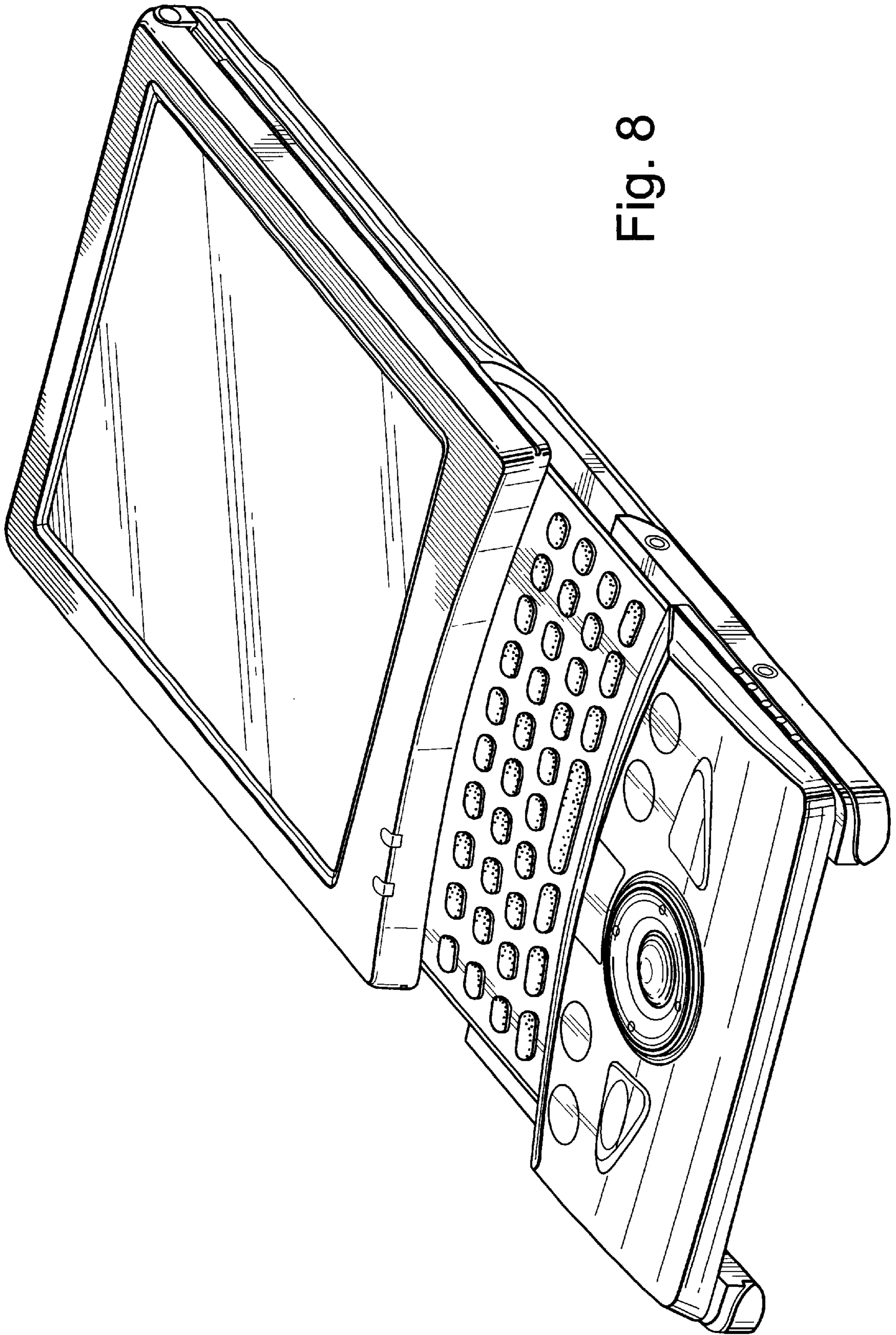


Fig. 8

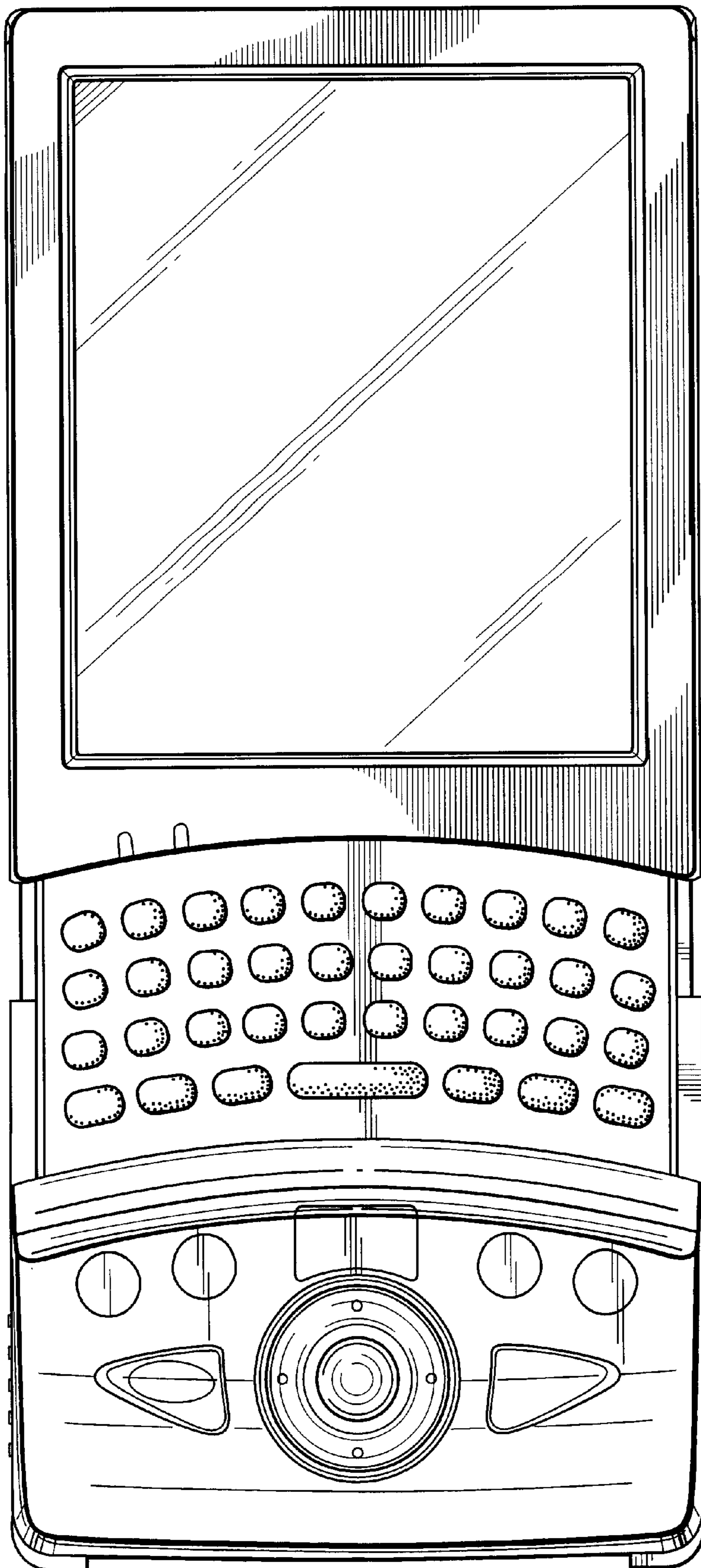


Fig. 9

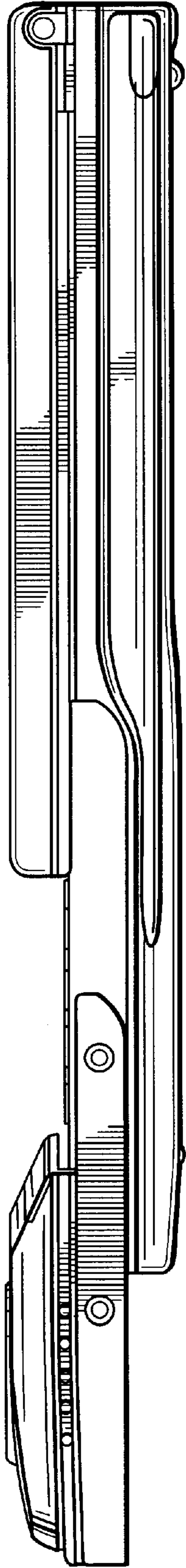


Fig. 10

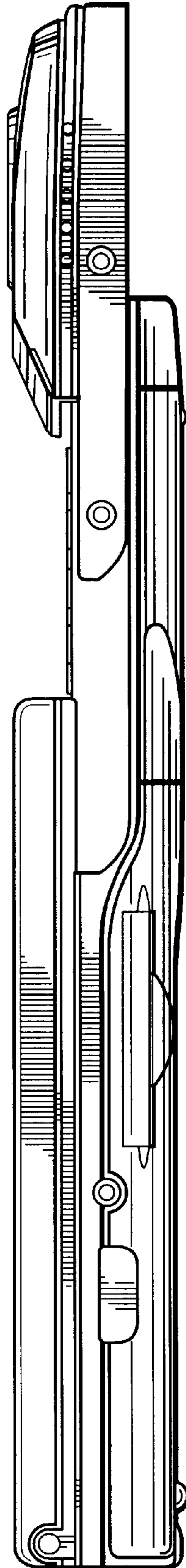


Fig. 11