



US00D465218S

(12) **United States Design Patent**
Schebesch et al.

(10) **Patent No.:** **US D465,218 S**

(45) **Date of Patent:** **** Nov. 5, 2002**

(54) **PERSONAL COMMUNICATION DEVICE**

(76) Inventors: **Steven W. Schebesch**, 23411
Summerfield #425, Aliso Viejo, CA
(US) 92656; **Michael L. Obradovich**,
1904 Avenida Salvatore, San Clemente,
CA (US) 92672

(**) Term: **14 Years**

(21) Appl. No.: **29/112,785**

(22) Filed: **Oct. 21, 1999**

(51) **LOC (7) Cl.** **14-02**

(52) **U.S. Cl.** **D14/343**

(58) **Field of Search** D14/341-346,
D14/138, 140, 144; D18/1, 2, 7; 235/145 A,
145 R; 341/22, 23; 345/156, 168, 169,
172, 173; 349/12; 361/680-686; 379/447,
428.01; 708/109; 340/7.1; 455/556

(56) **References Cited**

U.S. PATENT DOCUMENTS

5,189,632 A *	2/1993	Paajanen et al.	455/556
D350,763 S	9/1994	Matsuda et al.	D18/7
D370,213 S	5/1996	Iwamoto et al.	D14/105
D383,731 S	9/1997	Mieki et al.	D14/100
D389,814 S	1/1998	Iwamoto et al.	D14/105
5,719,936 A *	2/1998	Hillenmayer	379/428.01
D401,914 S *	12/1998	Kamegi	D14/138
D410,486 S	6/1999	Takahata et al.	D18/2
5,929,774 A *	7/1999	Charlton	340/7.1

OTHER PUBLICATIONS

Kyocera Corporation: "DataScope DS-110 DS-320", <http://www.kyocera.co.jp/event/9803/datascope/d-main.html>, 1998, Printed Dec. 23, 1998, 6 pages.

Kyocera Corporation: "DataScope DS-320", <http://www.kyocera.co.jp/frame/product/telecom/ds320-j.htm>, 1998, Printed Dec. 23, 1998, 4 pages.

Kyocera Corporation: "DataScope for DoCoM0", <http://www.kyocera.co.jp/frame/product/telecom/fordomo2.htm>, 1998, Printed Dec. 23, 1998, 4 pages.

Kyocera Corporation: "DataScope DS-110", <http://www.kyocera.co.jp/frame/product/telecom/ds-op-j.htm>, 1998, Printed Dec. 23, 1998, 5 pages.

* cited by examiner

Primary Examiner—Freda Nunn

(74) *Attorney, Agent, or Firm*—Christie, Parker & Hale, LLP

(57) **CLAIM**

The ornamental design for a personal communication device, as shown and described.

DESCRIPTION

FIG. 1 is a front view of one embodiment of the design;

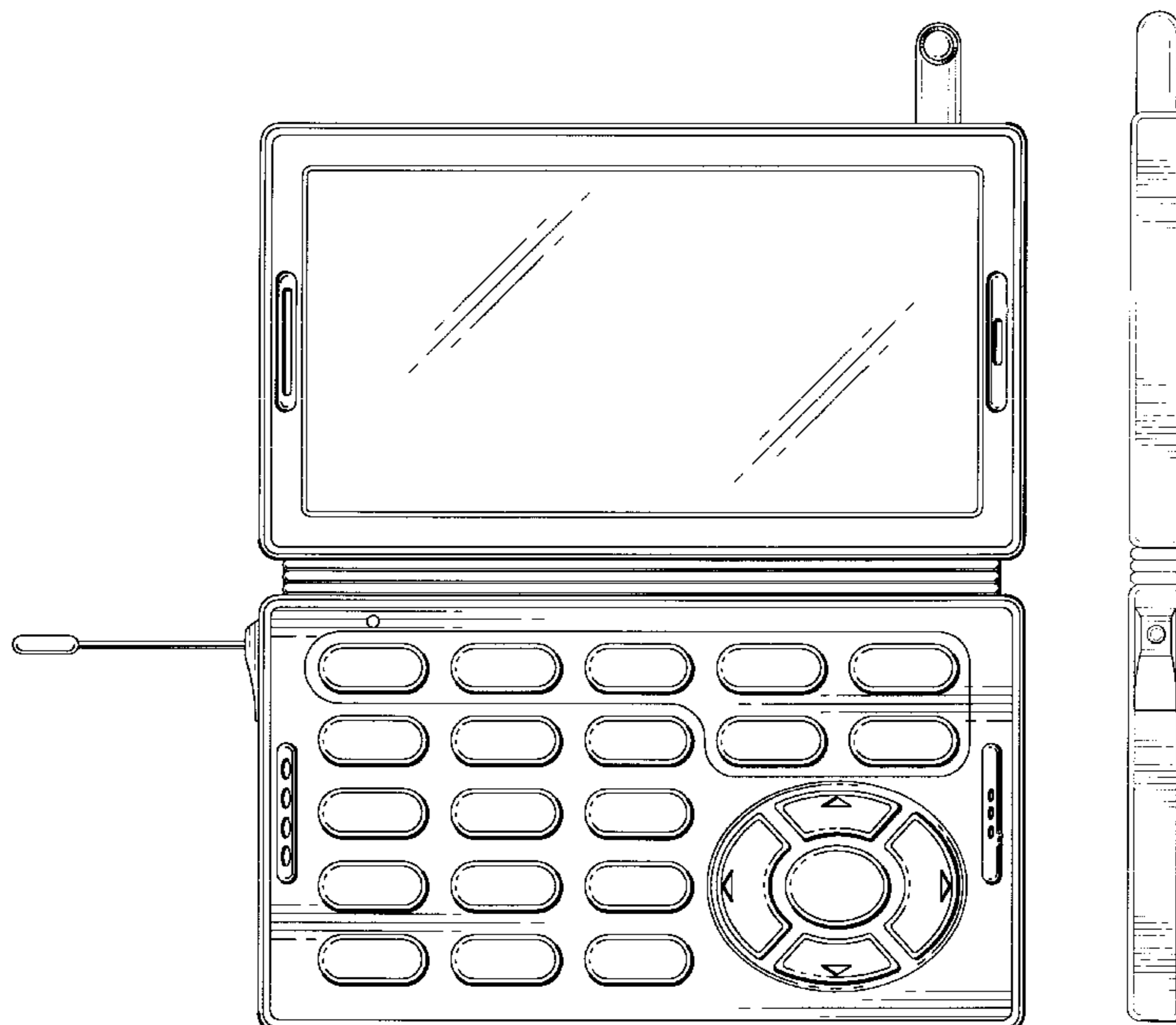
FIG. 2 is a front view of an alternative embodiment of the design;

FIG. 3 is a side view of the one embodiment of the design of FIG. 1; and,

FIG. 4 is a side view of the alternative embodiment of the design of FIG. 2.

The unillustrated surfaces are flat and unornamented.

1 Claim, 2 Drawing Sheets



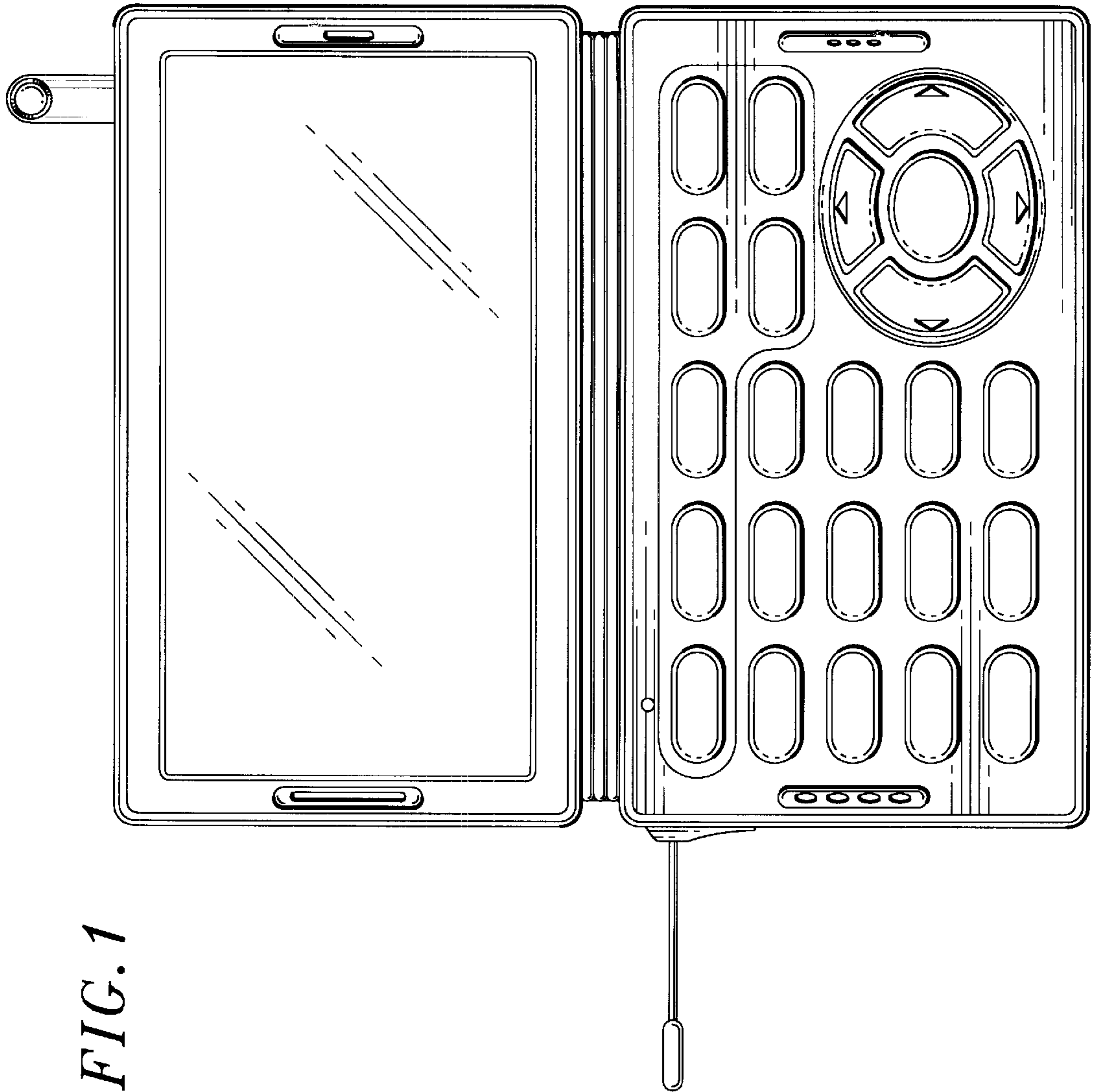


FIG. 1



FIG. 3

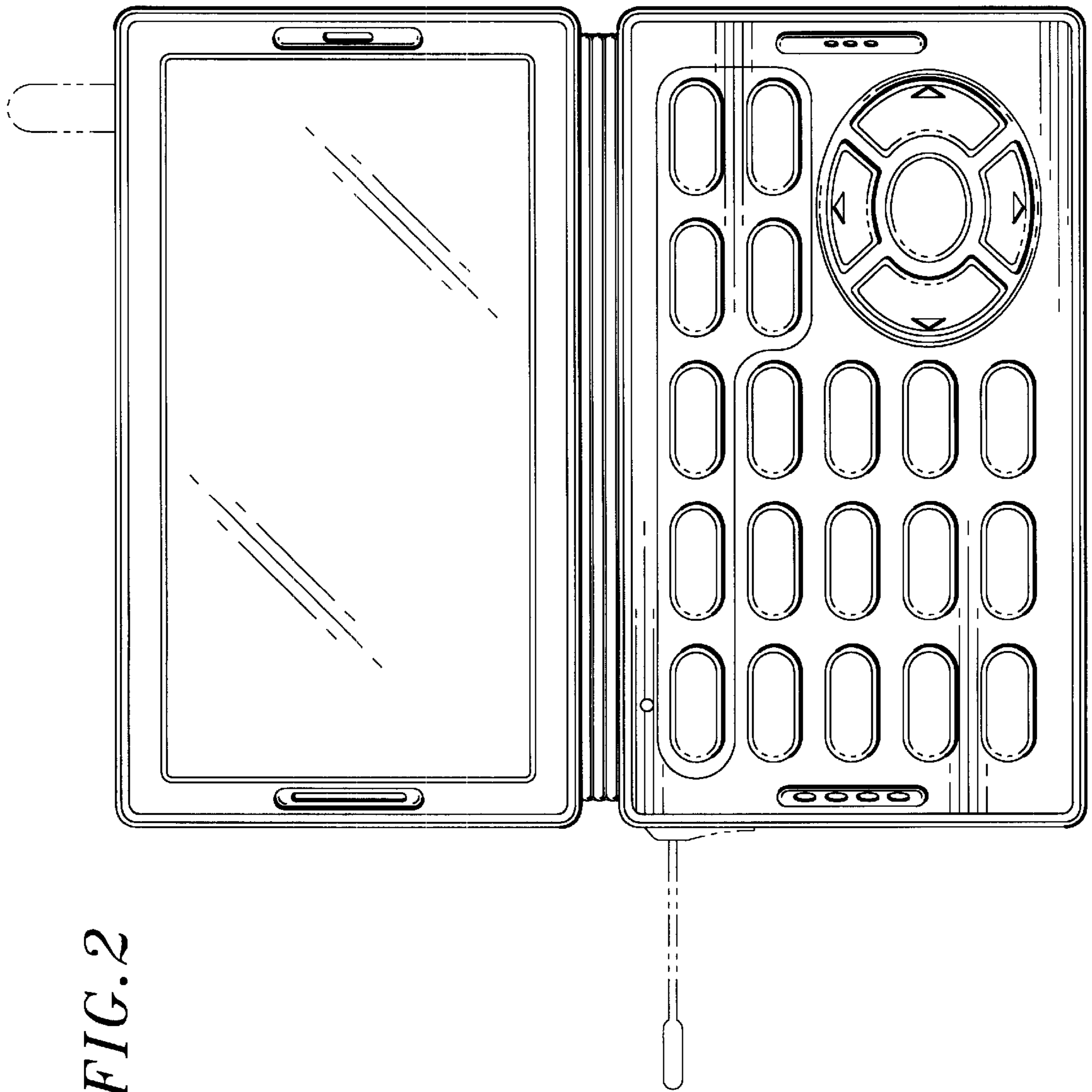


FIG. 2



FIG. 4