



US00D465217S

(12) **United States Design Patent**
Roots

(10) **Patent No.:** **US D465,217 S**

(45) **Date of Patent:** **** Nov. 5, 2002**

(54) **COMPUTER DISPLAY DEVICE**

D263,102 S * 2/1982 George et al. D6/421
5,702,166 A * 12/1997 Lee 312/107
D412,719 S * 8/1999 Leeds D20/41

(75) Inventor: **Alastair Roots**, Peckham (GB)

(73) Assignee: **Accenture Global Services GmbH**,
Schaffhausen (CH)

* cited by examiner

(**) Term: **14 Years**

Primary Examiner—Freda Nunn

(74) *Attorney, Agent, or Firm*—Morrison & Foerster LLP

(21) Appl. No.: **29/140,825**

(57) **CLAIM**

(22) Filed: **Apr. 24, 2001**

The ornamental design for the computer display device, as shown.

(30) **Foreign Application Priority Data**

Oct. 25, 2000 (GB) 2096890

DESCRIPTION

(51) **LOC (7) Cl.** **14-02**

FIG. 1 illustrates an elevation view from one side.

(52) **U.S. Cl.** **D14/306**

FIG. 2 illustrates a front elevation view.

(58) **Field of Search** D14/302, 305–308,
D14/125–129, 205, 211, 223; 248/917–924;
345/104, 156, 168, 173, 901–905, 87; 348/180,
184, 325, 739; 349/1, 2, 11, 62; 341/12;
D24/234; D6/397, 421; D20/19, 41; 312/107

FIG. 3 illustrates an elevation view from the other side.

FIG. 4 illustrates a back elevation view.

FIG. 5 illustrates a top plan view.

FIG. 6 illustrates a view from below; and,

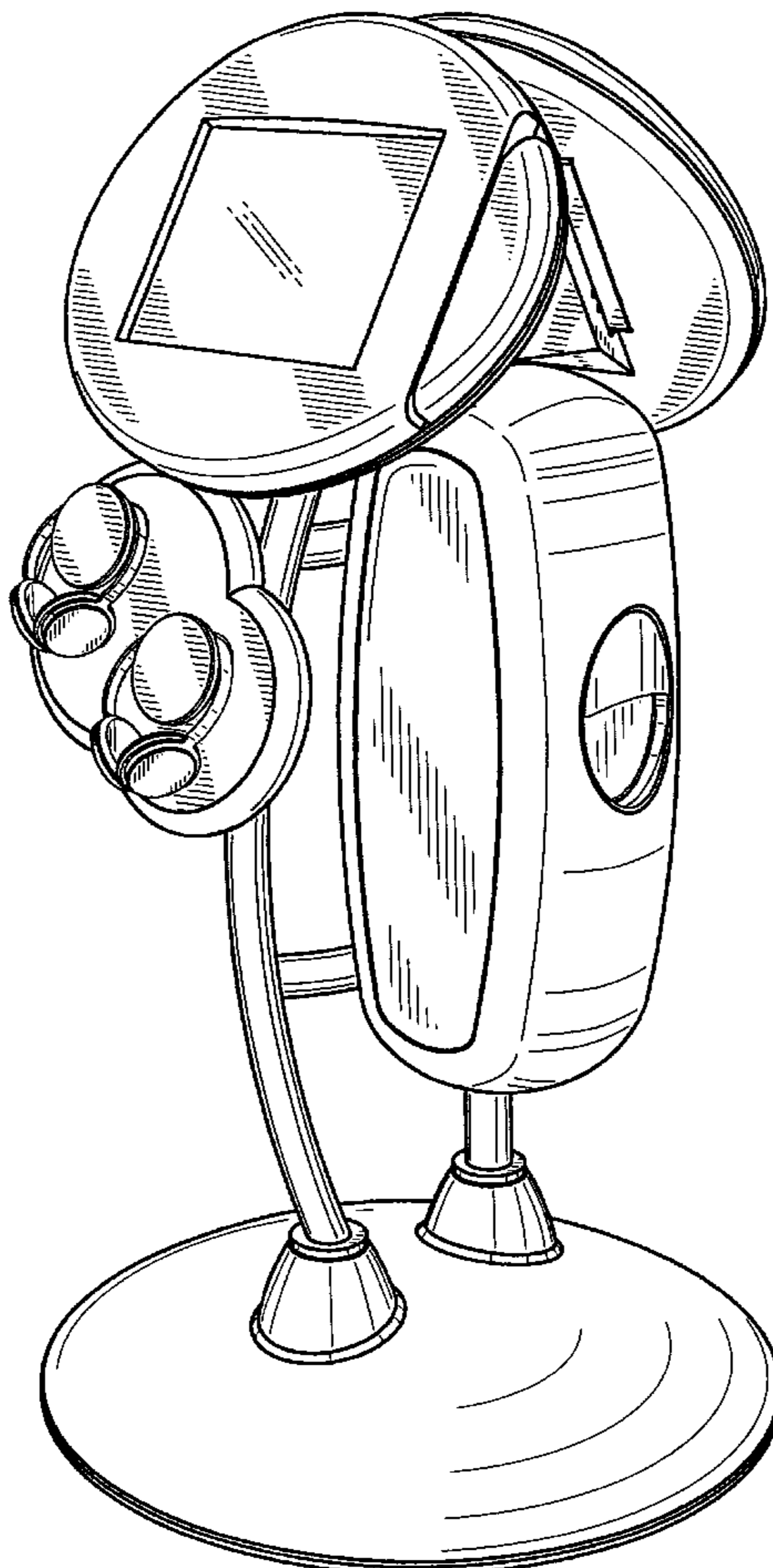
FIG. 7 illustrates a perspective view of the computer display device.

(56) **References Cited**

U.S. PATENT DOCUMENTS

D244,073 S * 4/1977 Urbaniec et al. D6/397

1 Claim, 7 Drawing Sheets



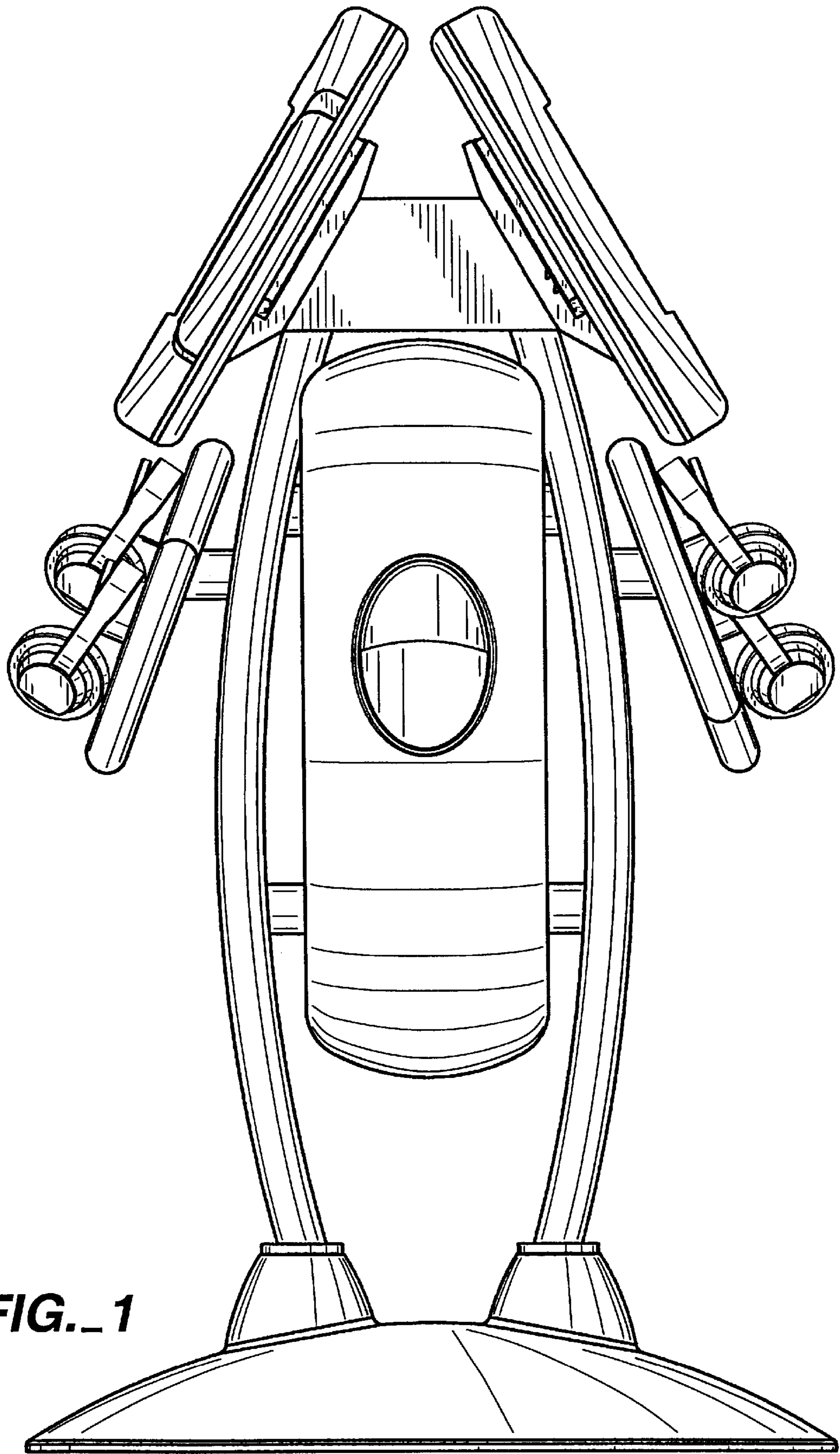


FIG. 1

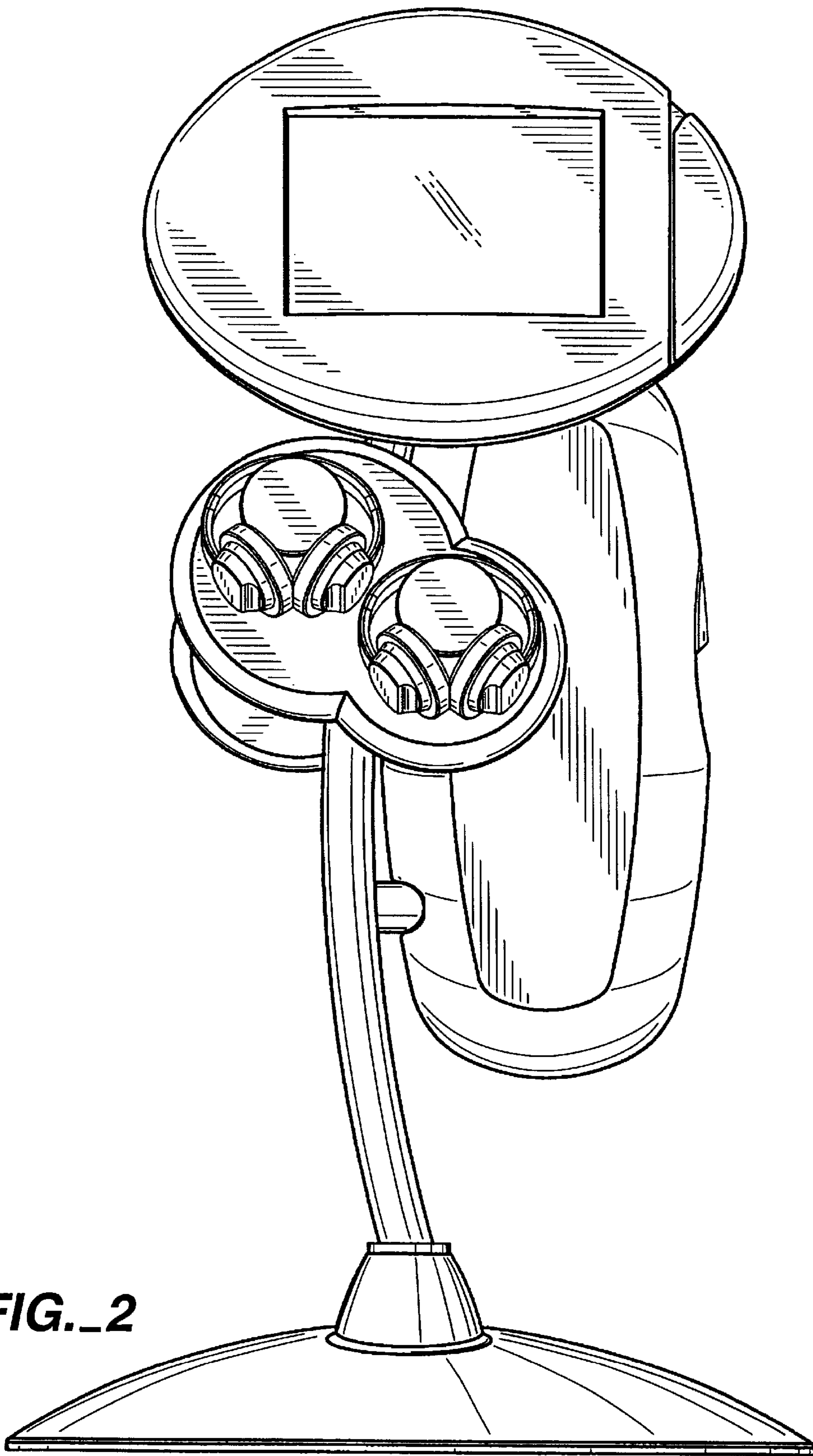


FIG. 2

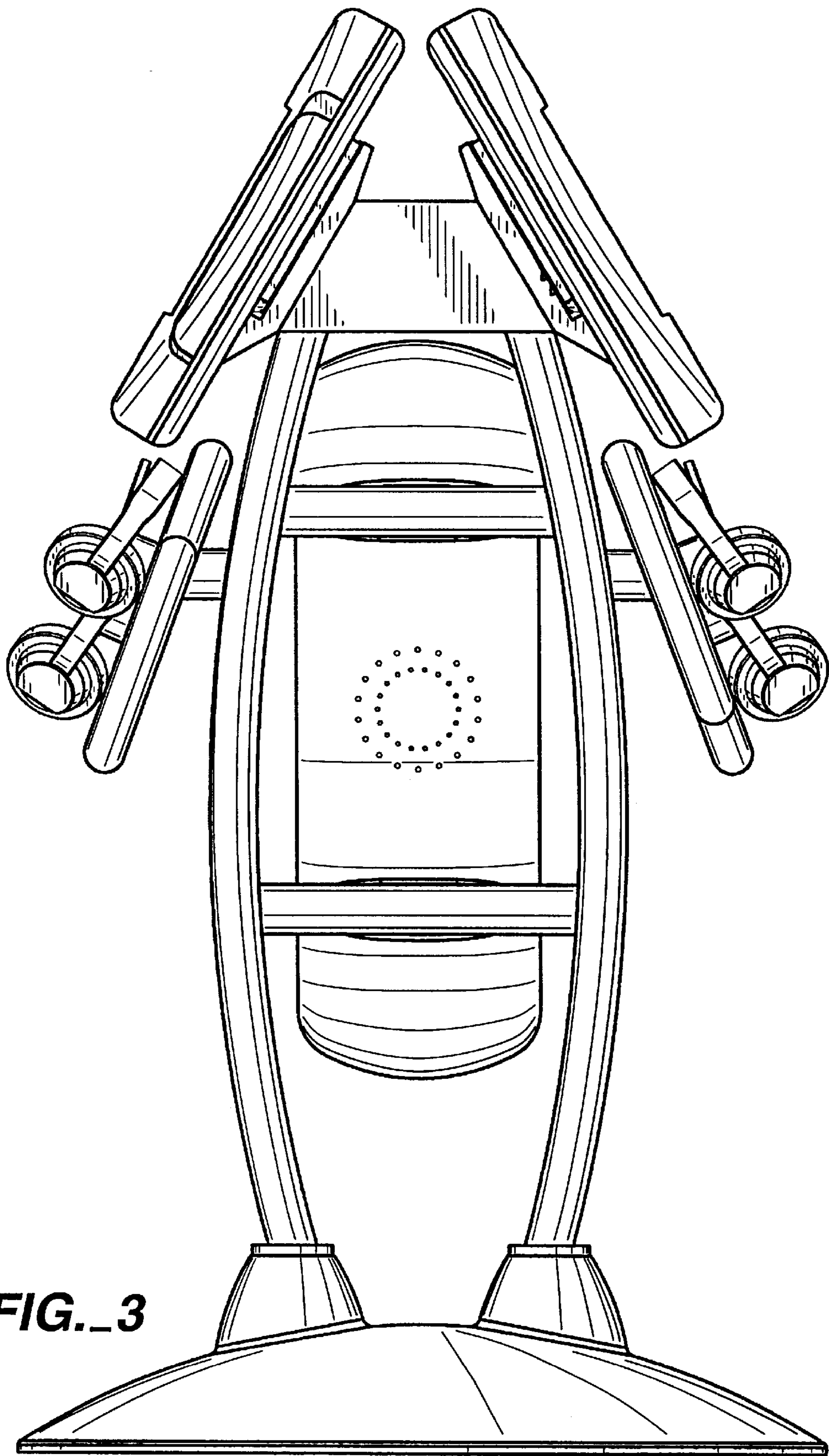


FIG. 3

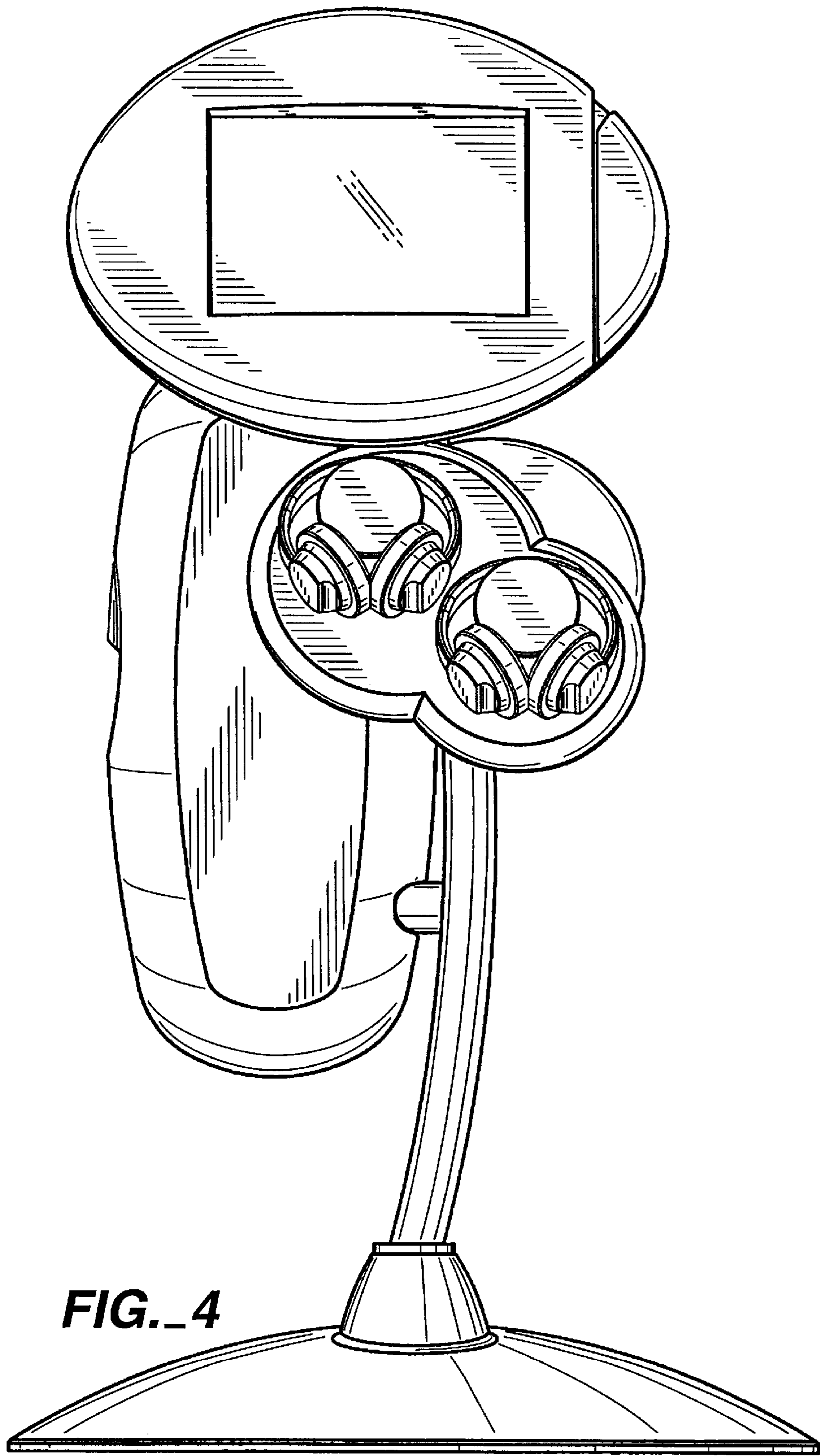


FIG. 4

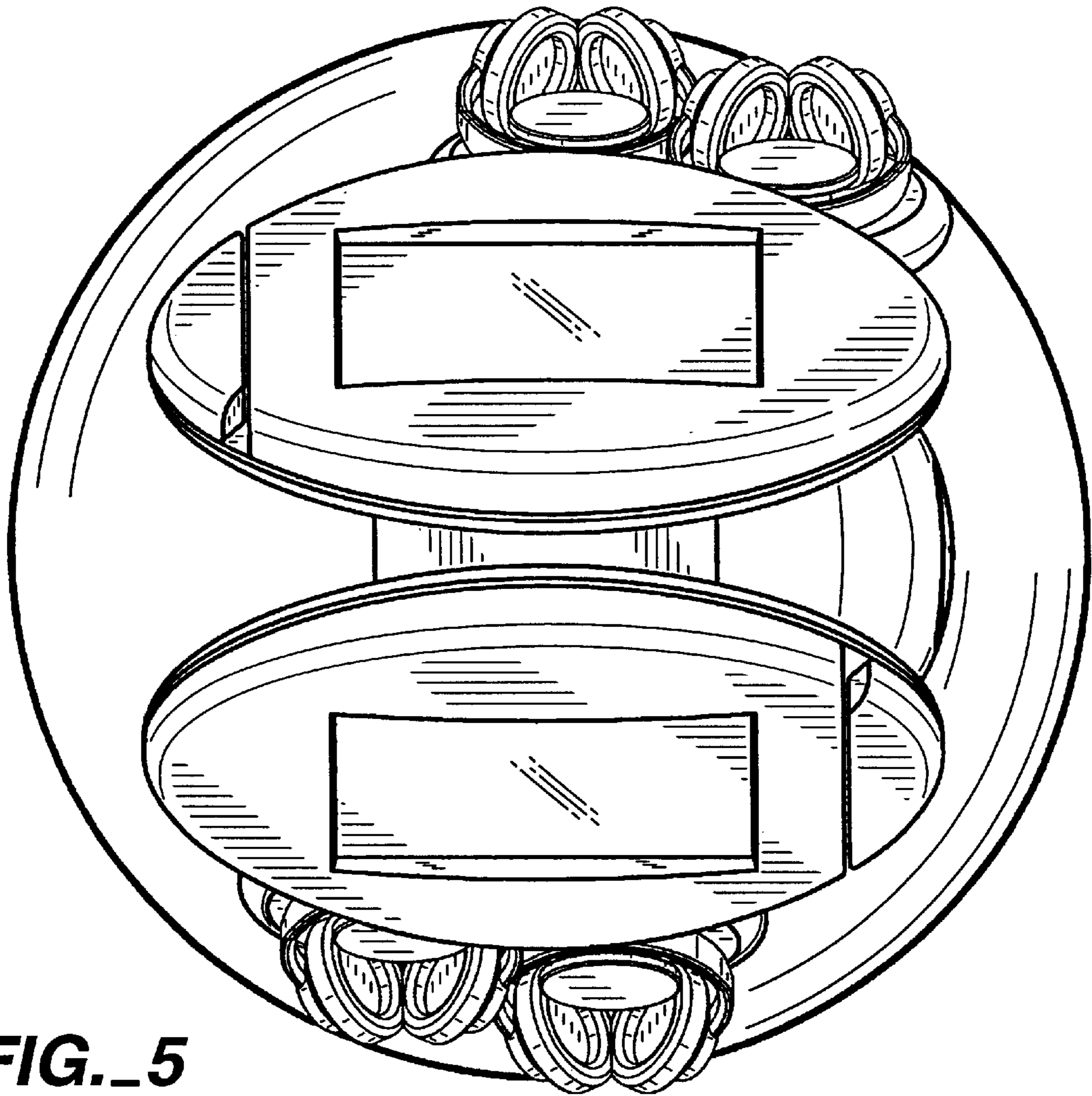


FIG. 5

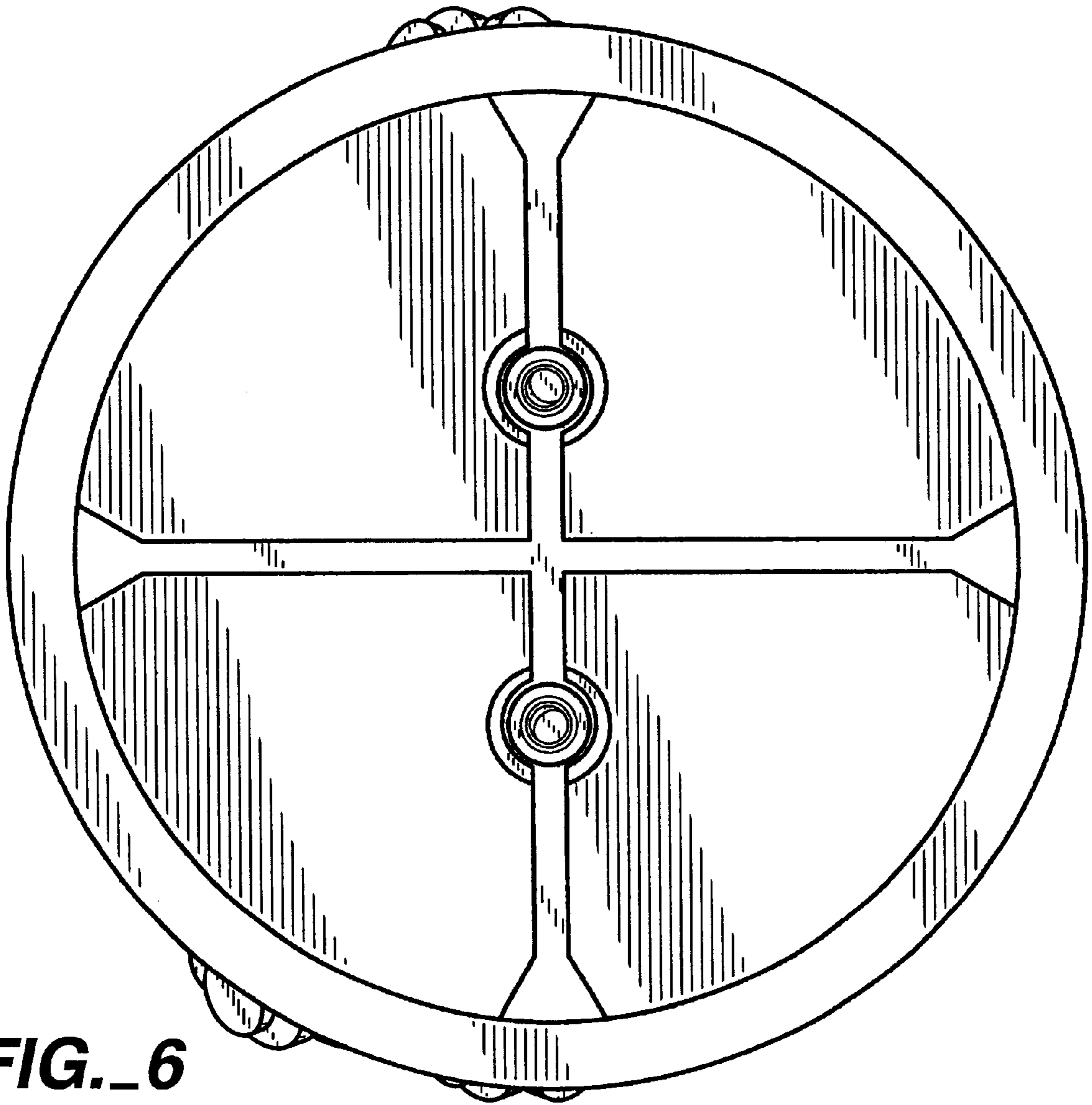


FIG. 6

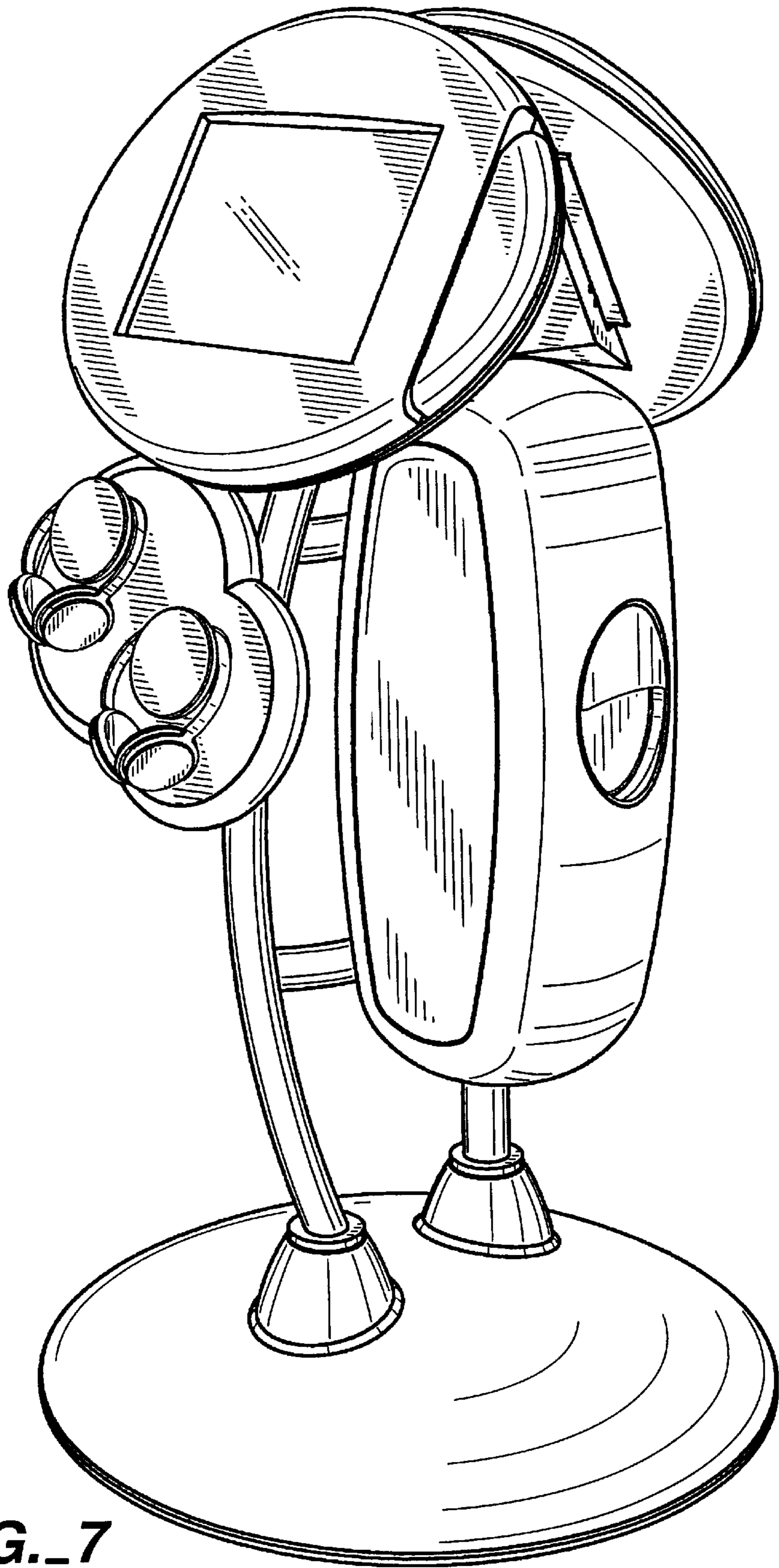


FIG. 7