



US00D465213S

(12) **United States Design Patent**
Baumert et al.

(10) **Patent No.:** **US D465,213 S**

(45) **Date of Patent:** **** Nov. 5, 2002**

(54) **FRONTAL CONFIGURATION OF A REMOTE CONTROL**

D439,572 S * 3/2001 Kang D14/138

* cited by examiner

(75) Inventors: **Heinz Baumert**, Sindelfingen (DE);
Manfred Dorn, Stuttgart (DE)

Primary Examiner—Louis S. Zarfes

Assistant Examiner—Deanne Levy

(73) Assignee: **DaimlerChrysler AG**, Stuttgart (DE)

(74) *Attorney, Agent, or Firm*—Crowell & Moring LLP

(**) Term: **14 Years**

(57) **CLAIM**

(21) Appl. No.: **29/149,938**

The ornamental design for a frontal configuration of a remote control, as shown and described.

(22) Filed: **Oct. 23, 2001**

DESCRIPTION

(30) **Foreign Application Priority Data**

Apr. 23, 2001 (DE) 4 01 03 824

(51) **LOC (7) Cl.** **14-03**

(52) **U.S. Cl.** **D14/218**

(58) **Field of Search** D14/174, 217,
D14/218, 167-168, 124, 137-139, 155,
299; 348/114, 734; D10/104, 106; D21/512-517,
566; D13/168, 162-164; 455/352-355,
151.1-151.4

FIG. 1 is a front view of a frontal configuration of a remote control, in a closed position, according to our new design; FIG. 2 is a perspective view of a frontal configuration of a remote control thereof;

FIG. 3 is a right side view of a frontal configuration of a remote control, the left side view being a mirror-image thereof;

FIG. 4 is a front view of a frontal configuration of a remote control, in an open position;

FIG. 5 is a perspective view of a frontal configuration of a remote control shown in FIG. 4; and,

FIG. 6 is a right side view of a frontal configuration of a remote control shown in FIG. 4, the left side view being a mirror-image.

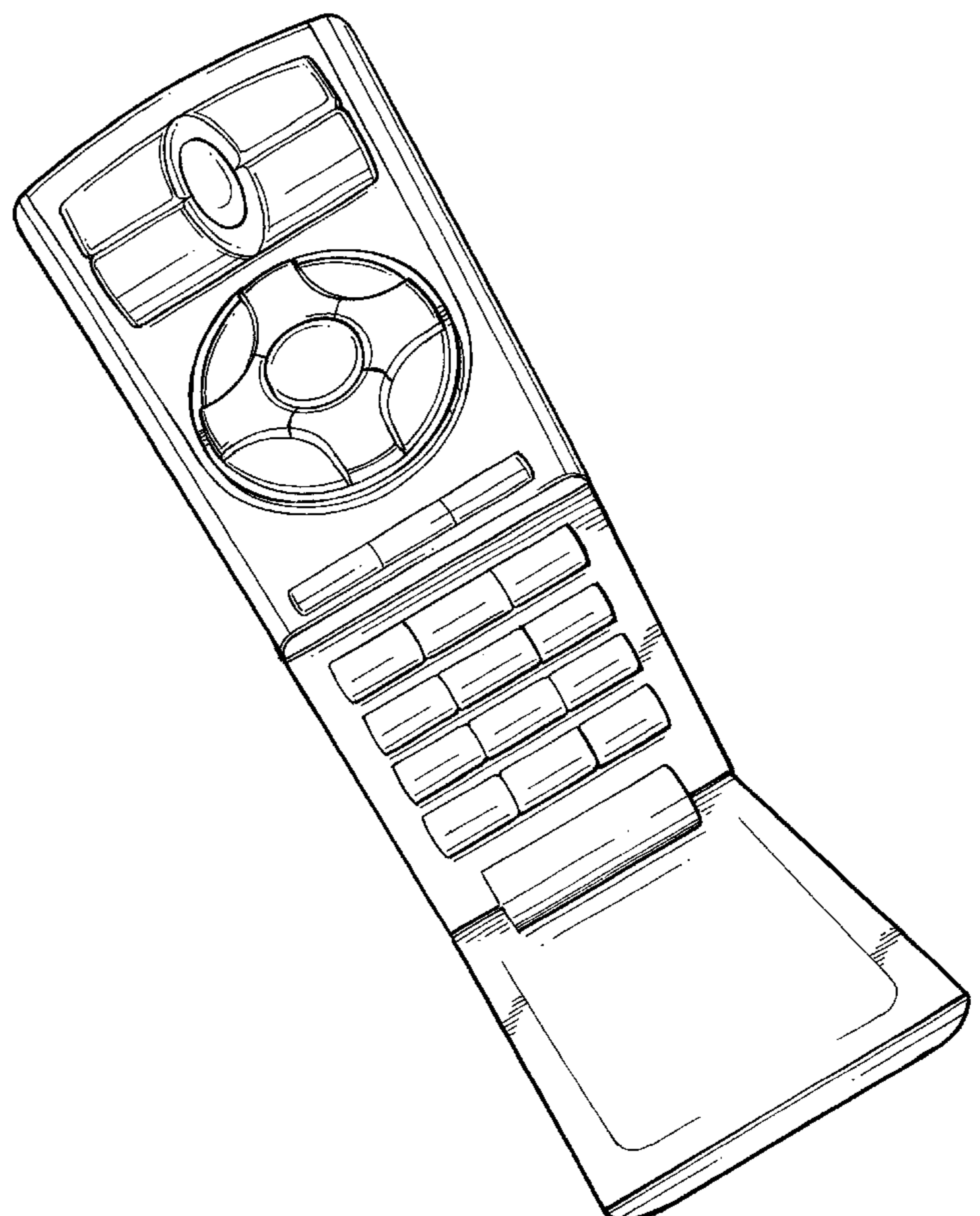
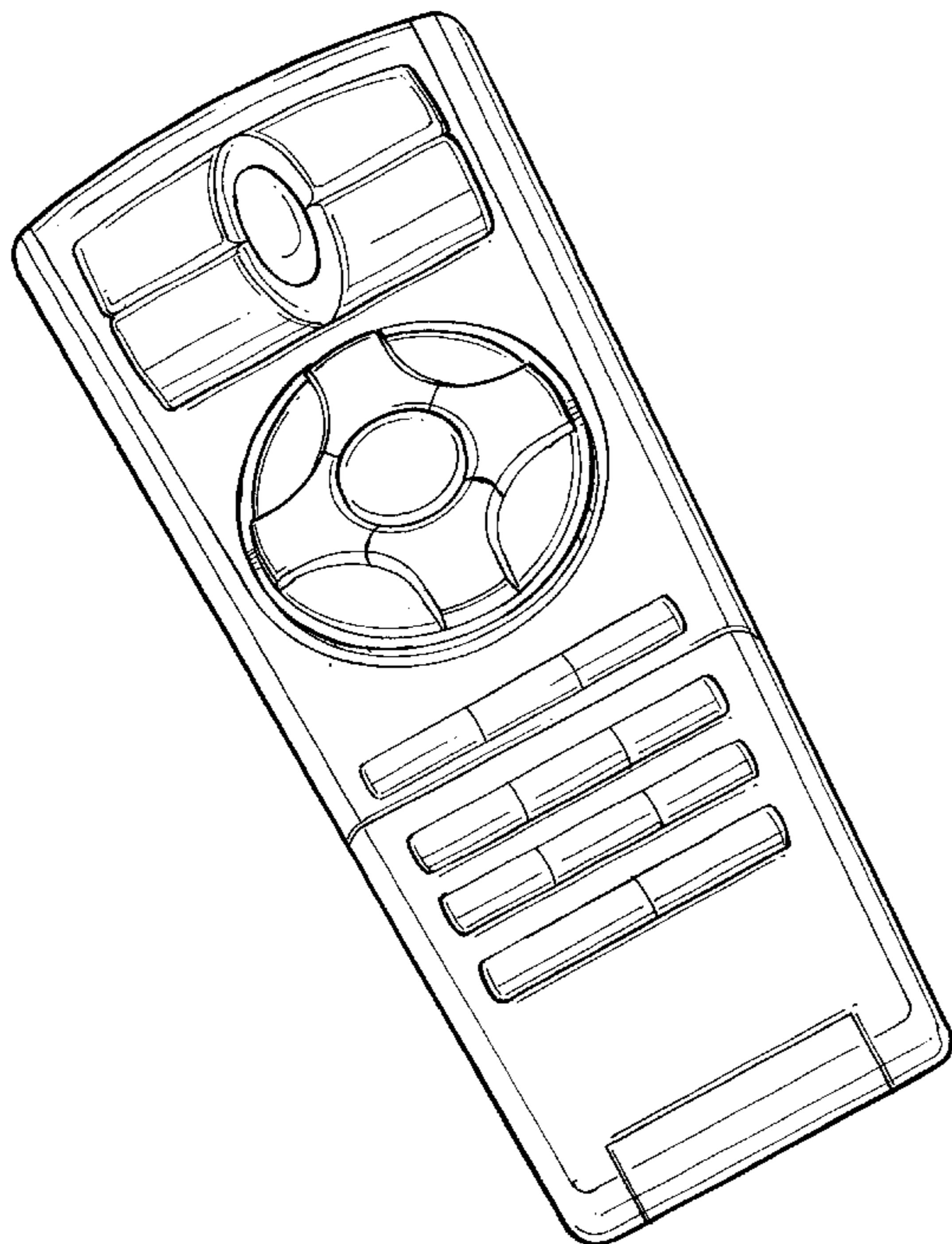
The broken line showing of a portion of the remote control is for illustrative purposes only and forms no part of the claimed design.

(56) **References Cited**

U.S. PATENT DOCUMENTS

4,745,397 A * 5/1988 Lagerbauer et al. 348/734
D383,462 S * 9/1997 Martz et al. D14/218
D385,876 S * 11/1997 Park D14/138
5,831,555 A * 11/1998 Yu et al. 348/734
D429,718 S * 8/2000 Rudolph D14/218

1 Claim, 4 Drawing Sheets



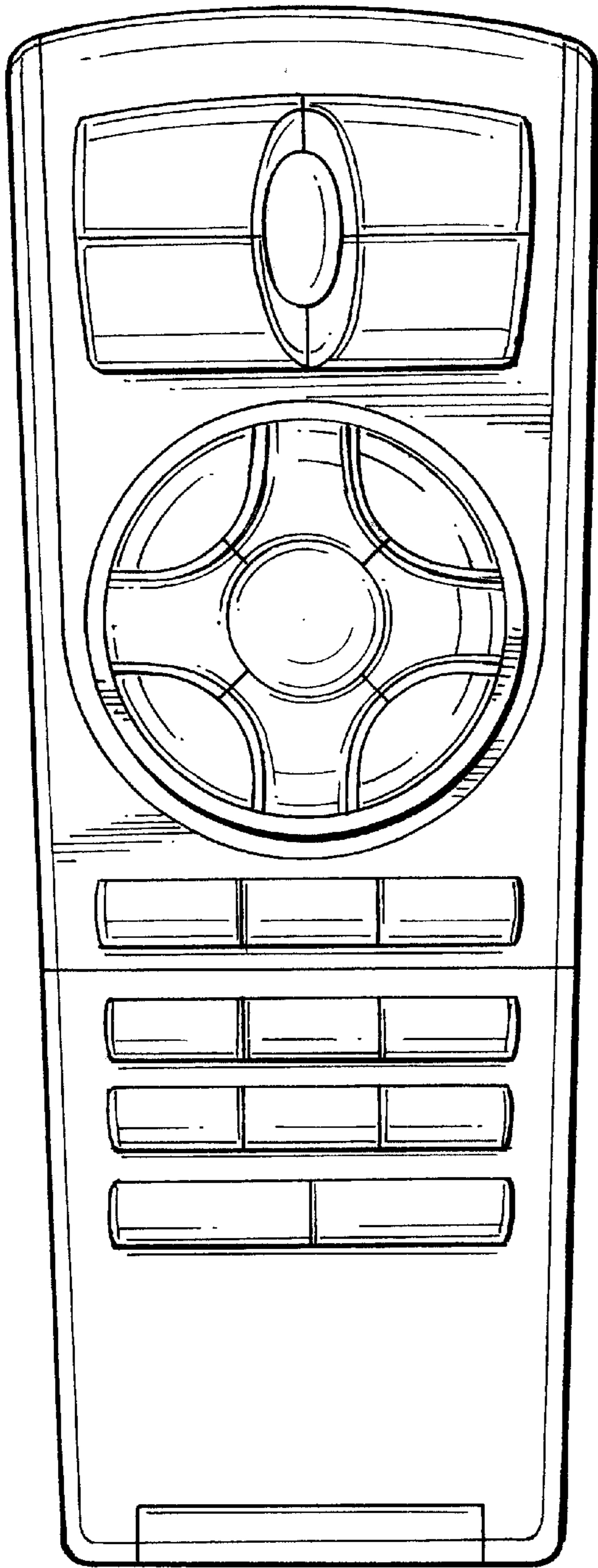


FIG. 1

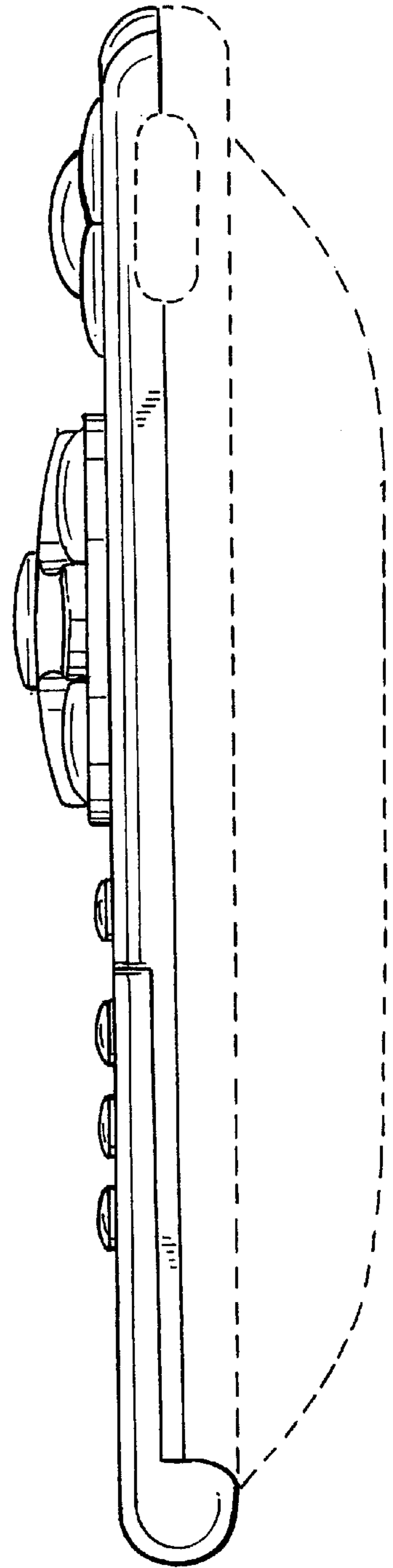


FIG. 3

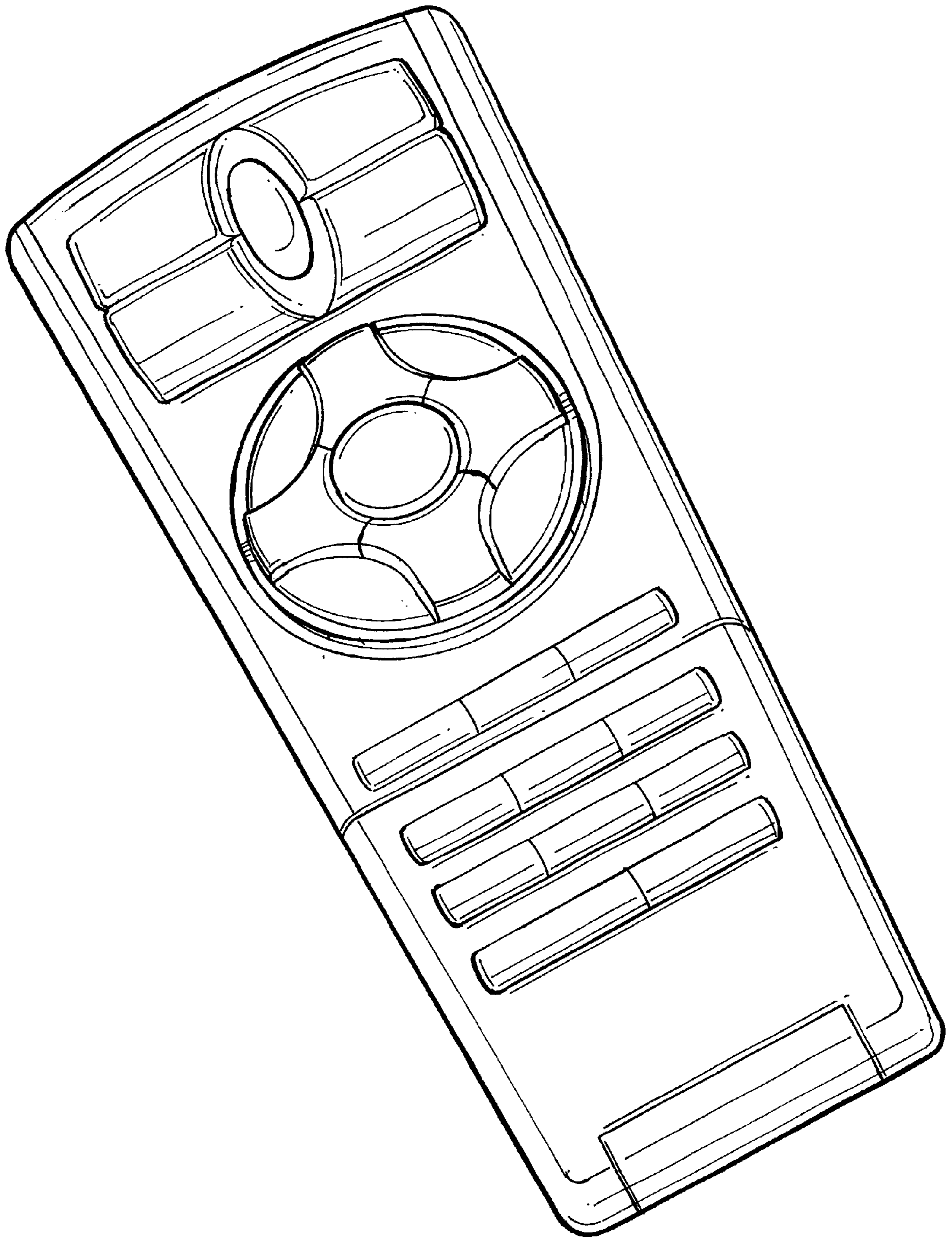


FIG. 2

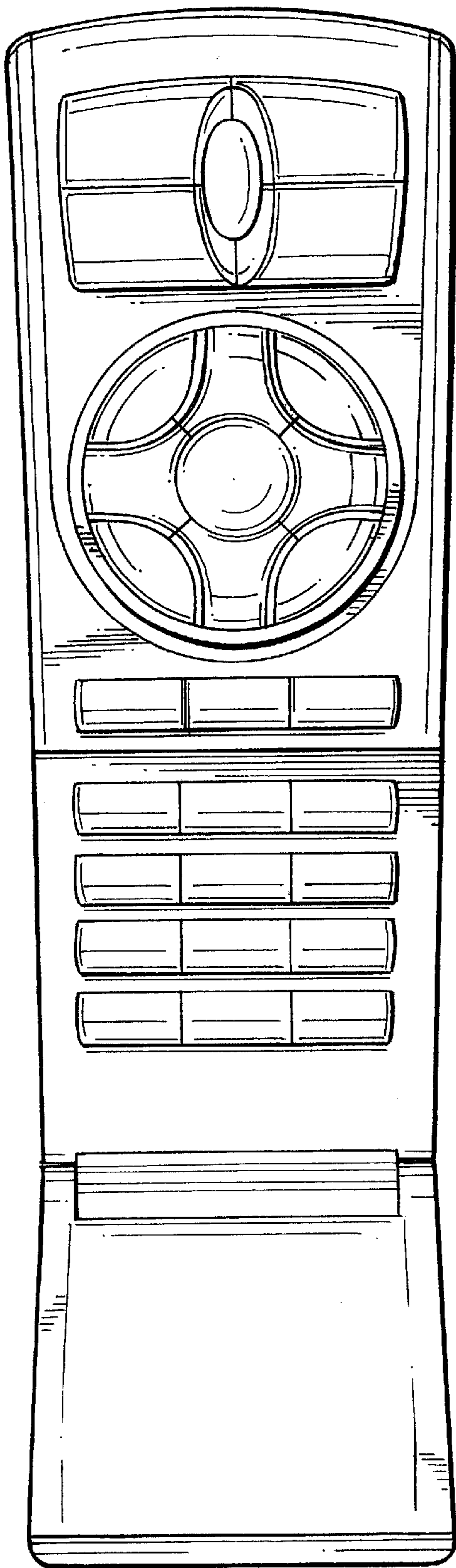


FIG. 4

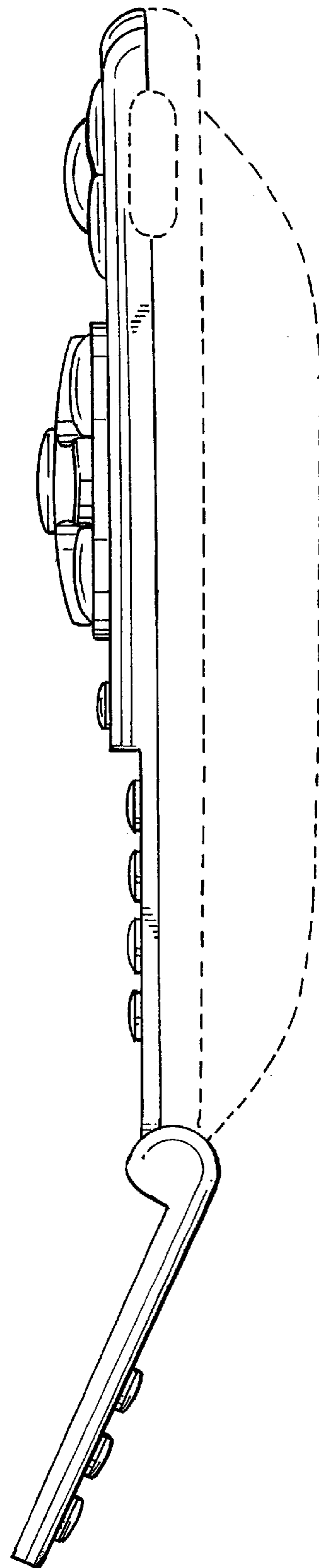


FIG. 6

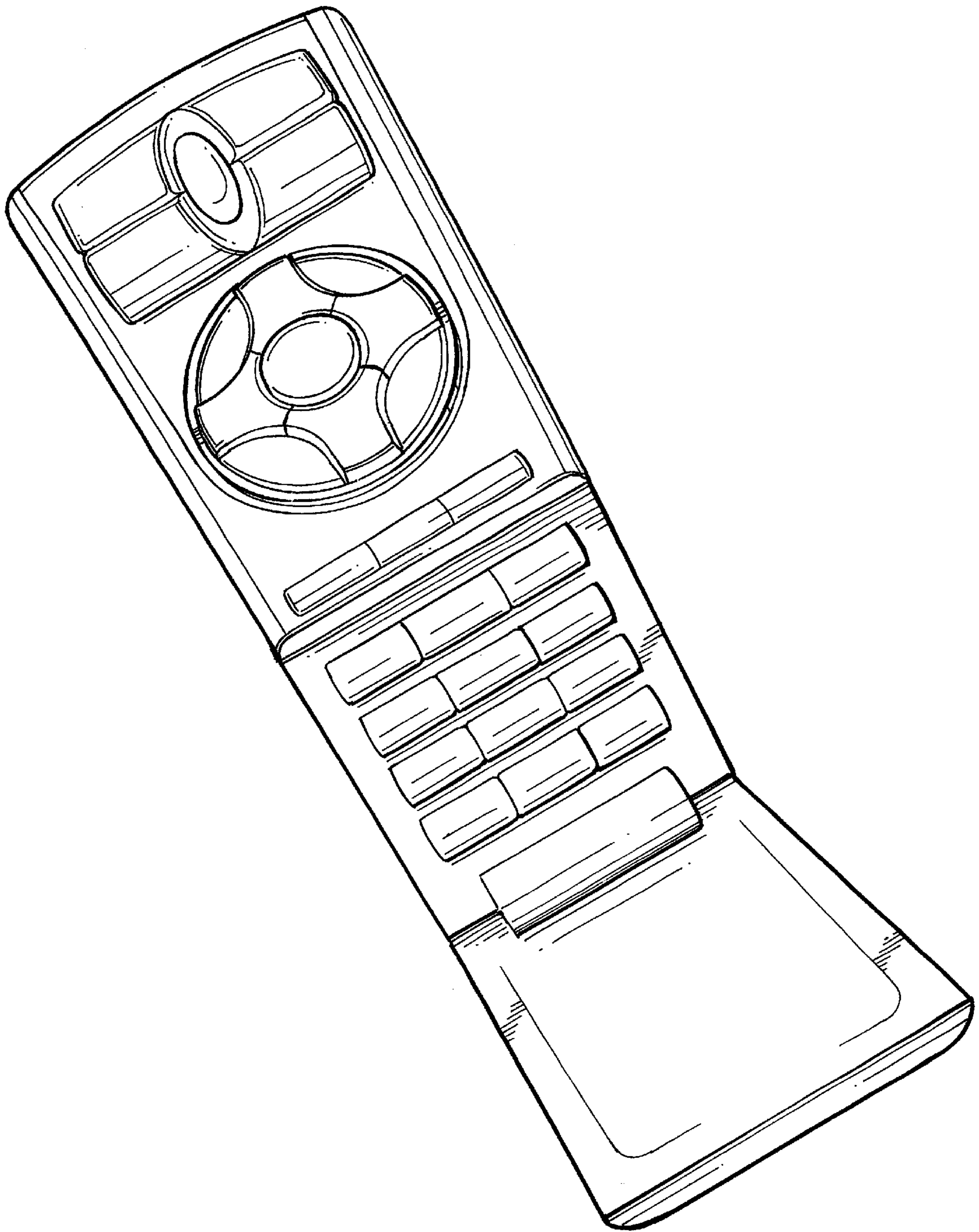


FIG. 5