



US00D465208S

(12) **United States Design Patent**
Lee et al.

(10) **Patent No.:** **US D465,208 S**

(45) **Date of Patent:** **** Nov. 5, 2002**

(54) **COMMUNICATIONS HEADSET**

(75) Inventors: **Barry Lee**, Wiltshire (GB); **Jeffrey T. Haller**, Brisbane, CA (US); **Fadhly Bey**, San Francisco, CA (US); **Fred Polito**, Santa Cruz, CA (US)

(73) Assignee: **Plantronics Inc.**, Santa Cruz, CA (US)

(**) Term: **14 Years**

(21) Appl. No.: **29/138,822**

(22) Filed: **Mar. 19, 2001**

(51) **LOC (7) Cl.** **14-01**

(52) **U.S. Cl.** **D14/206**

(58) **Field of Search** D14/188, 192,
D14/205-206, 223; 181/129-130; 379/430-433;
381/370, 376-381

(56) **References Cited**

U.S. PATENT DOCUMENTS

D344,730 S * 3/1994 Gattey et al. D14/206
5,469,505 A * 11/1995 Gattey et al. 379/430

D377,020 S * 12/1996 Bungardt et al. D14/205
D394,437 S * 5/1998 Landreth et al. D14/206
5,793,878 A * 8/1998 Chang 381/370
D410,921 S * 6/1999 Luchs et al. D14/206 X

* cited by examiner

Primary Examiner—Nanda Bondade

(74) *Attorney, Agent, or Firm*—Peter Hsieh

(57) **CLAIM**

The ornamental design for a communications headset, as shown and described.

DESCRIPTION

FIG. 1 is a front, top, left perspective view of a communications headset showing our ornamental design.

FIG. 2 is a front view of the communications headset.

FIG. 3 is a rear view of the communications headset.

FIG. 4 is a right view of the communications headset.

FIG. 5 is a left view of the communications headset.

FIG. 6 is a top view of the communications headset; and,

FIG. 7 is a bottom view of the communications headset.

1 Claim, 4 Drawing Sheets



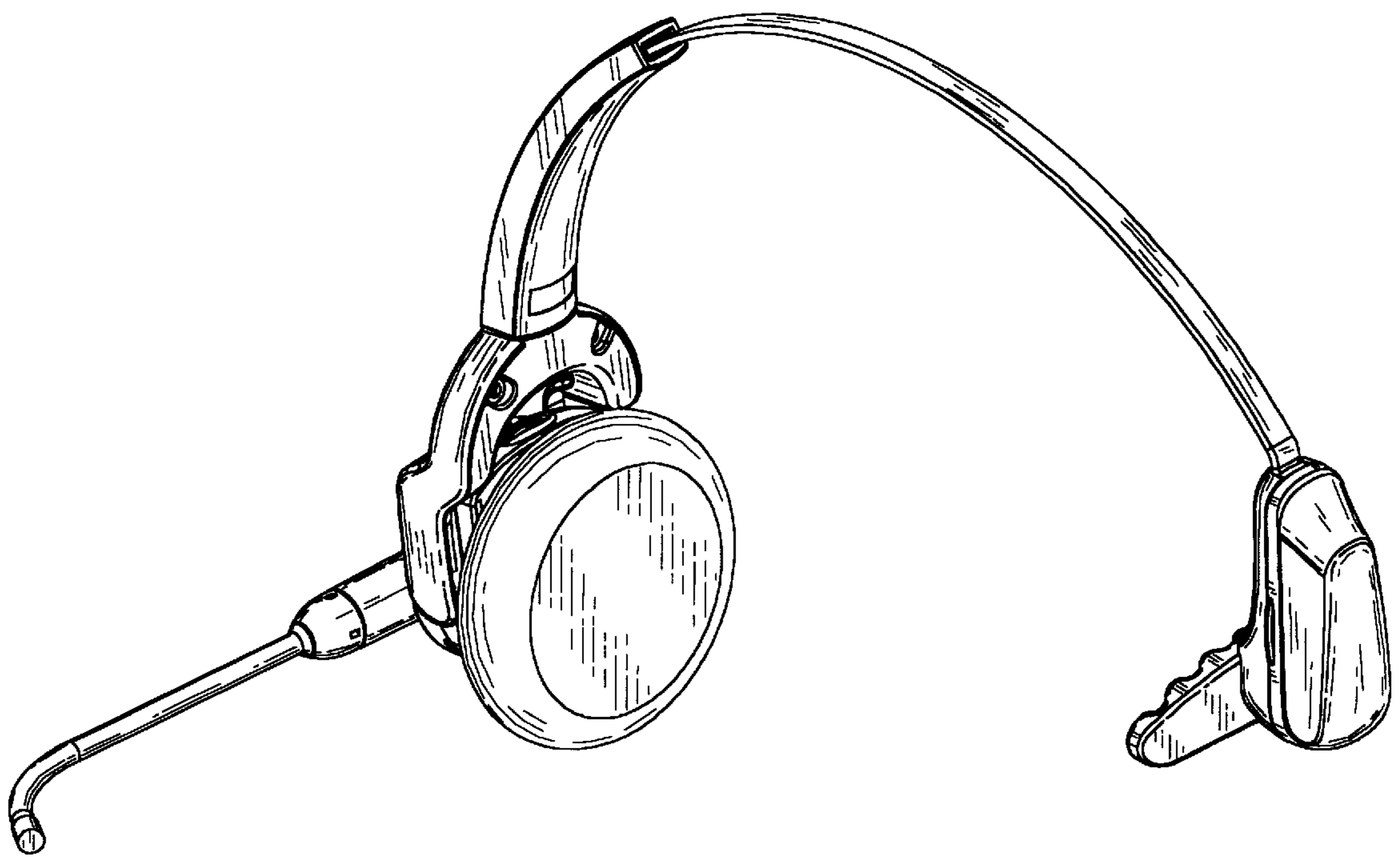


FIG. 1

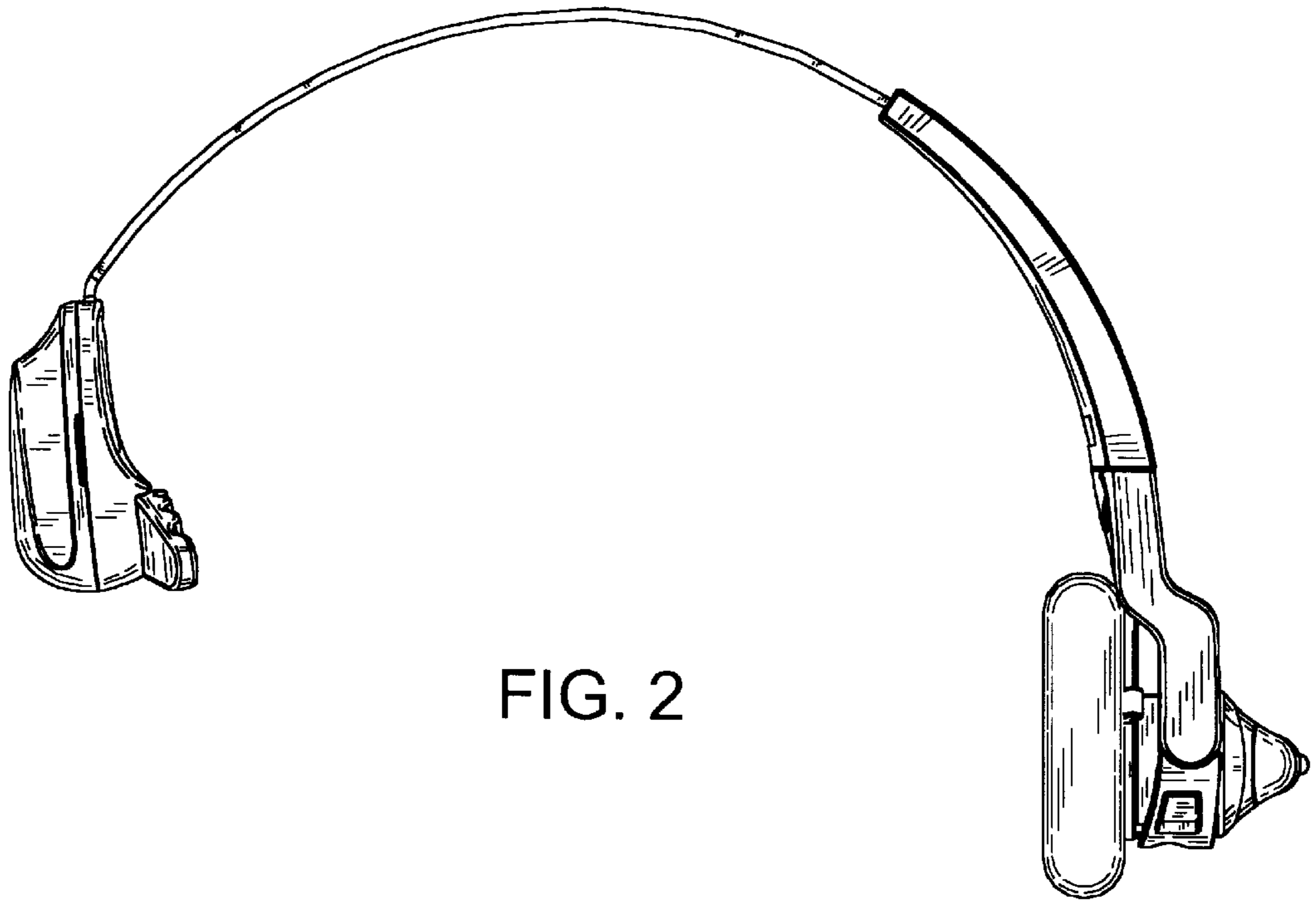


FIG. 2

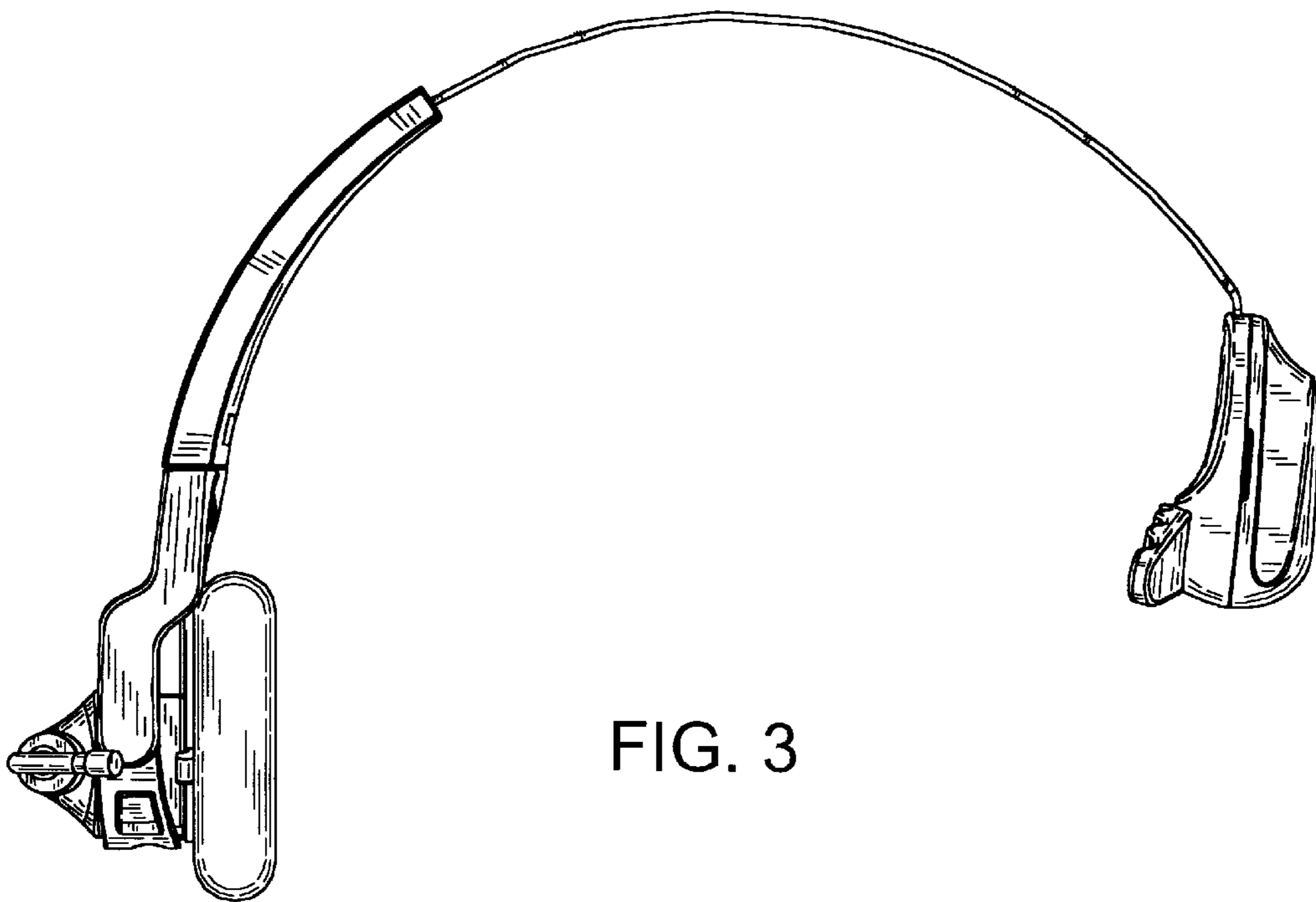


FIG. 3

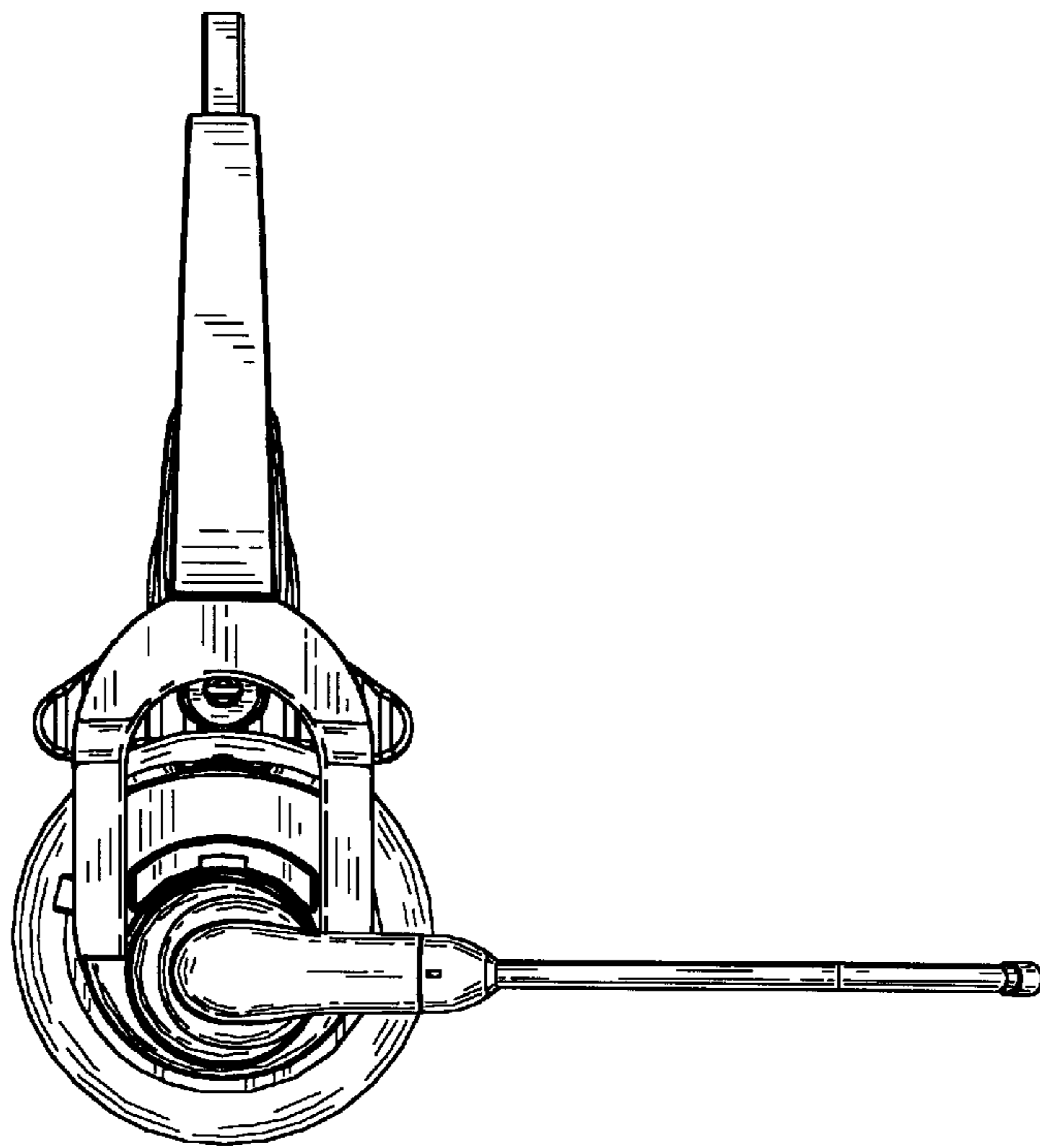


FIG. 4

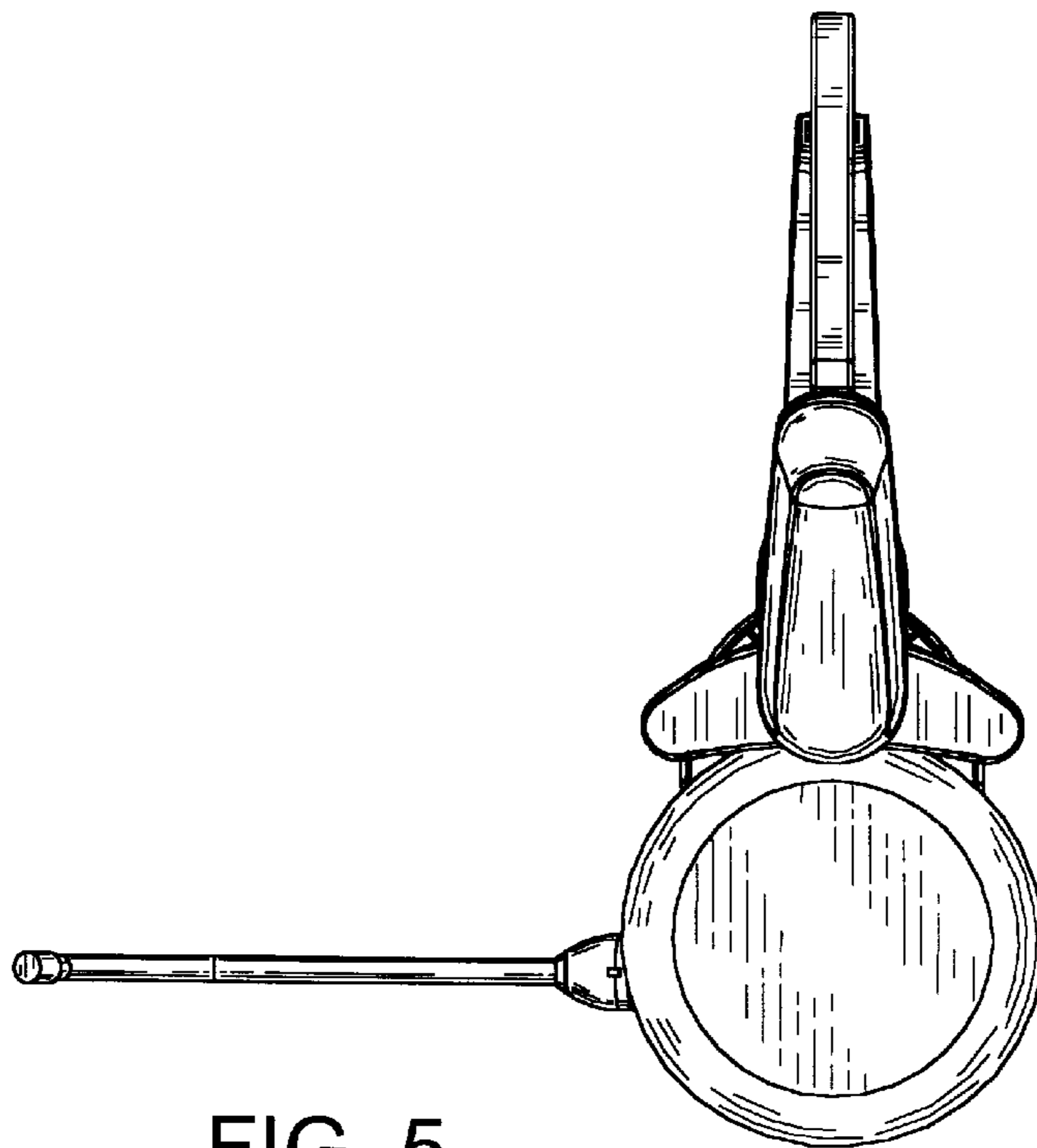


FIG. 5

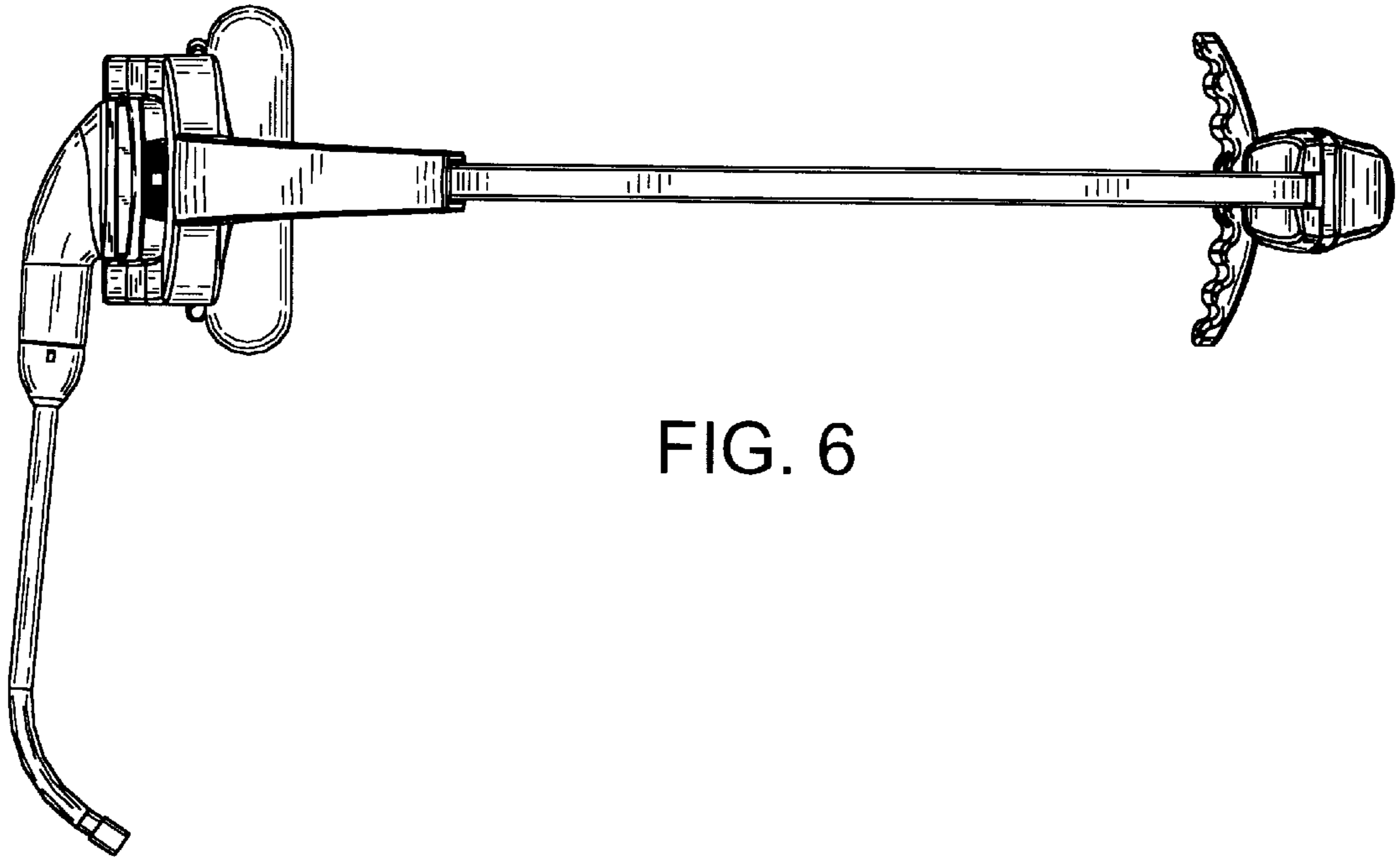


FIG. 6

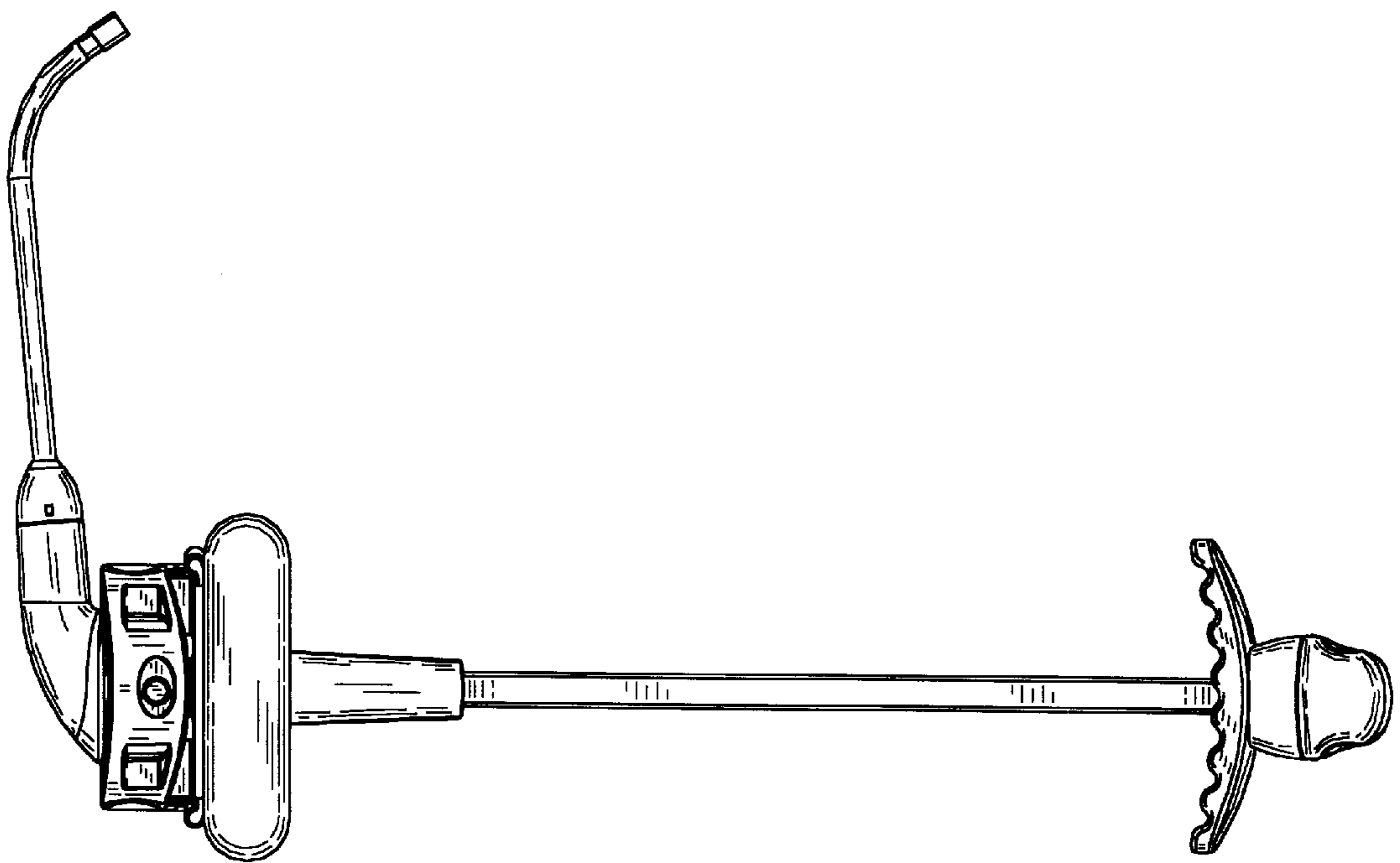


FIG. 7