



US00D465205S

(12) **United States Design Patent**  
**Orpilla et al.**

(10) **Patent No.:** **US D465,205 S**

(45) **Date of Patent:** **\*\* Nov. 5, 2002**

(54) **ELECTRONICS HOUSING ELEMENTS**

(75) Inventors: **Kris Orpilla**, San Francisco, CA (US);  
**Charles Curbbun**, La Costa, CA (US);  
**Kevin Simmons**, San Diego, CA (US);  
**Russell L. Machado**, San Diego, CA (US)

(73) Assignee: **Pulse Engineering**, San Diego, CA (US)

(\*\*) Term: **14 Years**

(21) Appl. No.: **29/141,570**

(22) Filed: **May 9, 2001**

(51) **LOC (7) Cl.** ..... **13-03**

(52) **U.S. Cl.** ..... **D13/154**

(58) **Field of Search** ..... D13/133, 146,  
D13/147, 154, 156; 174/52.2, 52.3, 53,  
60; 439/447, 449, 452, 455, 607, 608, 609,  
610, 676, 687, 696, 731

(56) **References Cited**

**U.S. PATENT DOCUMENTS**

5,106,306 A	4/1992	Ditzig	
D357,257 S	4/1995	Kuo	
D363,700 S	10/1995	Buongervino et al.	
5,687,213 A	11/1997	Larkin	
D411,175 S	* 6/1999	Doren et al. ....	D13/154
D432,092 S	* 10/2000	Stebbleton et al. ....	D13/156
D434,009 S	* 11/2000	Lee .....	D13/154
D436,927 S	1/2001	Hogan	
D443,859 S	* 6/2001	Hogan .....	D13/133
D448,347 S	9/2001	Zoiss et al.	
D451,472 S	* 12/2001	Suzuki .....	D13/133

**OTHER PUBLICATIONS**

Product literature obtained from the Dell website regarding 2WIRE PC Port HPNA 2.0 to USB 1.1 Adapter, including photograph (1 page), Undated.

Product literature obtained from the Dell website regarding 2WIRE DSL Filter, 2 Line In-Line DSL Filter, including photograph (2 pages), undated.

Product literature obtained from the Dell website regarding 2WIRE DSL Filter, 1 Line Wall Mount DSL Filter, including photograph (2 pages). undated.

Product literature obtained from TigerDirect.com regarding the Siemens 1001 USB 10/100 Network Adapter, including photograph (1 page) Jan. 24, 2002.

Product literature obtained from TigerDirect.com regarding the Siemens 9230 1-In-Line DSL Filter, including photograph (1 page). Nov. 28, 2001.

Product literature obtained from the website for Excelsus Technologies, Inc. regarding various high-performance phone filters, including photographs (3 pages). Jan. 24, 2002.

Product literature obtained from the website for Ace-Internet regarding DSL filters, including photographs (2 pages).

\* cited by examiner

*Primary Examiner*—Robert M. Spear

(74) *Attorney, Agent, or Firm*—Gazdzinski & Associates

(57) **CLAIM**

The ornamental design for an electronics housing elements, as shown and described.

**DESCRIPTION**

FIG. 1 is a top perspective view of a first embodiment an electronics housing, showing our new design;

FIG. 2 is a side view thereof;

FIG. 3 is a top plan view thereof;

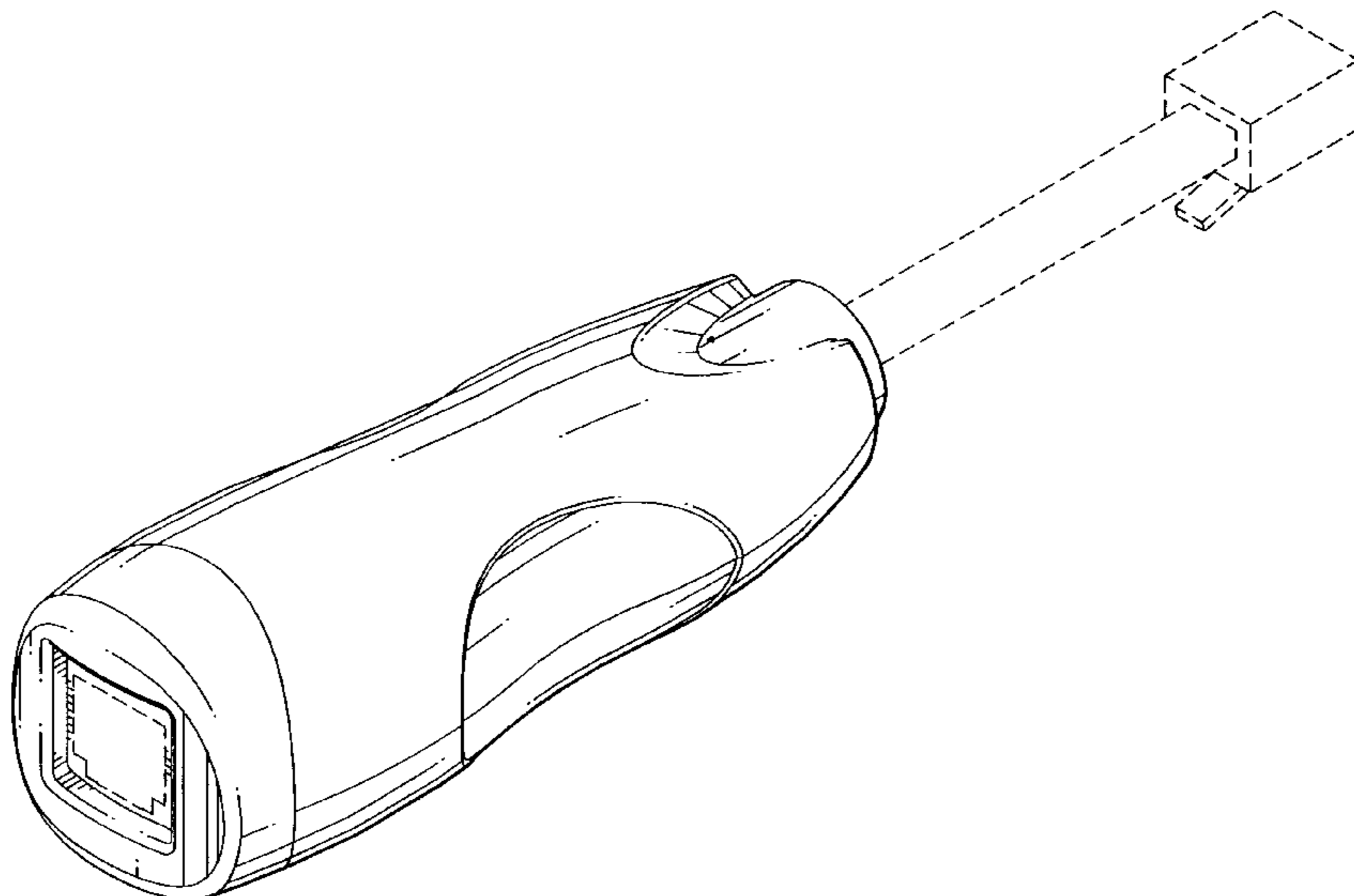
FIG. 4 is a bottom plan view thereof;

FIG. 5 is a front plan view thereof; and,

FIG. 6 is a rear plan view thereof.

The broken lines depict environmental structure and form no part of the claimed design.

**1 Claim, 3 Drawing Sheets**



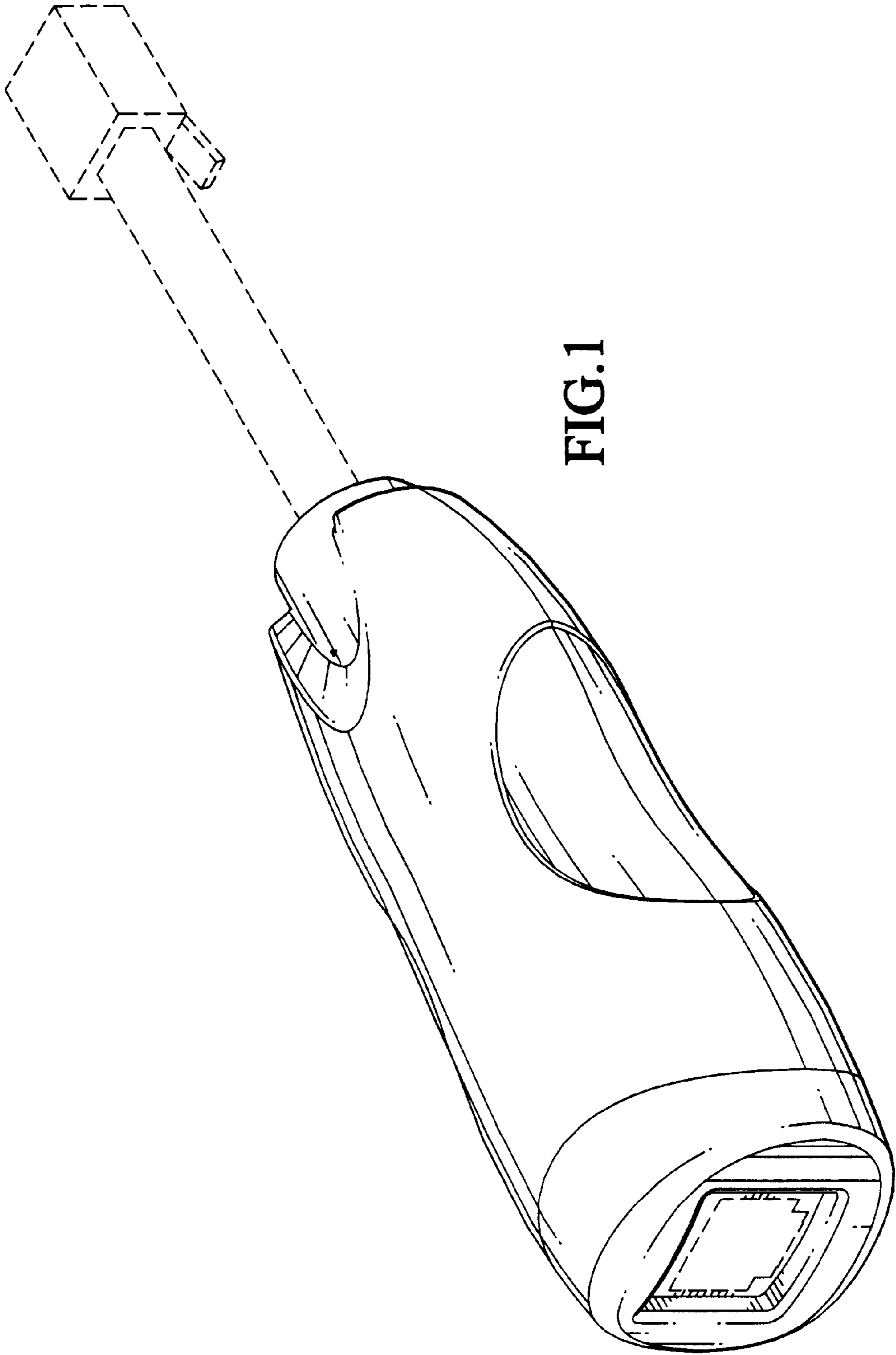


FIG.1

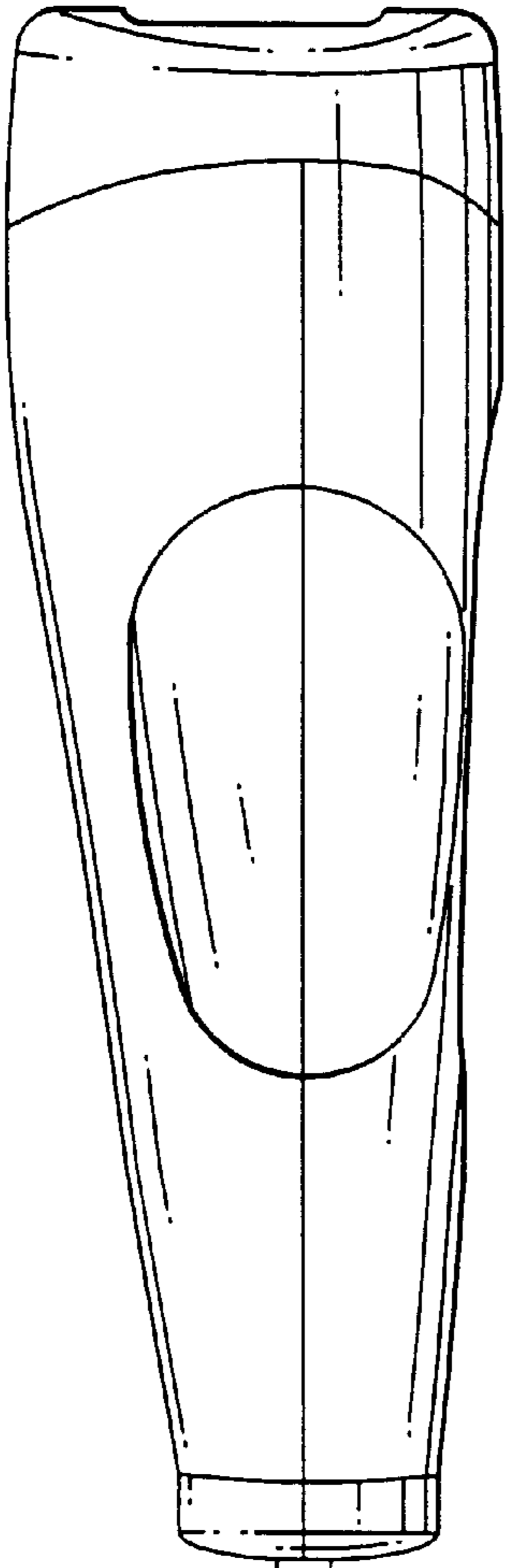


FIG. 2

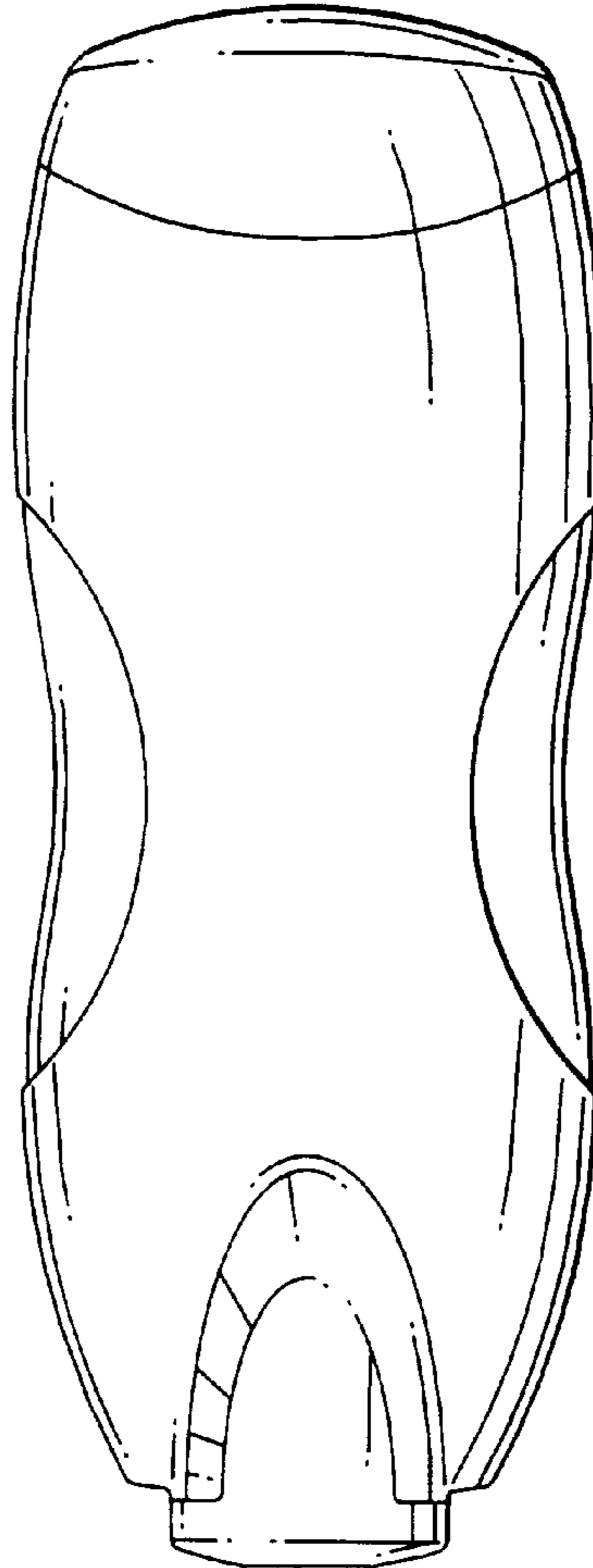
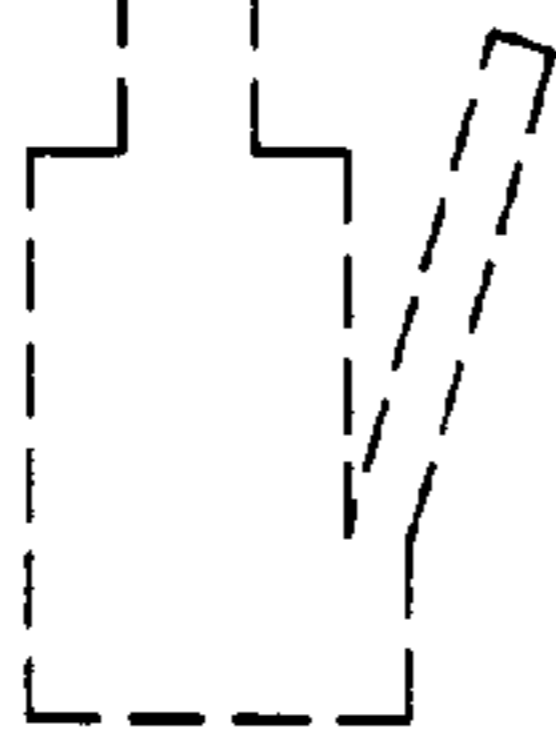


FIG. 3

