



US00D465202S

(12) **United States Design Patent**
Kubota

(10) **Patent No.:** **US D465,202 S**

(45) **Date of Patent:** **** Nov. 5, 2002**

(54) **ELECTRICAL CONNECTOR**

D434,386 S * 11/2000 Wu D13/147
6,347,960 B1 * 2/2002 Chen 439/607

(76) Inventor: **Yoshifumi Kubota**, c/o Japan Aviation
Electronics Industry, Limited, 21-2,
Dogenzaka 1-chome, Shibuya-ku, Tokyo
(JP)

* cited by examiner

Primary Examiner—Joel Sincavage
(74) *Attorney, Agent, or Firm*—Michael Best & Friedrich
LLC

(**) Term: **14 Years**

(21) Appl. No.: **29/141,604**

(22) Filed: **May 9, 2001**

(57) **CLAIM**

An ornamental design for an electrical connector, as shown
and described.

(30) **Foreign Application Priority Data**

Nov. 30, 2000 (JP) 2000-037985

DESCRIPTION

(51) **LOC (7) Cl.** **13-03**

(52) **U.S. Cl.** **D13/147**

(58) **Field of Search** D13/147; 439/607,
439/609, 497, 567

FIG. 1 is a front, top, and right side perspective view of an
electrical connector;
FIG. 2 is a front elevational view thereof;
FIG. 3 is a rear elevational view thereof;
FIG. 4 is a right side elevational view thereof;
FIG. 5 is a top plan view thereof;
FIG. 6 is a bottom plan view thereof; and,
FIG. 7 is a sectional view thereof along a line 7—7 in FIG.
2.

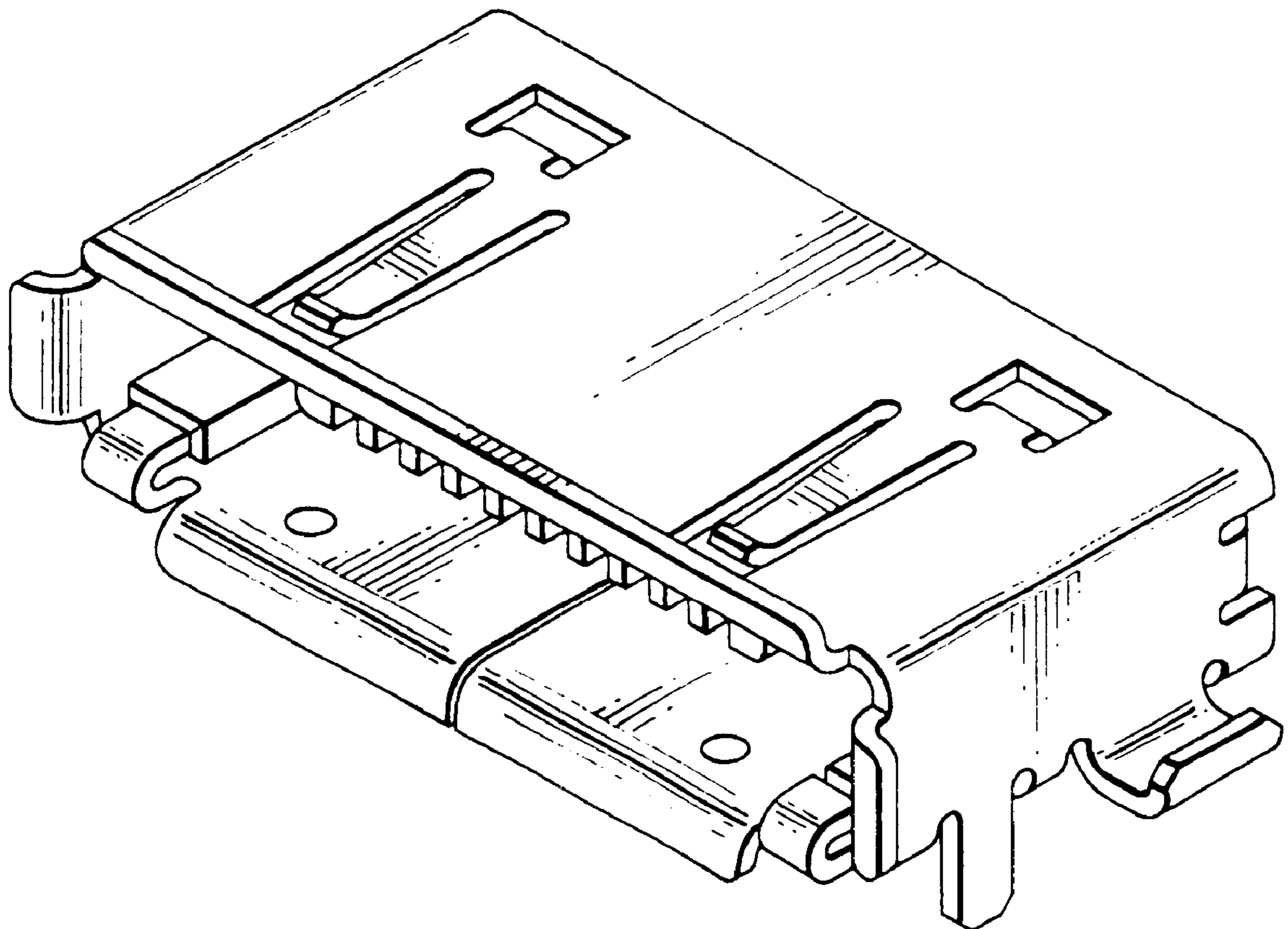
(56) **References Cited**

U.S. PATENT DOCUMENTS

D351,136 S * 10/1994 Kurata D13/147
D408,788 S * 4/1999 Homma D13/147
D410,896 S * 6/1999 Yotsutani et al. D13/147
D416,863 S * 11/1999 Sato et al. D13/147
D422,562 S * 4/2000 Huang D13/147

A left side elevational view of the electrical connector is
omitted because it is presented symmetrical to the right side
elevational view of FIG. 4.

1 Claim, 3 Drawing Sheets



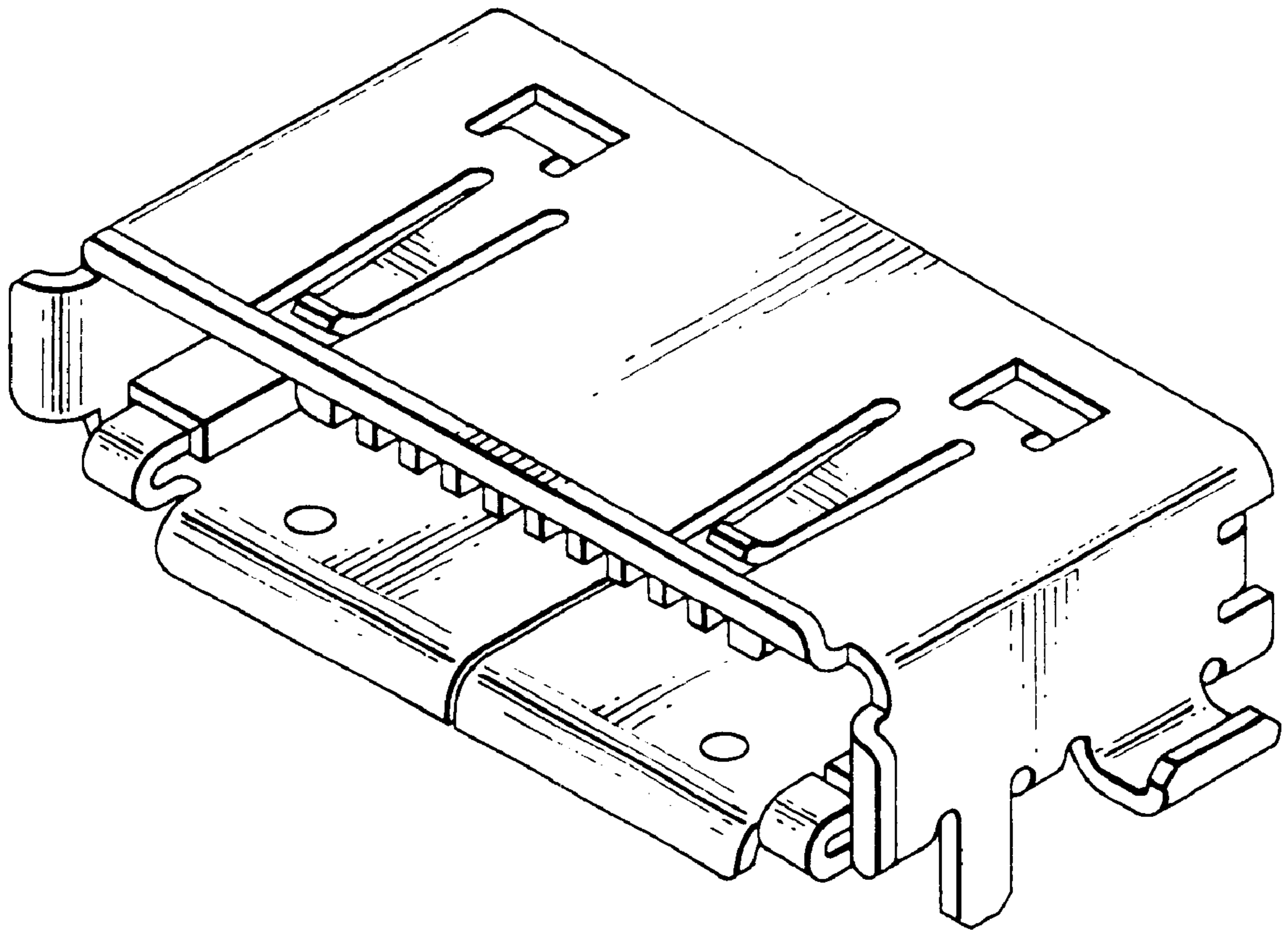


FIG. 1

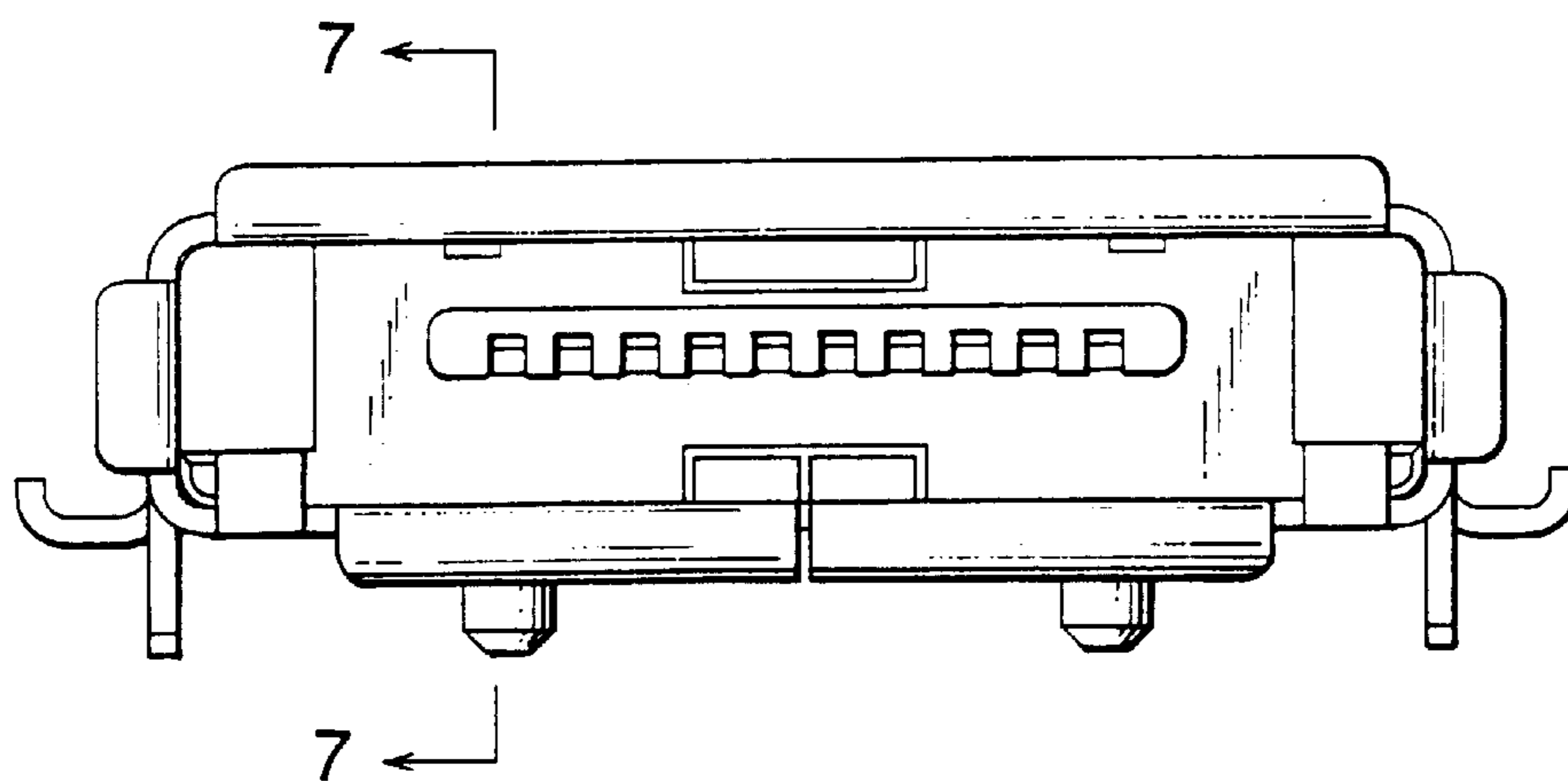


FIG. 2

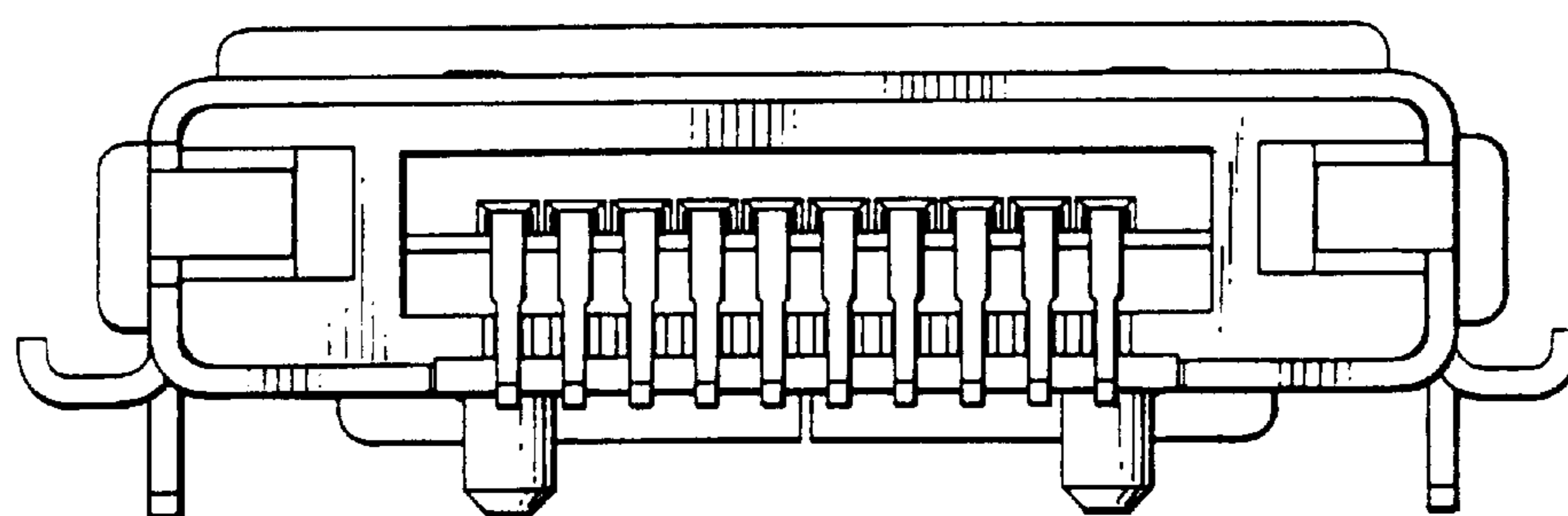


FIG. 3

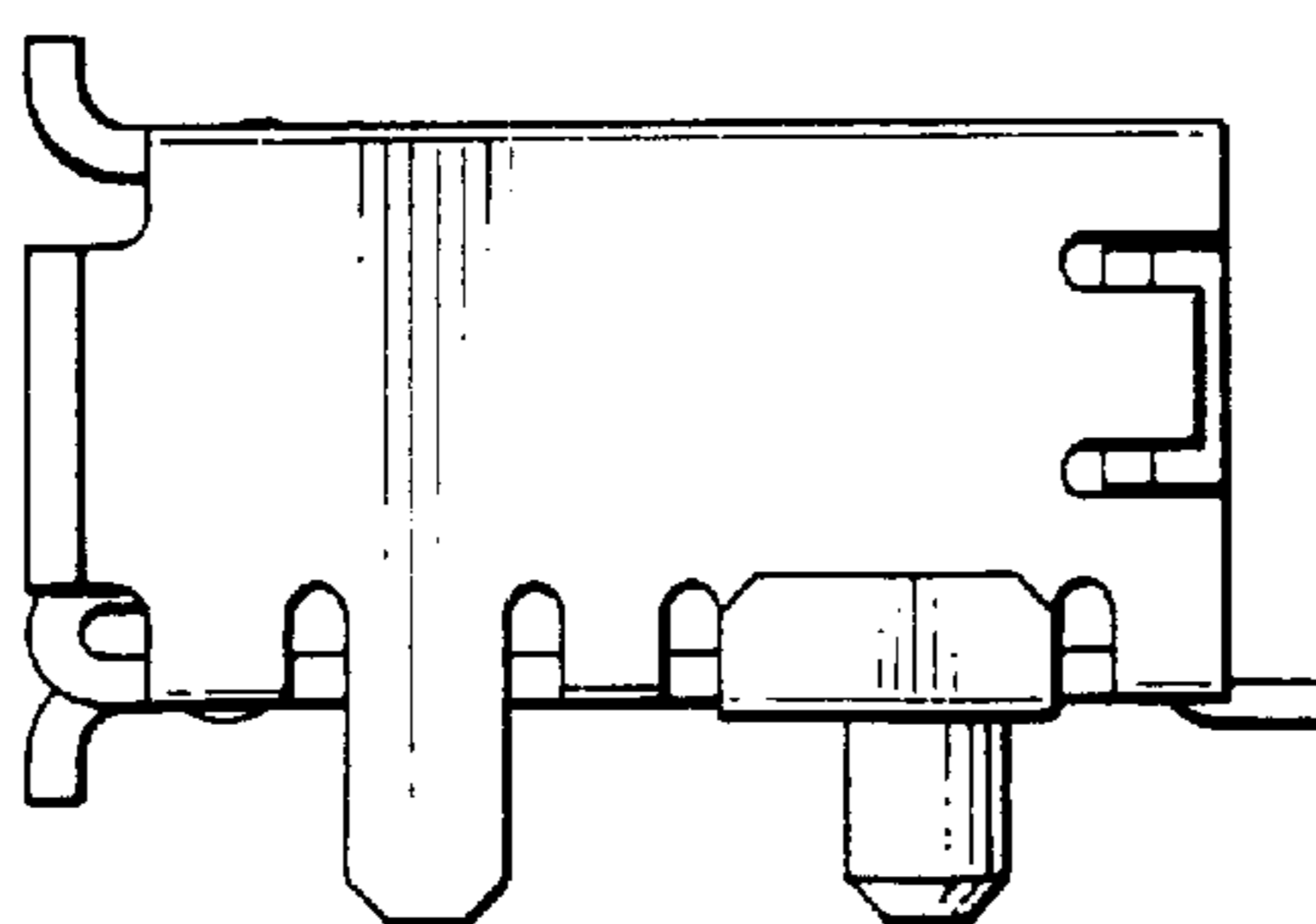


FIG. 4

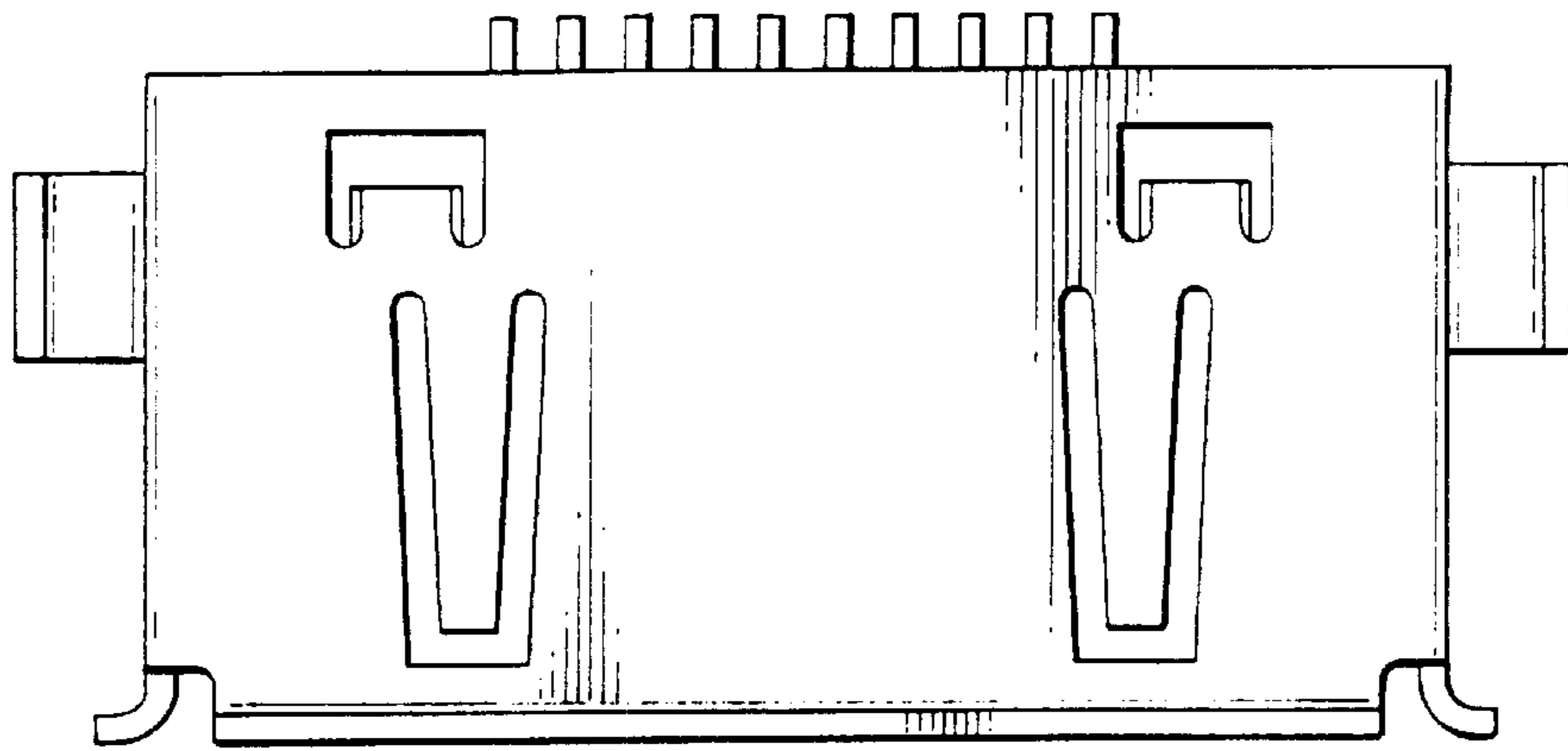


FIG. 5

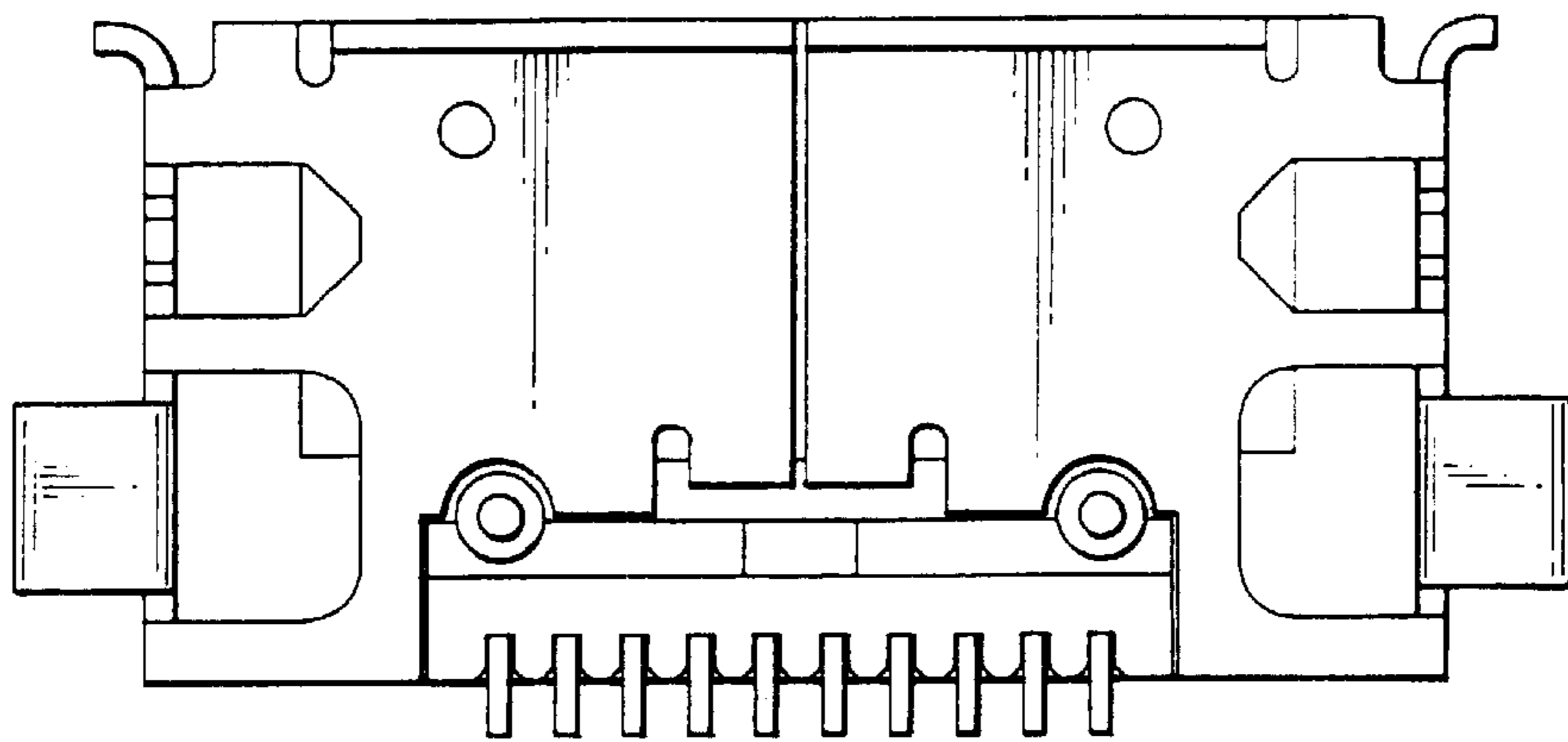


FIG. 6

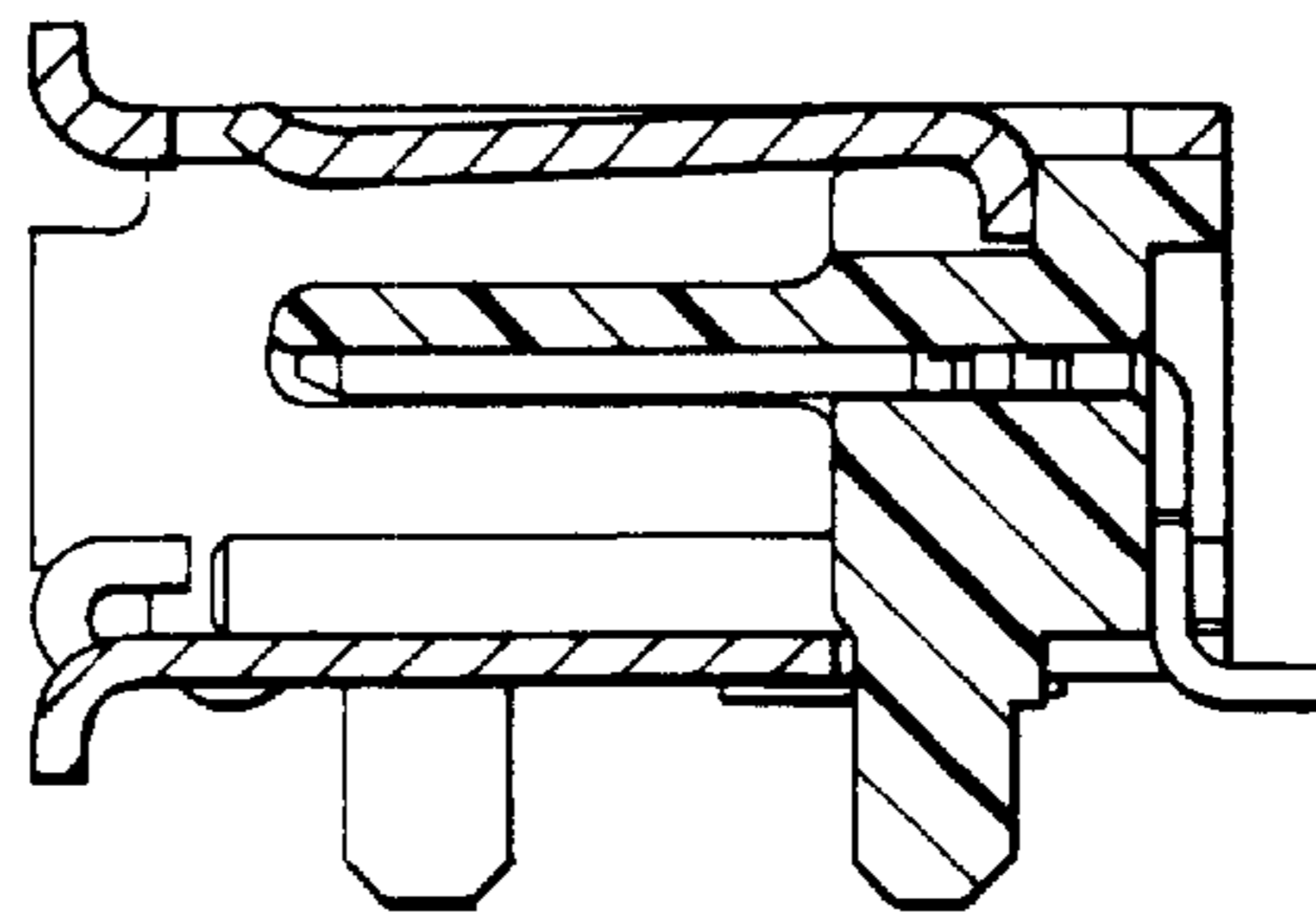


FIG. 7