



US00D465198S

(12) **United States Design Patent**
Vieno et al.

(10) **Patent No.:** **US D465,198 S**

(45) **Date of Patent:** **** Nov. 5, 2002**

(54) **POWER ADAPTER**

(75) Inventors: **Clint Vieno**, Londonderry, NH (US);
Prasad Rao, Lowell, MA (US);
William R. Manning, Littleton, MA
(US); **Arthur J. Blake, Jr.**, Leominster,
MA (US)

(73) Assignee: **American Power Conversion**, West
Kingston, RI (US)

(**) Term: **14 Years**

(21) Appl. No.: **29/133,881**

(22) Filed: **Dec. 8, 2000**

(51) **LOC (7) Cl.** **13-02**

(52) **U.S. Cl.** **D13/110**

(58) **Field of Search** D13/110, 107;
320/107, 111, 112; 363/146; 307/150, 151;
439/956

(56) **References Cited**

U.S. PATENT DOCUMENTS

| | | | | | | |
|-----------|---|---|---------|----------------|-------|---------|
| 5,019,767 | A | * | 5/1991 | Shirai et al. | | 320/112 |
| D338,653 | S | * | 8/1993 | Morgan et al. | | D13/110 |
| D367,257 | S | * | 2/1996 | Buelow et al. | | D13/110 |
| 5,494,449 | A | * | 2/1996 | Chioo | | 439/761 |
| D374,655 | S | * | 10/1996 | Carl et al. | | D13/110 |
| D375,483 | S | * | 11/1996 | Tashiro | | D13/110 |
| D379,346 | S | * | 5/1997 | Mieki | | D13/107 |
| D422,999 | S | * | 4/2000 | Overton et al. | | D14/137 |

* cited by examiner

Primary Examiner—Joel Sincavage

(74) *Attorney, Agent, or Firm*—Mintz, Levin, Cohn, Ferris,
Glovsky and Popeo, PC

(57) **CLAIM**

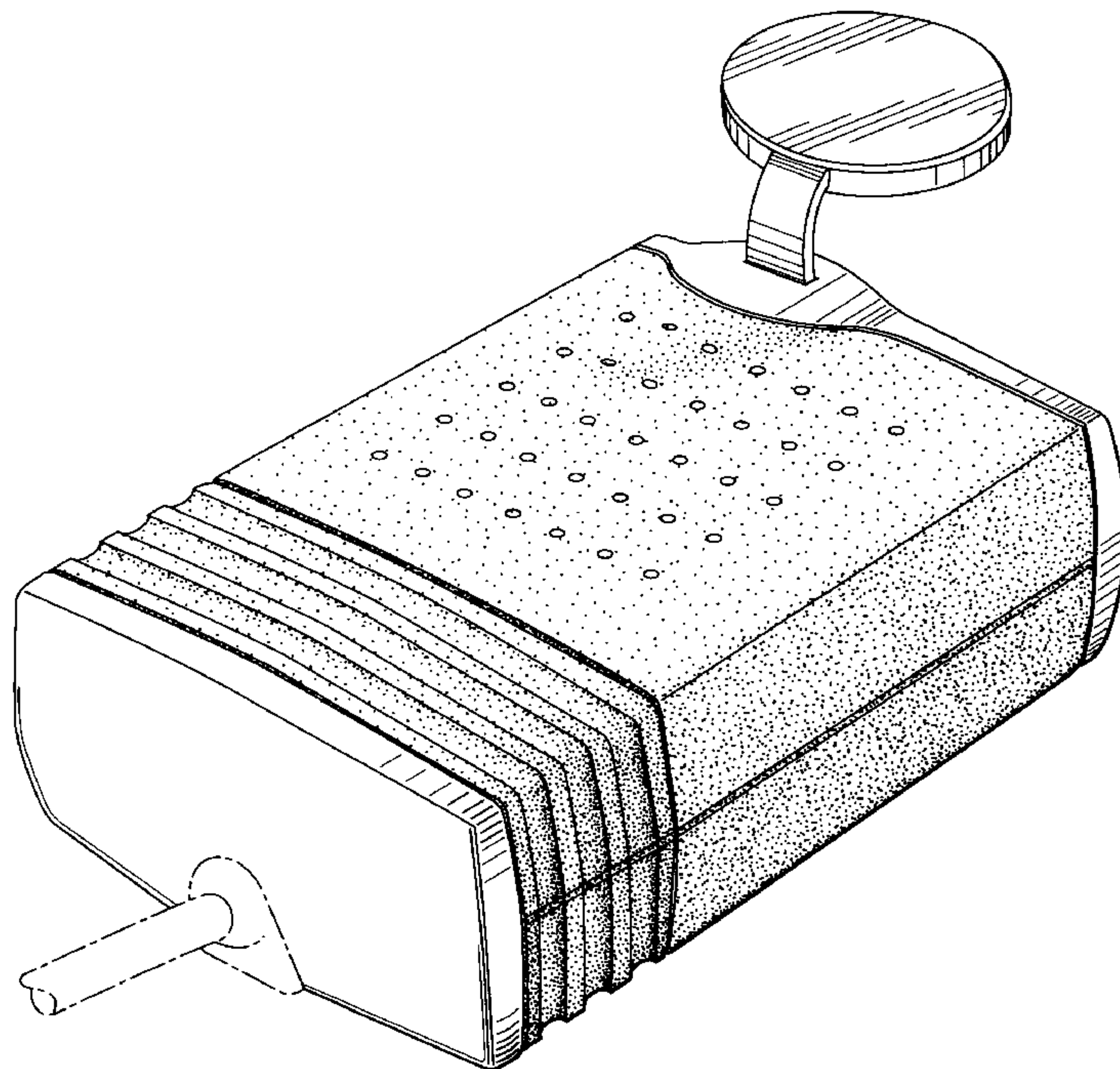
The ornamental design for a power adapter, as shown and
described.

DESCRIPTION

FIG. 1 is a perspective view showing our new design;
FIG. 2 is a top plan view thereof;
FIG. 3 is a bottom plan view thereof;
FIG. 4 is a right side elevational view thereof;
FIG. 5 is a left side elevational view thereof;
FIG. 6 is a back end view thereof;
FIG. 7 is a front end view thereof;
FIG. 8 is a perspective view showing a second embodiment
of our new design;
FIG. 9 is a top plan view thereof;
FIG. 10 is a bottom plan view thereof;
FIG. 11 is a right side elevational view thereof;
FIG. 12 is a left side elevational view thereof;
FIG. 13 is a back end view thereof; and,
FIG. 14 is a front end view thereof.

The broken lines shown in FIGS. 1-7 are included for the
purpose of illustrating portions of the power adapter that
form no part of the first embodiment. The broken lines
shown in FIGS. 8-14 are include for the purpose of illus-
trating portions of the power adapter that form no part of the
second embodiment.

1 Claim, 10 Drawing Sheets



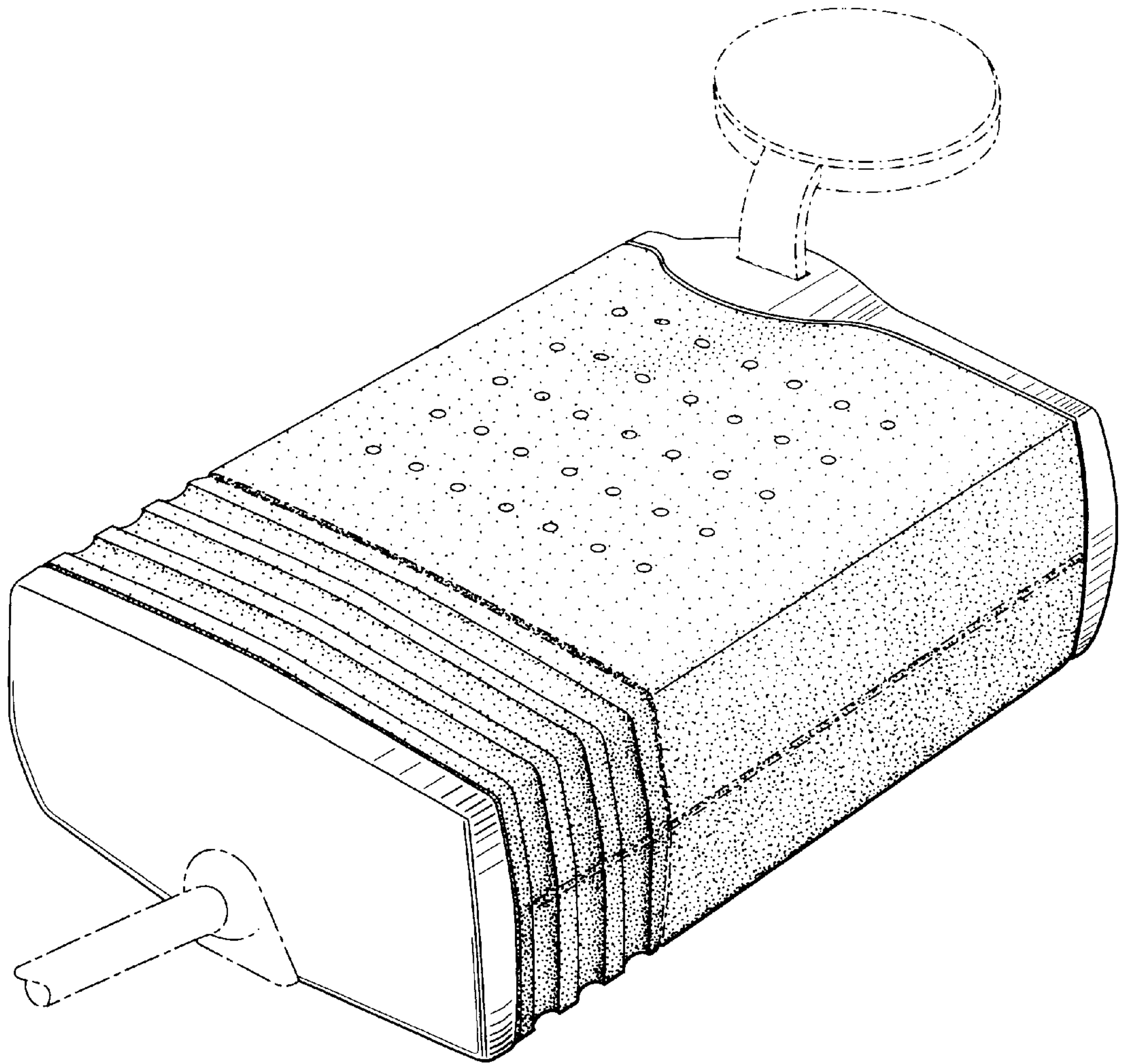


Fig. 1

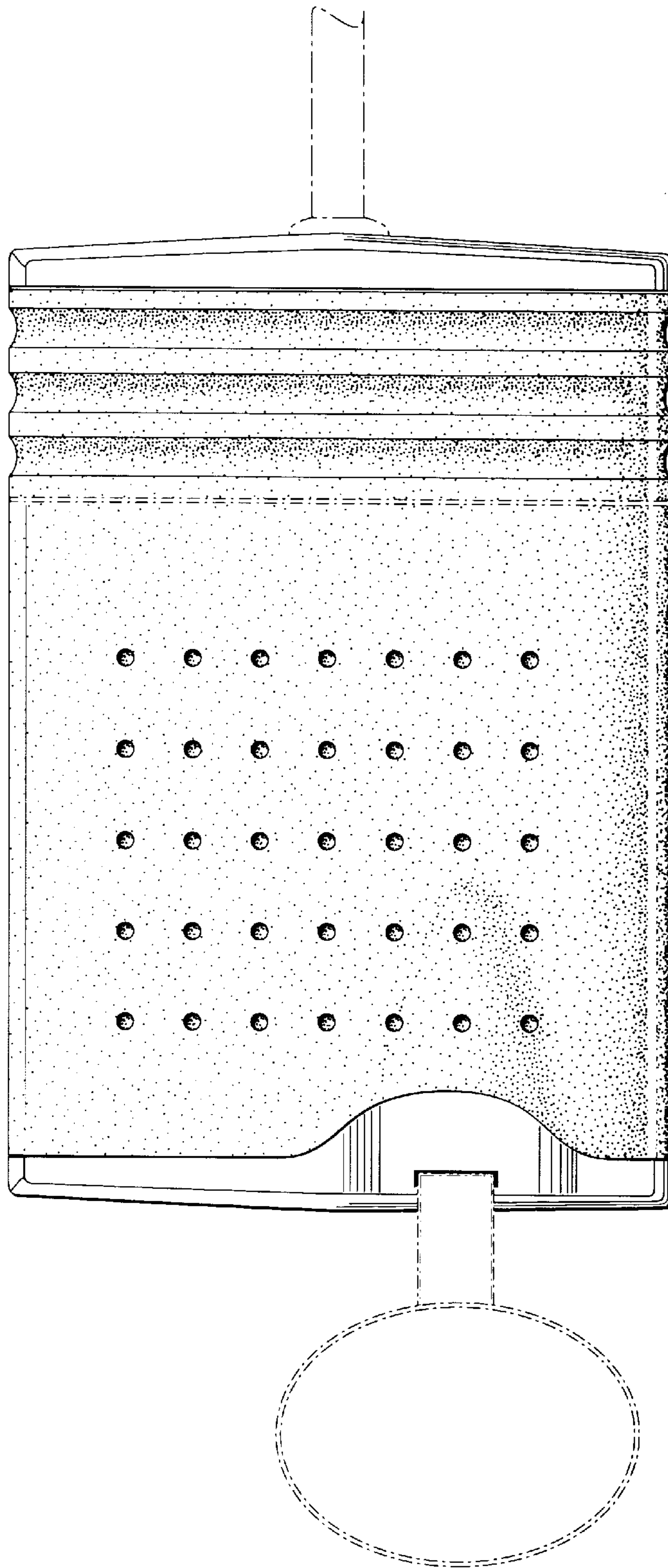


Fig. 2

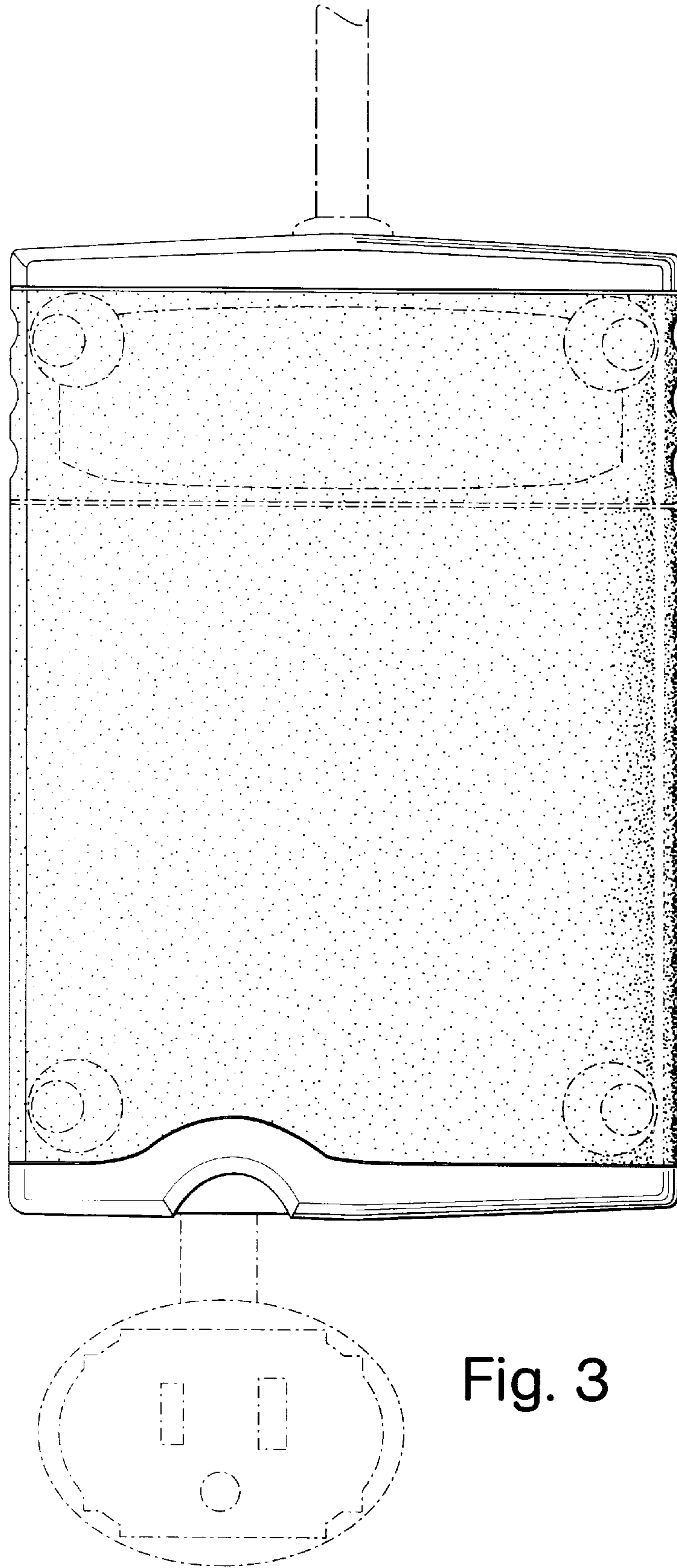


Fig. 3

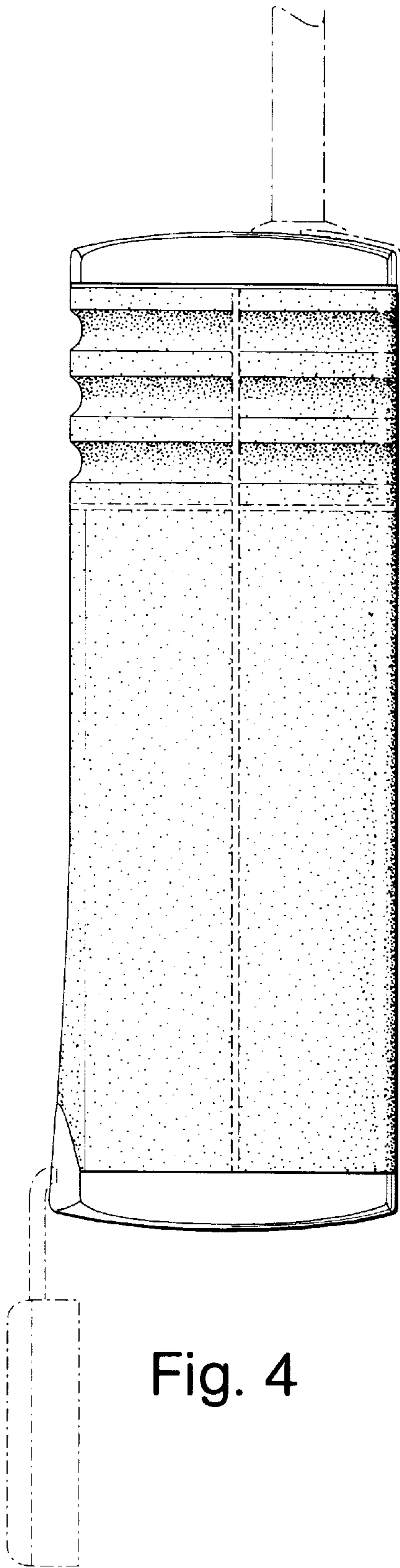


Fig. 4

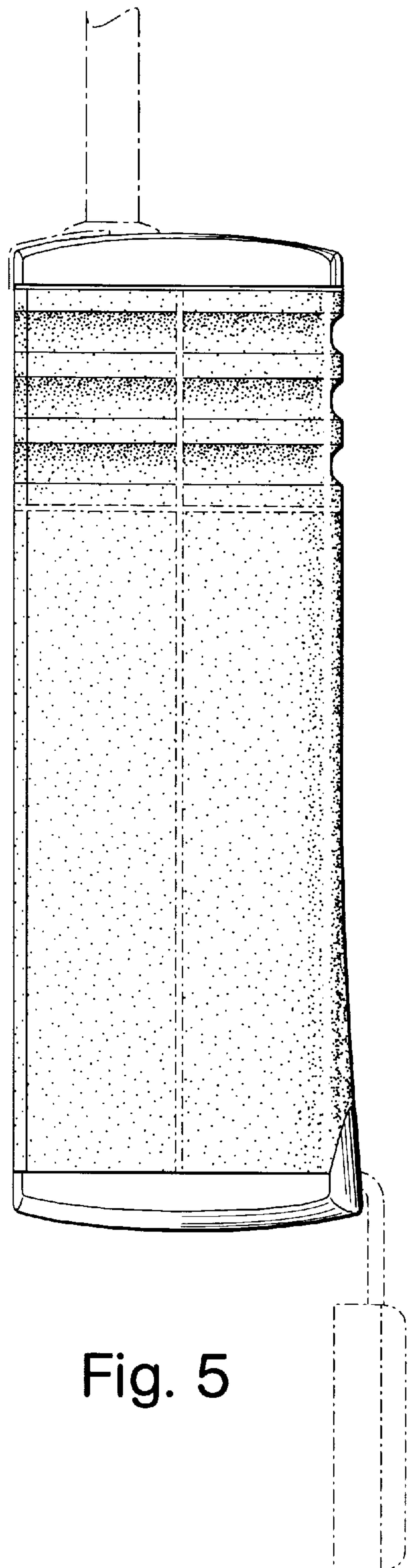


Fig. 5

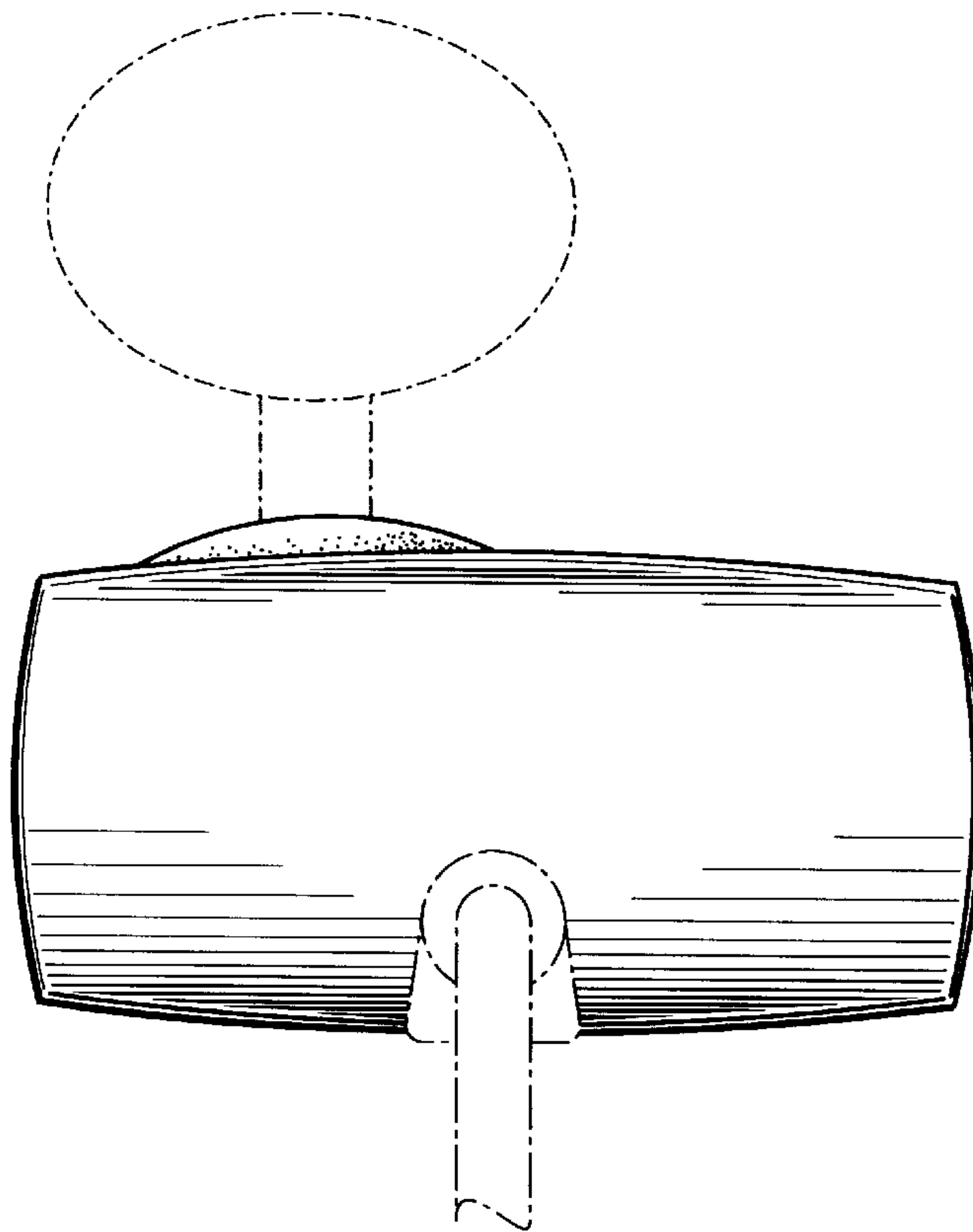


Fig. 6

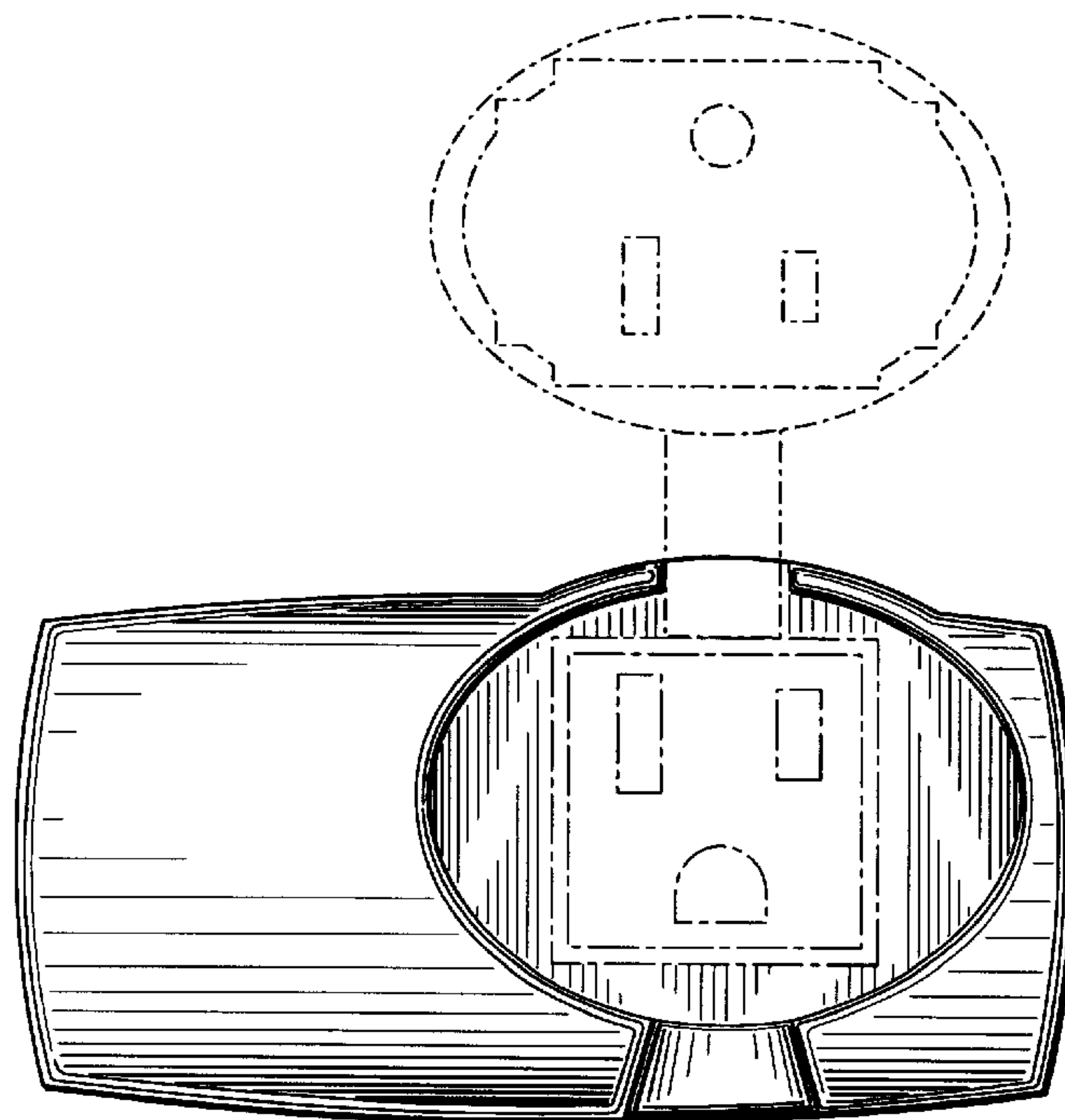


Fig. 7

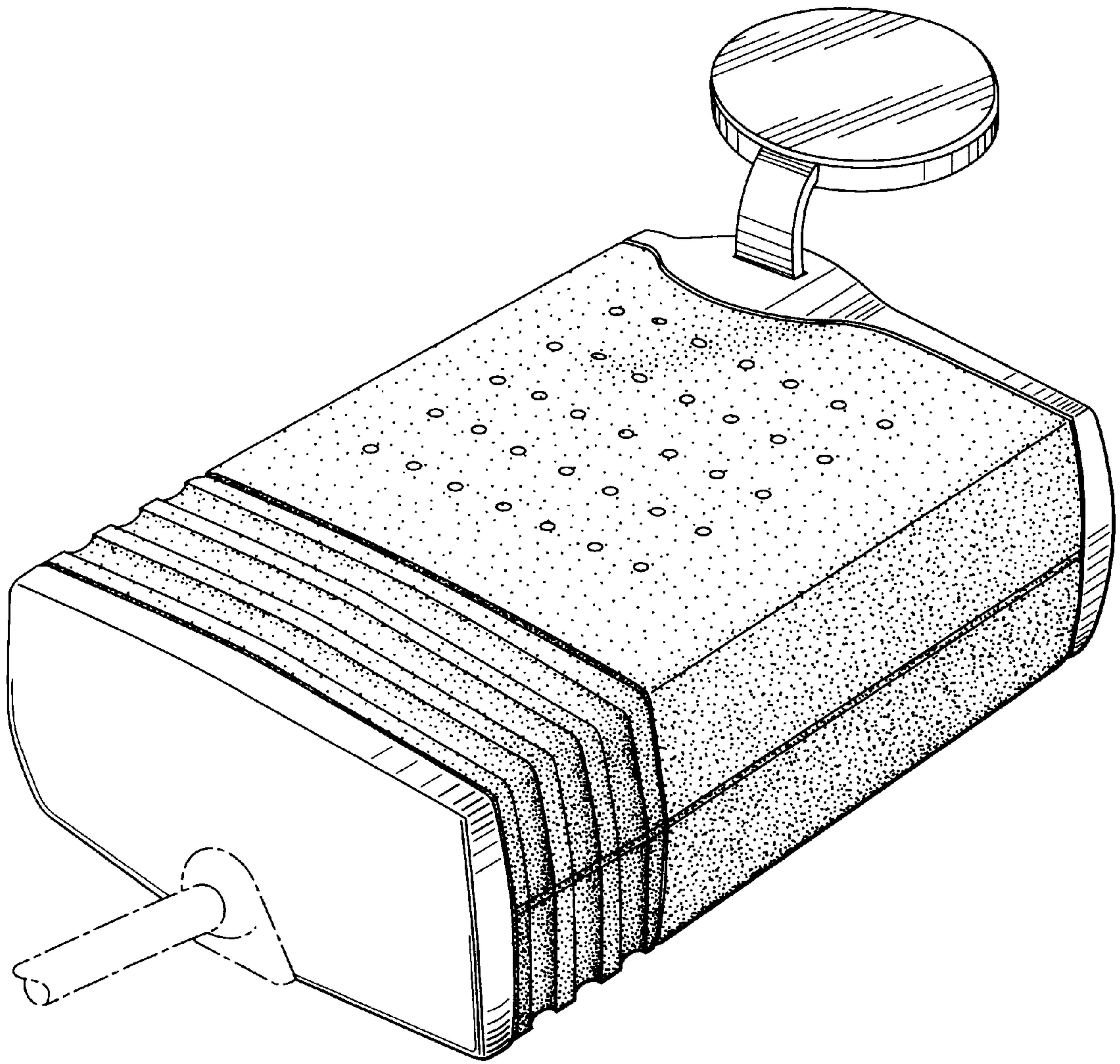


Fig. 8

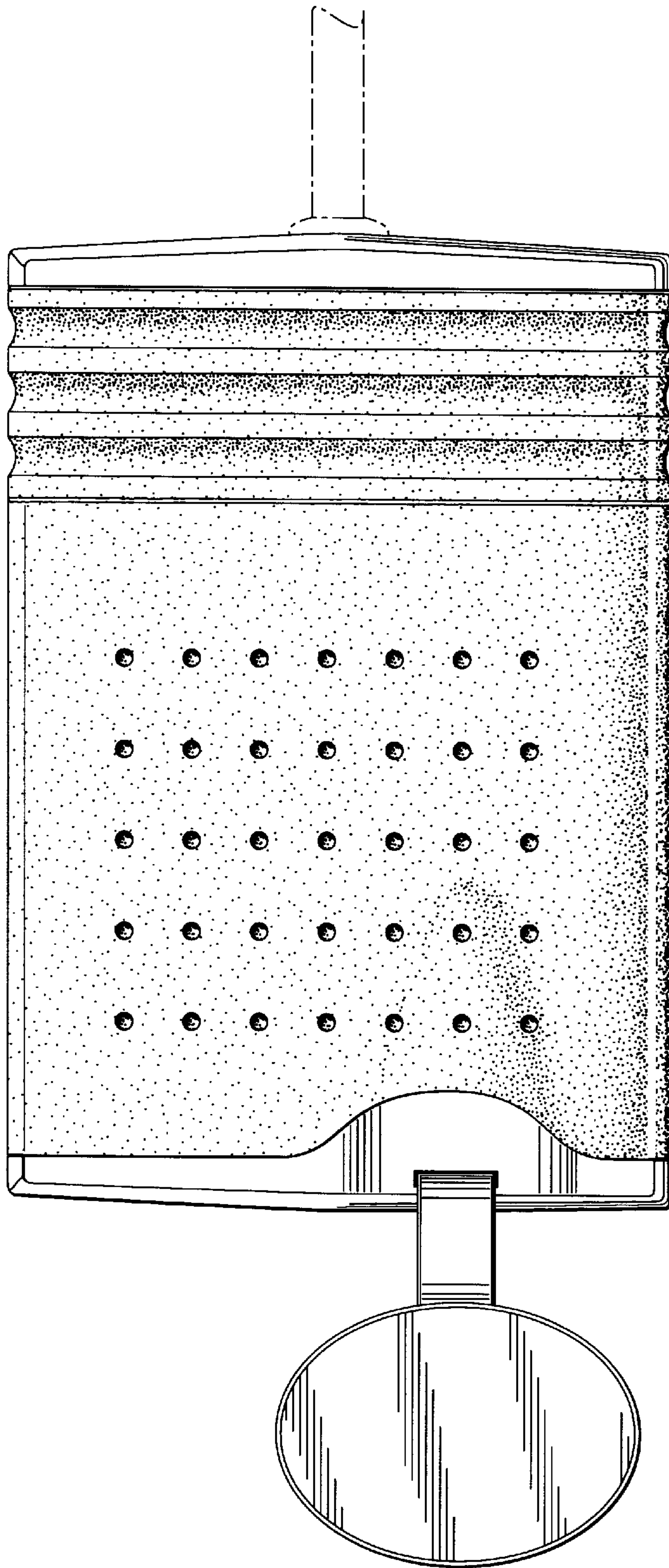


Fig. 9

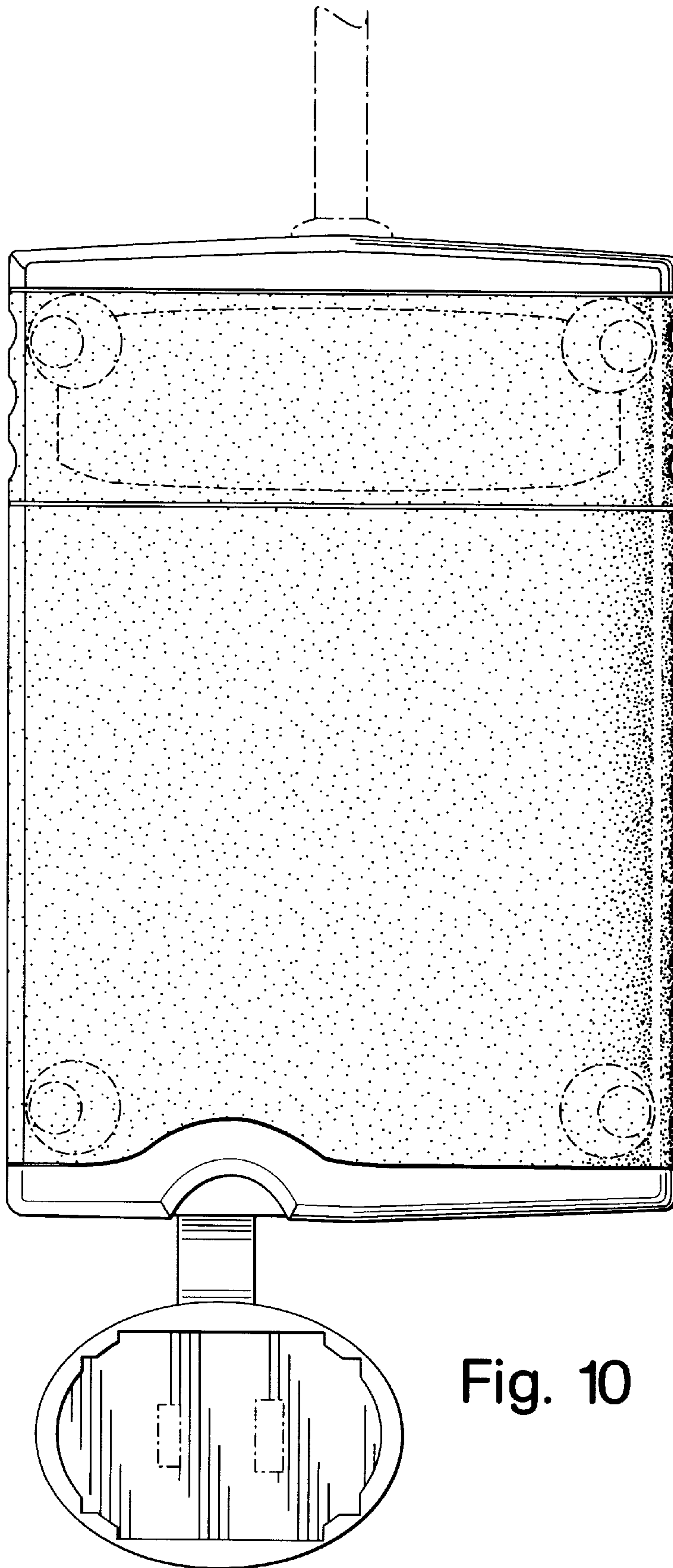


Fig. 10

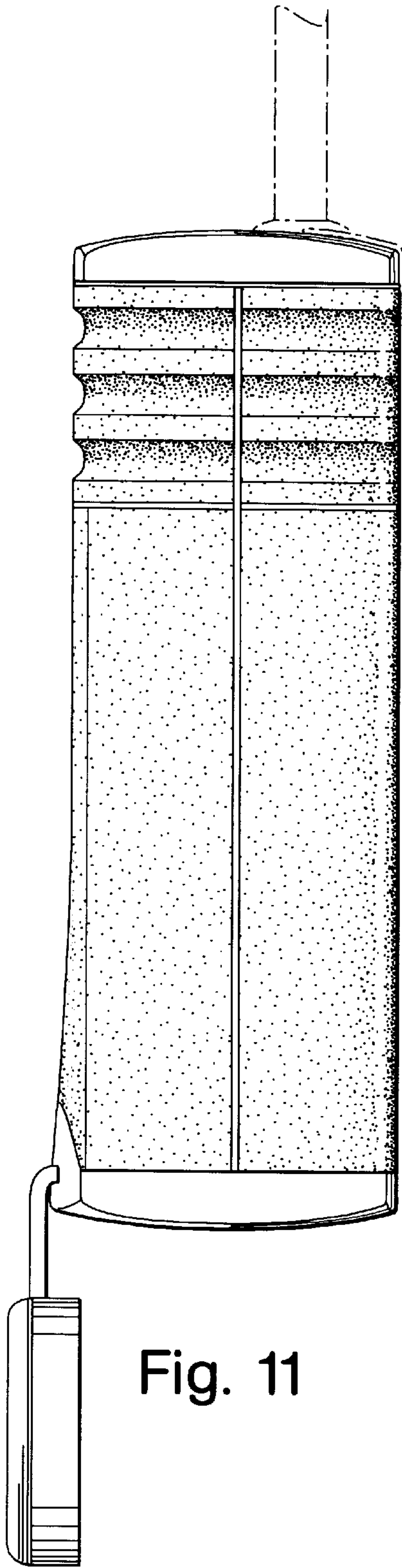


Fig. 11

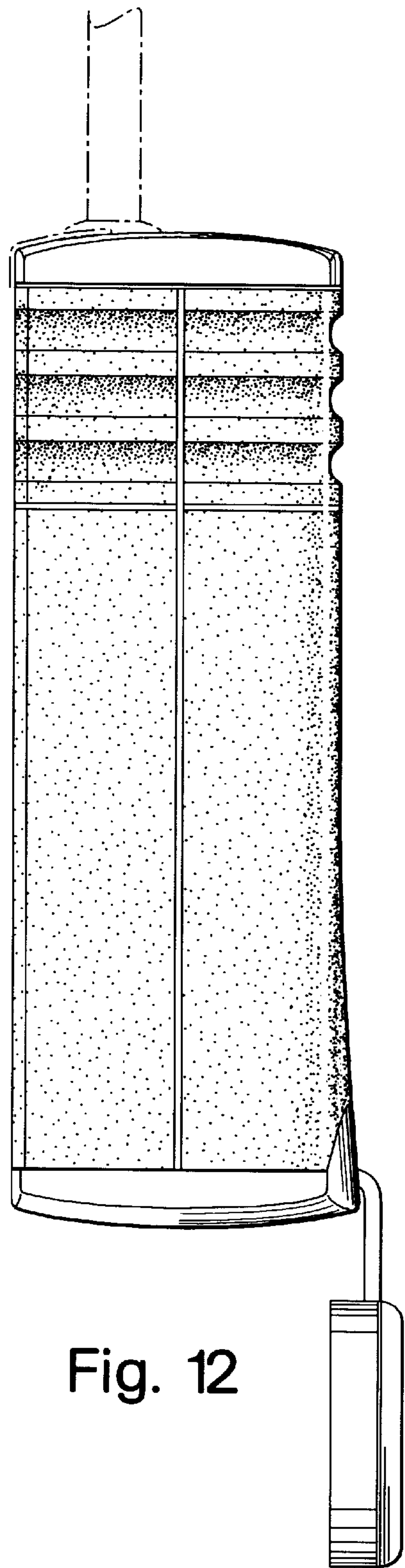


Fig. 12

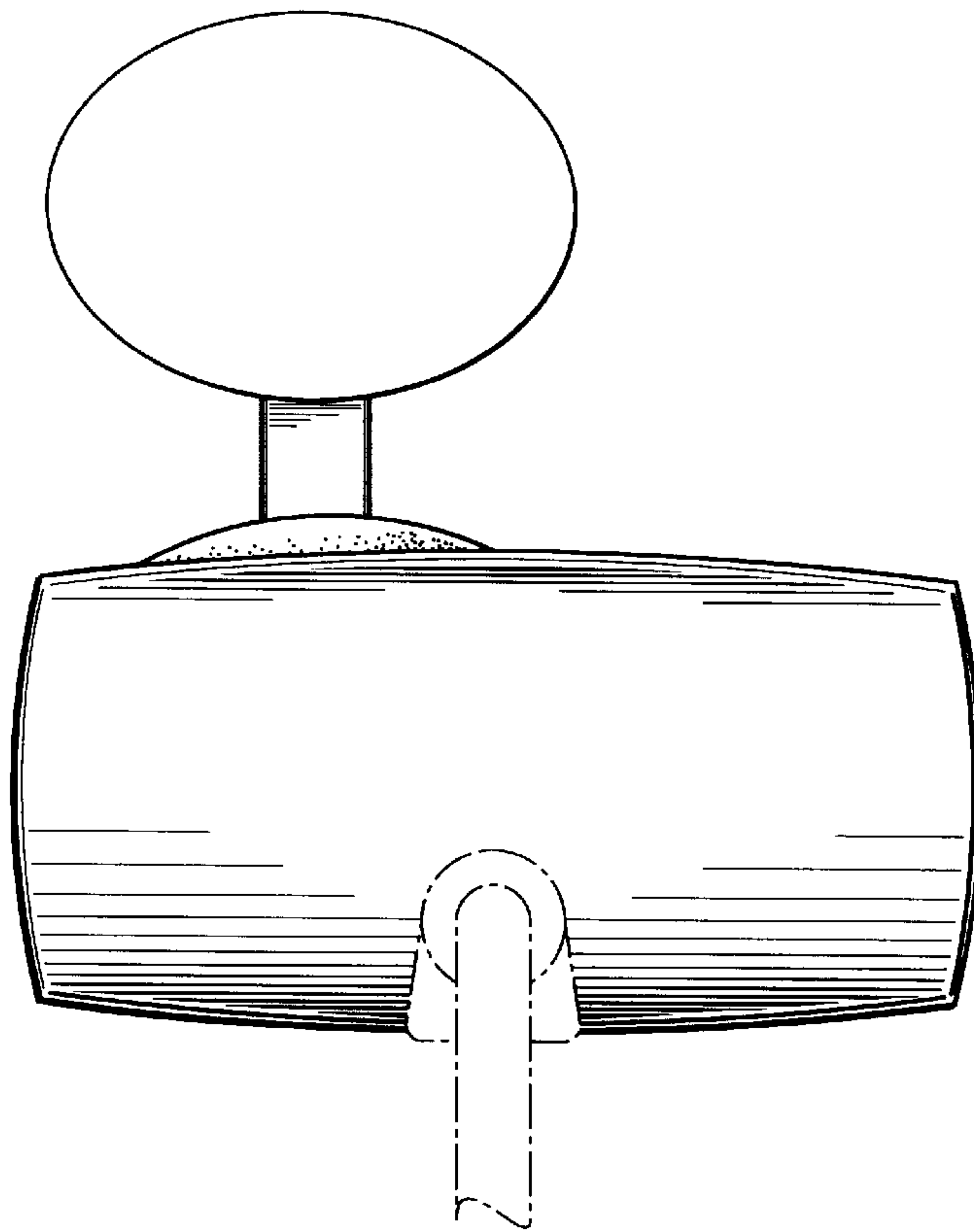


Fig. 13

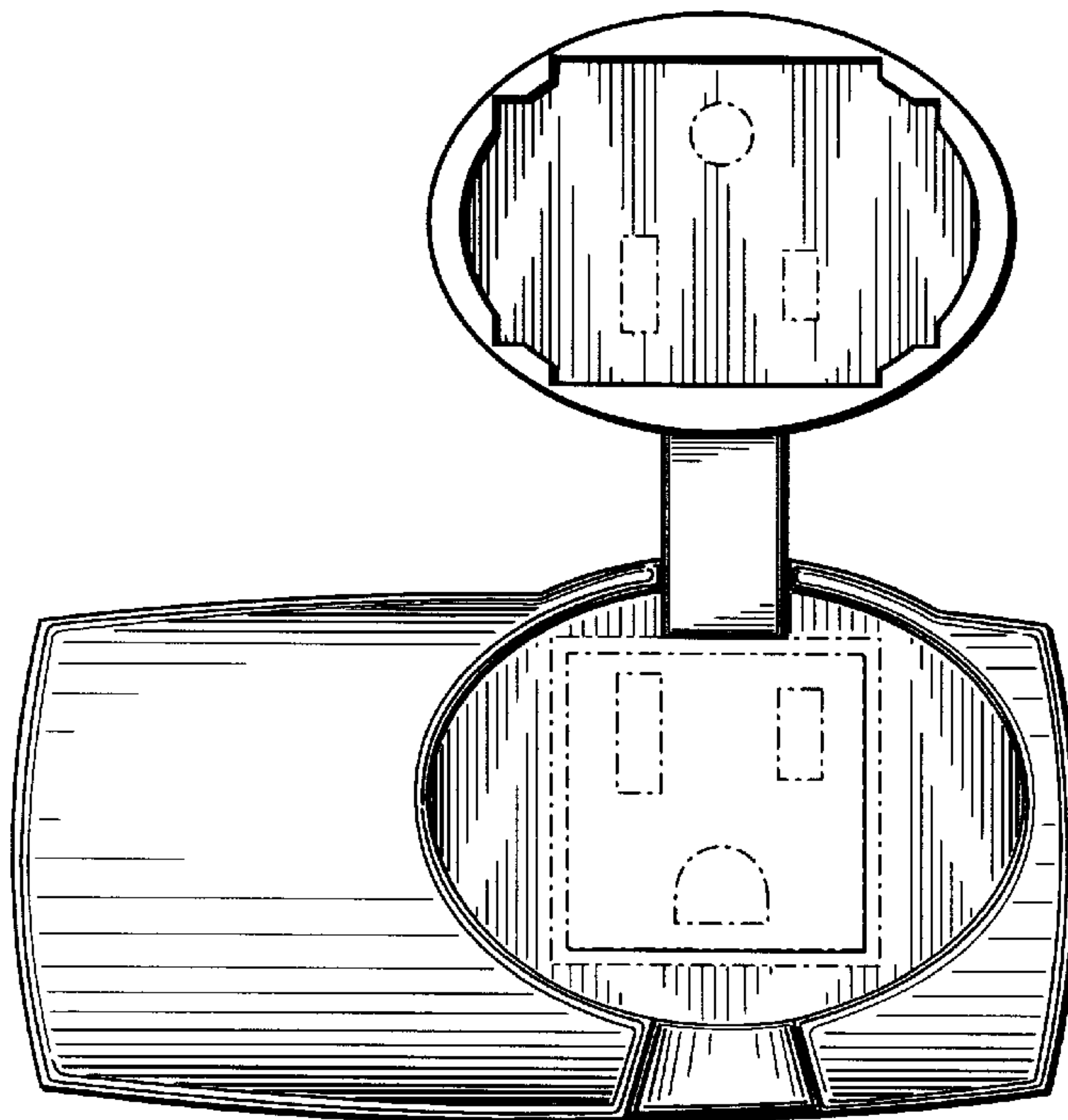


Fig. 14

UNITED STATES PATENT AND TRADEMARK OFFICE
CERTIFICATE OF CORRECTION

PATENT NO. : Des. 465,198 S
DATED : November 5, 2002
INVENTOR(S) : Veino et al.

Page 1 of 1

It is certified that error appears in the above-identified patent and that said Letters Patent is hereby corrected as shown below:

Title page,

Items [12] and [75], "**Vieno**" should read -- **Veino** --

Signed and Sealed this

Twenty-fifth Day of February, 2003

A handwritten signature in black ink, appearing to read "James E. Rogan", with a horizontal line drawn underneath it.

JAMES E. ROGAN
Director of the United States Patent and Trademark Office