



US00D465197S

(12) **United States Design Patent**  
**Streett et al.**

(10) **Patent No.:** **US D465,197 S**

(45) **Date of Patent:** **\*\* Nov. 5, 2002**

(54) **PISTOL GRIP TRANSDUCER**

D336,889 S \* 6/1993 Boyer ..... D13/101  
6,099,537 A \* 8/2000 Sugai et al. .... 606/143

(76) Inventors: **William B. Streett**, P.O. Box 3871,  
Ithaca, NY (US) 14851; **Charles M. Curley**, P.O. Box 3871, Ithaca, NY  
(US) 14851

\* cited by examiner

*Primary Examiner*—Lisa Lichtenstein  
(74) *Attorney, Agent, or Firm*—Brown & Michaels, PC

(\*\*) Term: **14 Years**

(57) **CLAIM**

(21) Appl. No.: **29/157,839**

We claim the ornamental design for a pistol grip transducer,  
as shown.

(22) Filed: **Mar. 27, 2002**

(51) **LOC (7) Cl.** ..... **13-01**

(52) **U.S. Cl.** ..... **D13/101**

(58) **Field of Search** ..... D13/101; 361/283.1;  
606/143, 167, 205

**DESCRIPTION**

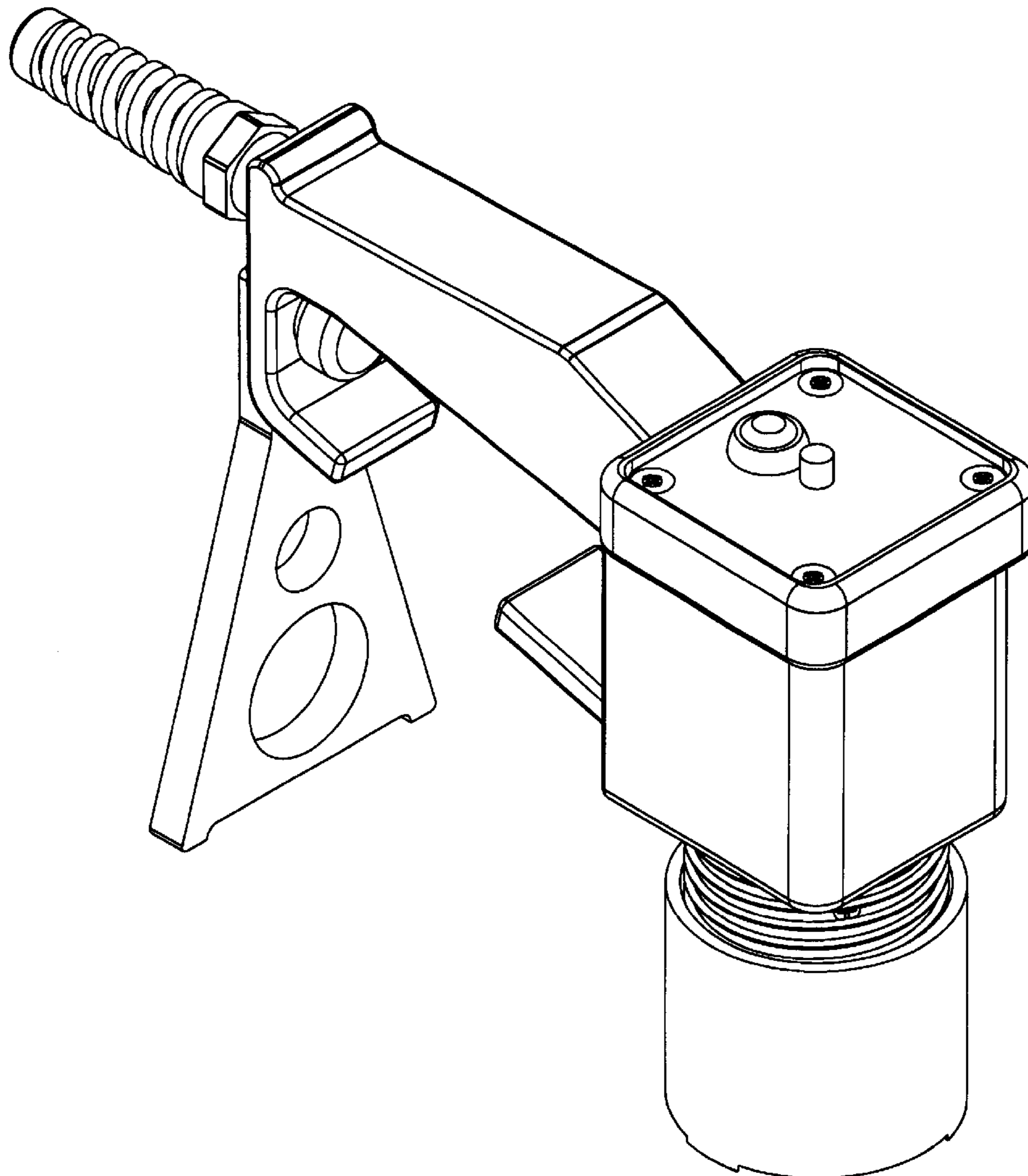
FIG. 1 is a perspective view of the pistol grip transducer.  
FIG. 2 is a top view of the transducer.  
FIG. 3 is a right side view of the transducer.  
FIG. 4 is a left side view of the transducer.  
FIG. 5 is a bottom view of the transducer.  
FIG. 6 is a rear view of the transducer; and,  
FIG. 7 is a front view of the transducer.

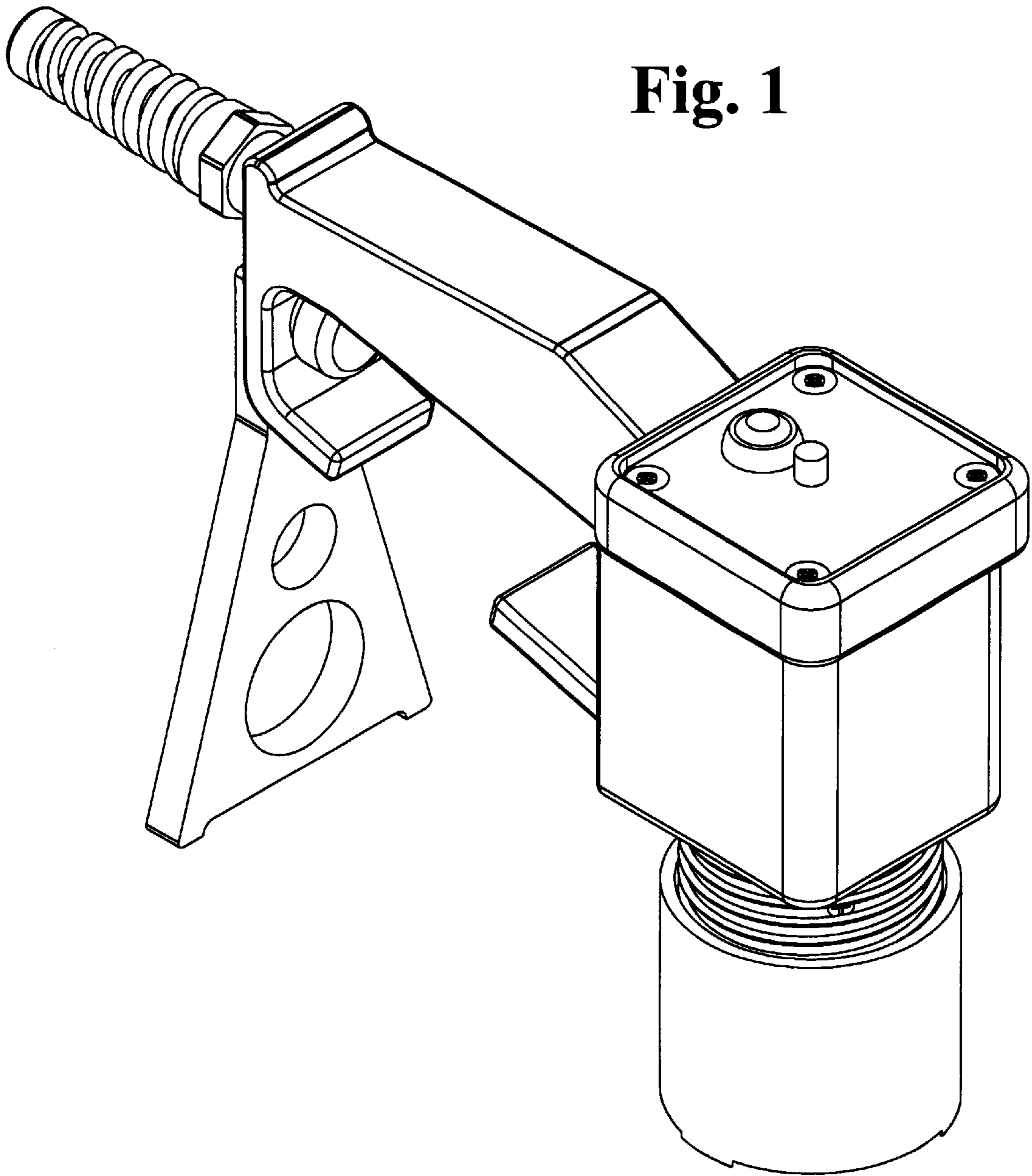
(56) **References Cited**

**U.S. PATENT DOCUMENTS**

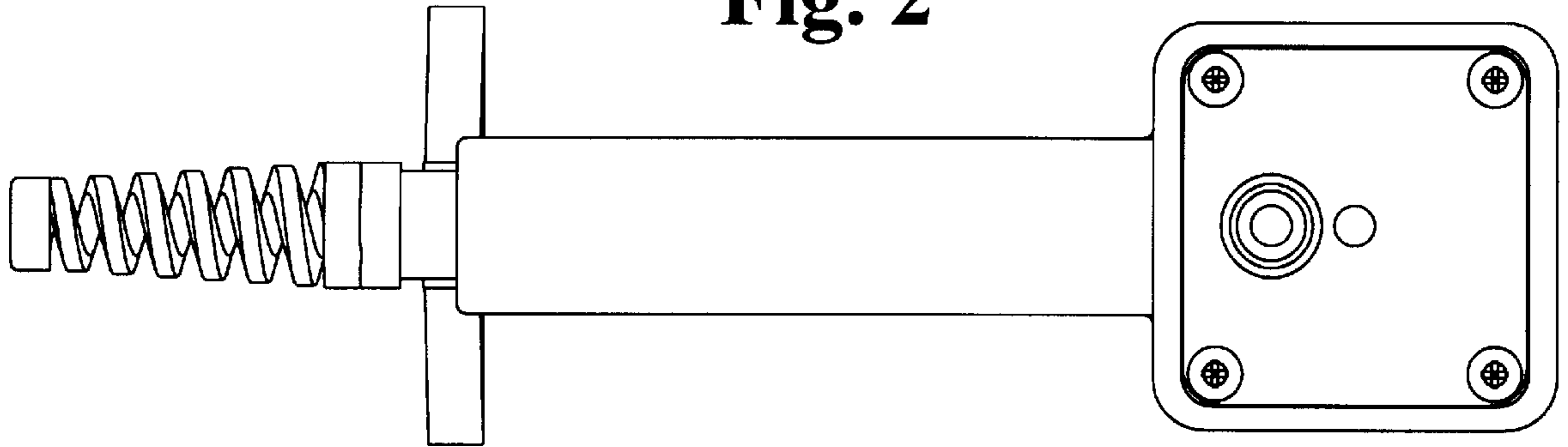
D260,880 S \* 9/1981 Spoor ..... D13/101  
D318,646 S \* 7/1991 Korbassi ..... D13/101

**1 Claim, 4 Drawing Sheets**

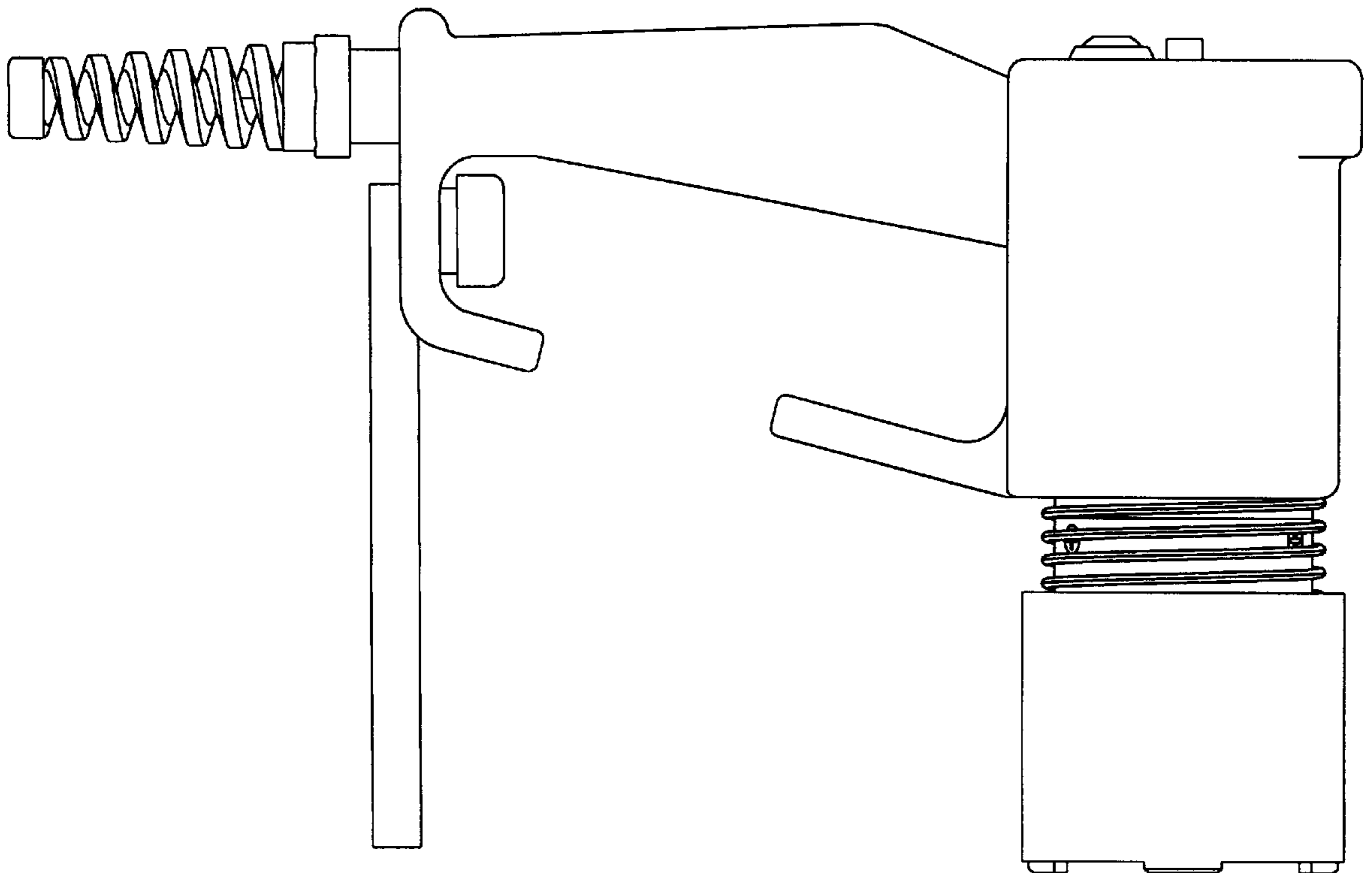




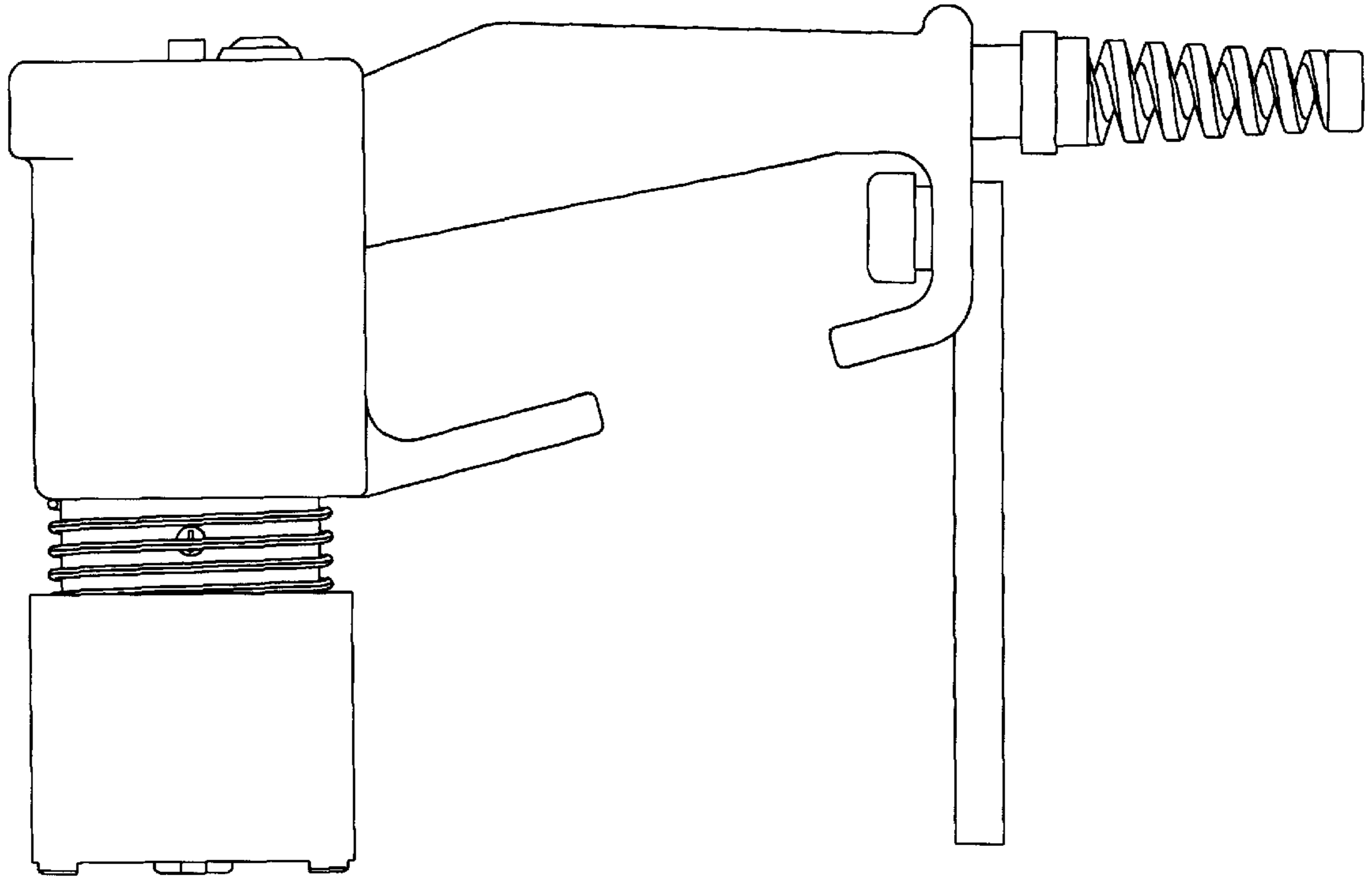
**Fig. 2**



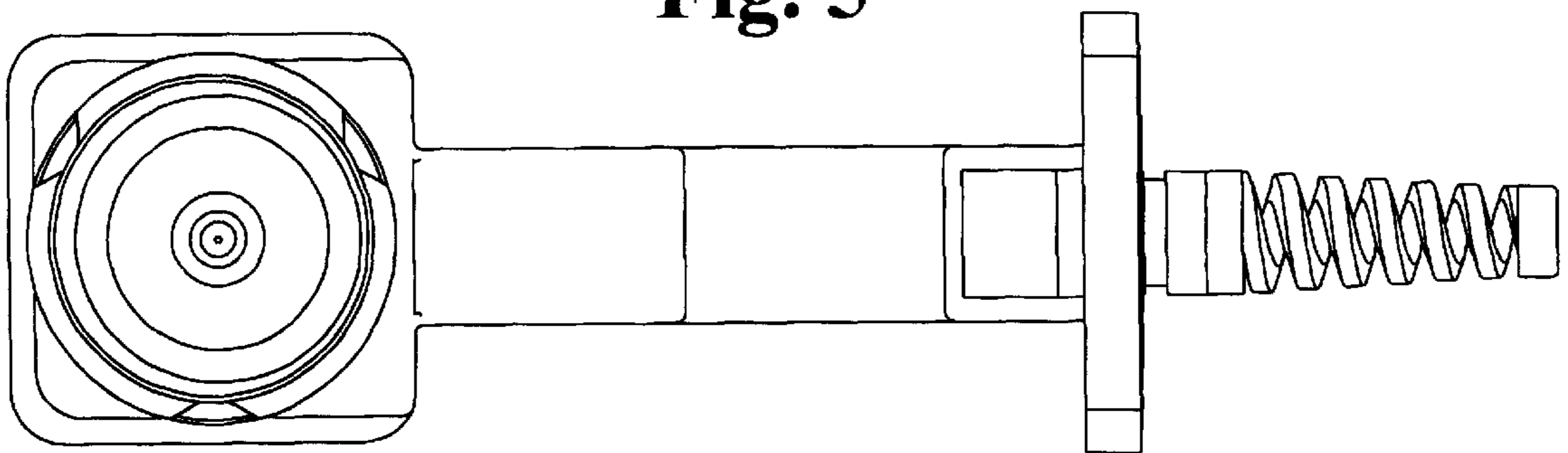
**Fig. 3**

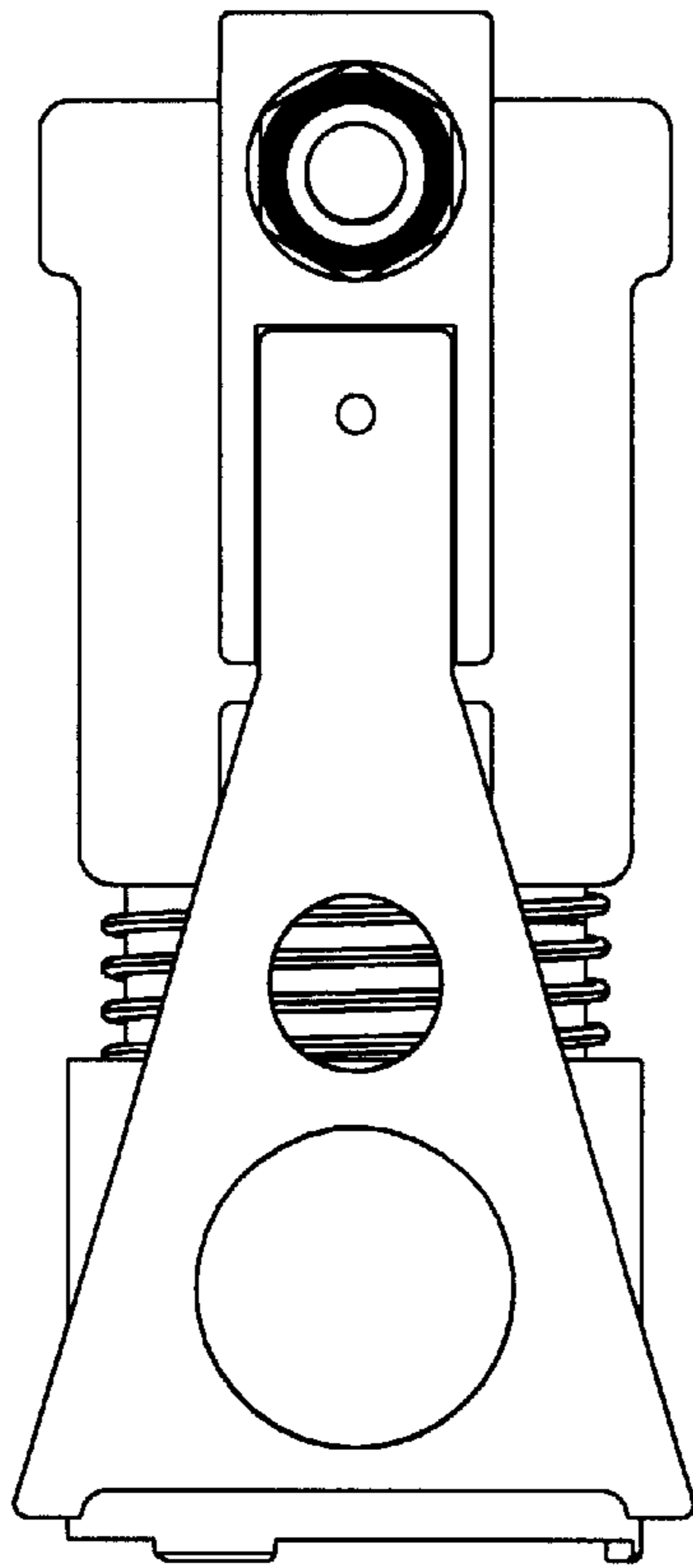


**Fig. 4**

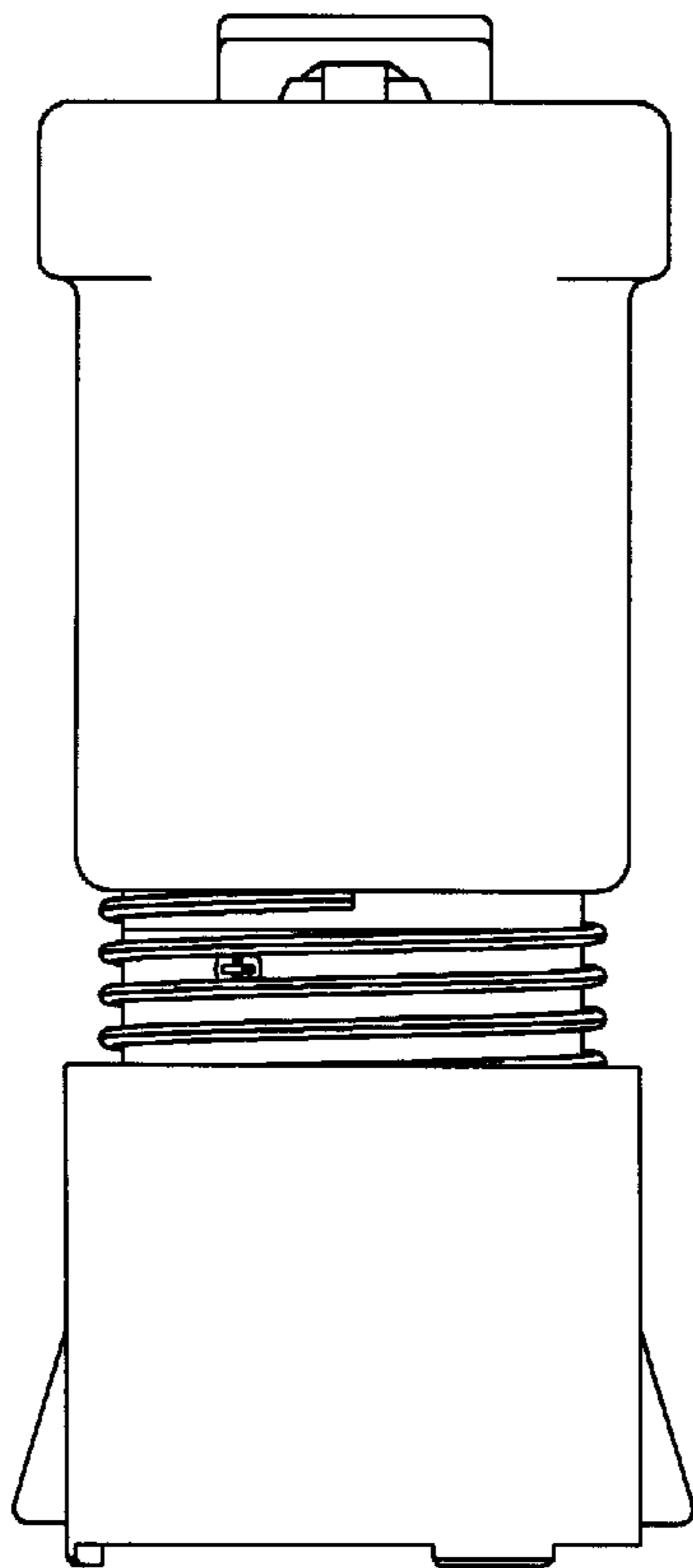


**Fig. 5**





**Fig. 6**



**Fig. 7**