



US00D465189S

(12) **United States Design Patent**
Brooks et al.

(10) **Patent No.:** **US D465,189 S**

(45) **Date of Patent:** **** *Nov. 5, 2002**

(54) **HIGH PERFORMANCE MULTI-PURPOSE FRIGATE**

(75) Inventors: **James P. Brooks**, Gautier, MS (US); **Ross L. Buck**, Mobile, AL (US); **Harold L. Galloway**; **John P. Hackett**, both of Ocean Springs, MS (US); **Kenneth E. Hoffman**, Gautier, MS (US); **Kermit B. Pethtel, Jr.**, Ocean Springs, MS (US); **John F. Robbins, II**, Gulfport, MS (US); **Richard F. Sandifer, Jr.**, Sanoma, CA (US); **William J. Steelman**; **Peter K. Weinrich**, both of Ocean Springs, MS (US)

(73) Assignee: **Ingalls Shipbuilding, Inc.**, Pascagoula, MS (US)

(*) Notice: This patent is subject to a terminal disclaimer.

(**) Term: **14 Years**

(21) Appl. No.: **29/074,330**

(22) Filed: **Aug. 4, 1997**

(51) **LOC (7) Cl.** **12-06**

(52) **U.S. Cl.** **D12/300; D12/315**

(58) **Field of Search** **D12/300-318; 114/1, 258, 259, 72, 56, 57, 61, 67 A; 440/66, 67**

(56) **References Cited**

U.S. PATENT DOCUMENTS

D. 366,642	*	1/1996	Brooks et al.	D12/315
4,550,673	*	11/1985	Ingvason	114/56
5,176,094	*	1/1993	Gongwer	114/61

* cited by examiner

Primary Examiner—Kay H. Chin

(74) *Attorney, Agent, or Firm*—Scott J. Coonan, Esq.

(57) **CLAIM**

The ornamental design for a high performance multi-purpose frigate, as shown and described.

DESCRIPTION

FIG. 1 is a front perspective view of a high performance multipurpose frigate showing our new design, the broken lines are for illustrative purposes only and form no part of the claimed design;

FIG. 2 is a front elevational view thereof;

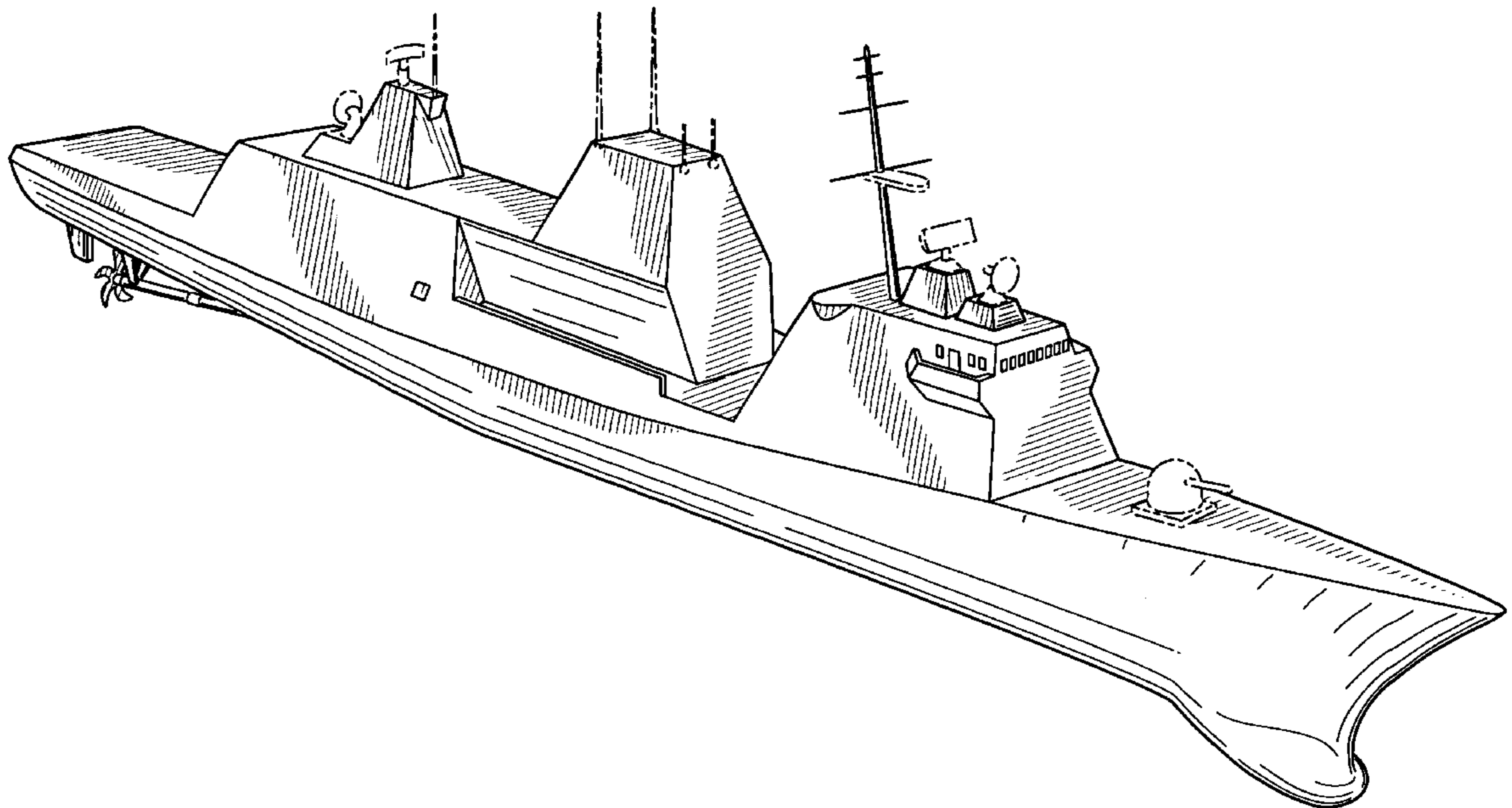
FIG. 3 is a rear elevational view thereof;

FIG. 4 is a side elevational view thereof, the opposite side view being a mirror image of that shown;

FIG. 5 is a top plan view thereof; and,

FIG. 6 is a bottom plan view thereof.

1 Claim, 2 Drawing Sheets



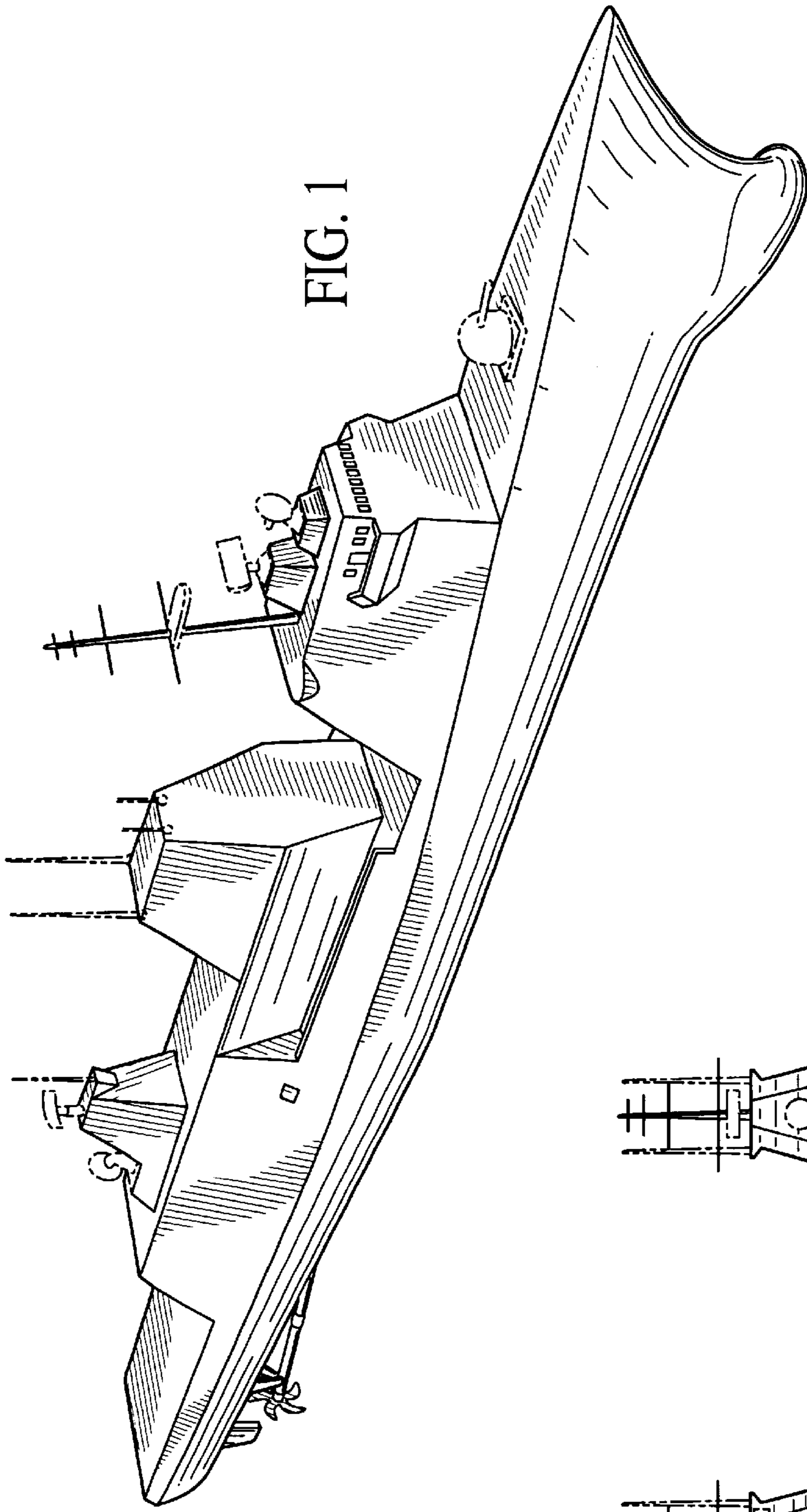


FIG. 1

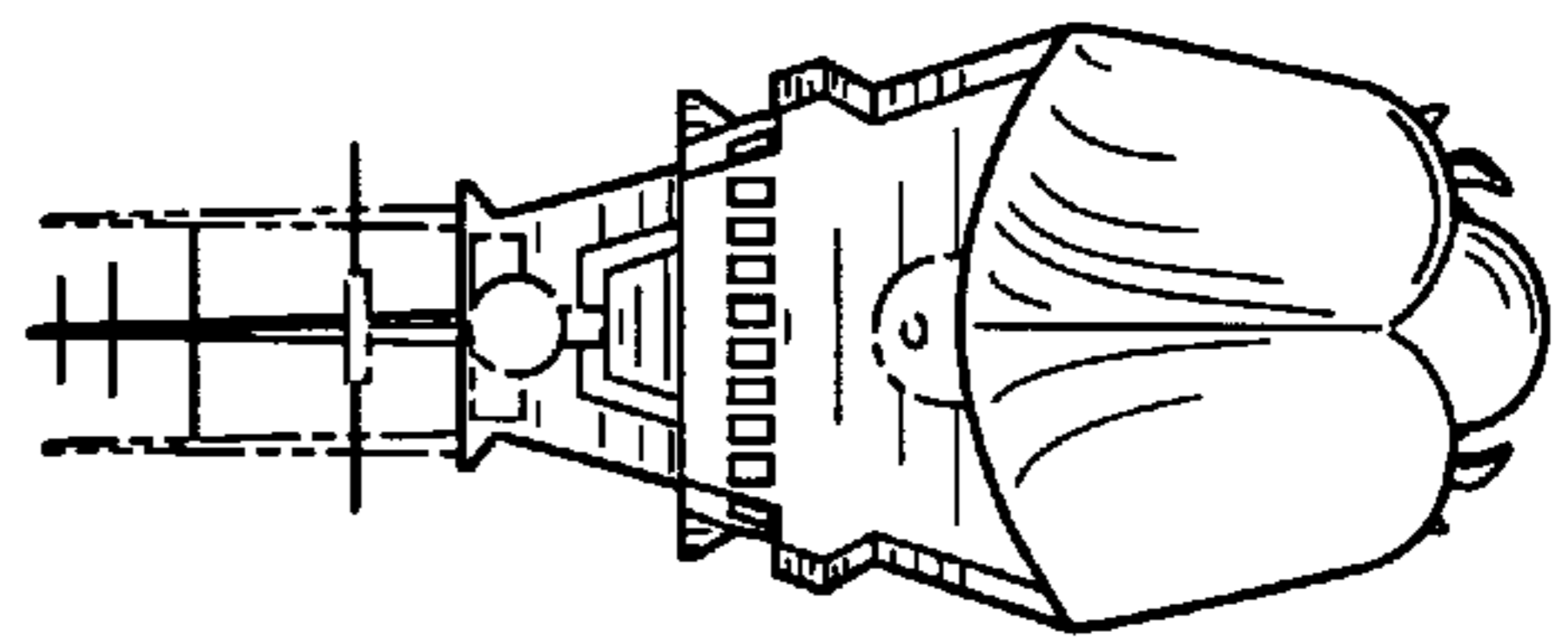


FIG. 2

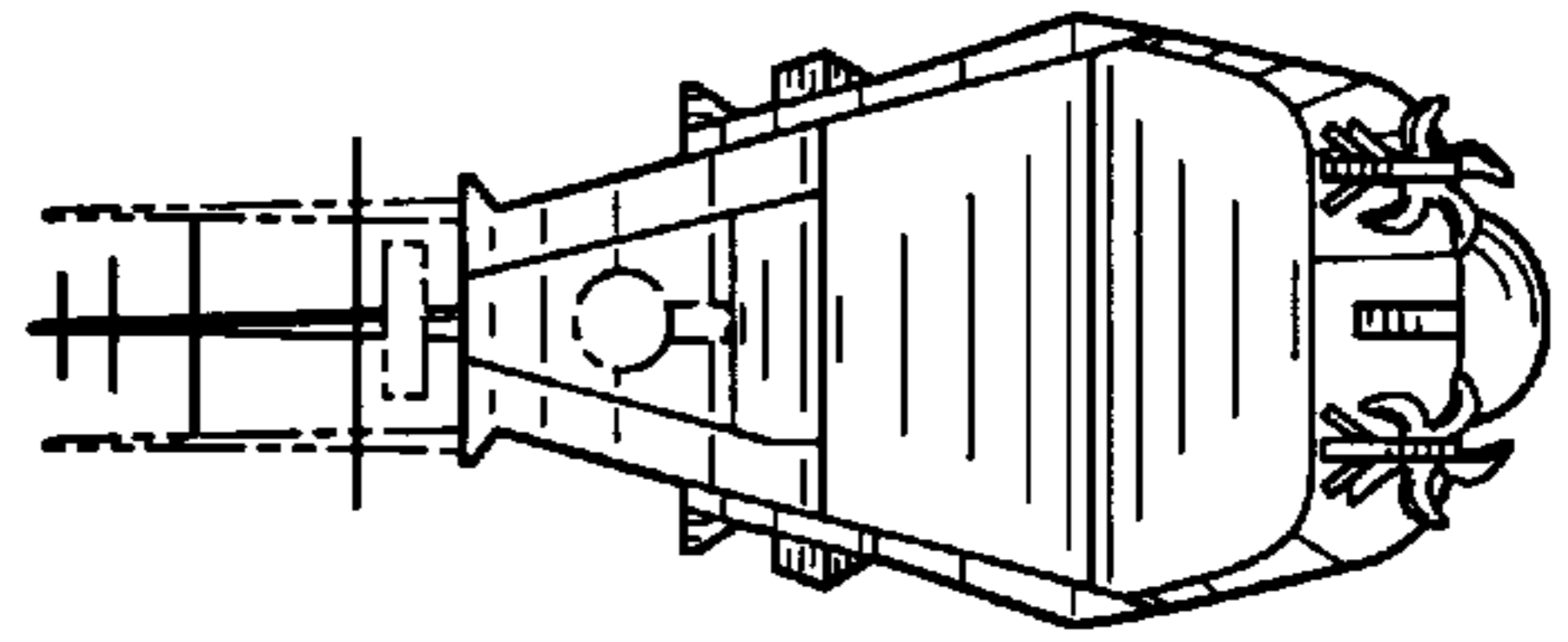


FIG. 3

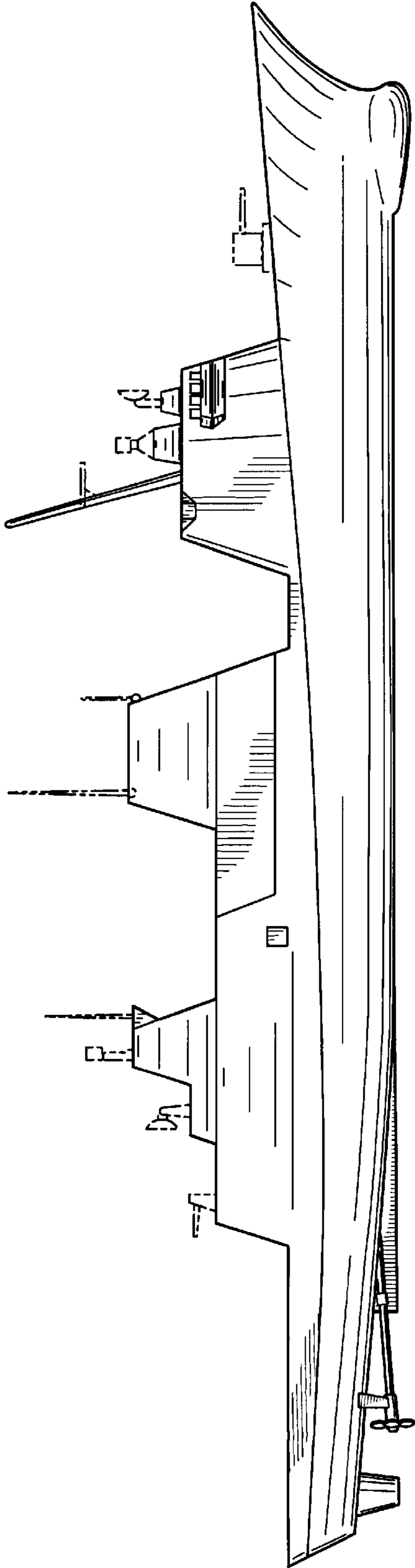


FIG. 4

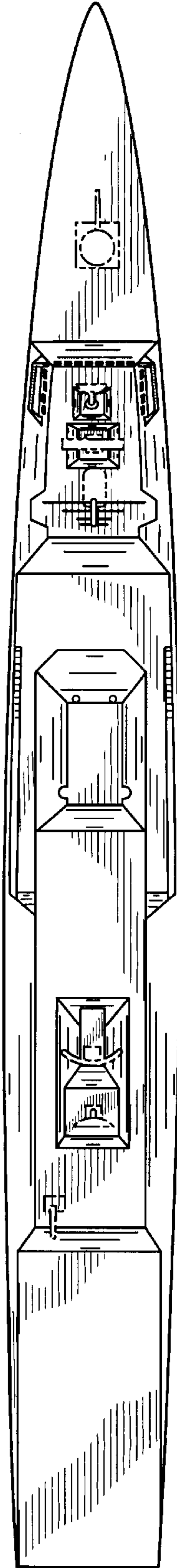


FIG. 5

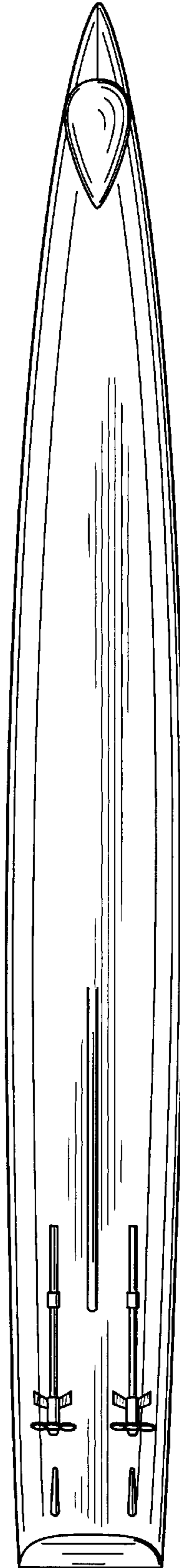


FIG. 6