



US00D465186S

(12) **United States Design Patent**
Chung

(10) **Patent No.:** **US D465,186 S**

(45) **Date of Patent:** **** Nov. 5, 2002**

(54) **AUTOMOTIVE WHEEL**

(75) **Inventor:** **Suny Chung**, Placentia, CA (US)

(73) **Assignee:** **MKW Alloys, Inc.**, City of Industry, CA (US)

(**) **Term:** **14 Years**

(21) **Appl. No.:** **29/160,581**

(22) **Filed:** **May 13, 2002**

(51) **LOC (7) Cl.** **12-16**

(52) **U.S. Cl.** **D12/211**

(58) **Field of Search** D12/204-211;
301/37.1, 64.1, 65

(56) **References Cited**

U.S. PATENT DOCUMENTS

D402,952 S	*	12/1998	Sycha	D12/211
D431,517 S	*	10/2000	Donikoglu	D12/209
D432,972 S	*	10/2000	Chung	D12/209
D444,118 S	*	6/2001	Chung	D12/211
D445,082 S	*	7/2001	Chung	D12/211

D446,493 S	*	8/2001	Sulahian et al.	D12/211
D450,026 S	*	11/2001	Donikoglu	D12/209
D456,335 S	*	4/2002	Chung	D12/211
D458,205 S	*	6/2002	McCowin	D12/209
D459,691 S	*	7/2002	Takechi	D12/211
D459,692 S	*	7/2002	Vian	D12/211

* cited by examiner

Primary Examiner—Stacia Cadmus

(74) *Attorney, Agent, or Firm*—G. Donald Weber, Jr.

(57) **CLAIM**

The ornamental design for an automotive wheel, as shown and described.

DESCRIPTION

FIG. 1 is an oblique view of a first embodiment of the automotive wheel of the instant invention; and, FIG. 2 is a side elevation view of the first embodiment of the automotive wheel of the instant invention.

The broken line showing of environment is for illustrative purposes and forms no part of the claimed design.

1 Claim, 1 Drawing Sheet

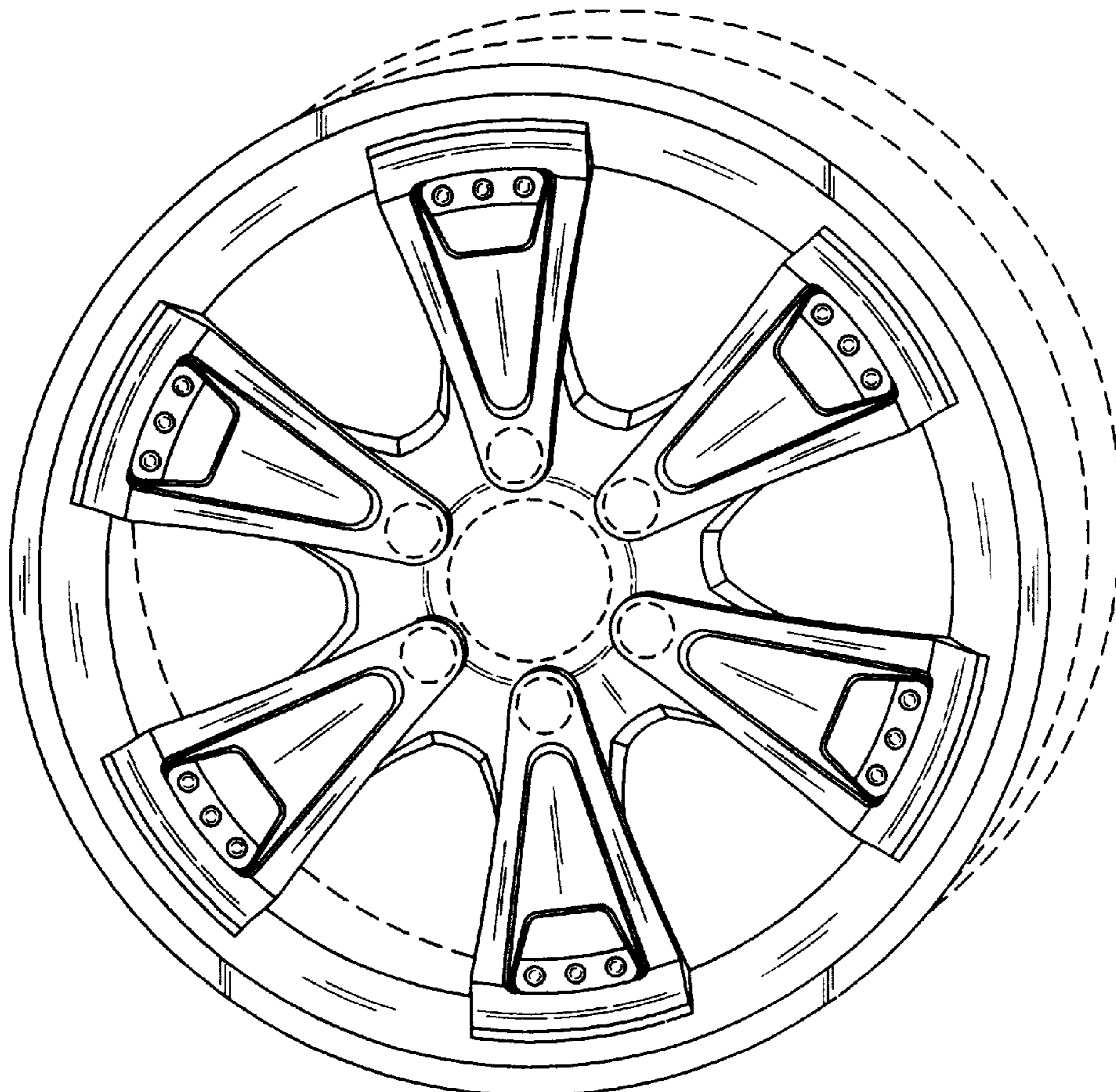


Fig. 1

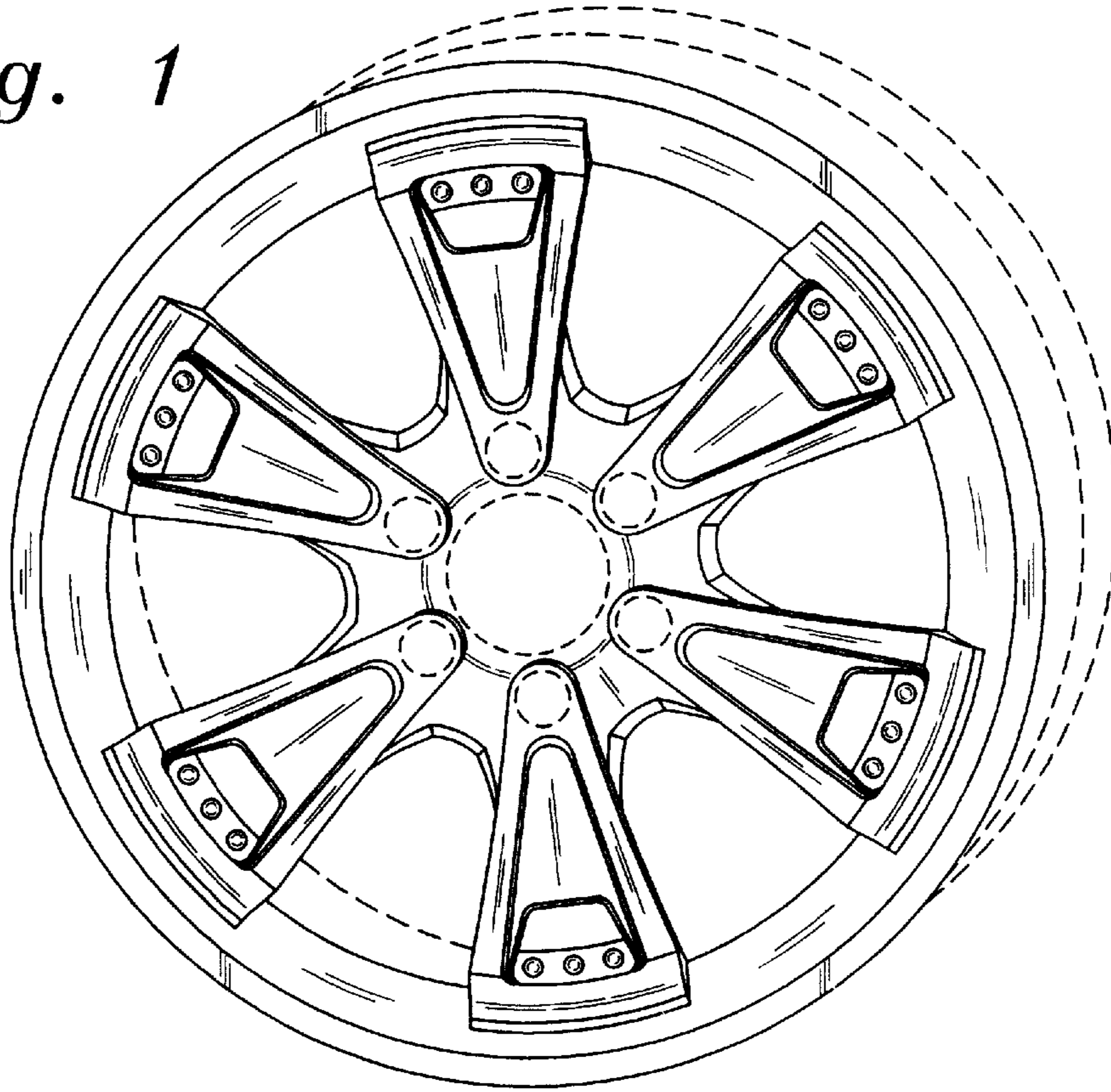


Fig. 2

