



US00D465185S

(12) **United States Design Patent**
Chung

(10) **Patent No.:** **US D465,185 S**

(45) **Date of Patent:** **** Nov. 5, 2002**

(54) **AUTOMOTIVE WHEEL**

(75) **Inventor:** **Suny Chung**, Placentia, CA (US)

(73) **Assignee:** **MKW Alloys, Inc**, City of Industry, CA (US)

(**) **Term:** **14 Years**

(21) **Appl. No.:** **29/160,433**

(22) **Filed:** **May 13, 2002**

(51) **LOC (7) Cl.** **12-16**

(52) **U.S. Cl.** **D12/211**

(58) **Field of Search** D12/204-211;
301/37.1, 64.1, 65

(56) **References Cited**

U.S. PATENT DOCUMENTS

D399,470 S	*	10/1998	Sacco et al.	D12/209
D403,291 S	*	12/1998	Cullen	D12/211
D416,848 S	*	11/1999	Bernoni	D12/209
D418,798 S	*	1/2000	Muzzarelli et al.	D12/211
D425,472 S	*	5/2000	Donikoglu	D12/209
D431,517 S	*	10/2000	Donikoglu	D12/209

D431,807 S	*	10/2000	Fitzgerald	D12/211
D444,118 S	*	6/2001	Chung	D12/211
D446,493 S	*	8/2001	Sulahian et al.	D12/211
D455,108 S	*	4/2002	Kaucher	D12/209
D456,335 S	*	4/2002	Chung	D12/211
D458,205 S	*	5/2002	McCowin	D12/209
D459,692 S	*	7/2002	Vian	D12/211

* cited by examiner

Primary Examiner—Stacia Cadmus

(74) *Attorney, Agent, or Firm*—G. Donald Weber, Jr.

(57) **CLAIM**

The ornamental design for an automotive wheel, as shown and described.

DESCRIPTION

FIG. 1 is an oblique view of a first embodiment of the automotive wheel of the instant invention; and, FIG. 2 is a side elevation view of the first embodiment of the automotive wheel of the instant invention.

The broken line showing of environment is for illustrative purposes and forms no part of the claimed design.

1 Claim, 1 Drawing Sheet

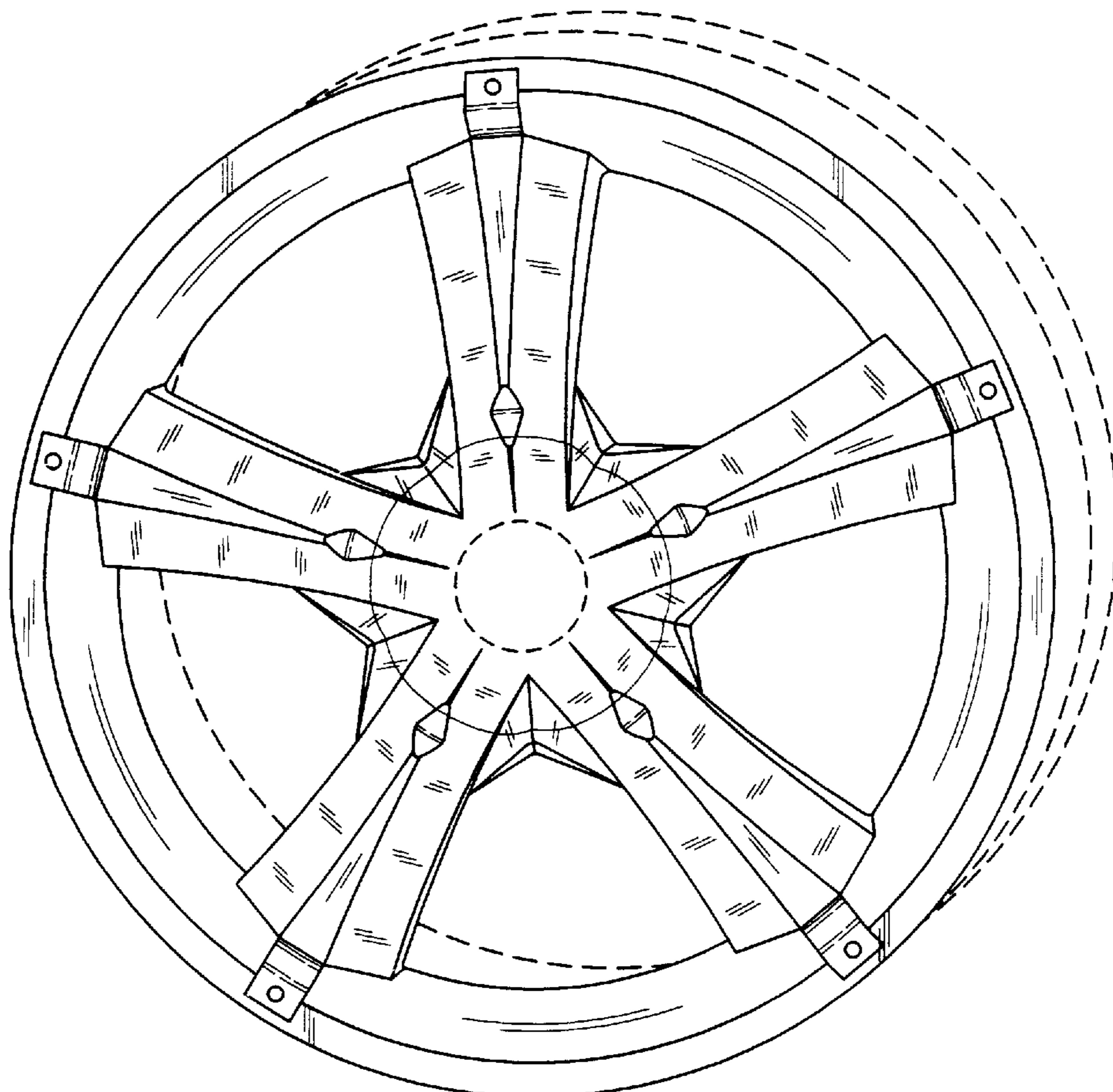


Fig. 1

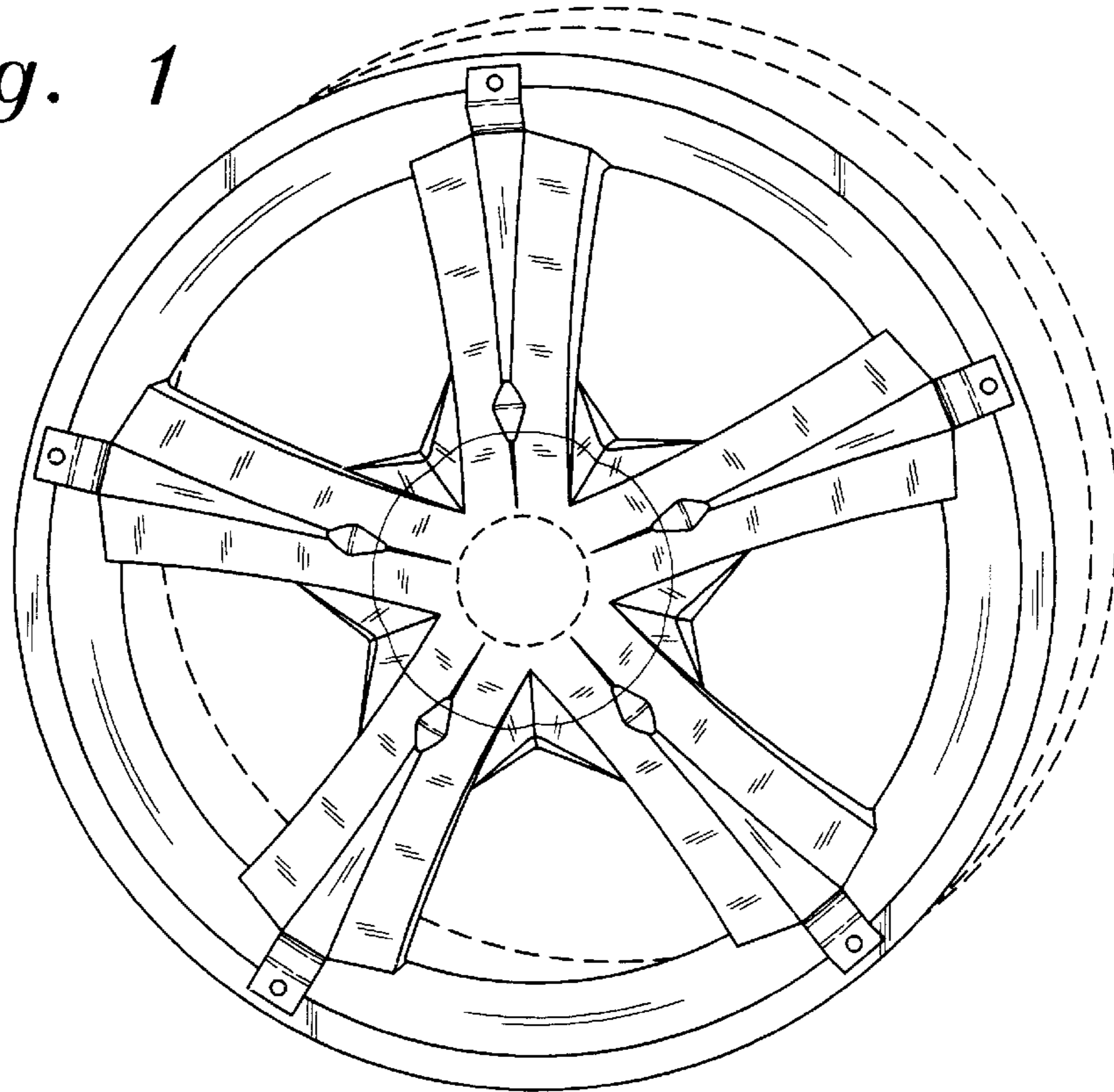


Fig. 2

