



US00D465183S

(12) **United States Design Patent**
Singer

(10) **Patent No.:** **US D465,183 S**

(45) **Date of Patent:** **** Nov. 5, 2002**

(54) **AUTOMOTIVE WHEEL**

(75) **Inventor:** **Leslie Carmona Singer**, Long Beach, CA (US)

(73) **Assignee:** **Synergies America, Inc.**, Santa Fe Springs, CA (US)

(**) **Term:** **14 Years**

(21) **Appl. No.:** **29/154,643**

(22) **Filed:** **Jan. 28, 2002**

(51) **LOC (7) Cl.** **12-16**

(52) **U.S. Cl.** **D12/211**

(58) **Field of Search** D12/204-211;
301/37.1, 64.1, 65

(56) **References Cited**

U.S. PATENT DOCUMENTS

D208,542 S	*	9/1967	Halibrand	D12/211
D416,534 S	*	11/1999	Couzyn et al.	D12/211
D438,504 S	*	3/2001	Muzzarelli	D12/211
D446,180 S	*	8/2001	Sulahian et al.	D12/211
D446,493 S	*	8/2001	Sulahian et al.	D12/211

D449,267 S	*	10/2001	Fitzgerald	D12/211
D452,209 S	*	12/2001	Chung	D12/209
D454,107 S	*	3/2002	Chung	D12/211
D455,703 S	*	4/2002	Foose	D12/211

* cited by examiner

Primary Examiner—Stacia Cadmus

(74) *Attorney, Agent, or Firm*—G. Donald Weber, Jr.

(57) **CLAIM**

The ornamental designs for an automotive wheel, as shown and described.

DESCRIPTION

FIG. 1 is an oblique view of one embodiment of the automotive wheel of the instant invention.

FIG. 2 is a front view of the embodiment of the automotive wheel shown in FIG. 1.

FIG. 3 is an oblique view of a second embodiment of the automotive wheel of the instant invention; and,

FIG. 4 is a front view of the embodiment of the automotive wheel shown in FIG. 3.

The broken line showing of environment is for illustrative purposes only and forms no part of the claimed design.

1 Claim, 2 Drawing Sheets

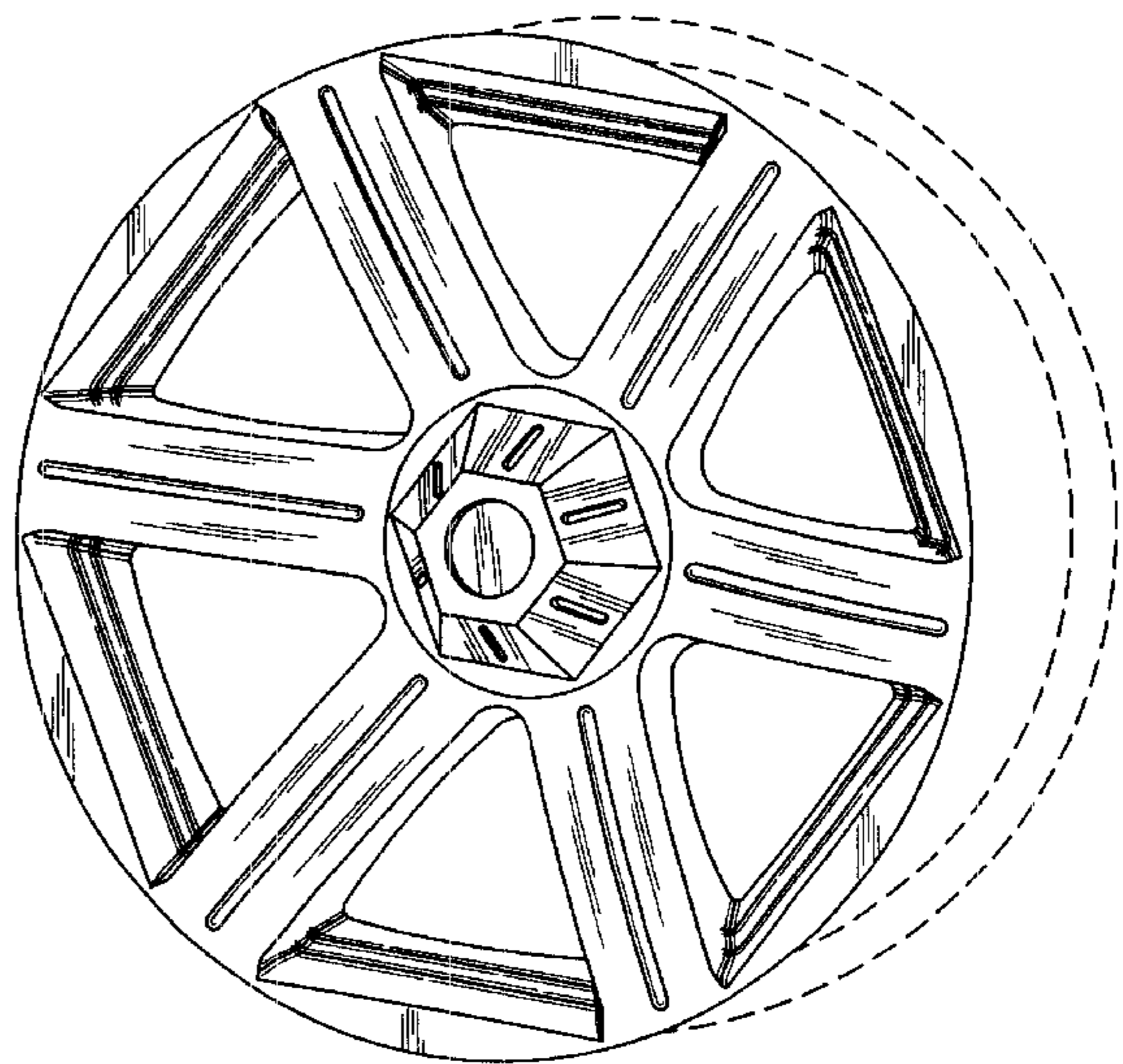
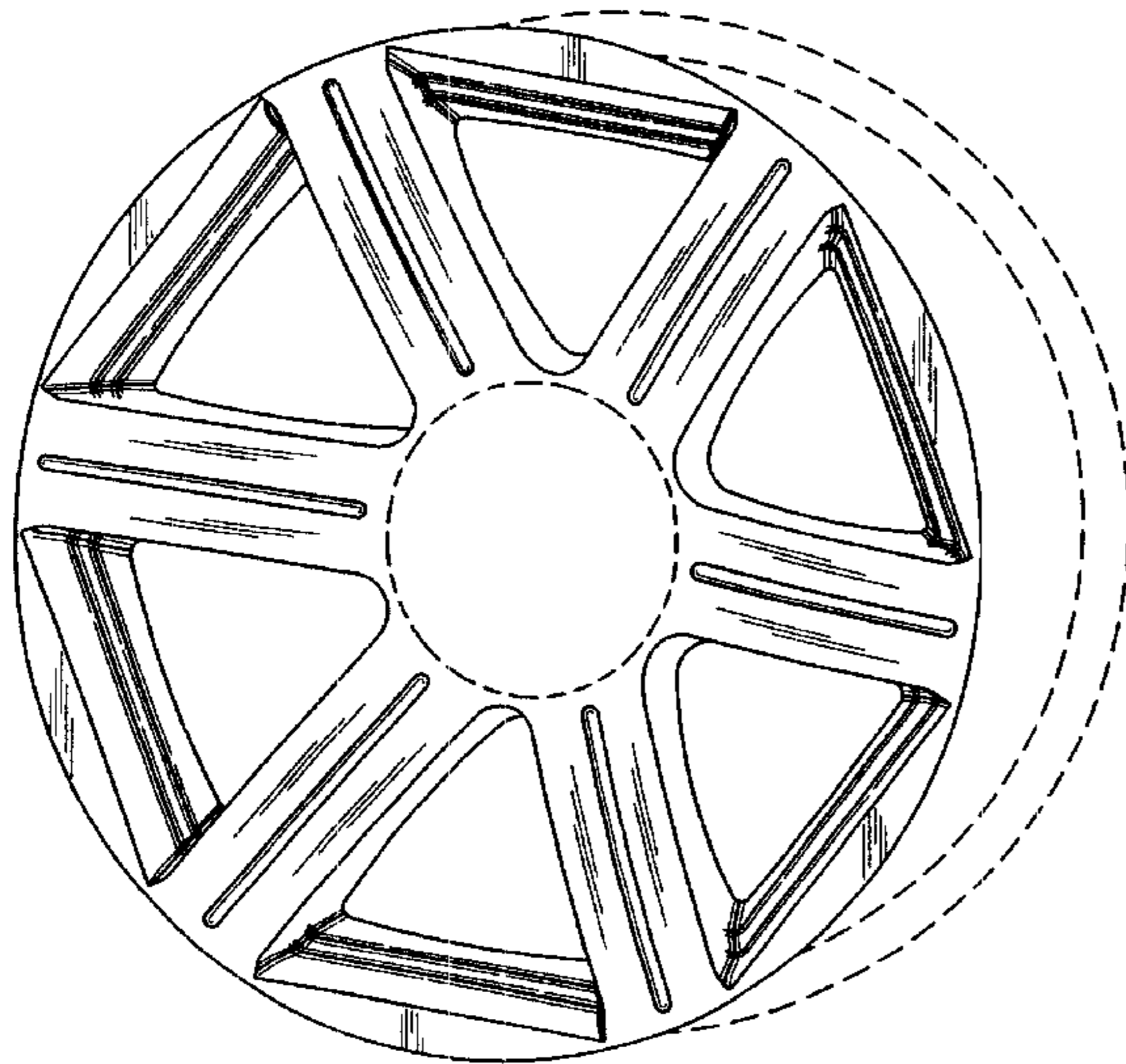


Fig. 1

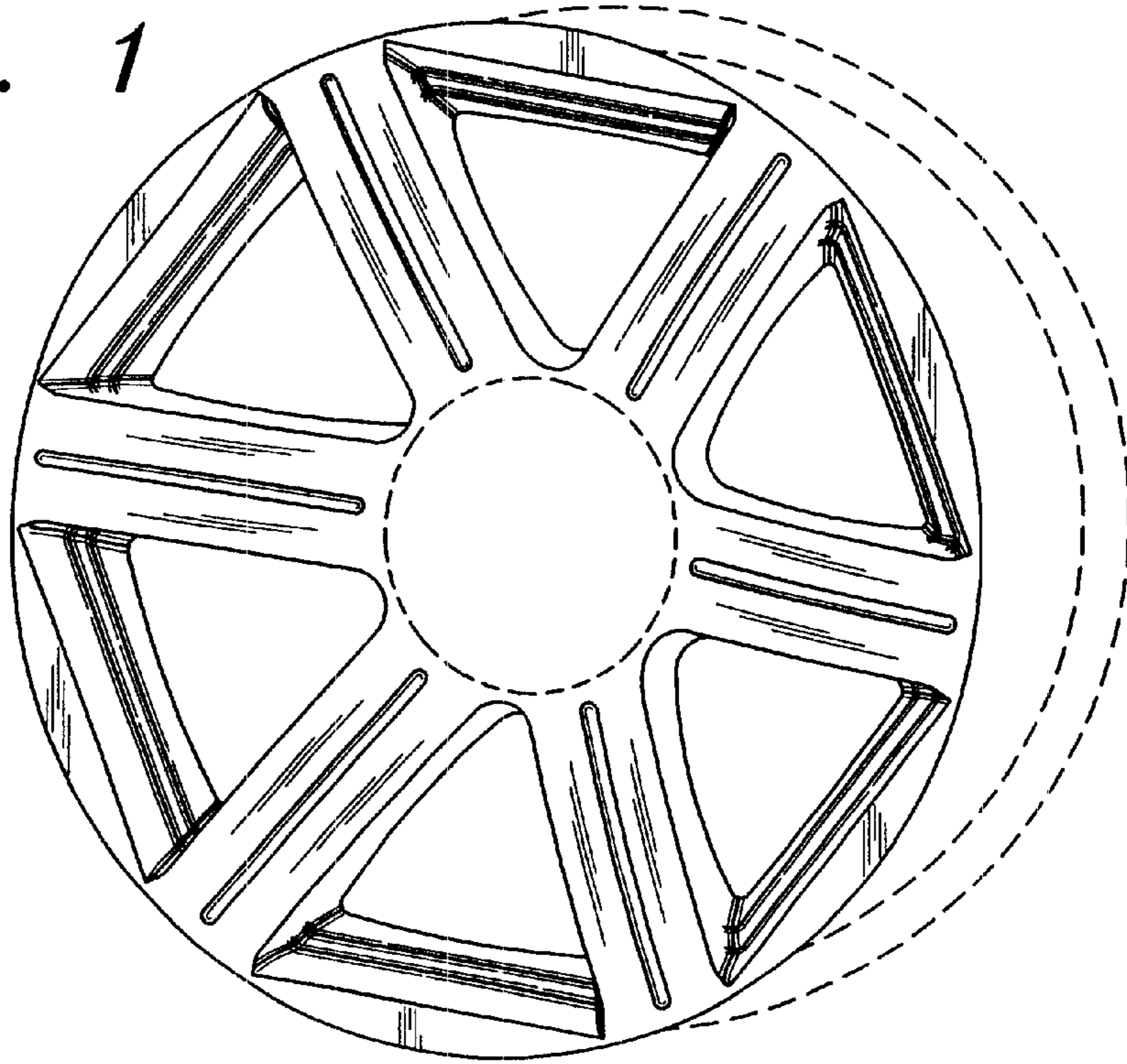


Fig. 2

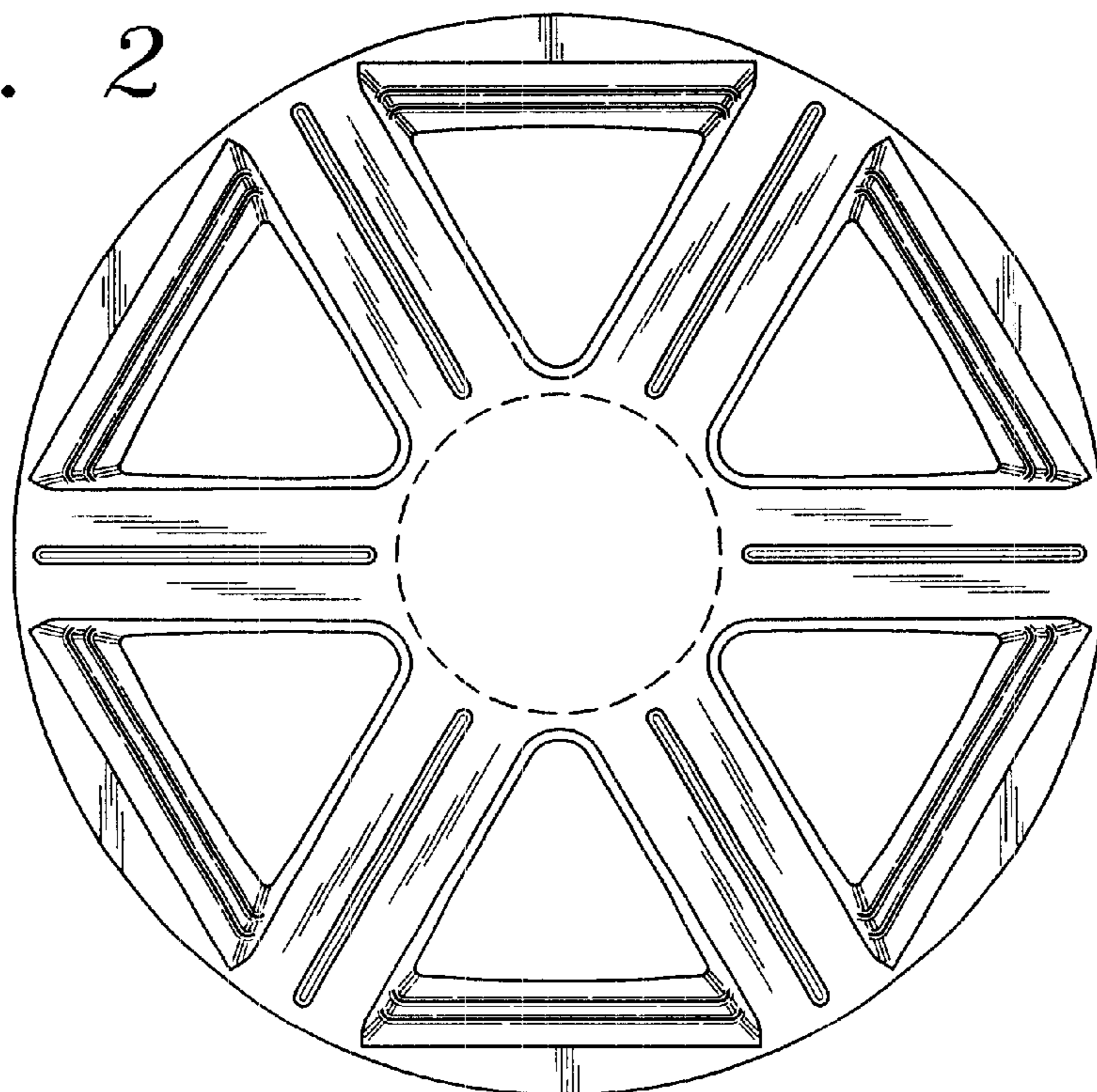


Fig. 3

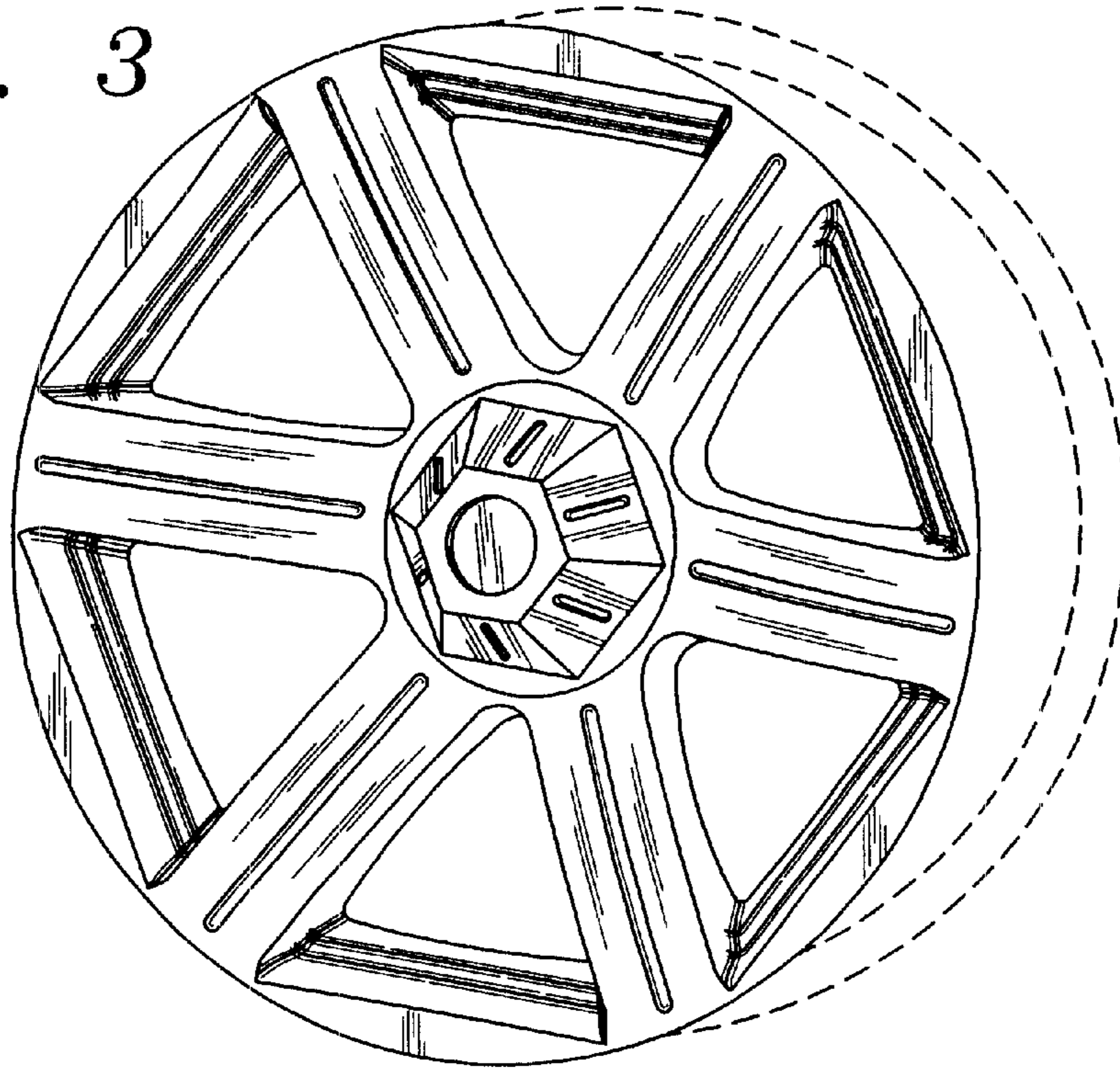


Fig. 4

