



US00D465181S

(12) **United States Design Patent**  
**Wang**

(10) **Patent No.:** **US D465,181 S**

(45) **Date of Patent:** **\*\* Nov. 5, 2002**

(54) **VEHICLE EXHAUST TIP HAVING A PERFORATED FRONT EXHAUST PORT**

(76) **Inventor:** **Calvin Wang**, 14317 E. Don Julian Rd., Industry, CA (US) 91746

(\*\*) **Term:** **14 Years**

(21) **Appl. No.:** **29/141,796**

(22) **Filed:** **May 14, 2001**

(51) **LOC (7) Cl.** ..... **12-16**

(52) **U.S. Cl.** ..... **D12/194**

(58) **Field of Search** ..... D12/400, 194, D12/114; 29/890, 890.8; 60/317; 181/264, 227-228, 232, 256-257, 282; 285/49, 232-235, 405, 414

(56) **References Cited**

**U.S. PATENT DOCUMENTS**

1,688,488	A	*	10/1928	Dormeyer	.....	D12/194	X
1,953,120	A	*	4/1934	Miller	.....	D12/194	X
D164,202	S	*	8/1951	Russell	.....	D12/194	
D164,960	S	*	10/1951	Russell	.....	D12/194	
D174,659	S	*	5/1955	Russell	.....	D12/194	
D246,038	S	*	10/1977	Moller	.....	D12/194	
D373,983	S	*	9/1996	Verlengiere	.....	D12/194	

D384,319	S	*	9/1997	Harutiunian	.....	D12/194	
D392,928	S	*	3/1998	Erion et al.	.....	D12/194	
D394,236	S	*	5/1998	Verlengiere	.....	D12/194	
D397,661	S	*	9/1998	Harutiunian	.....	D12/194	
6,085,863	A	*	7/2000	Shuen	.....	181/228	
D440,531	S	*	4/2001	Nagae	.....	D12/194	
D445,075	S	*	7/2001	Fan	.....	D12/194	

\* cited by examiner

*Primary Examiner*—Stacia Cadmus

(74) *Attorney, Agent, or Firm*—Albert O. Cota

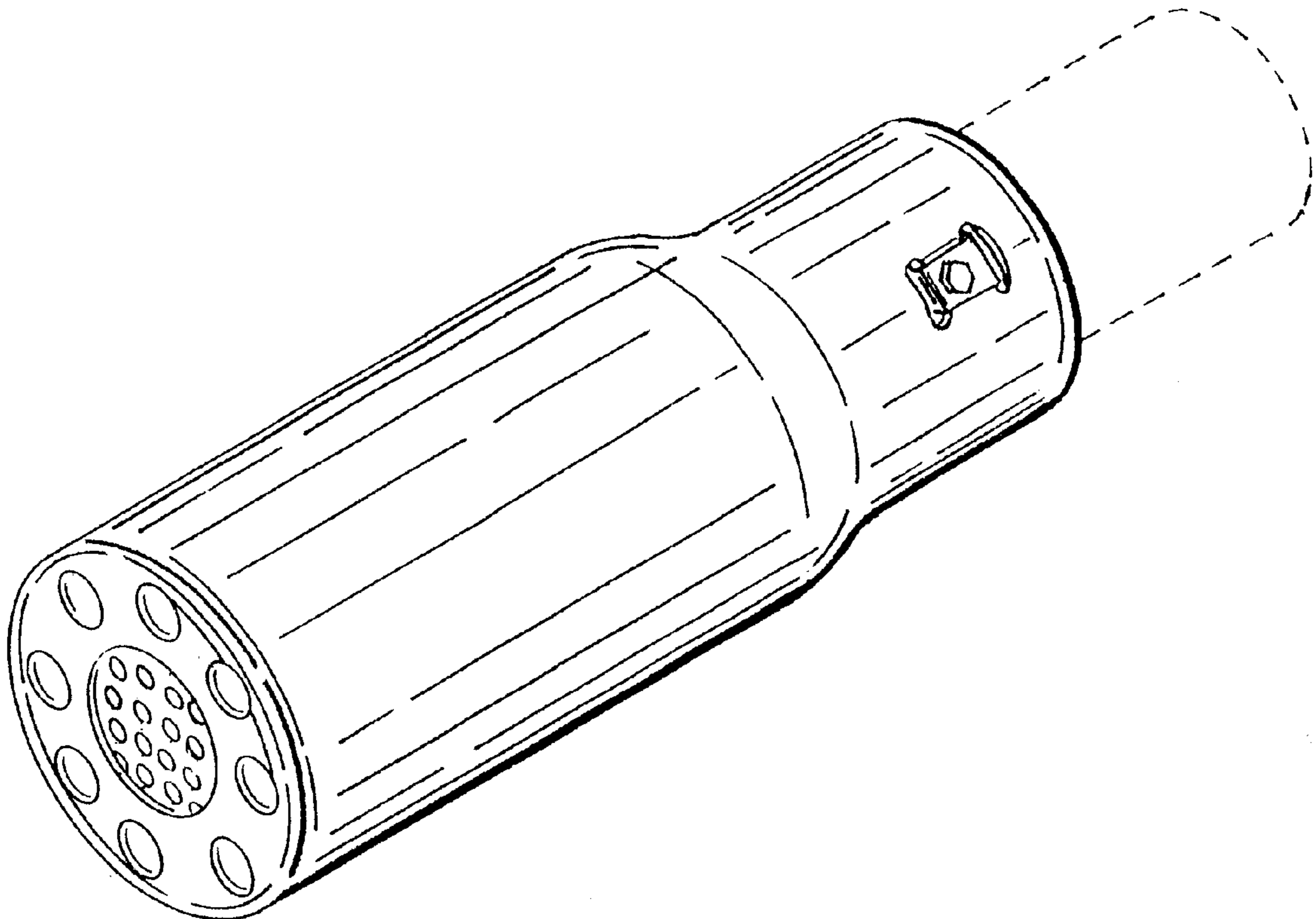
(57) **CLAIM**

The ornamental design for a vehicle exhaust tip having a perforated front exhaust port, as shown and described.

**DESCRIPTION**

FIG. 1 is a perspective view of a vehicle exhaust tip having a perforated front exhaust port showing my new design. The vehicle tail pipe is shown in broken lines for illustrative purposes only and forms no part of the claimed invention, FIG. 2 is a right side elevational view thereof, the left side being a mirror image; thereof; FIG. 3 is a top plan view thereof; FIG. 4 is a bottom plan view thereof; and, FIG. 5 is a front elevational view thereof.

**1 Claim, 3 Drawing Sheets**



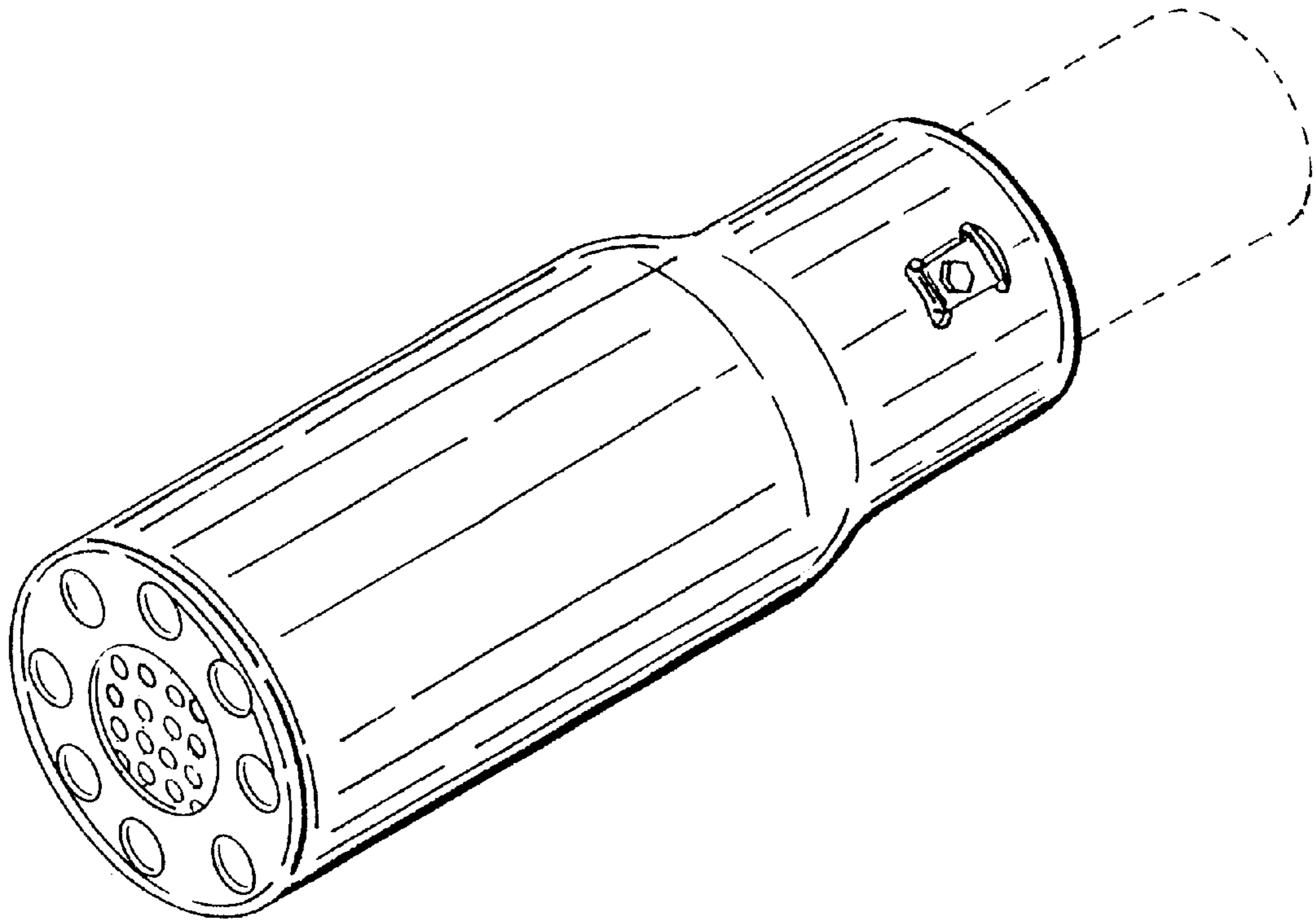


Fig.1.

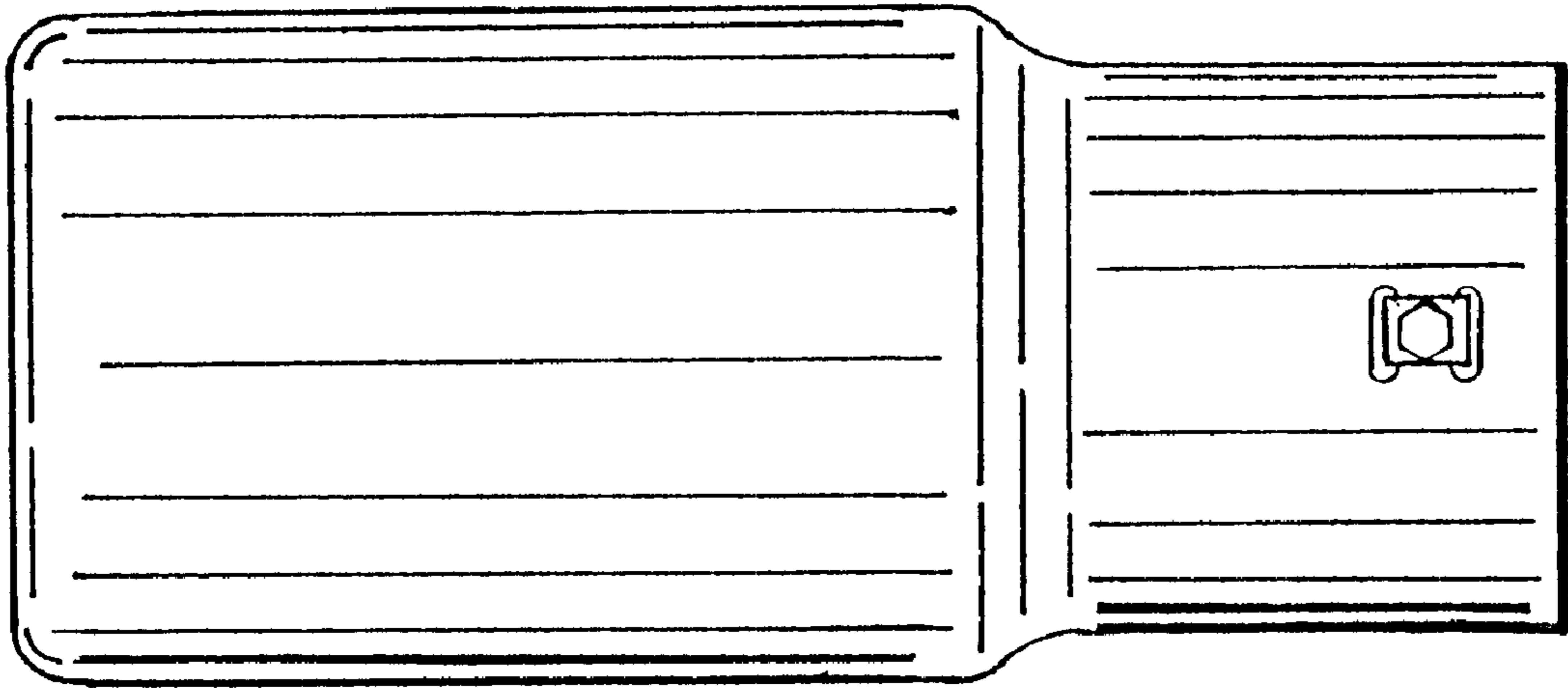


Fig. 2.

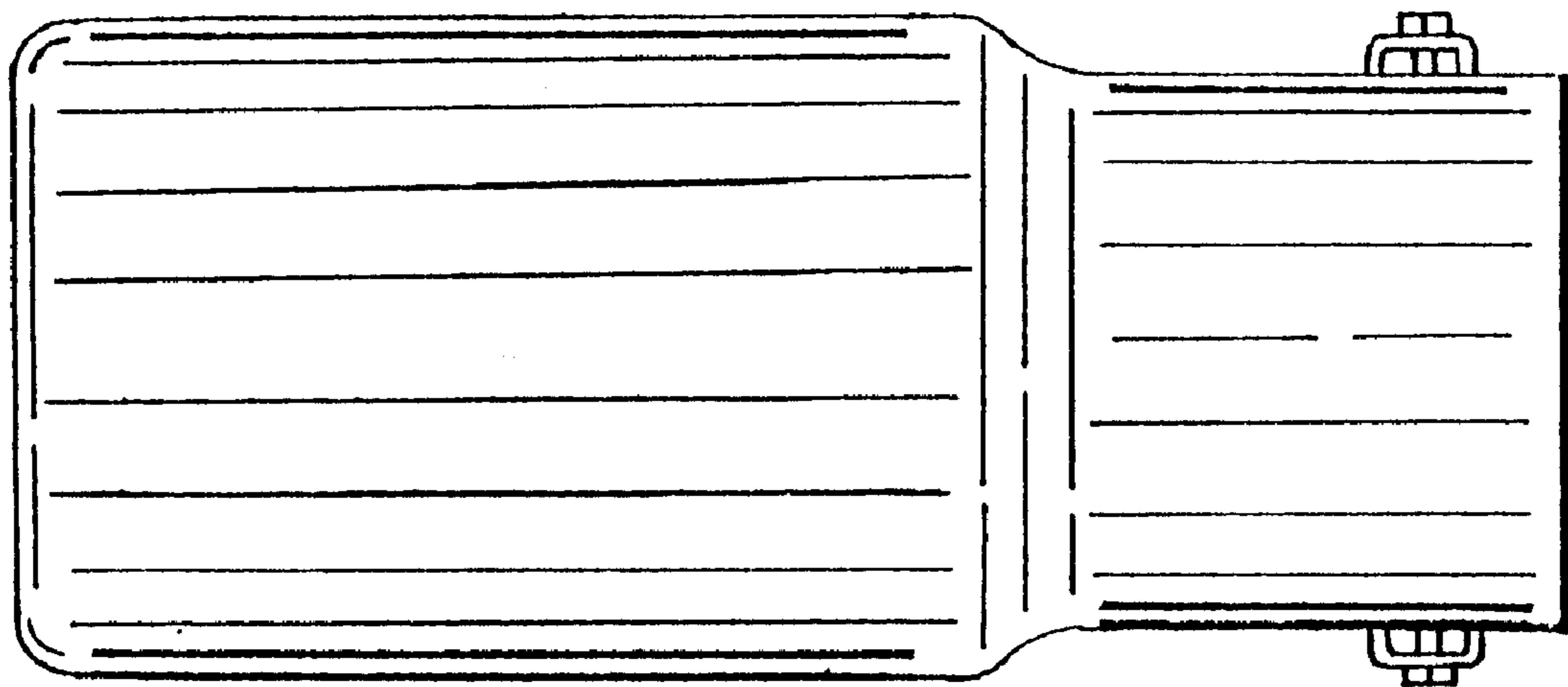


Fig. 3.

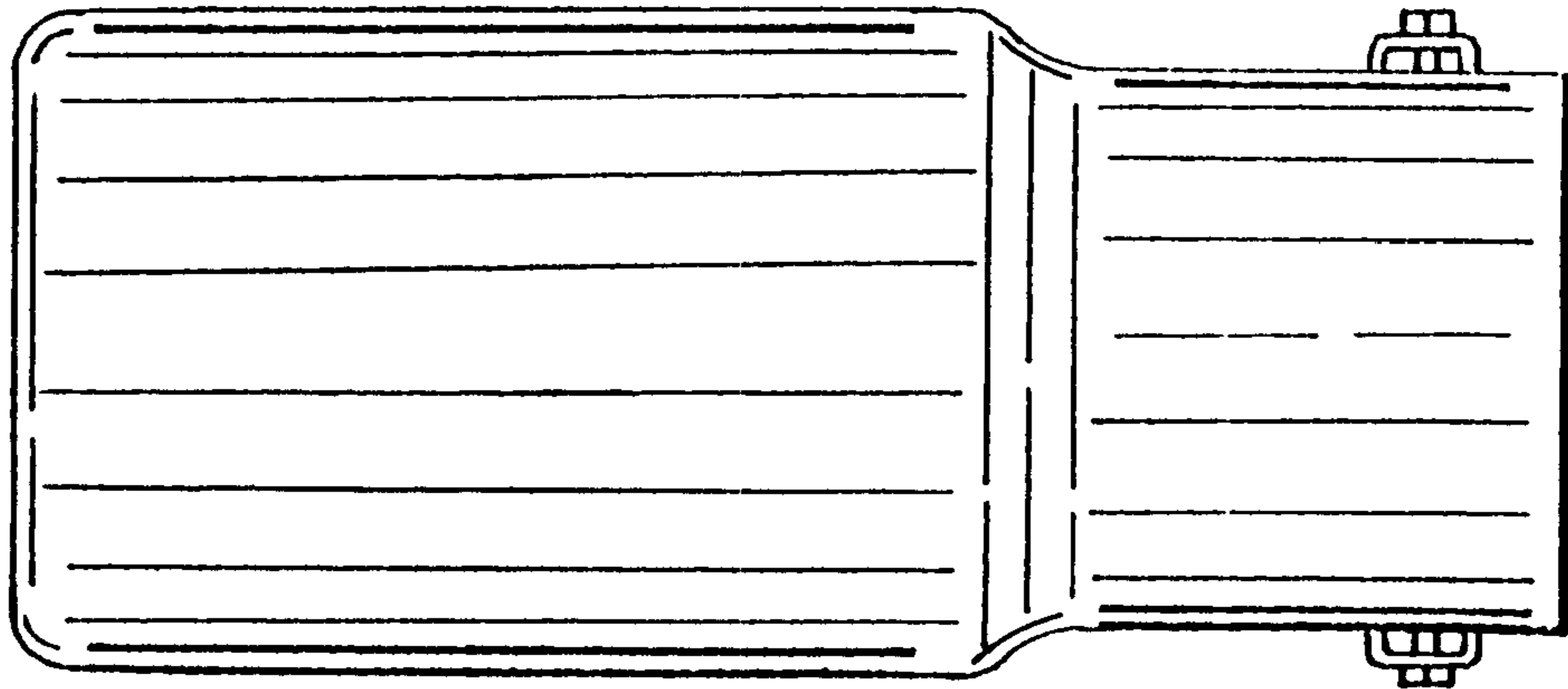


Fig. 4.

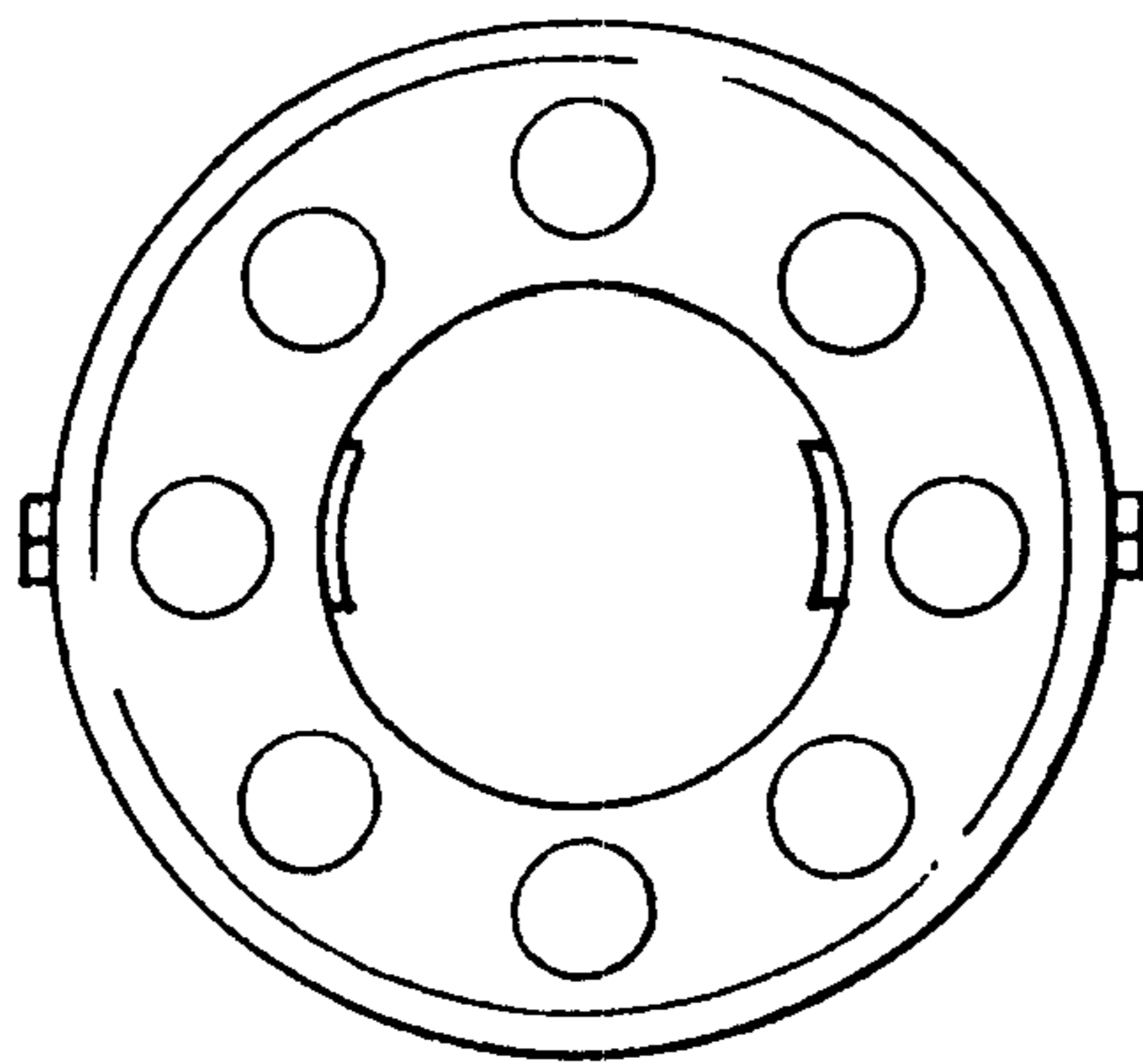


Fig. 5.