



US00D465179S

(12) **United States Design Patent**  
**Ballinger**

(10) **Patent No.:** **US D465,179 S**

(45) **Date of Patent:** **\*\* Nov. 5, 2002**

(54) **BRAKE ROTOR**

D446,756 S \* 8/2001 York ..... D12/180

(75) Inventor: **Robert S. Ballinger**, West Chester, OH  
(US)

\* cited by examiner

(73) Assignee: **Delphi Technologies, Inc.**, Troy, MI  
(US)

*Primary Examiner*—Melody N. Brown

(74) *Attorney, Agent, or Firm*—Scott A. McBain

(\*\*) Term: **14 Years**

(57) **CLAIM**

The ornamental design for a brake rotor, as shown and described.

(21) Appl. No.: **29/143,432**

**DESCRIPTION**

(22) Filed: **Jun. 13, 2001**

(51) **LOC (7) Cl.** ..... **12-16**

(52) **U.S. Cl.** ..... **D12/180**

(58) **Field of Search** ..... D12/180; 188/24.13,  
188/24.22, 344, 24.11, 209-211, 218 XL,  
73.2; 192/107 R

FIG. 1 is an inner perspective view of a first embodiment of a brake rotor;

FIG. 2 is a top view thereof;

FIG. 3 is an inner side view thereof;

FIG. 4 is an outer side view thereof;

FIG. 5 is an inner perspective view of a third embodiment of a brake rotor;

FIG. 6 is a top view thereof;

FIG. 7 is an inner side view thereof; and,

FIG. 8 is an outer side view thereof.

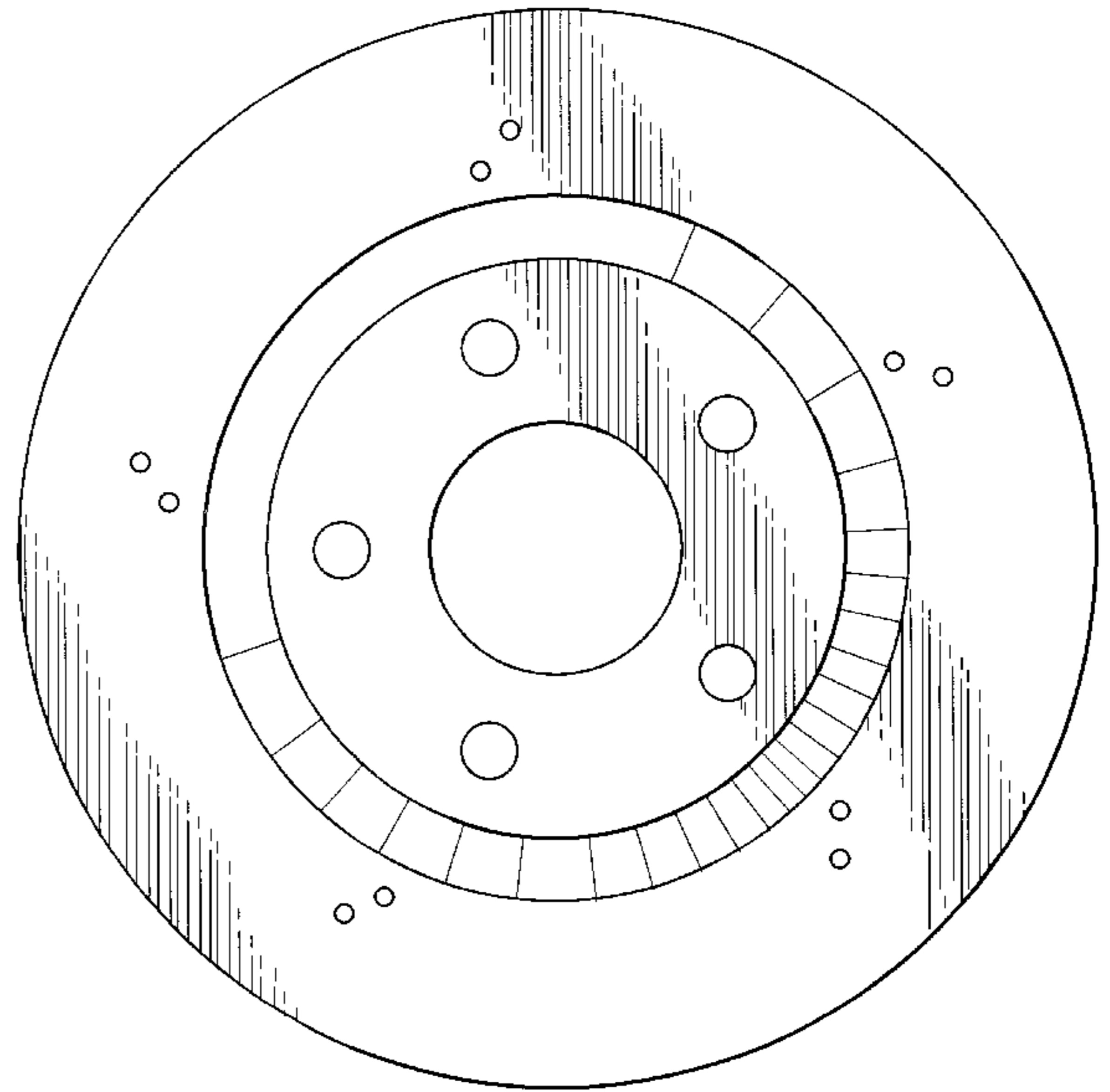
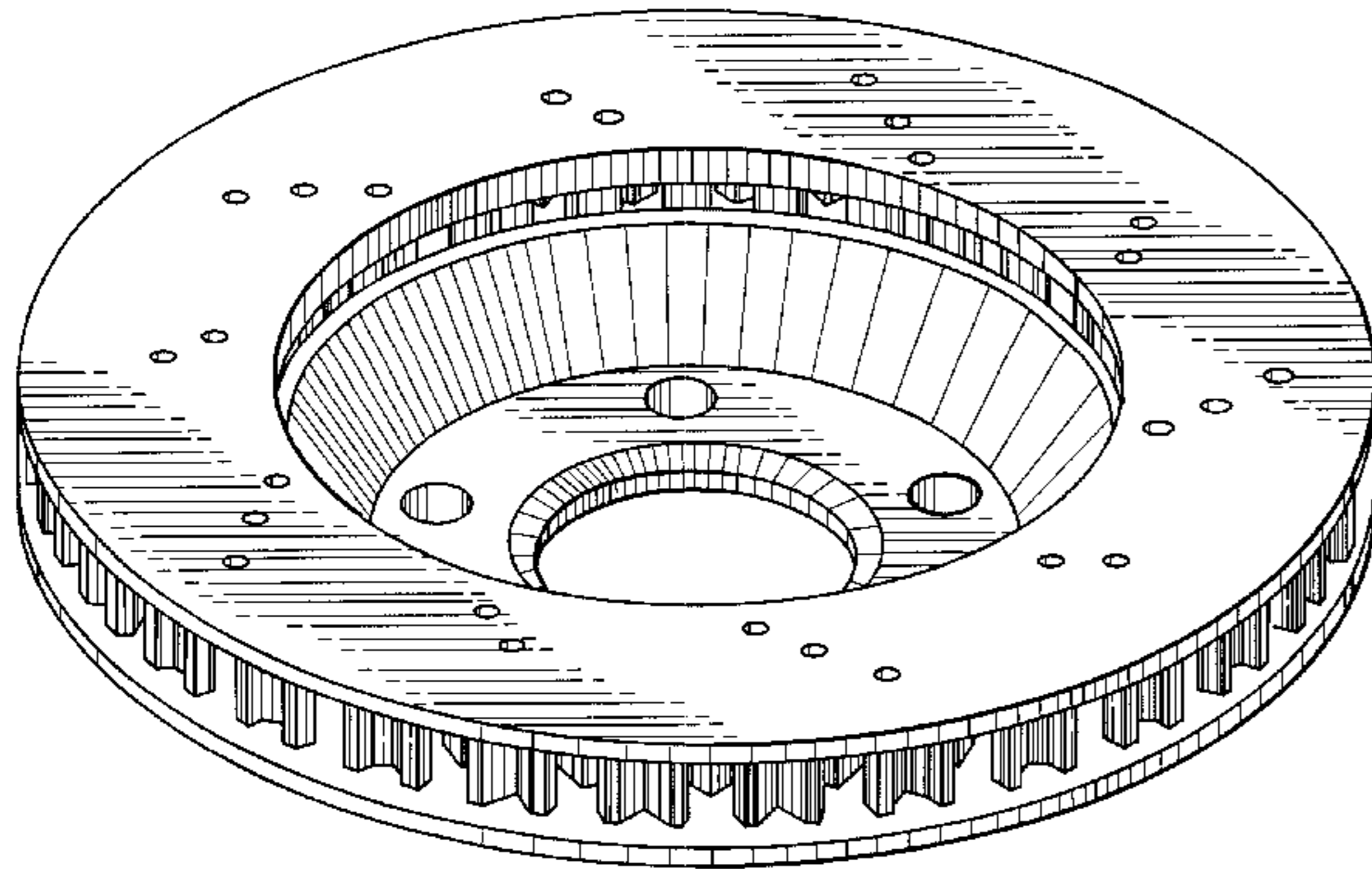
(56) **References Cited**

**U.S. PATENT DOCUMENTS**

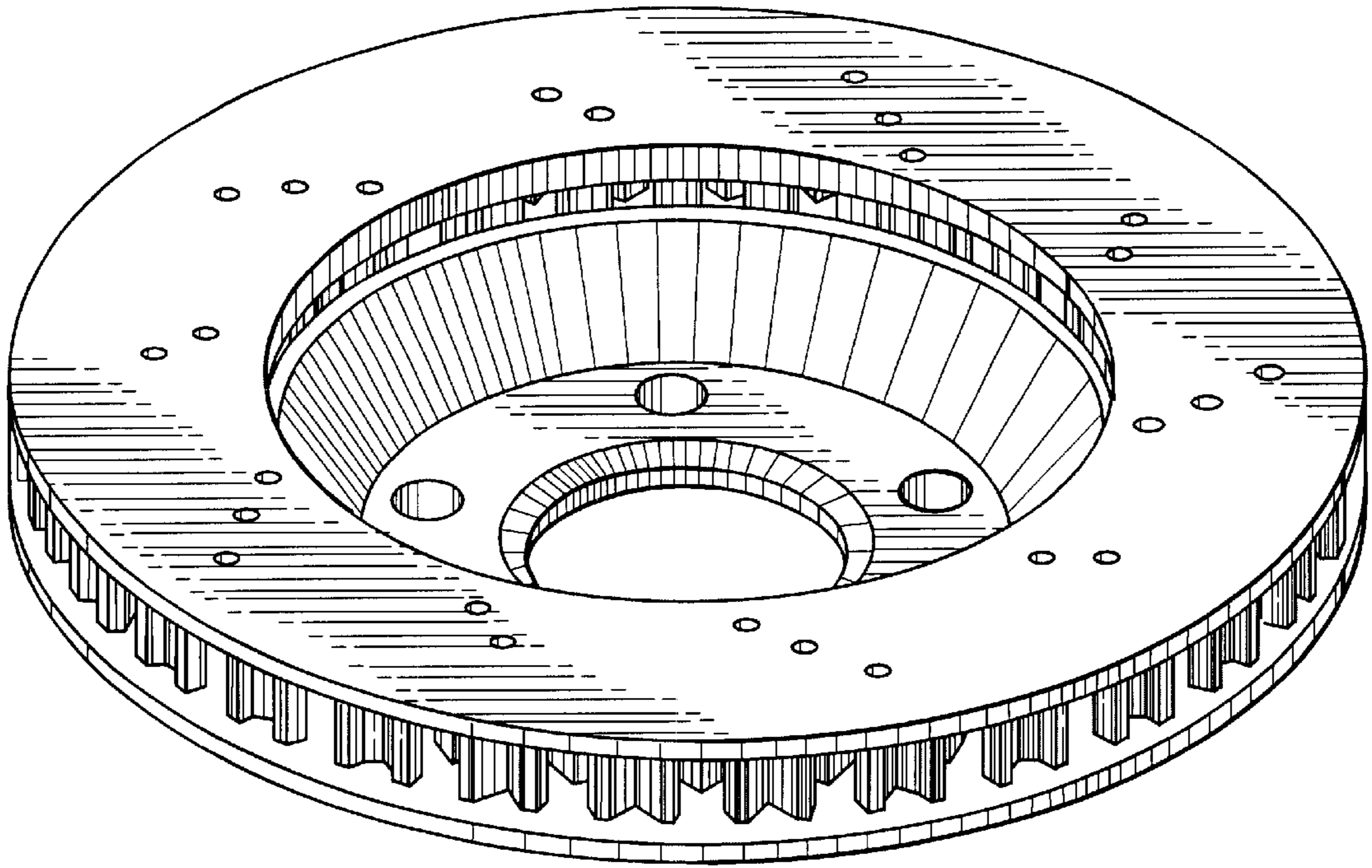
D416,526 S \* 11/1999 Hsu ..... D12/180

D420,638 S \* 2/2000 Uenohara et al. .... D12/180

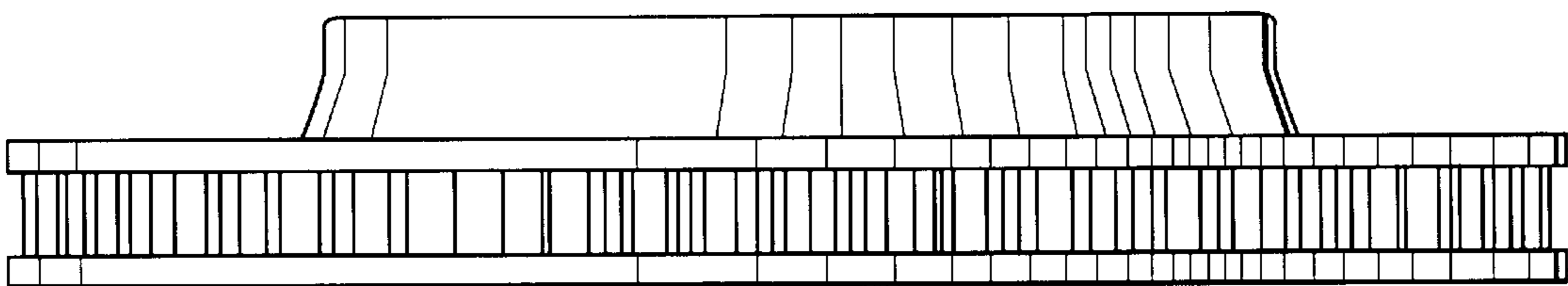
**1 Claim, 6 Drawing Sheets**



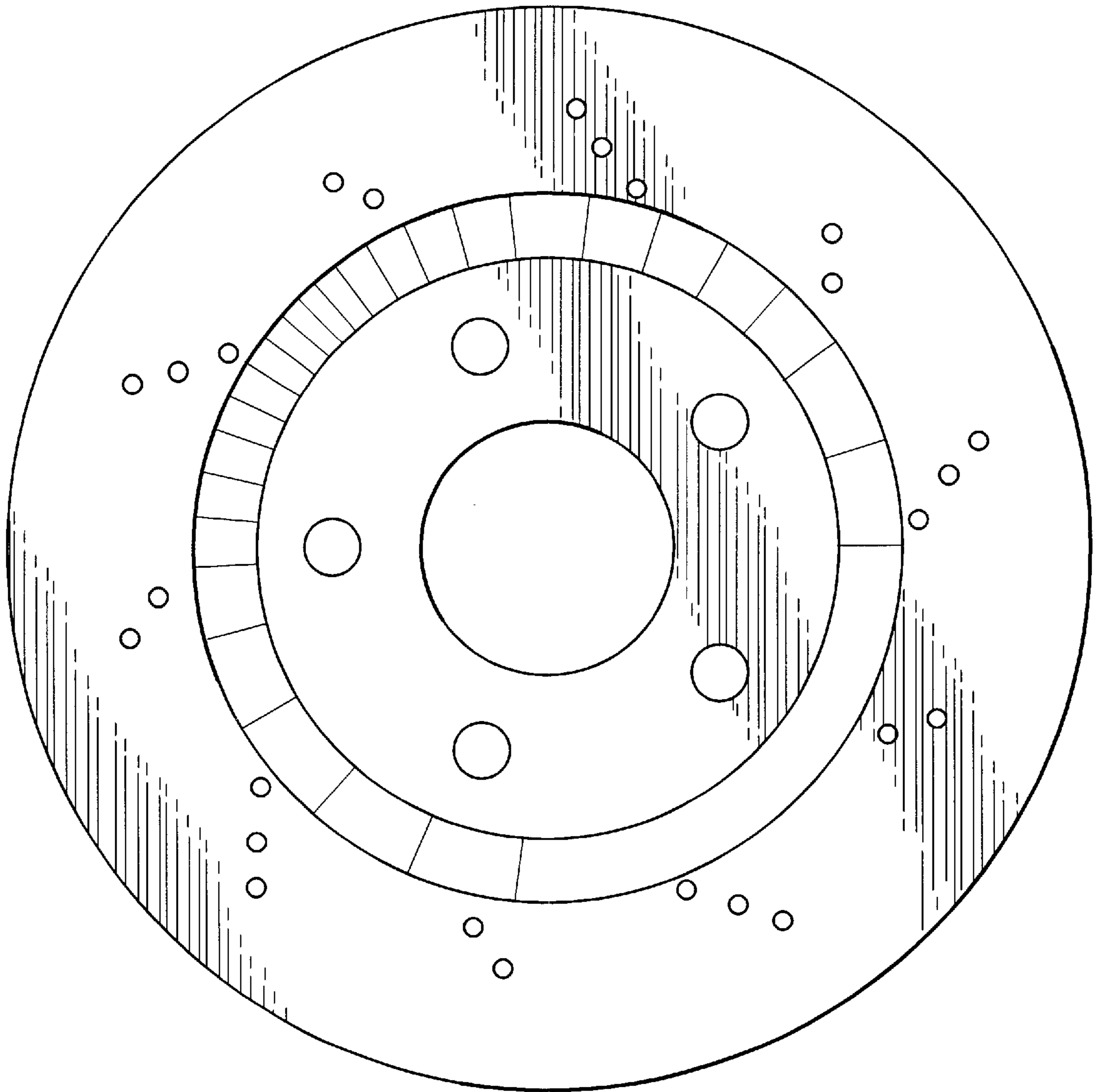
*Fig. 1*



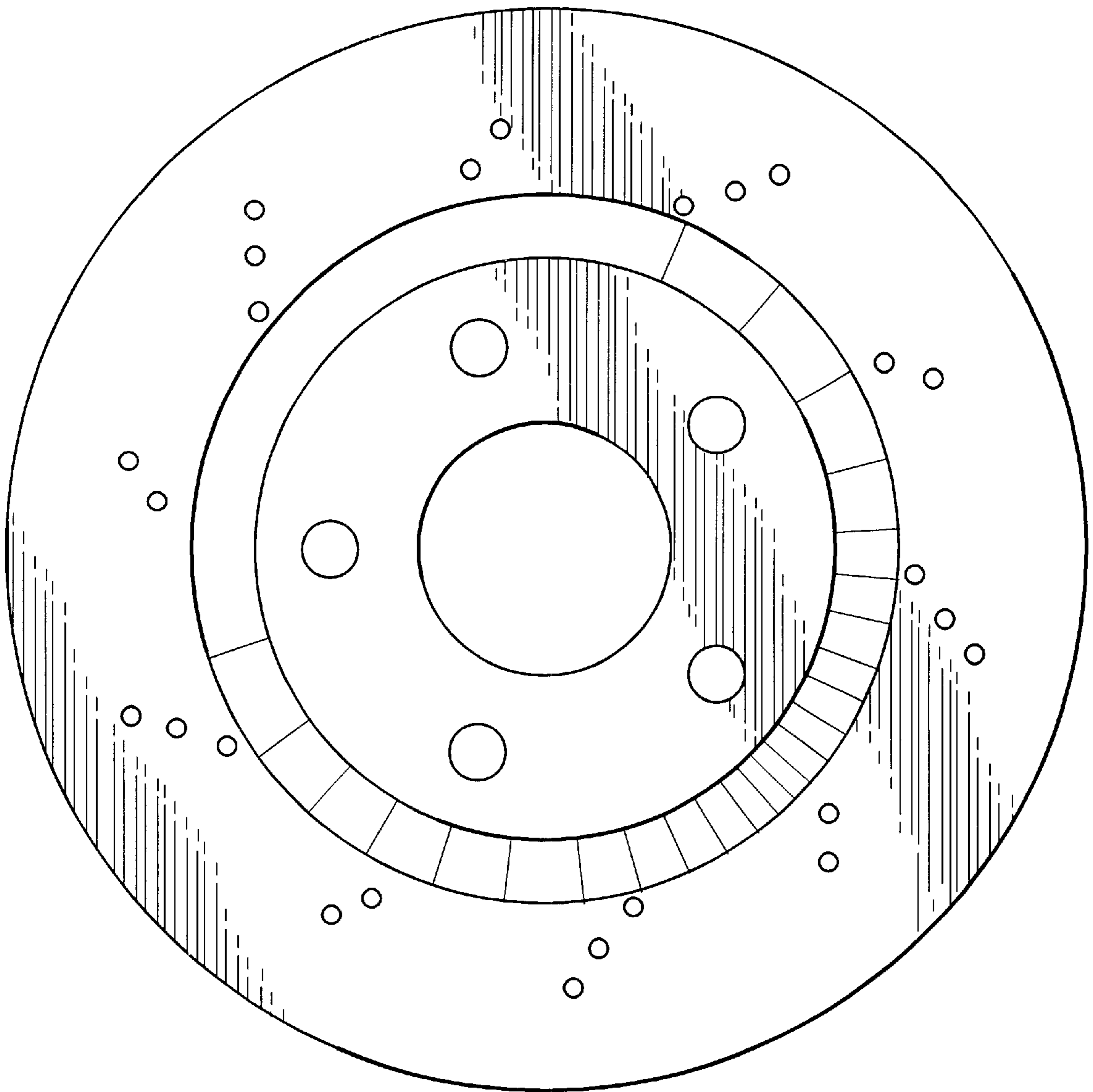
*Fig. 2*



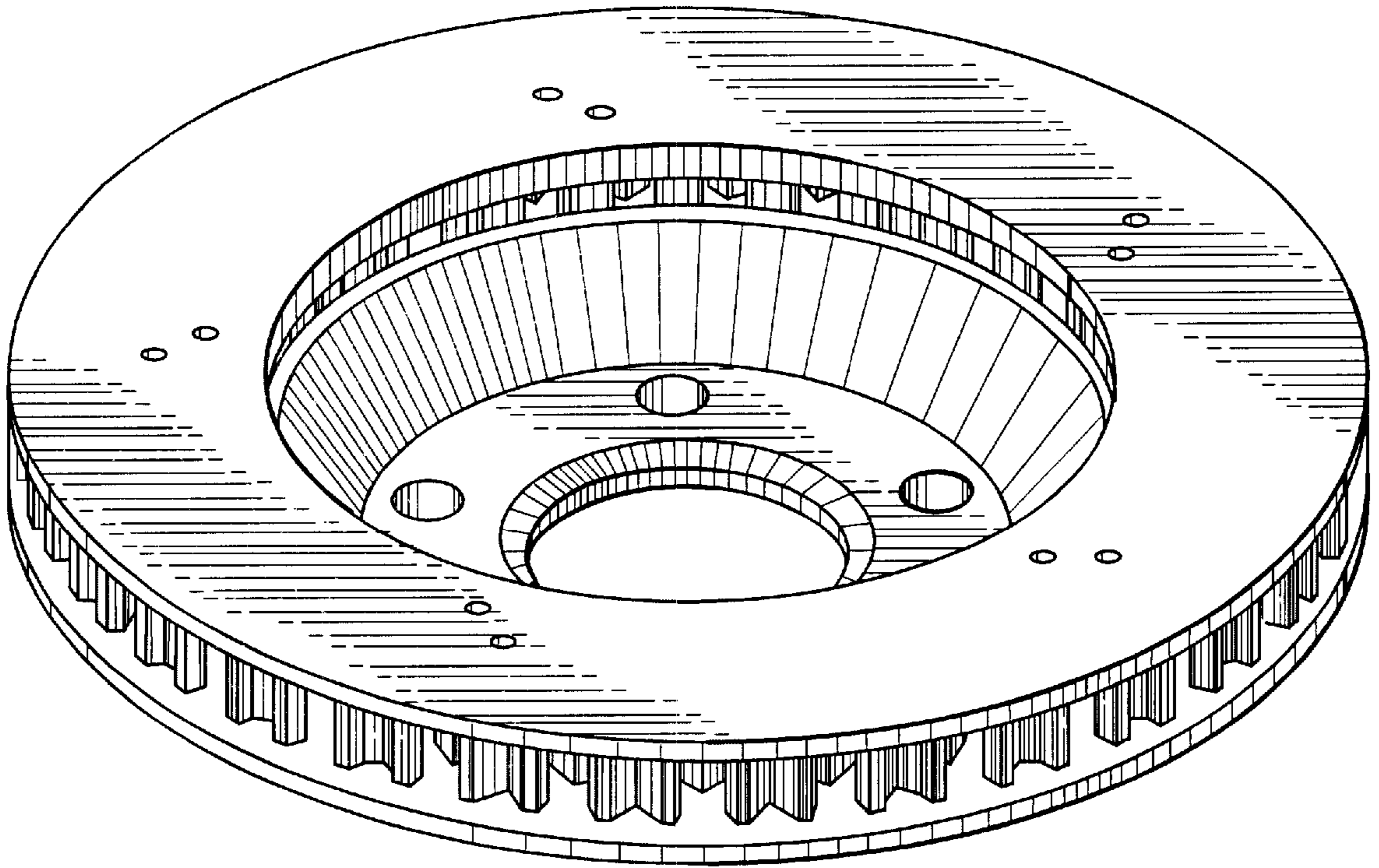
*Fig. 3*



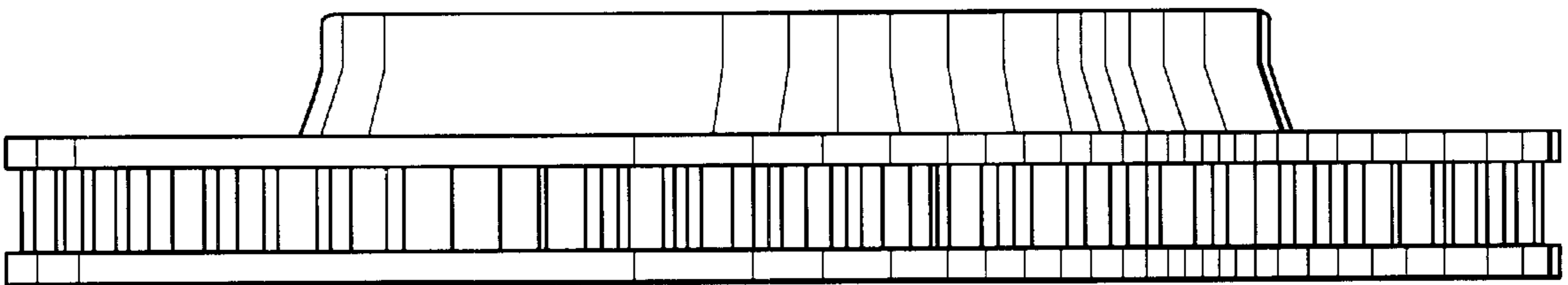
*Fig. 4*



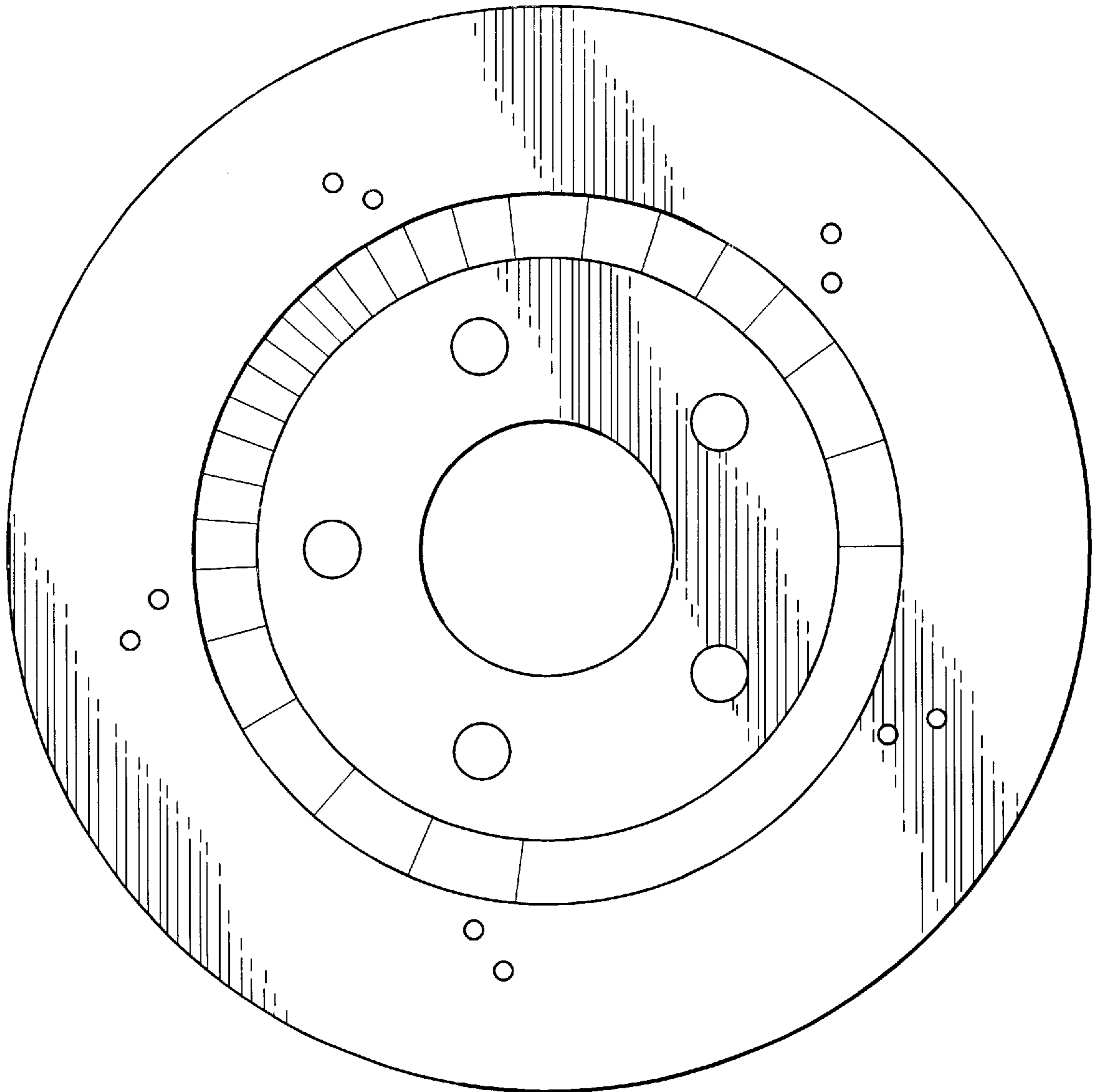
*Fig. 5*



*Fig. 6*



*Fig. 7*



*Fig. 8*

