



US00D465178S

(12) **United States Design Patent**
Hart

(10) **Patent No.:** **US D465,178 S**

(45) **Date of Patent:** **** Nov. 5, 2002**

(54) **SEAT MOUNTABLE TO A STANDING STRUCTURE**

Primary Examiner—Marcus A. Jackson
(74) *Attorney, Agent, or Firm*—Christopher L. Makay

(76) **Inventor:** **Donald Timothy Hart**, 10941 Whisper Valley, San Antonio, TX (US) 78230

(57) **CLAIM**

(**) **Term:** **14 Years**

The ornamental design for a seat mountable to a standing structure, as shown and described.

(21) **Appl. No.:** **29/157,793**

DESCRIPTION

(22) **Filed:** **Mar. 26, 2002**

FIG. 1 is a perspective view of the seat mountable to a standing structure.

(51) **LOC (7) Cl.** **12-12**

FIG. 2 is a top plan view thereof.

(52) **U.S. Cl.** **D12/133**

FIG. 3 is a front elevation view thereof.

(58) **Field of Search** D12/128-133;
D21/534; 280/202, 204, 218, 87.01, 87.02,
87.042, 87.043

FIG. 4 is a left side elevation view thereof.

FIG. 5 is a right side elevation view thereof.

FIG. 6 is a rear elevation view of thereof.

FIG. 7 is a bottom plan view thereof; and,

FIG. 8 is a perspective view thereof illustrating the seat mounted to a standing structure.

(56) **References Cited**

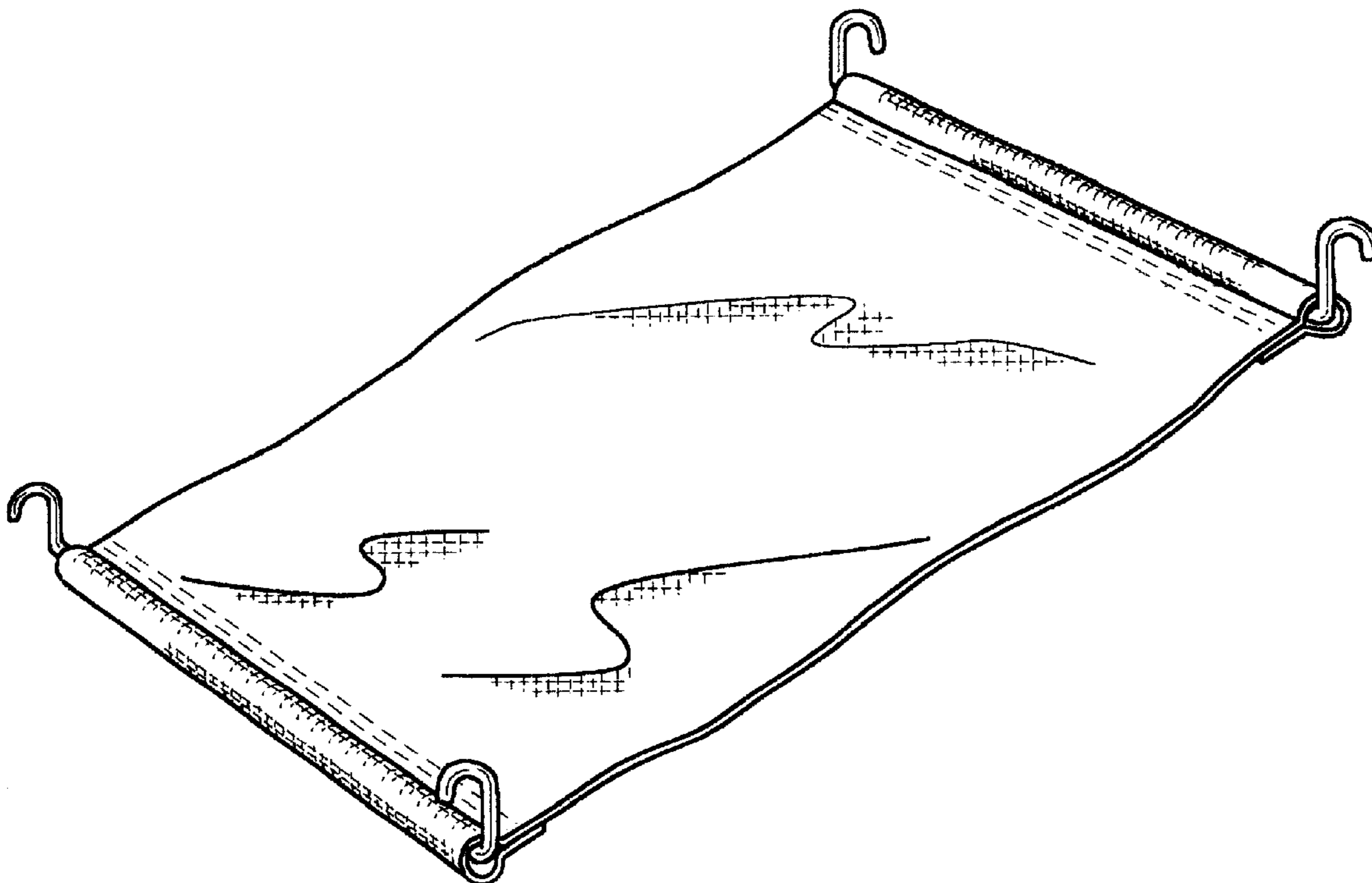
U.S. PATENT DOCUMENTS

D426,177 S * 6/2000 Lundh D12/133

D457,111 S * 5/2002 Galleguillos D12/133

* cited by examiner

1 Claim, 3 Drawing Sheets



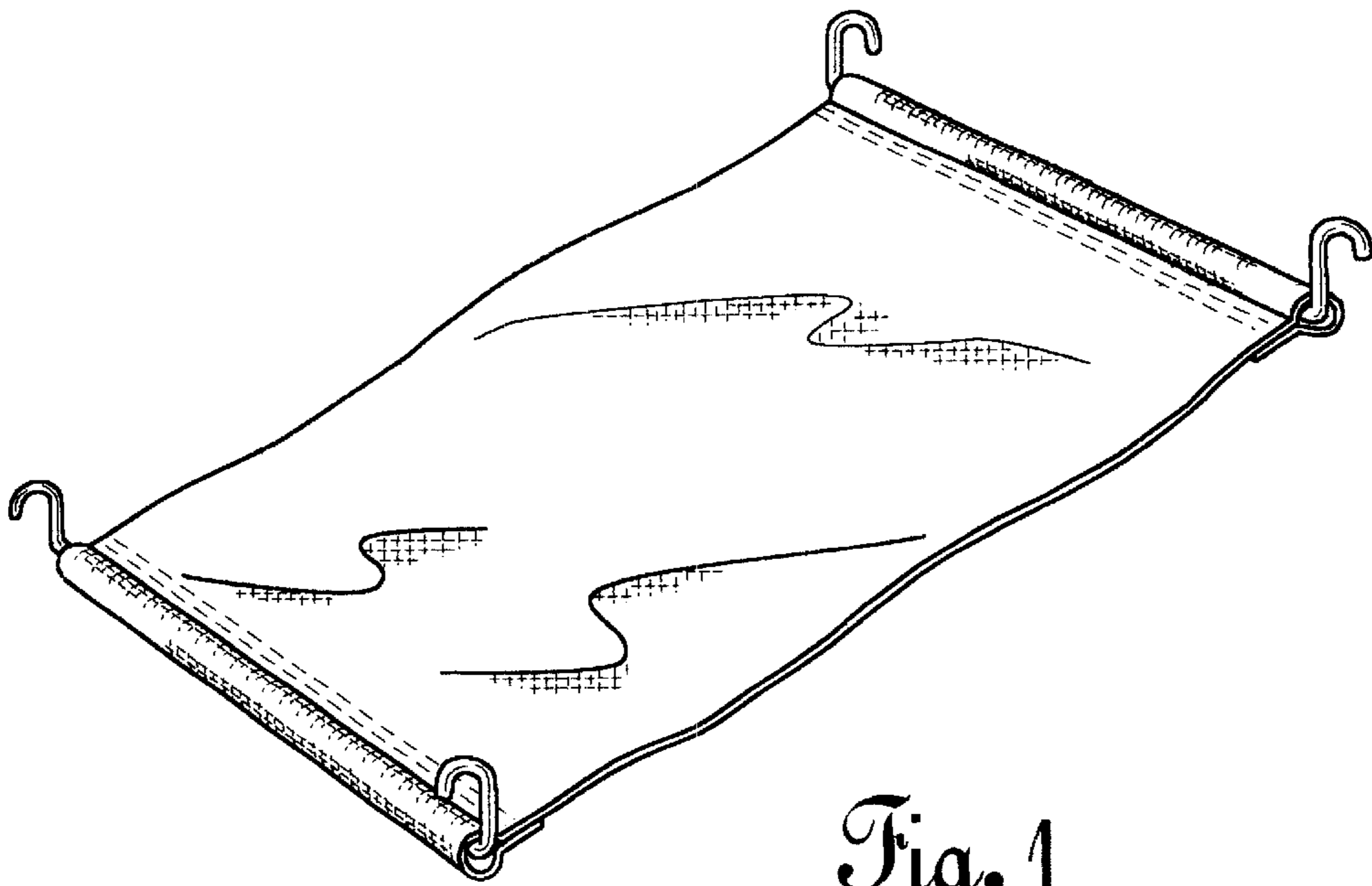


Fig. 1

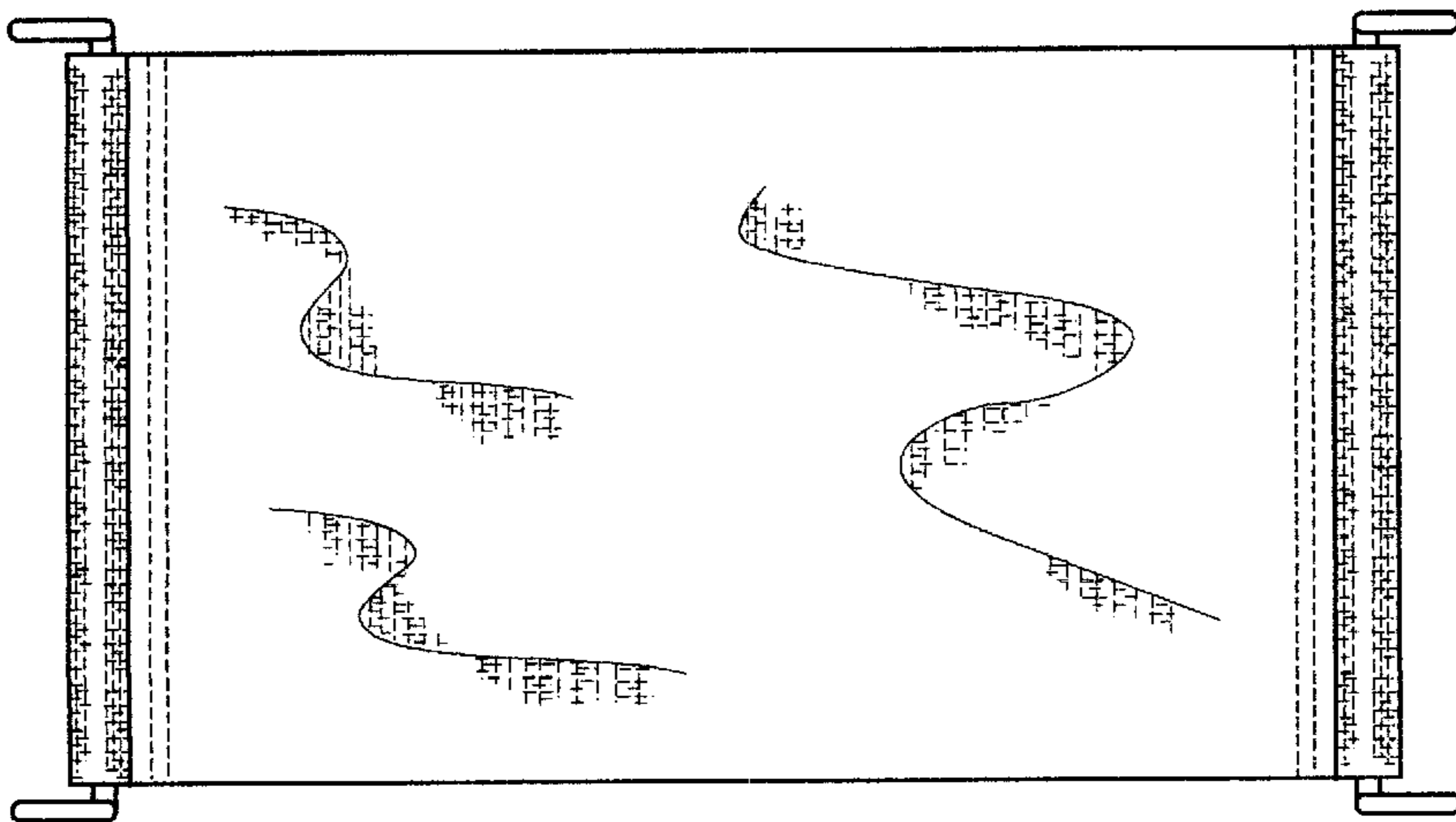


Fig. 2

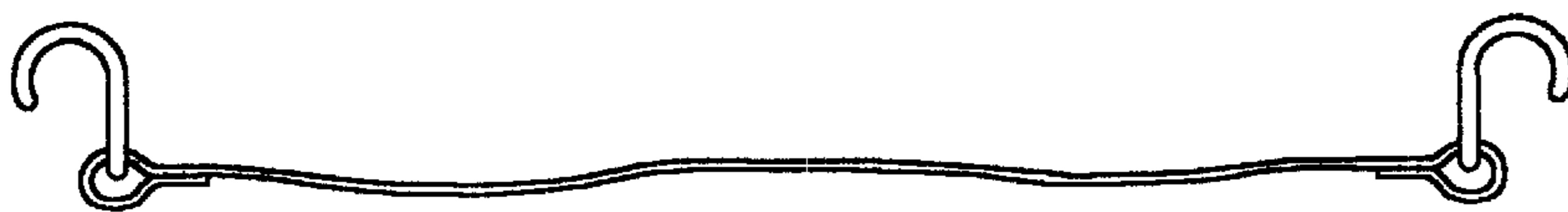


Fig. 3

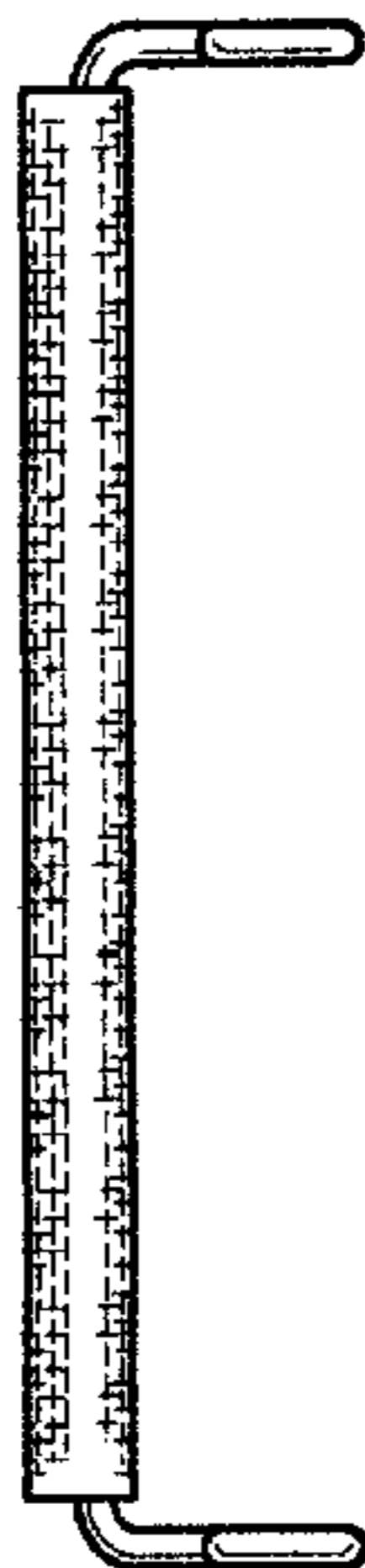


Fig. 4



Fig. 5

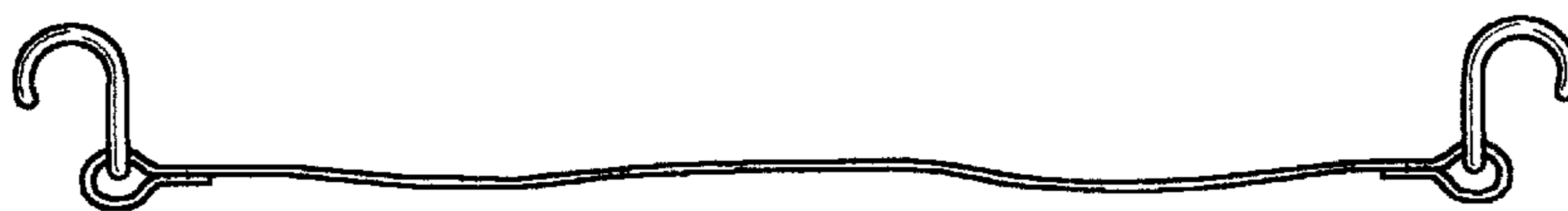


Fig. 6

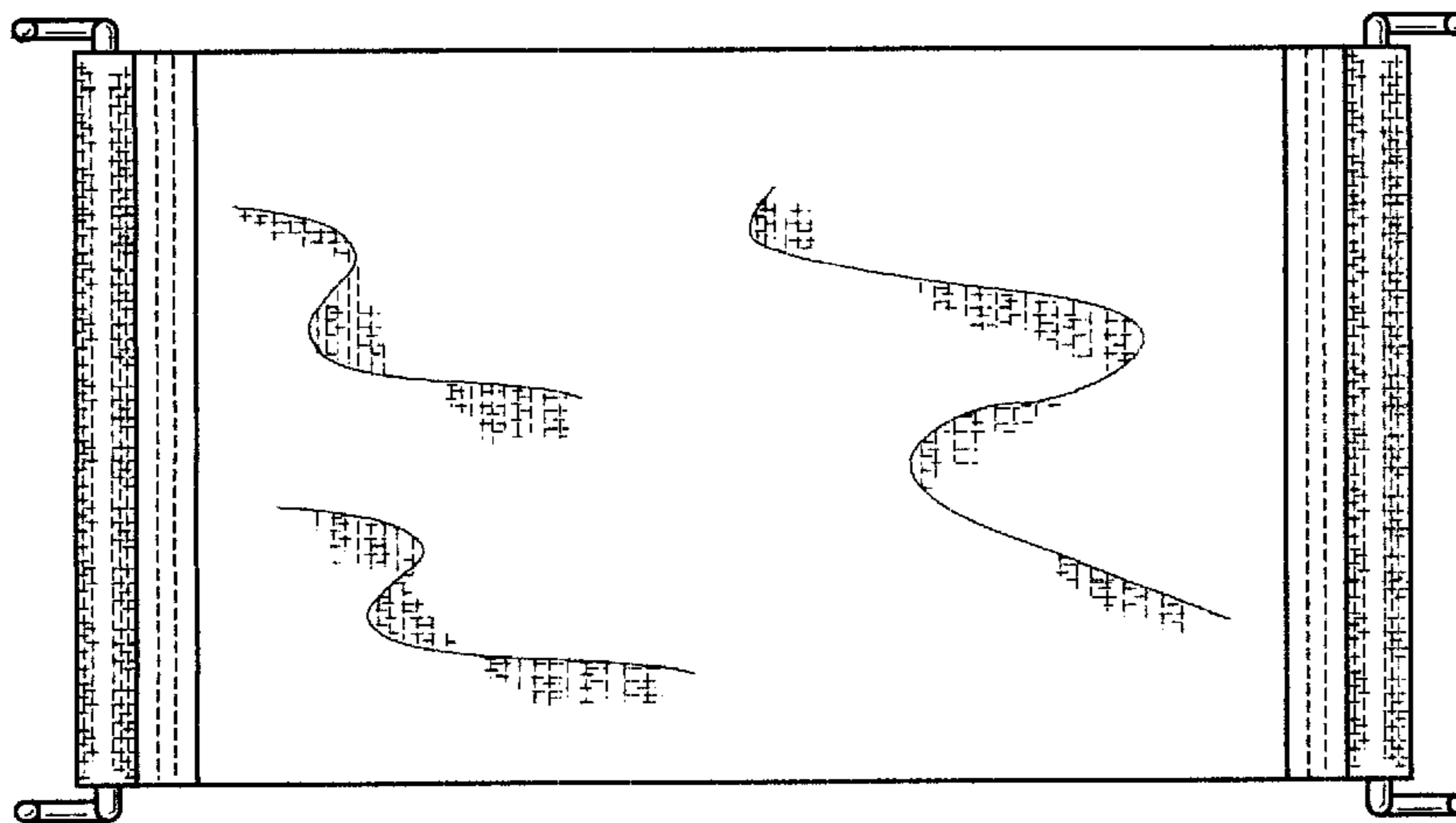


Fig. 7

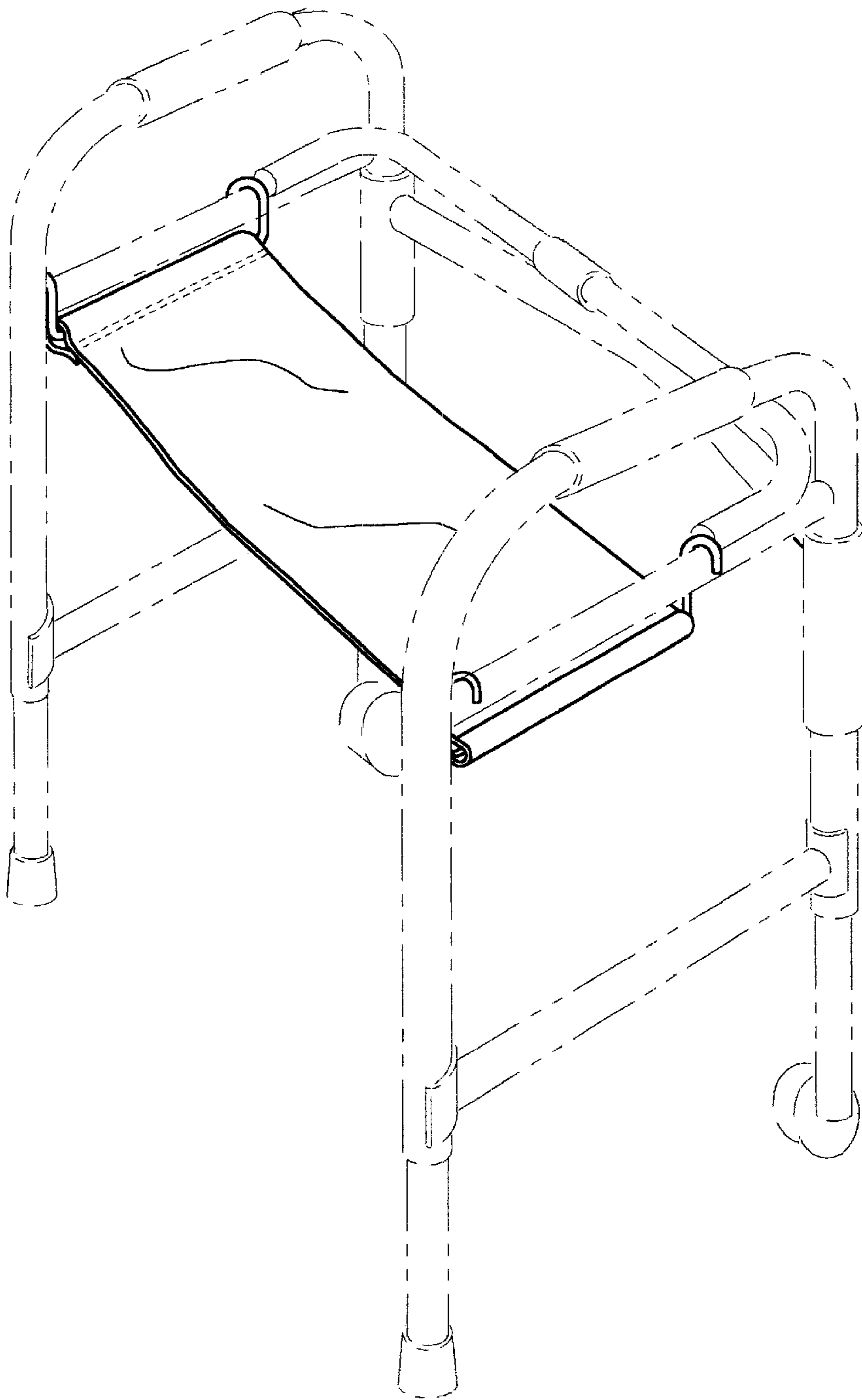


Fig. 8