



US00D465177S

(12) **United States Design Patent**
Daurelle et al.

(10) **Patent No.:** **US D465,177 S**

(45) **Date of Patent:** **** Nov. 5, 2002**

(54) **BUS FRONT PORTION**

D305,623 S * 1/1990 Gallitzendoerfer et al. .. D12/84

D376,562 S * 12/1996 Seale et al. D12/84

D442,888 S * 5/2001 Papke et al. D12/84

(75) Inventors: **Jean-François Daurelle**, Vienne (FR);
Jean Gilbert, Cirieres (FR)

* cited by examiner

(73) Assignee: **Irisbus France (Societe Anonyme)**,
Venissieux (FR)

Primary Examiner—Melody N. Brown

(74) *Attorney, Agent, or Firm*—Ladas & Parry

(**) Term: **14 Years**

(57) **CLAIM**

(21) Appl. No.: **29/149,370**

The ornamental design for a bus front portion, substantially as shown.

(22) Filed: **Oct. 9, 2001**

(30) **Foreign Application Priority Data**

DESCRIPTION

Apr. 12, 2001 (XH) DM/055 897

FIG. 1 is a front view of our new design relating to a bus front portion;

(51) **LOC (7) Cl.** **12-08**

FIG. 2 is a perspective left side view thereof;

(52) **U.S. Cl.** **D12/84**

FIG. 3 is a perspective right side view thereof;

(58) **Field of Search** D12/84, 82; 296/178

FIG. 4 is a left side view thereof;

FIG. 5 is a right side view thereof; and,

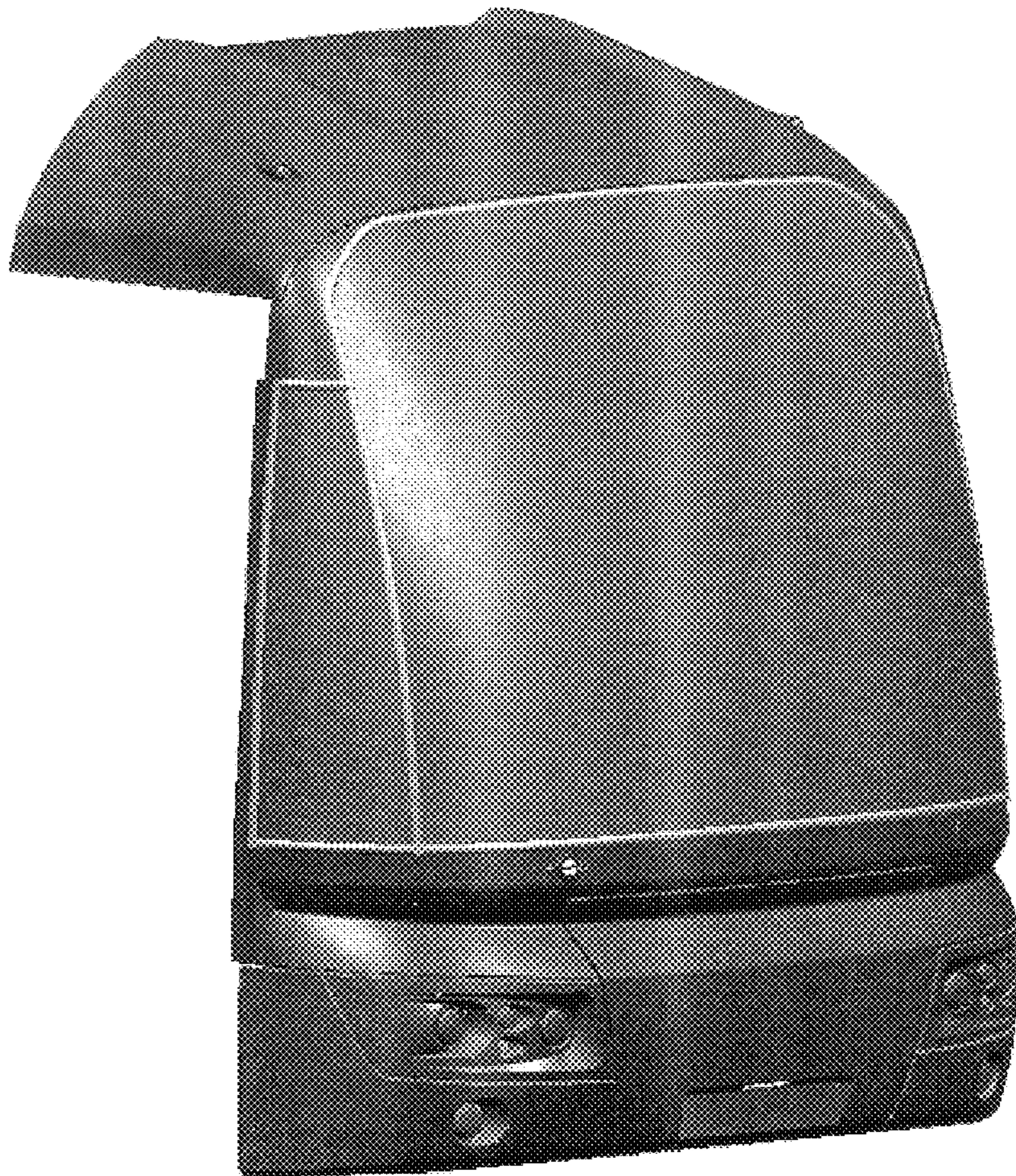
(56) **References Cited**

FIG. 6 is a top plan view in perspective thereof.

U.S. PATENT DOCUMENTS

D268,997 S * 5/1983 Dubernard D12/84

1 Claim, 6 Drawing Sheets



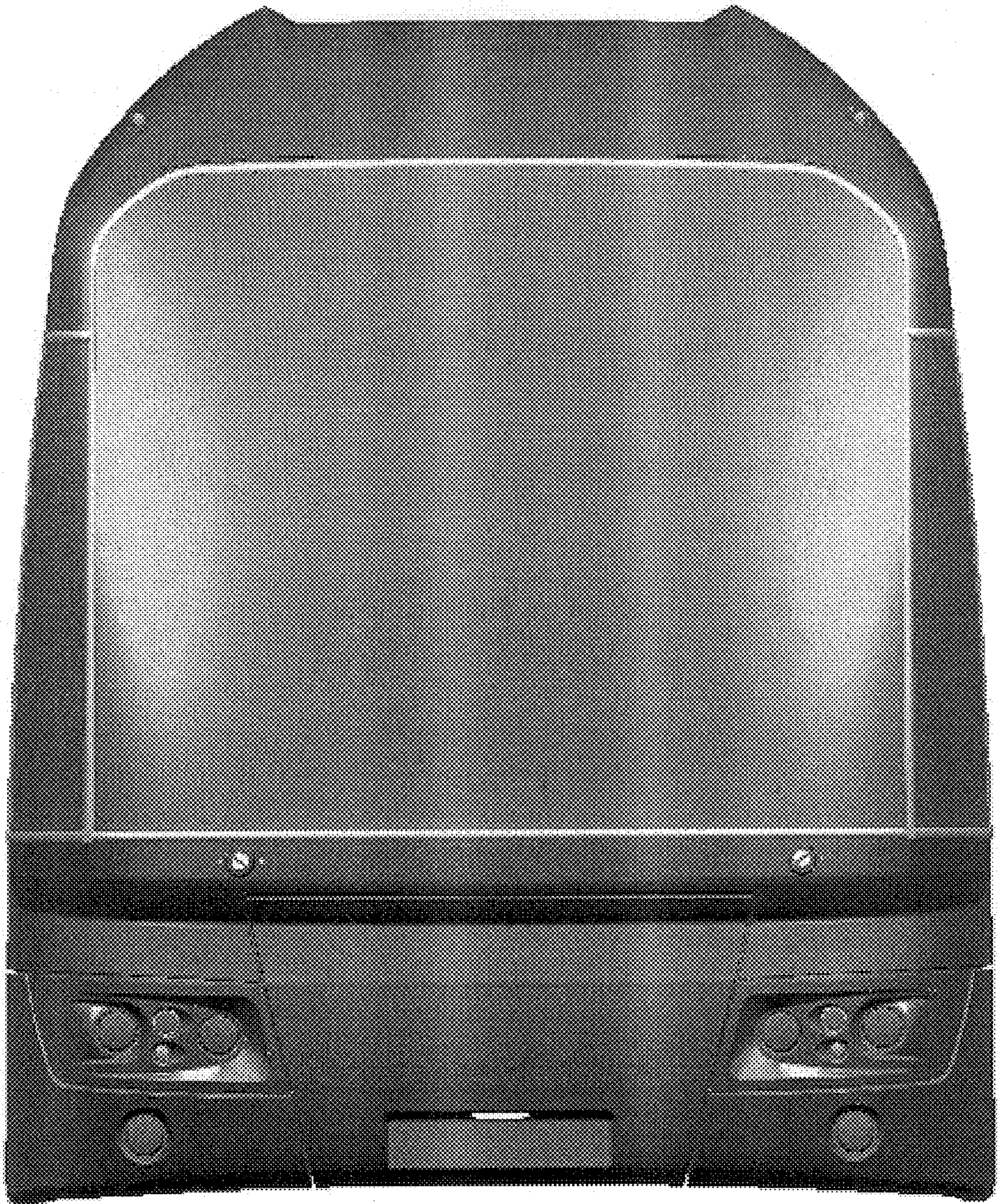


FIGURE 1

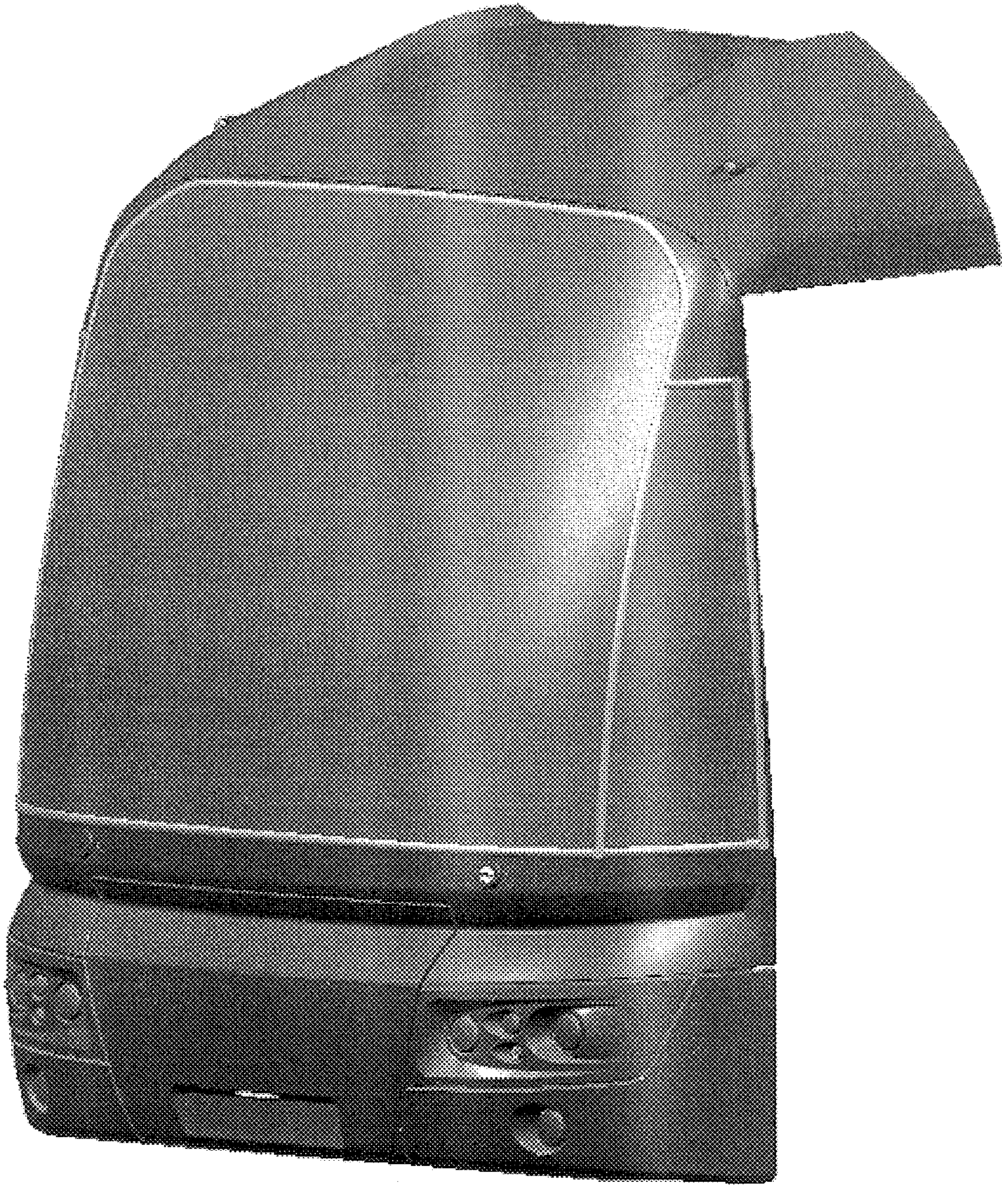


FIGURE 2



FIGURE 3

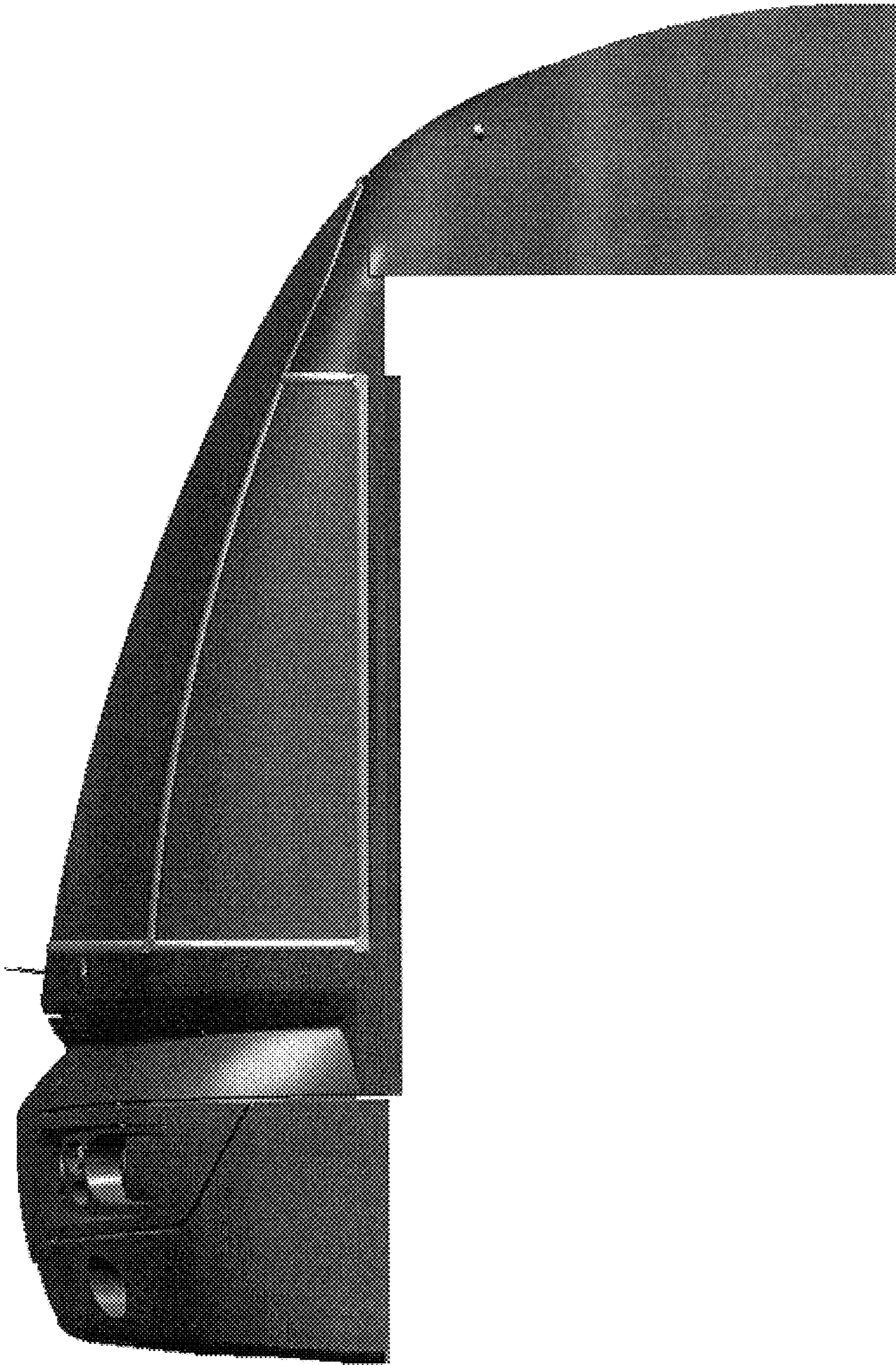


FIGURE 4

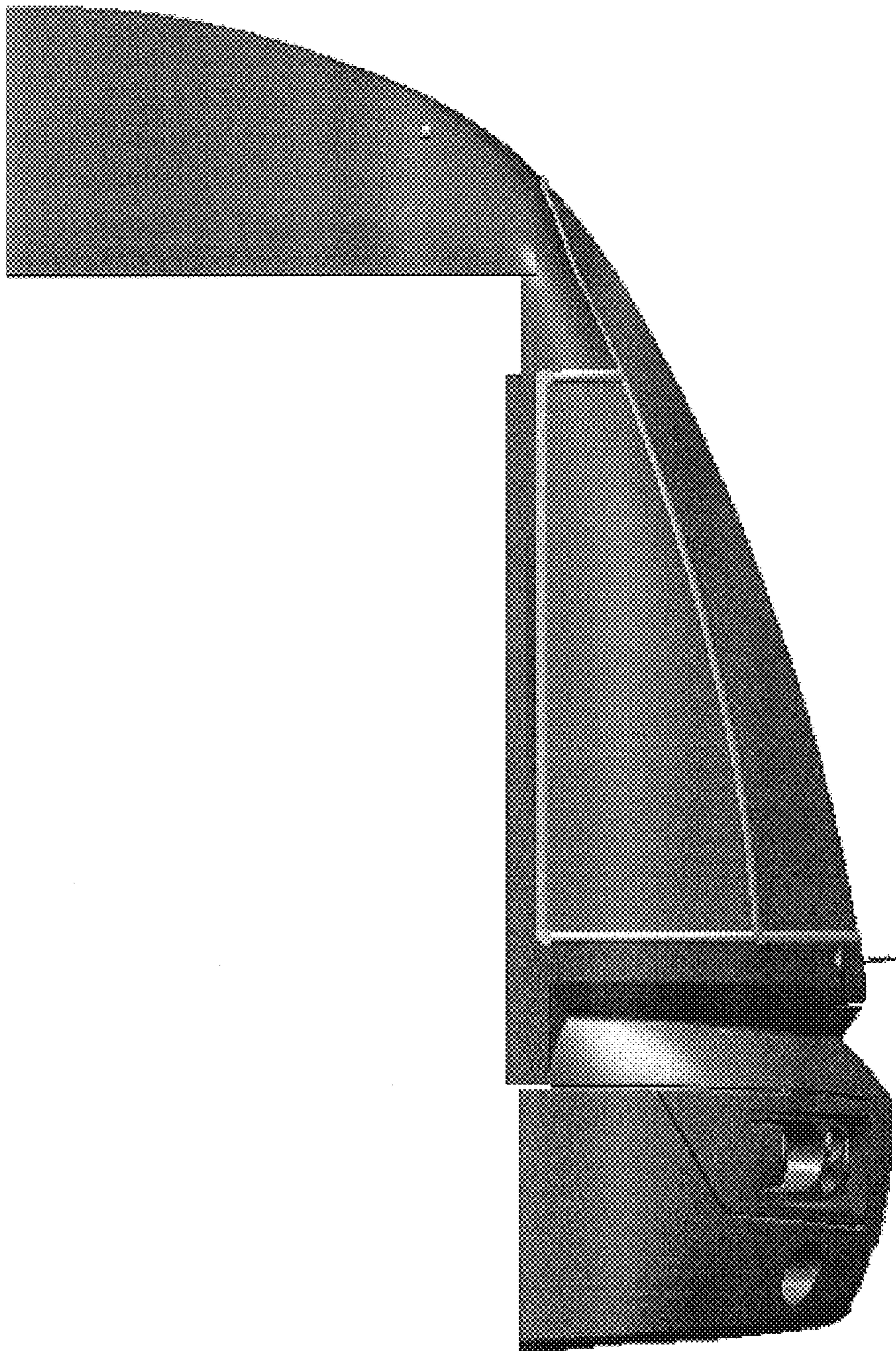


FIGURE 5

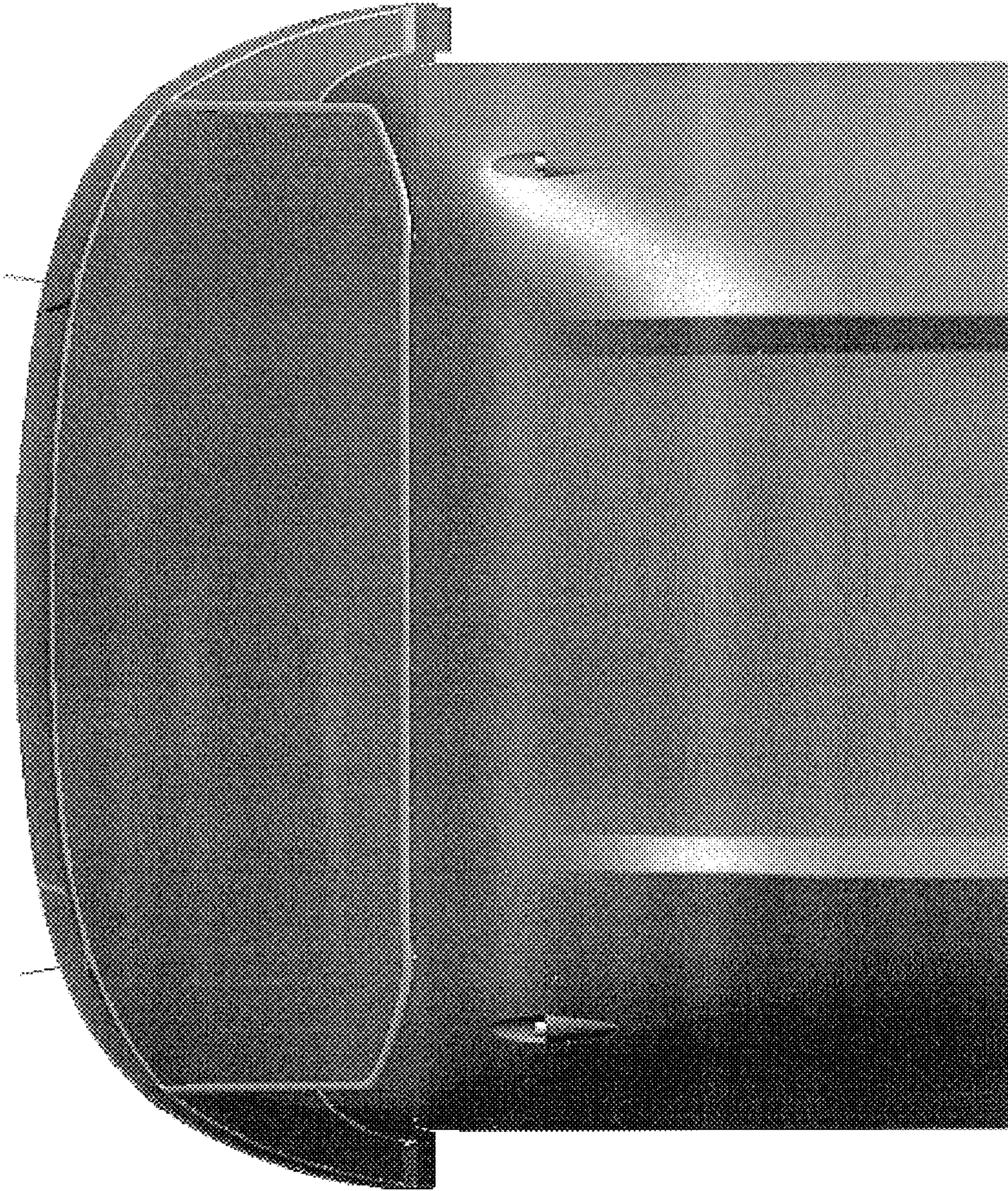


FIGURE 6

UNITED STATES PATENT AND TRADEMARK OFFICE
CERTIFICATE OF CORRECTION

PATENT NO. : Des. 465,177 S
DATED : November 5, 2002
INVENTOR(S) : Jean-Francois Daurelle et al.

Page 1 of 1

It is certified that error appears in the above-identified patent and that said Letters Patent is hereby corrected as shown below:

Title page,
Item [73], "Venissibux" should read -- Venissieux --.

Signed and Sealed this

Twenty-seventh Day of May, 2003

A handwritten signature in black ink, appearing to read "James E. Rogan", with a horizontal line underneath it.

JAMES E. ROGAN
Director of the United States Patent and Trademark Office