



US00D465175S

(12) **United States Design Patent**
Intag

(10) **Patent No.:** **US D465,175 S**

(45) **Date of Patent:** **** Nov. 5, 2002**

(54) **CLOTHES CORD QUICK FASTENING LOCK**

(76) Inventor: **Dominic T. Intag**, 4811 S. Lindbergh Blvd., St. Louis, MO (US) 63126

(**) Term: **14 Years**

(21) Appl. No.: **29/120,064**

(22) Filed: **Mar. 14, 2000**

(51) **LOC (7) Cl.** **02-07**

(52) **U.S. Cl.** **D11/214**

(58) **Field of Search** D11/200-218;
24/30.5 R, 129 D, 712, 713, 714, 715,
3.11, 3.12, 300, 301, 302, 455, 456; 2/71,
72, 265, 266

(56) **References Cited**

U.S. PATENT DOCUMENTS

200,665 A	*	2/1878	Ottinger	24/129 D
219,434 A	*	9/1879	Barron	24/114.5
4,290,173 A		9/1981	Herlau		
4,514,882 A		5/1985	Lavielle		
4,787,660 A		11/1988	Mrazek		
4,790,048 A		12/1988	Arnt		
4,896,403 A		1/1990	Vouro		
4,939,820 A		7/1990	Babcock		
4,967,454 A		11/1990	Elieff		
5,144,695 A	*	9/1992	Schweizer	2/271
5,182,838 A		2/1993	Stenner		

5,467,511 A		11/1995	Kubo		
5,517,729 A	*	5/1996	Shaffer	24/30.5 R
5,577,306 A		11/1996	Gold		
5,611,118 A	*	3/1997	Bibbee	24/300
5,715,578 A	*	2/1998	Knudson	24/301
5,791,022 A		8/1998	Bohman		

* cited by examiner

Primary Examiner—Cathy Anne MacCormac
(74) *Attorney, Agent, or Firm*—Kevin L. Klug

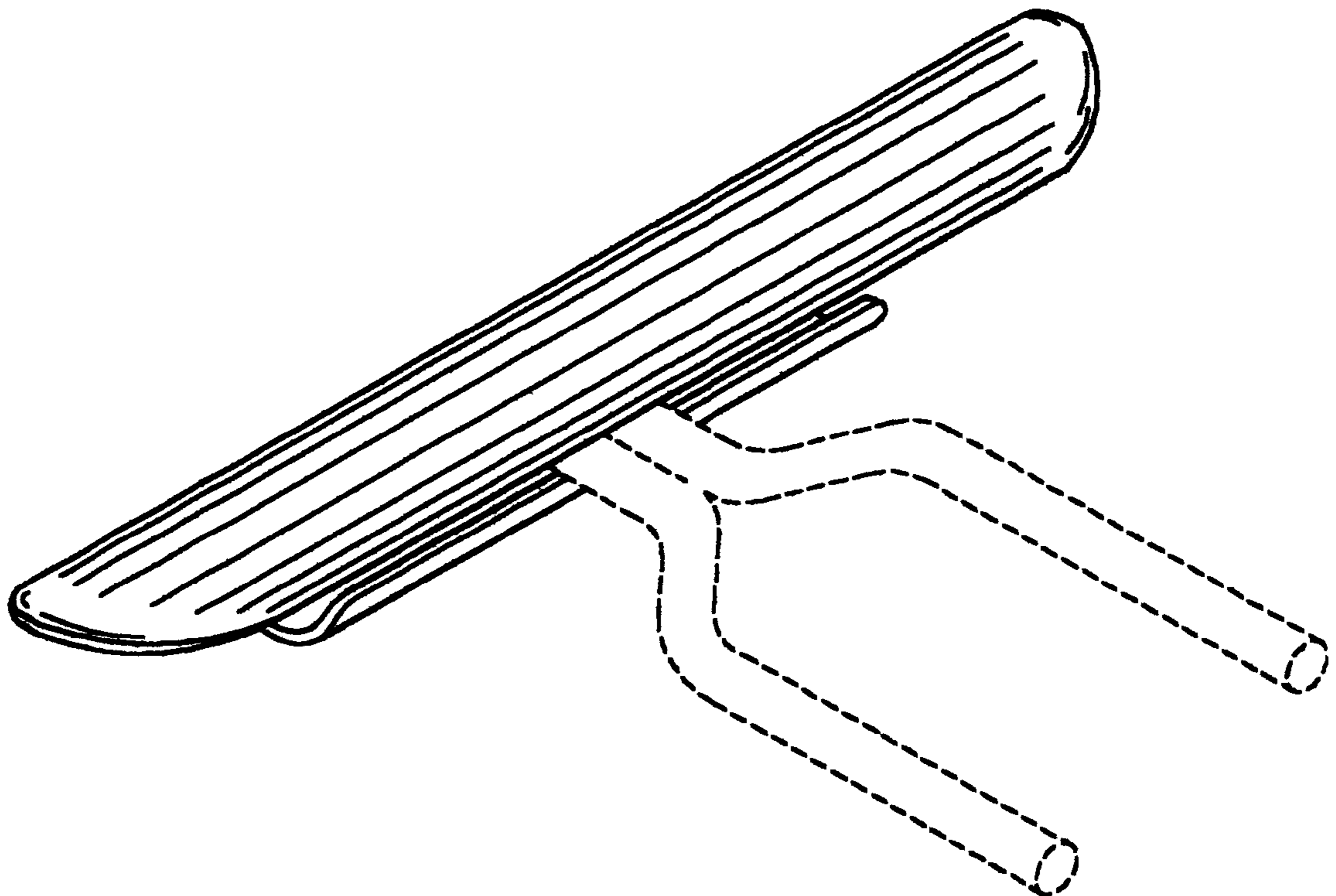
(57) **CLAIM**

The ornamental design for a clothes cord quick fastening lock, as shown and described.

DESCRIPTION

FIG. 1 is a top, front perspective view of a clothes cord quick fastening lock showing my new design;
 FIG. 2 is another perspective view thereof;
 FIG. 3 is a front elevation view thereof;
 FIG. 4 is a rear elevation view thereof showing the hole through which a cord may be placed;
 FIG. 5 is a right side elevation view thereof, the left side is a mirror image;
 FIG. 6 is a bottom plan view thereof; and,
 FIG. 7 is a top plan view thereof.
 The broken lines in FIGS. 1 and 2 are for purposes of illustration only and form no part of the claimed design.

1 Claim, 5 Drawing Sheets



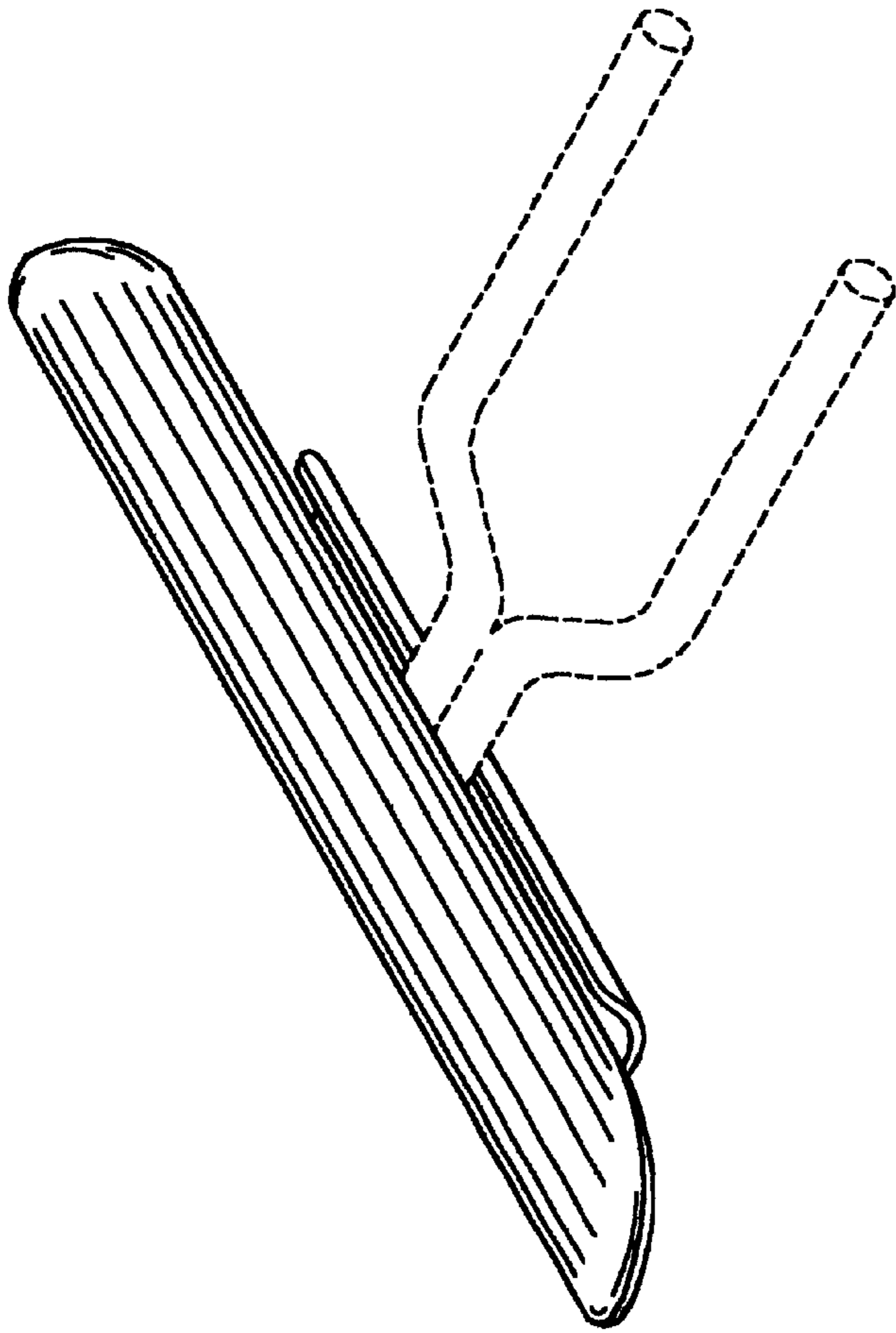


FIGURE 1

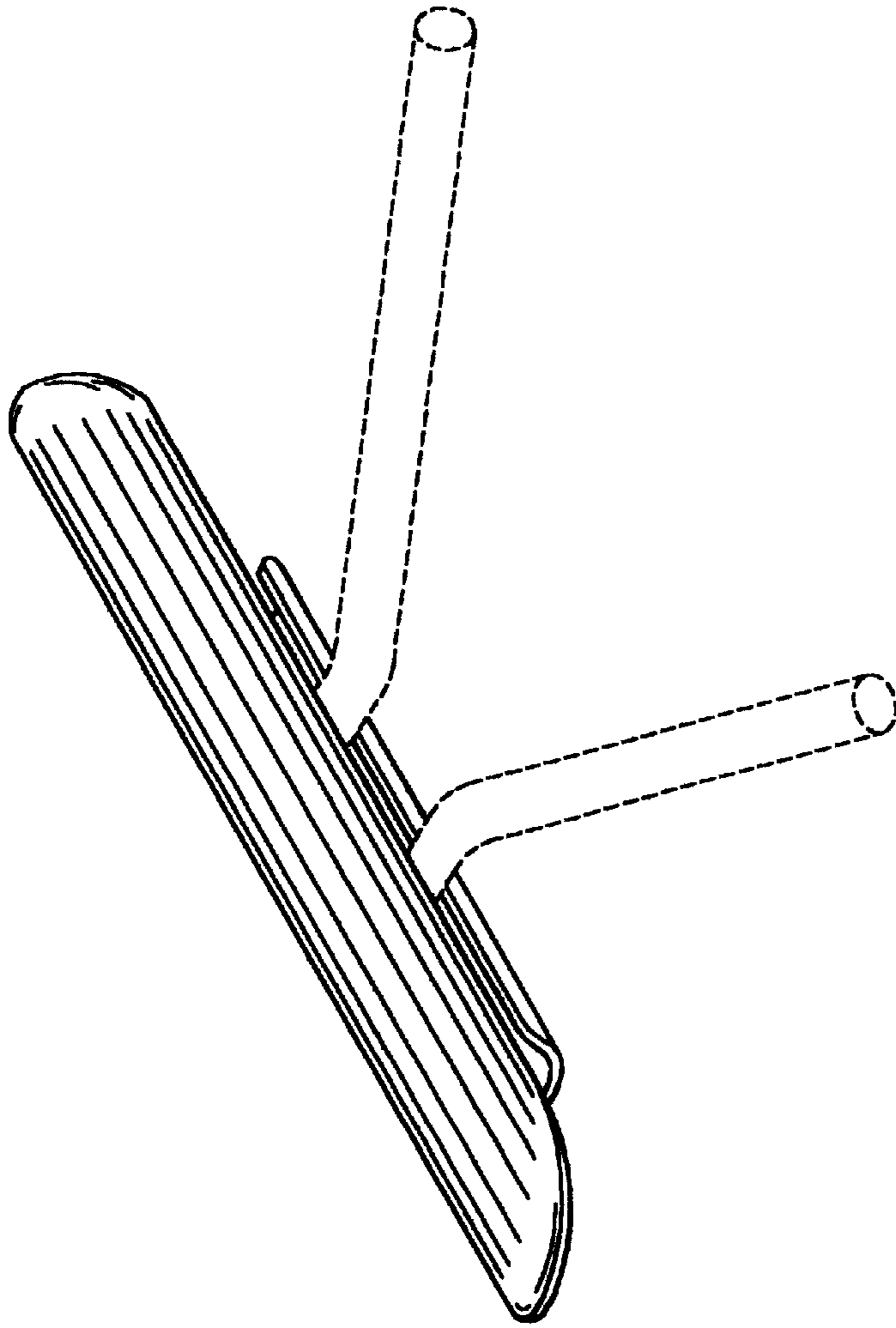


FIGURE 2

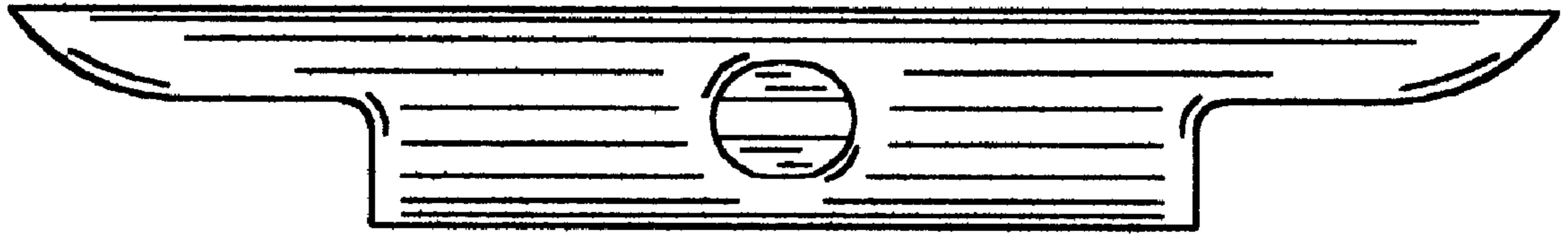


FIGURE 4

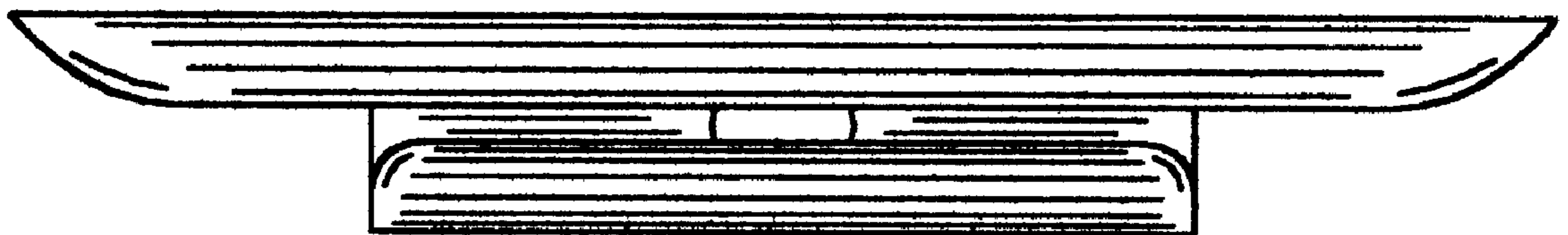


FIGURE 3

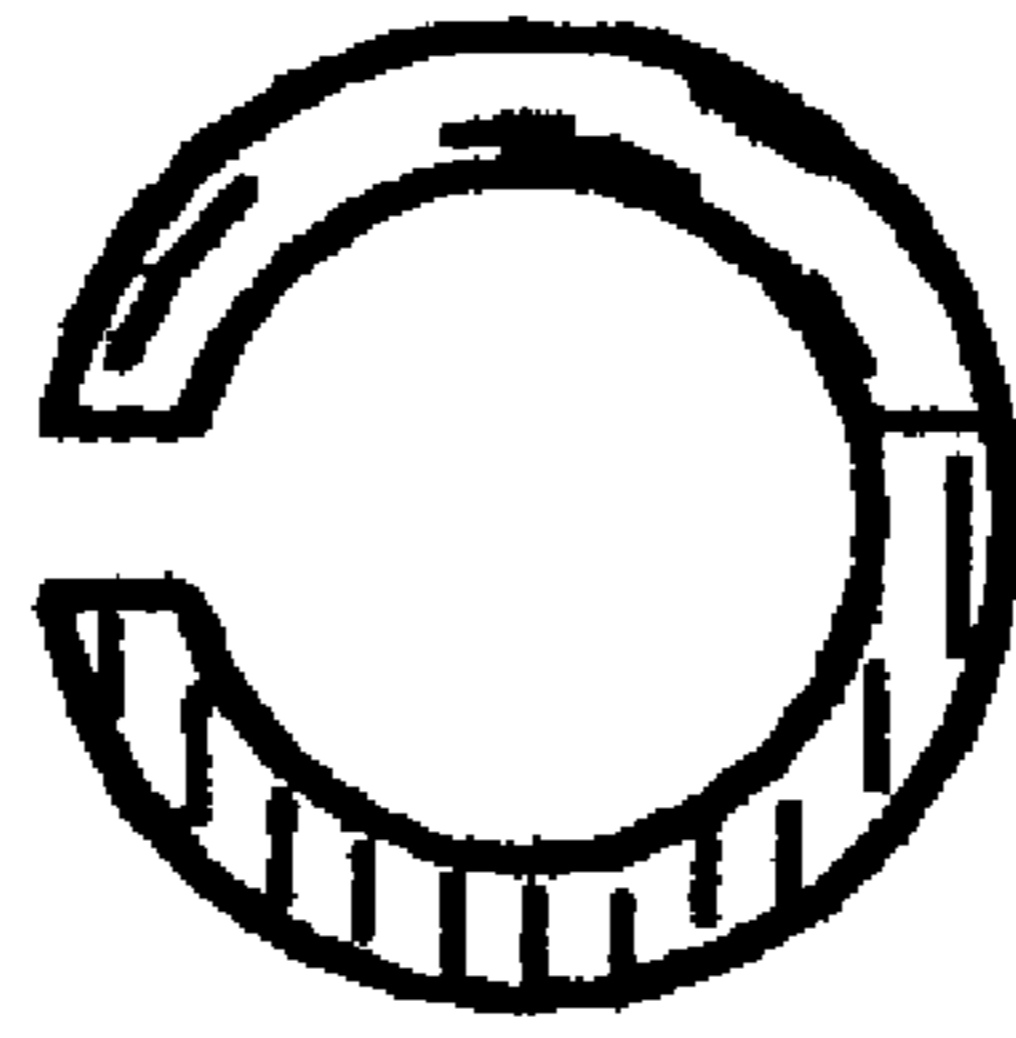


FIGURE 5

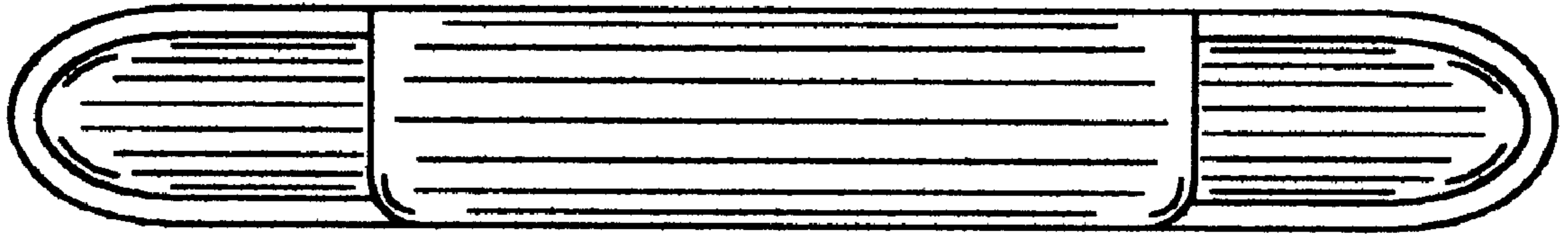


FIGURE 6

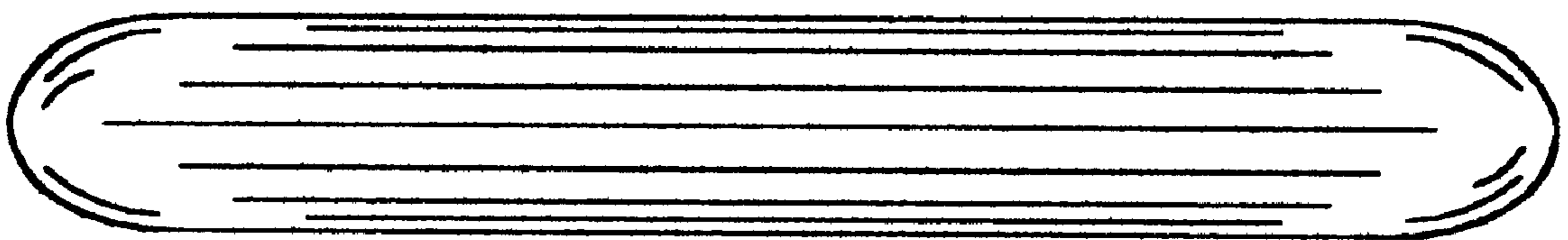


FIGURE 7