



US00D465166S

(12) **United States Design Patent**
Sato

(10) **Patent No.:** **US D465,166 S**

(45) **Date of Patent:** **** Nov. 5, 2002**

(54) **SCALE**

(75) Inventor: **Masaaki Sato, Shiki (JP)**

(73) Assignee: **Tanita Corporation, Tokyo (JP)**

(**) Term: **14 Years**

(21) Appl. No.: **29/145,844**

(22) Filed: **Aug. 1, 2001**

(30) **Foreign Application Priority Data**

Feb. 2, 2001 (JP) 2001-002458

(51) **LOC (7) Cl.** **10-04**

(52) **U.S. Cl.** **D10/92**

(58) **Field of Search** D10/92; 177/210,
177/211, 239-243

(56) **References Cited**

U.S. PATENT DOCUMENTS

D308,344 S * 6/1990 Nakagawa et al. D10/92

D448,691 S * 10/2001 Montagino et al. D10/92

* cited by examiner

Primary Examiner—Antoine Duval Davis

(74) *Attorney, Agent, or Firm*—McDermott, Will & Emery

(57) **CLAIM**

The ornamental design for a scale, as shown.

DESCRIPTION

FIG. 1 is a perspective view of the scale embodying our new design;

FIG. 2 is a front elevational view thereof;

FIG. 3 is a rear elevational view thereof;

FIG. 4 is a top plan view thereof;

FIG. 5 is a bottom plan view thereof;

FIG. 6 is a right side elevational view thereof, and a left side elevational view thereof is symmetry to the right side elevational view; and,

FIG. 7 is a top plan view thereof with the display being switched on.

1 Claim, 3 Drawing Sheets

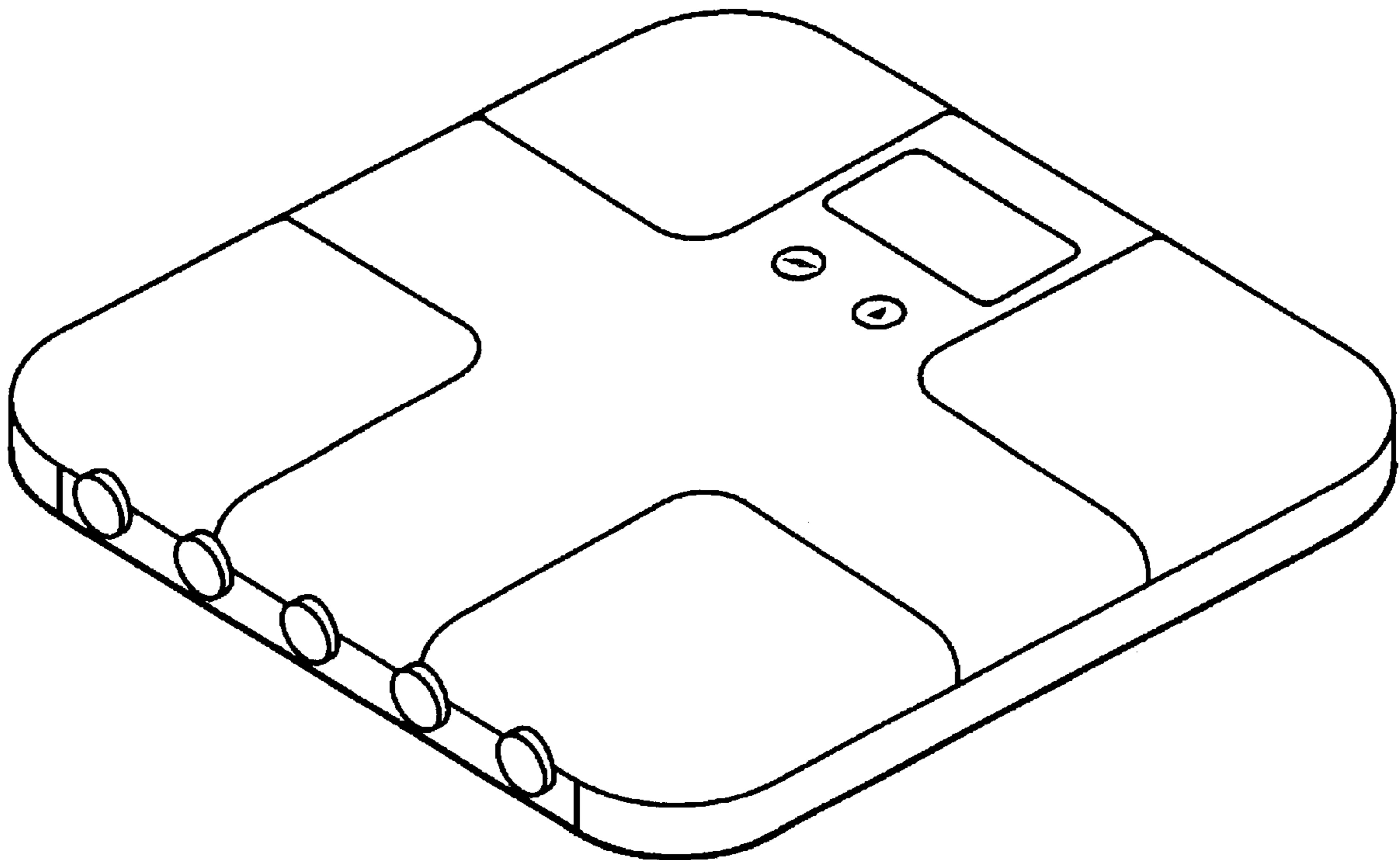


FIG. 1

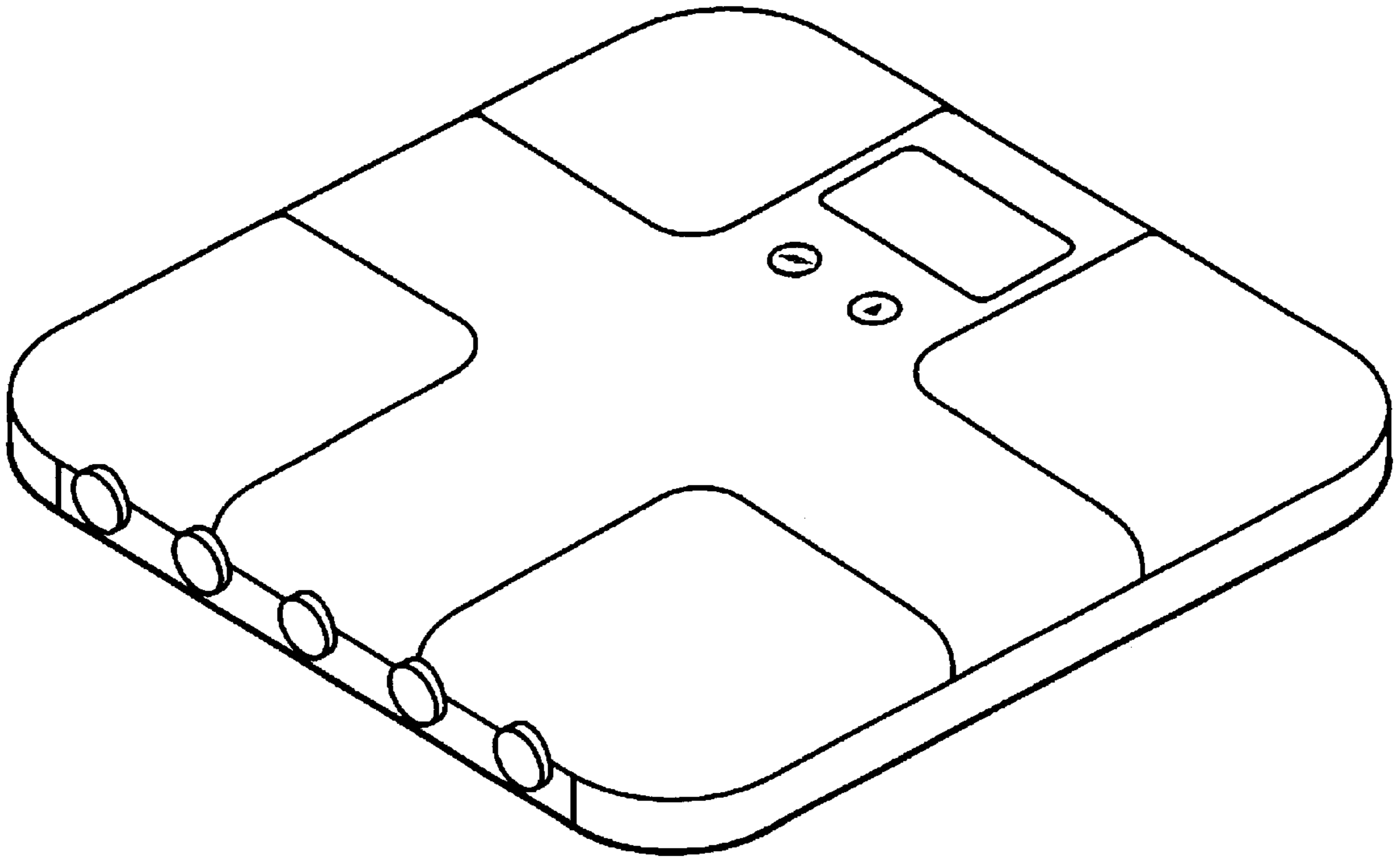


FIG. 2

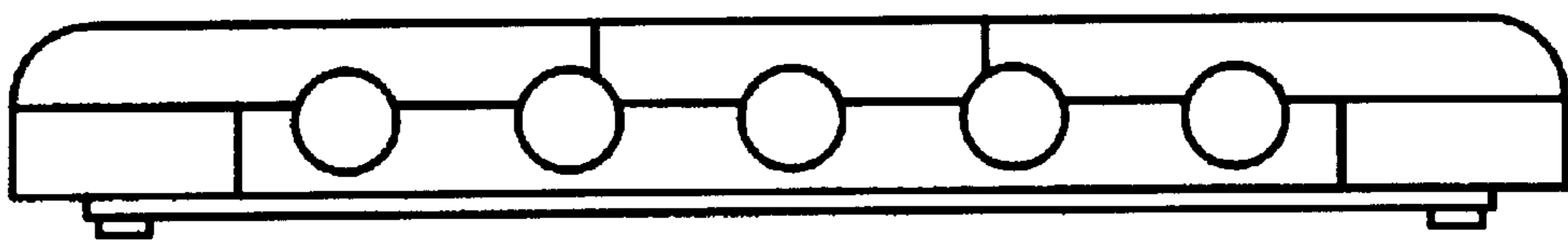


FIG. 3

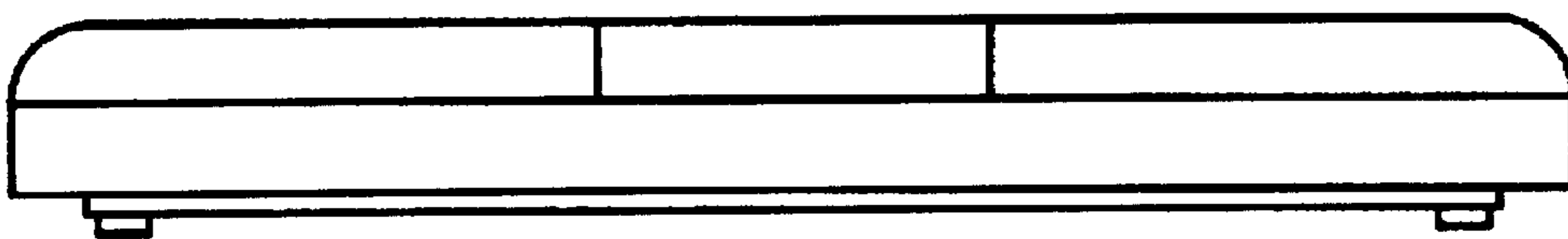


FIG. 4

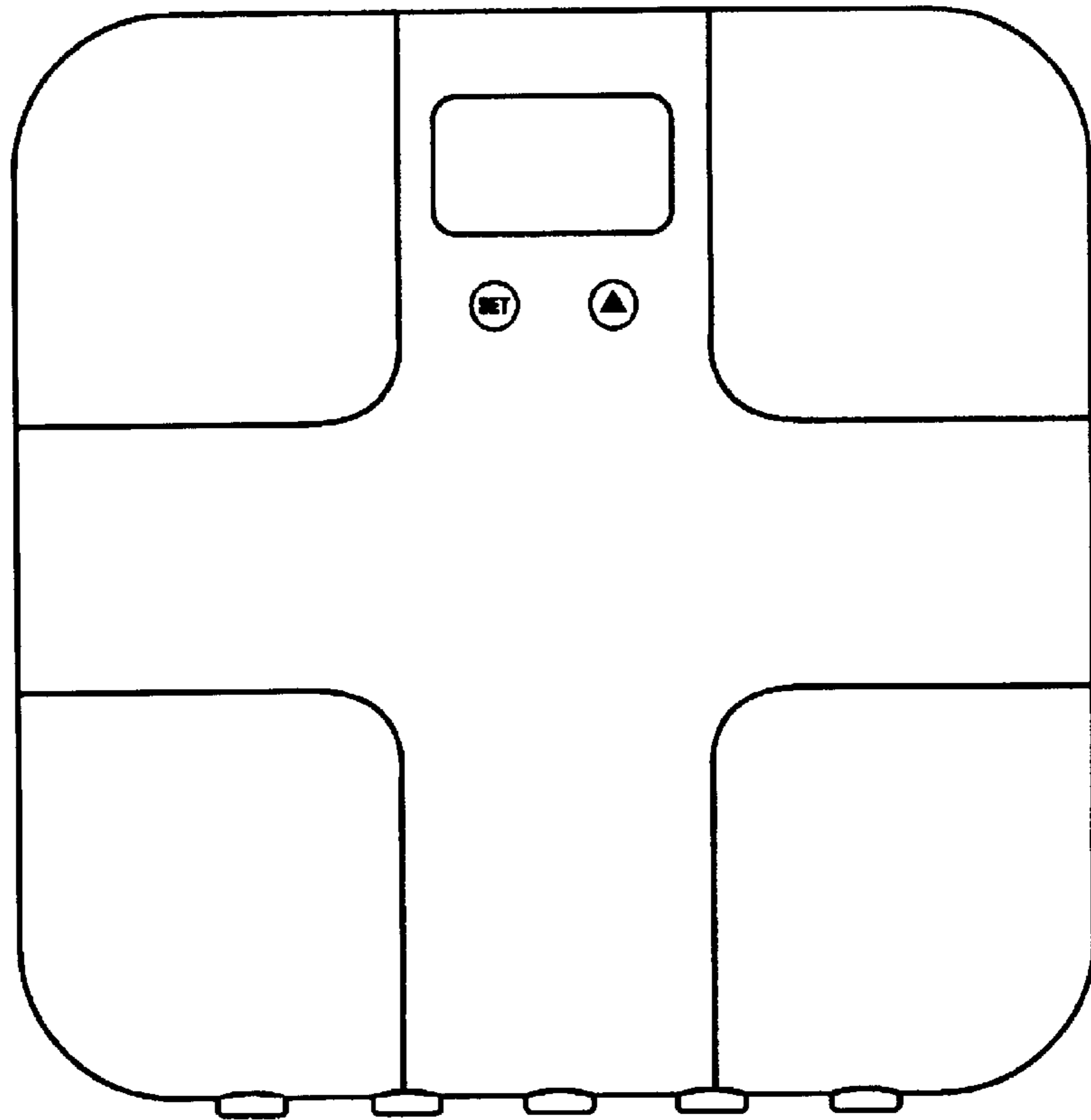


FIG. 5

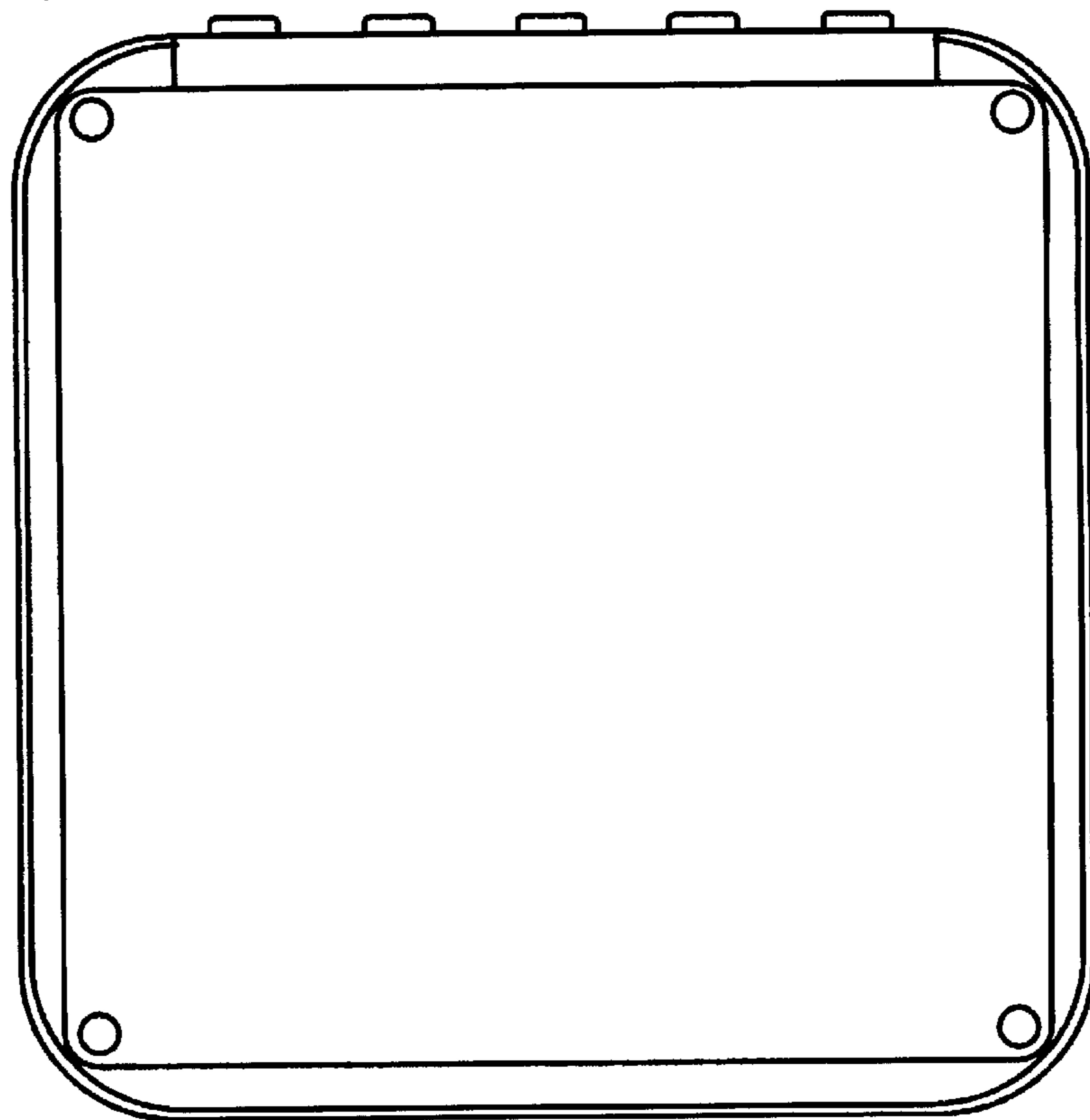


FIG. 6

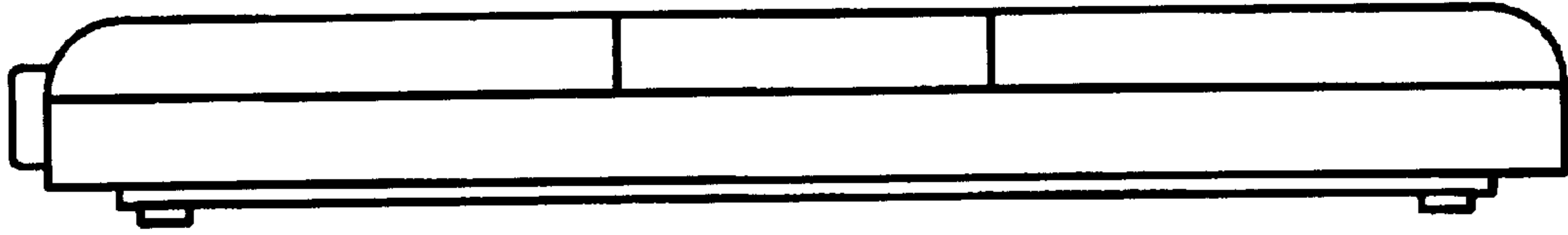


FIG. 7

