



US00D465164S

(12) **United States Design Patent**
Wolke

(10) **Patent No.:** **US D465,164 S**

(45) **Date of Patent:** **** Nov. 5, 2002**

(54) **APPARATUS TO DETERMINE THE DISTANCE BETWEEN A GOLF BALL AND GOLF BALL HOLE**

(76) **Inventor:** **J. Elmer Wolke**, 205 Golf Terrace Ct., Hampstead, NC (US) 28443

(**) **Term:** **14 Years**

(21) **Appl. No.:** **29/150,957**

(22) **Filed:** **Nov. 27, 2001**

Related U.S. Application Data

(63) Continuation-in-part of application No. 09/456,052, filed on Dec. 7, 1999, now abandoned.

(51) **LOC (7) Cl.** **21-01**

(52) **U.S. Cl.** **D10/46.1**

(58) **Field of Search** D10/46, 46.1, D10/70-72; 116/222-225, DIG. 14; 224/918; 273/108.2; 473/257, 258

(56) **References Cited**

U.S. PATENT DOCUMENTS

D205,156 S * 6/1966 Ford D10/46.1

3,824,698 A * 7/1974 Brocker 116/222
D339,753 S * 9/1993 Dionne D10/46.1
5,273,284 A * 12/1993 Motgomery 473/258
5,398,937 A * 3/1995 Regan 473/257
D378,279 S * 3/1997 Pischette D10/46.1
D388,341 S * 12/1997 Perez D10/46.1

* cited by examiner

Primary Examiner—Prabhakar Deshmukh

(57) **CLAIM**

The ornamental design for a apparatus to determine the distance between a golf ball and golf ball hole, as shown and described.

DESCRIPTION

FIG. 1 is a perspective view of a apparatus to determine the distance between a golf ball and golf ball hole showing my new design;

FIG. 2 is a top plan view thereof;

FIG. 3 is a bottom plan view thereof;

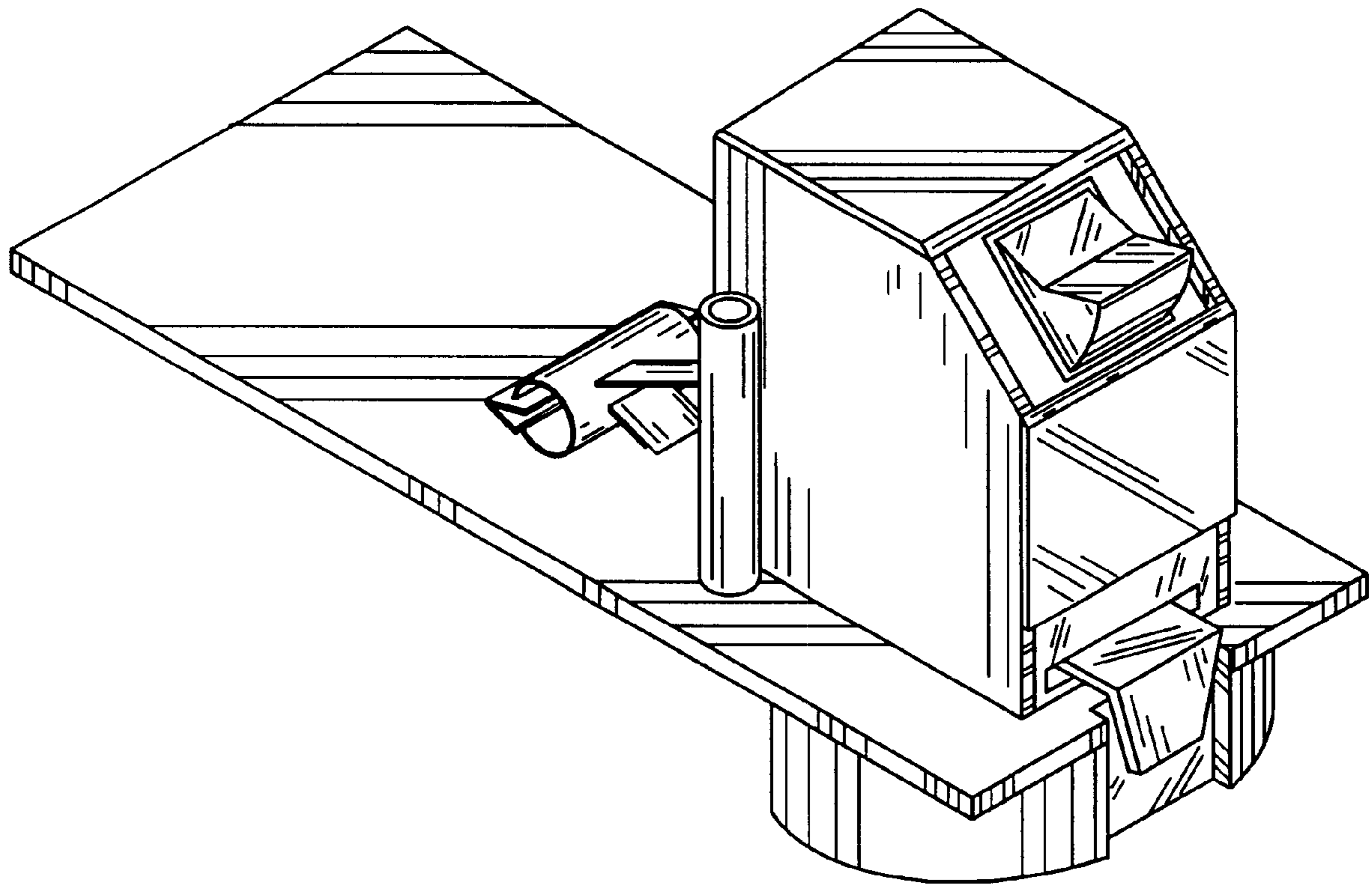
FIG. 4 is a left side elevational view thereof;

FIG. 5 is a right side elevational view thereof;

FIG. 6 is a front elevational view; and,

FIG. 7 is a rear elevational view thereof.

1 Claim, 4 Drawing Sheets



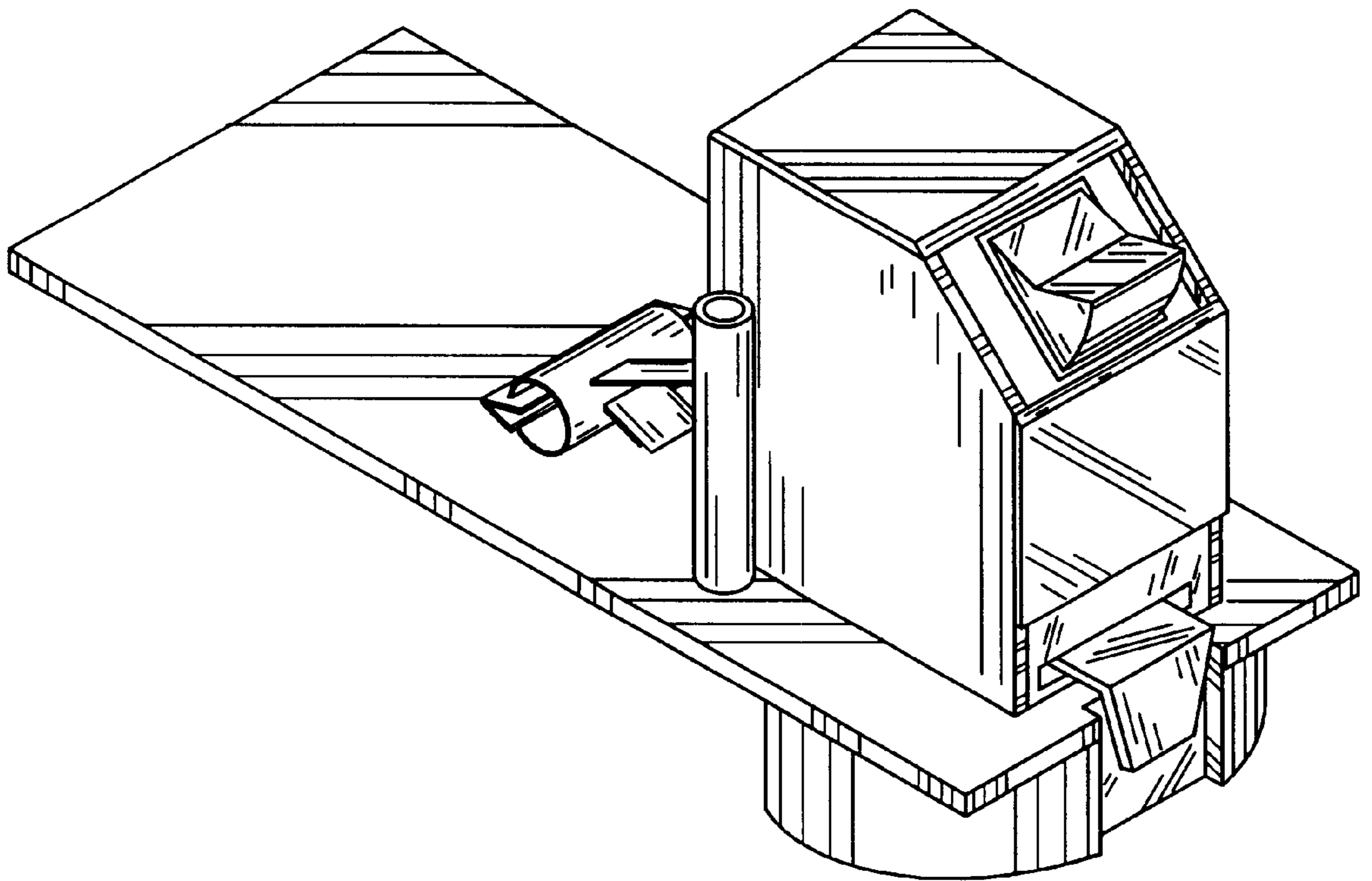


Figure 1

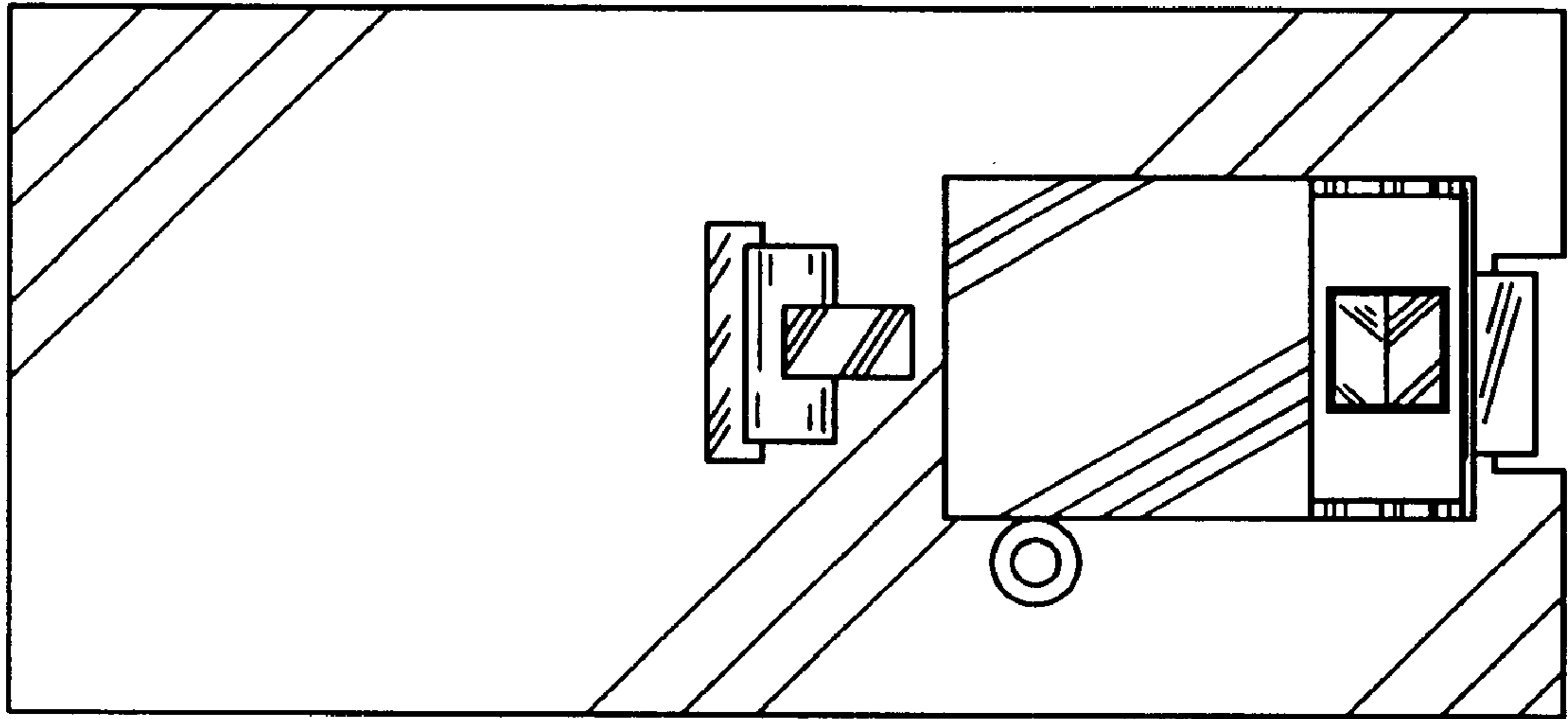


Figure 2

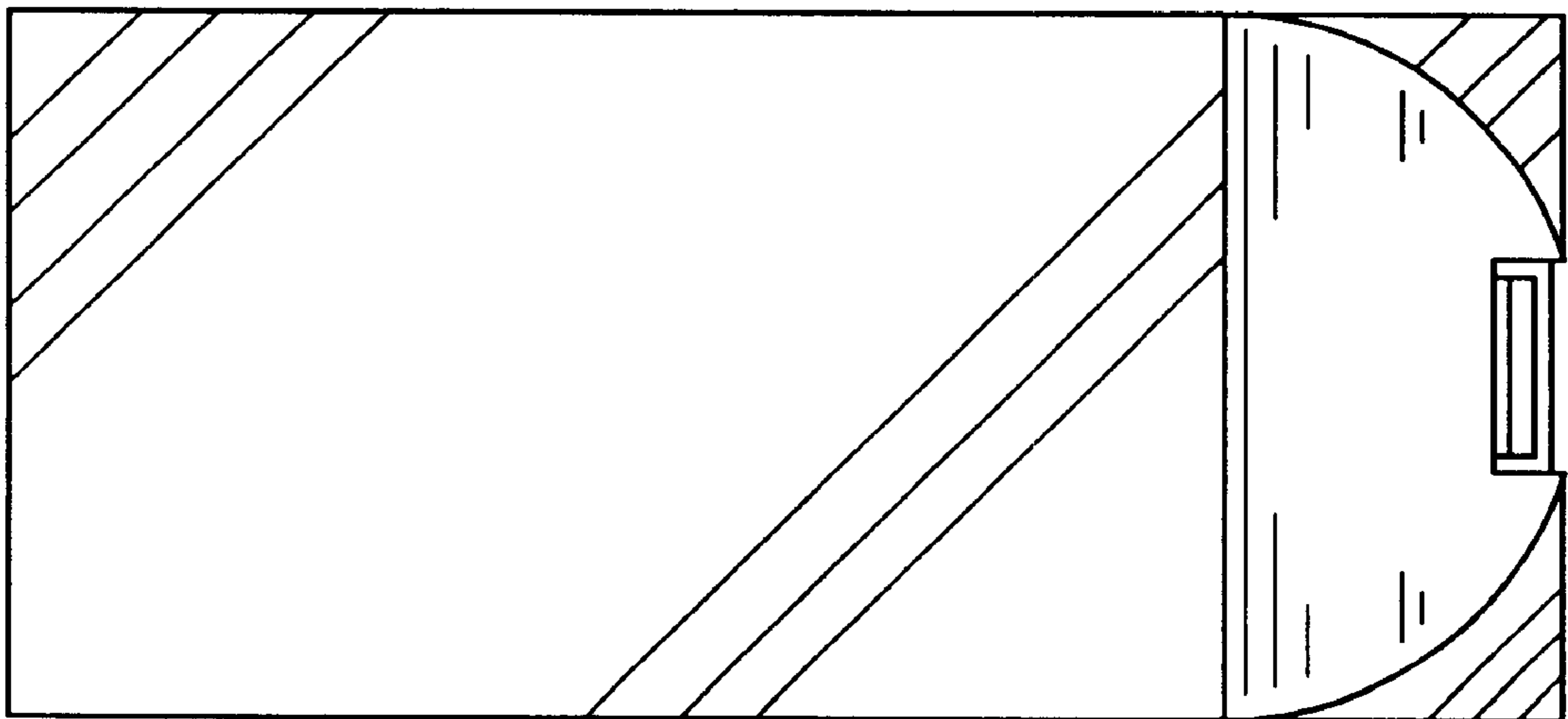


Figure 3

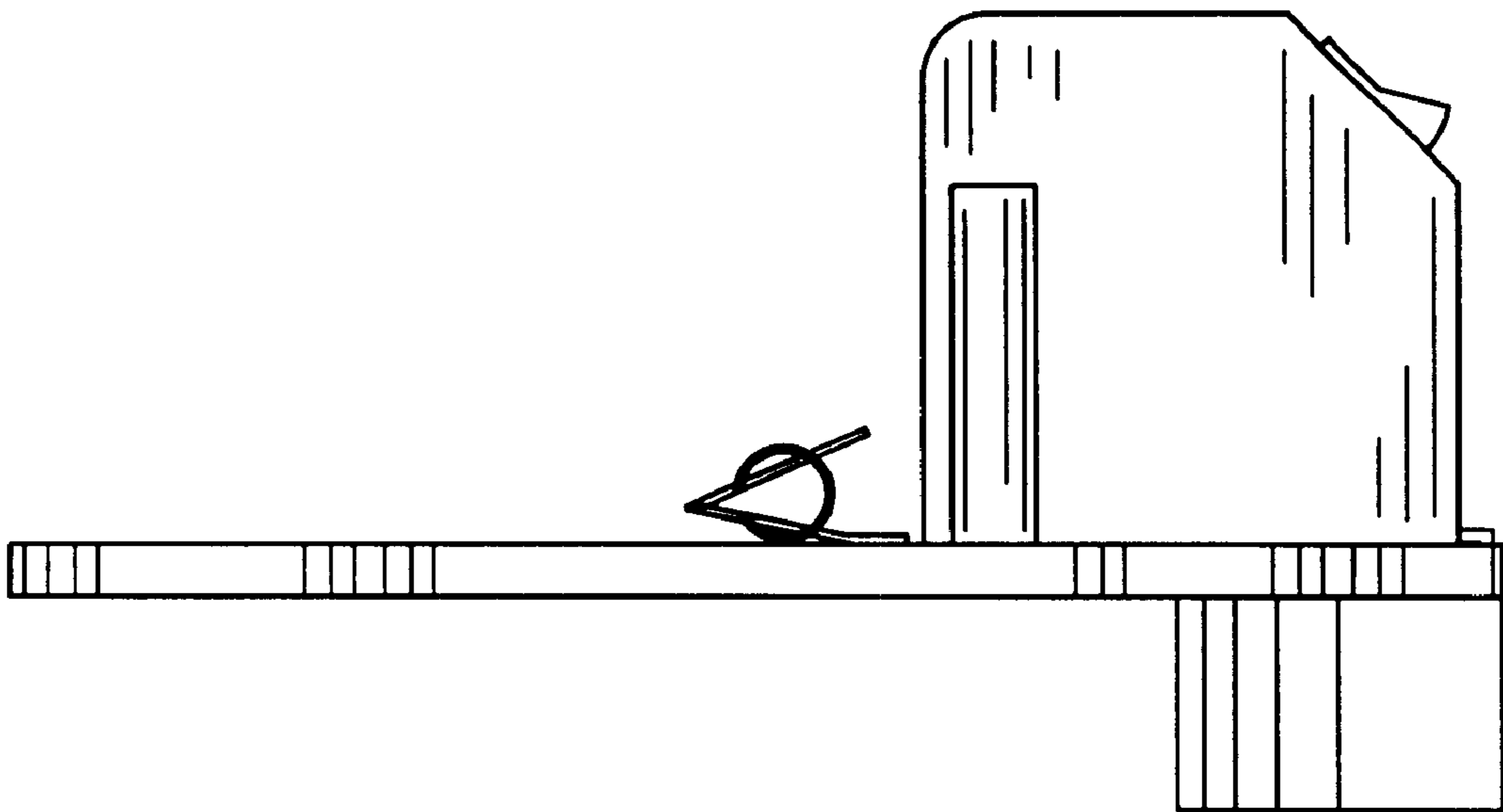


Figure 4

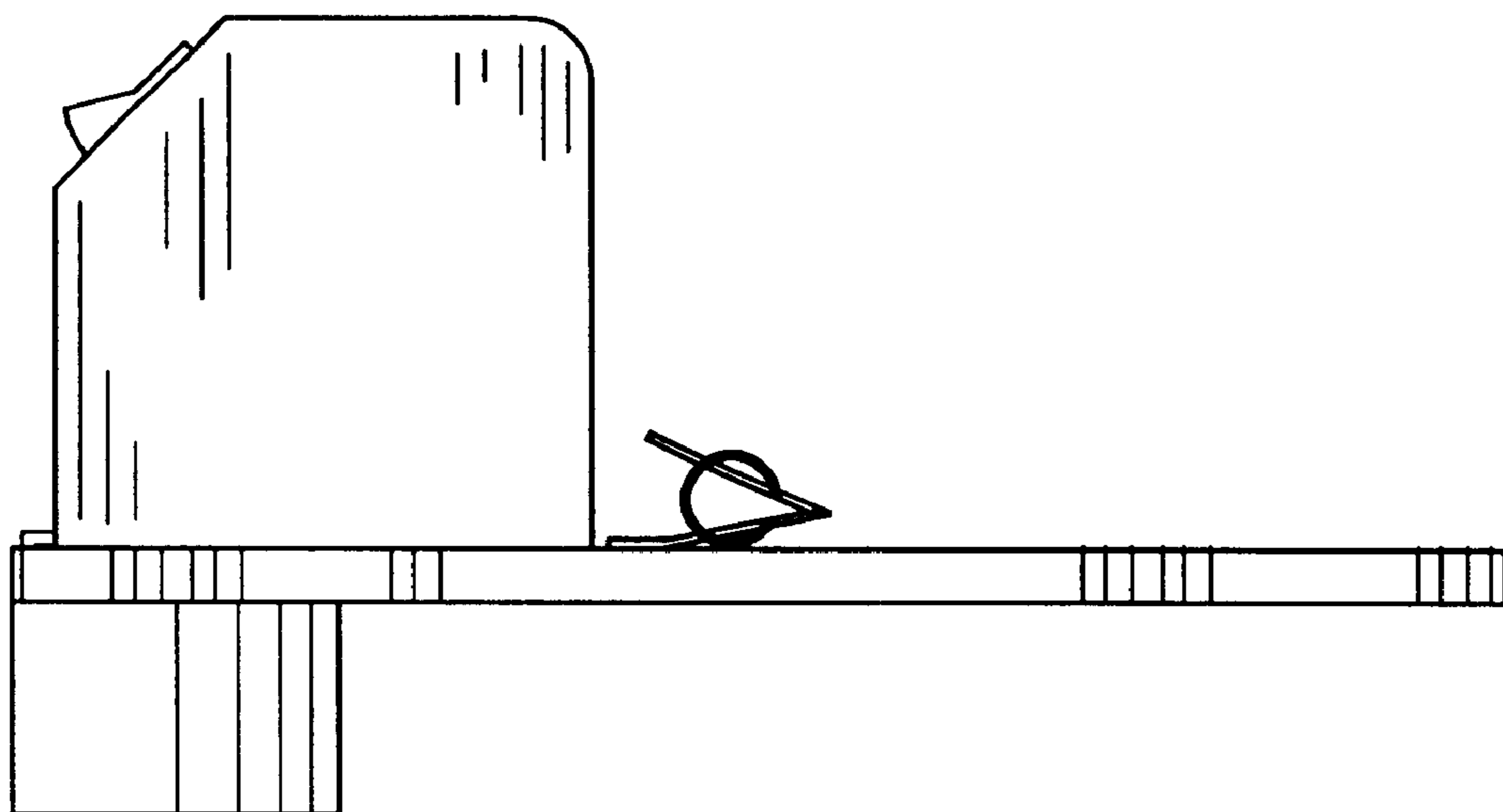


Figure 5

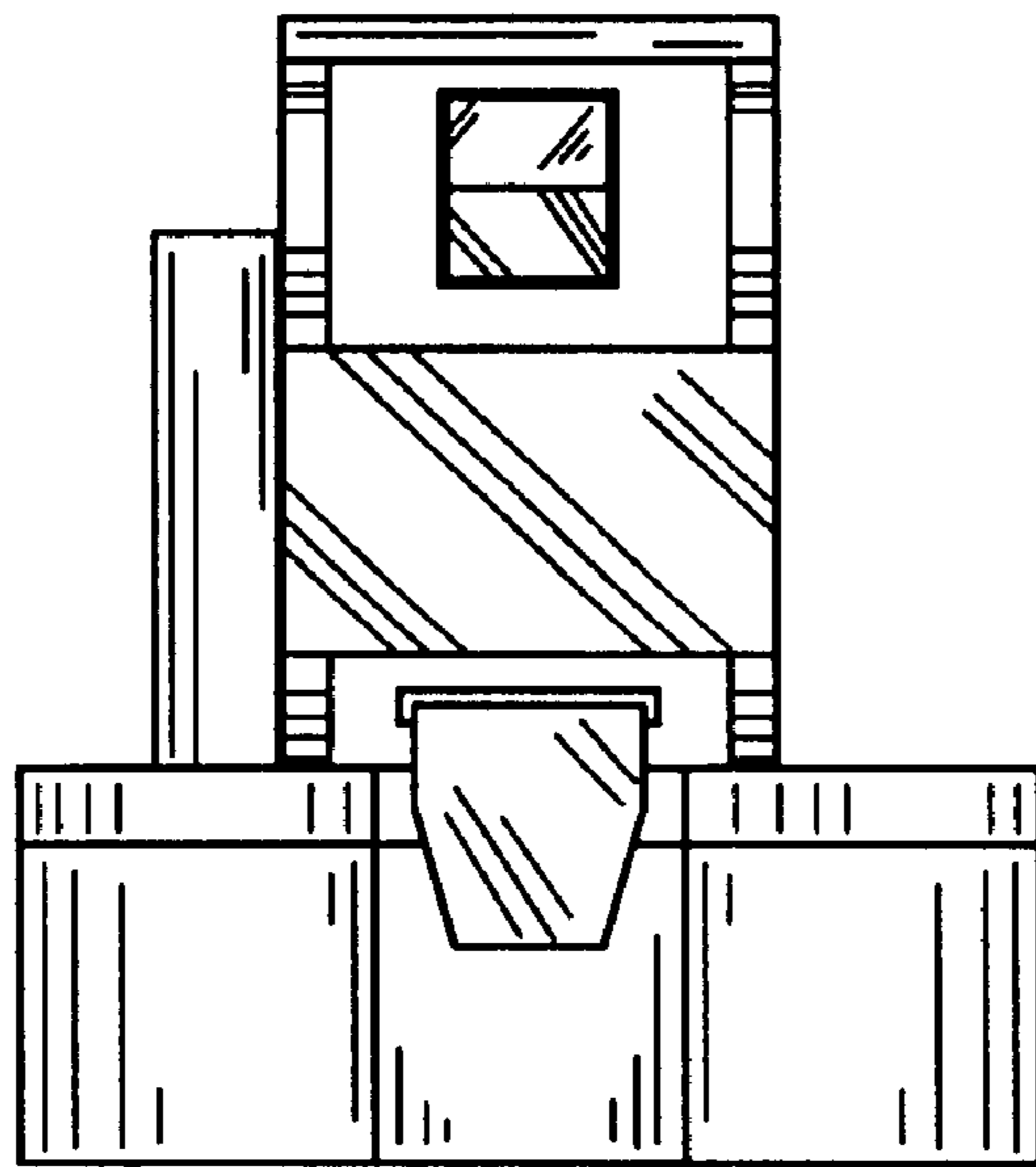


Figure 6

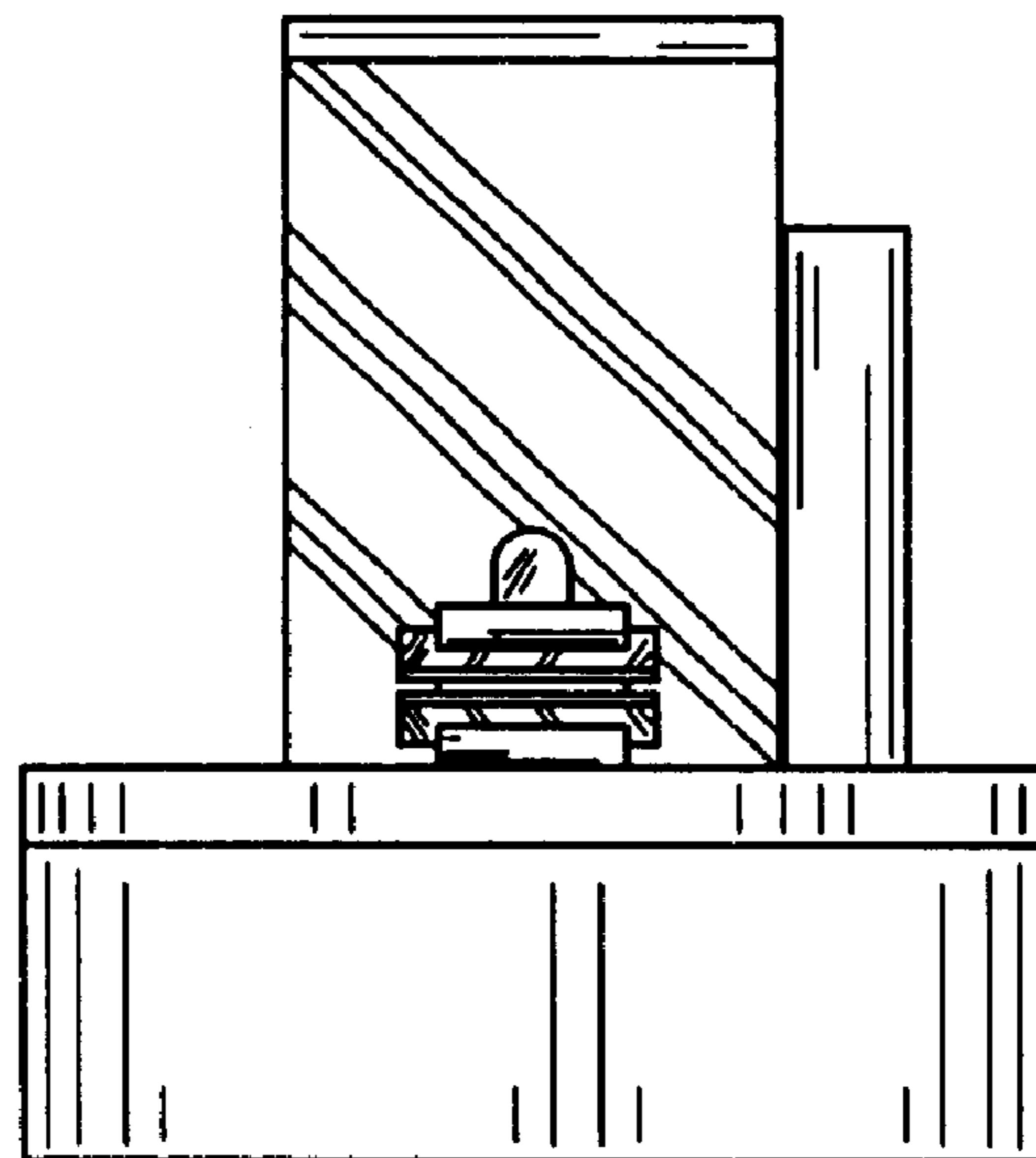


Figure 7