



US00D465161S

(12) **United States Design Patent**
Truisi

(10) **Patent No.:** **US D465,161 S**

(45) **Date of Patent:** **** Nov. 5, 2002**

(54) **CD DESKTOP CLOCK**

(76) Inventor: **Michael Truisi**, 30 Ithaca St., Staten Island, NY (US) 10306

(**) Term: **14 Years**

(21) Appl. No.: **29/140,343**

(22) Filed: **Apr. 17, 2001**

(51) **LOC (7) Cl.** **10-01**

(52) **U.S. Cl.** **D10/6; D10/23**

(58) **Field of Search** **D10/1-40, 122-132; 368/276-277, 285, 316-317**

(56) **References Cited**

U.S. PATENT DOCUMENTS

D363,433 S	*	10/1995	Caraballo	D10/6
D375,277 S	*	11/1996	Dumas	D10/126
D381,917 S	*	8/1997	McCue et al.	D10/6
D404,314 S	*	1/1999	Caraballo	D10/6
D411,114 S	*	6/1999	Mei et al.	D10/6

OTHER PUBLICATIONS

Hong Kong Enterprise—Oct. 1990—p. 121—CDclocks at bottom-left.*

* cited by examiner

Primary Examiner—Nelson C. Holtje

(74) *Attorney, Agent, or Firm*—Goodwin Procter LLP

(57) **CLAIM**

What is claimed is the ornamental design for a CD desktop clock, as shown and described.

DESCRIPTION

FIG. 1 is a front perspective view of one embodiment of the present invention.

FIG. 2 is a rear view thereof.

FIG. 3 is a right side elevational view thereof.

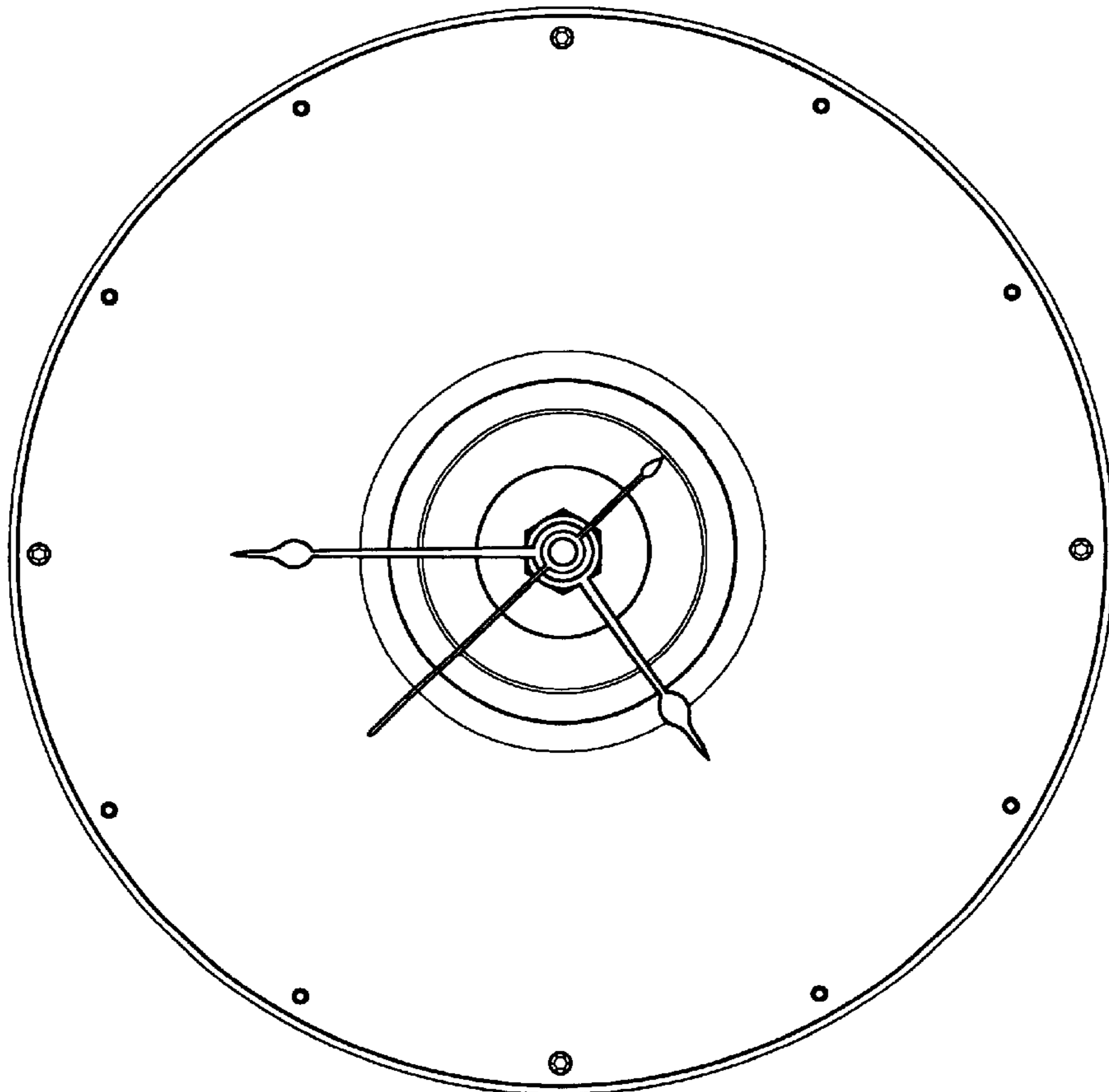
FIG. 4 is a left side elevational view thereof.

FIG. 5 is a top plan view thereof; and,

FIG. 6 is a bottom plan view thereof.

The broken line showing of a battery is for illustrative purposes only and forms no part of the claimed design.

1 Claim, 4 Drawing Sheets



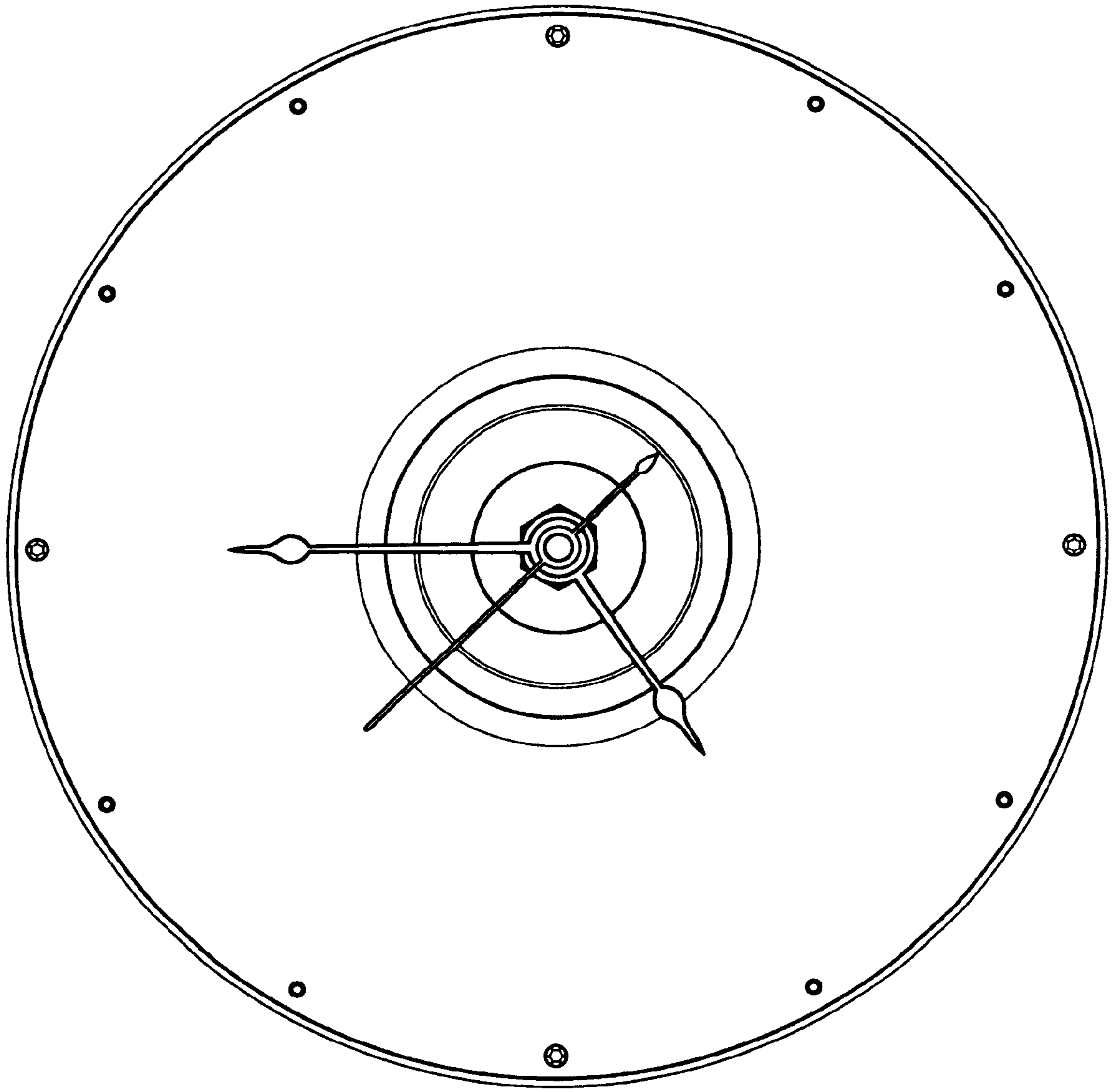


FIG. 1

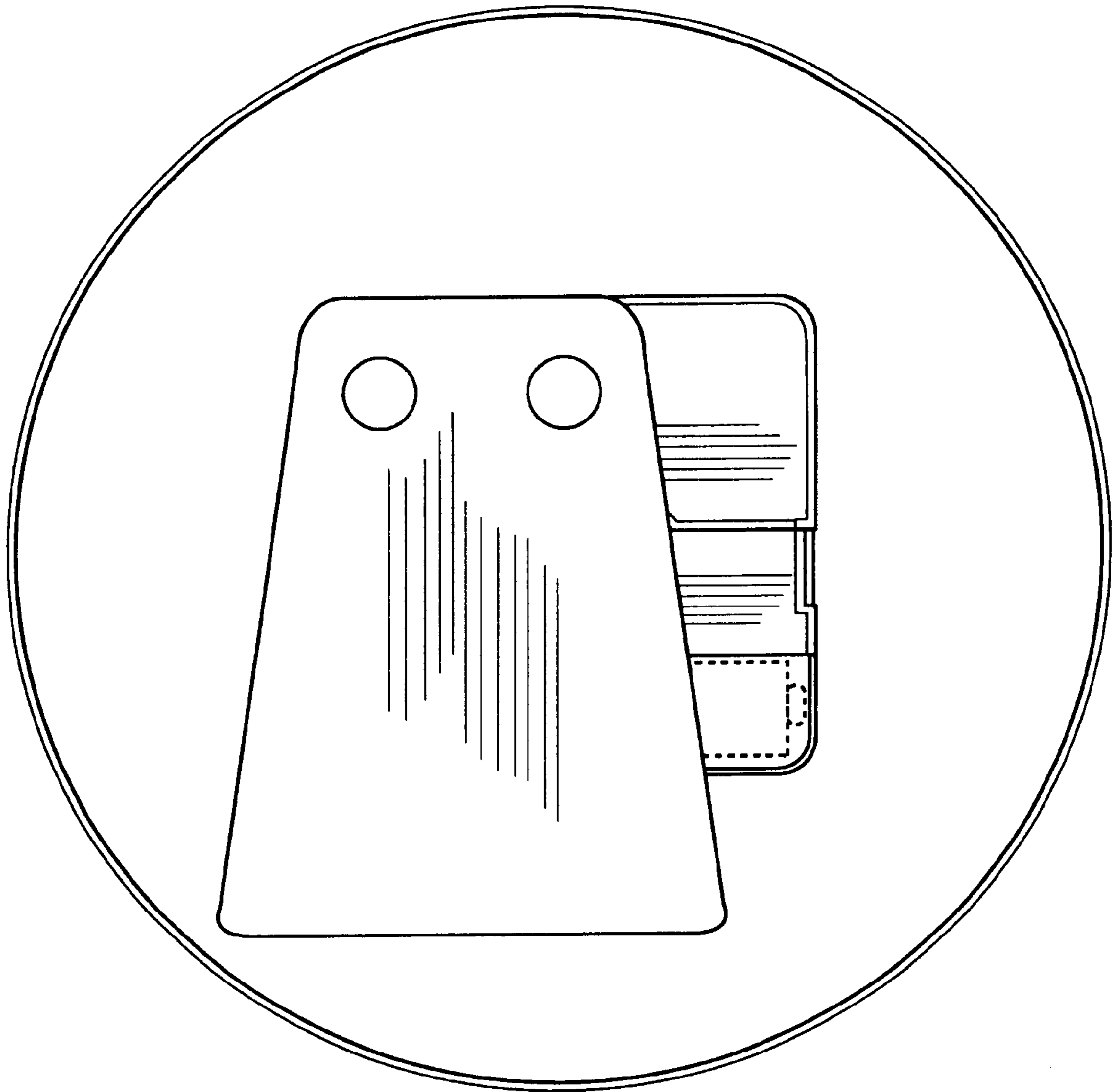


FIG. 2

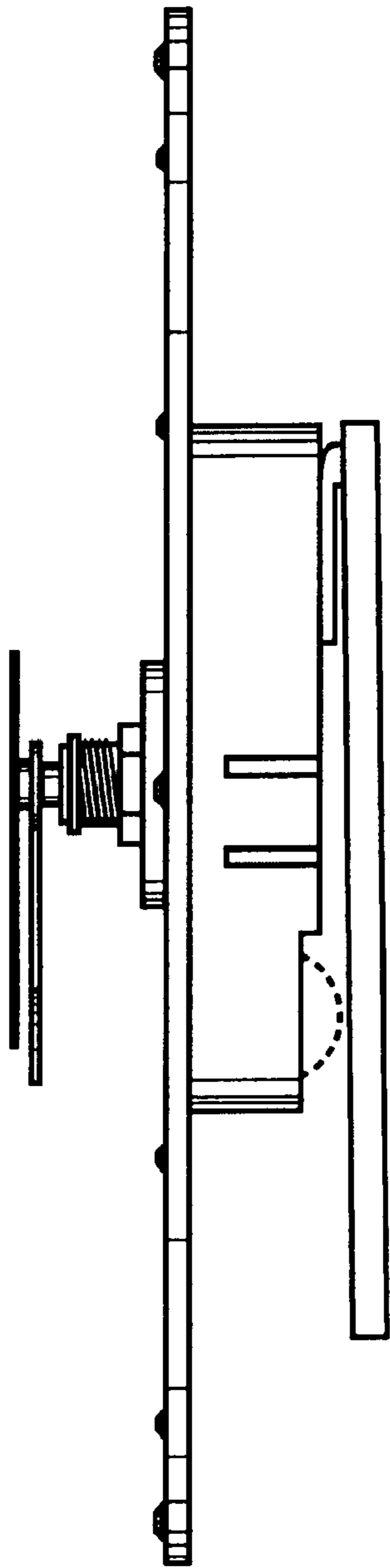


FIG. 3

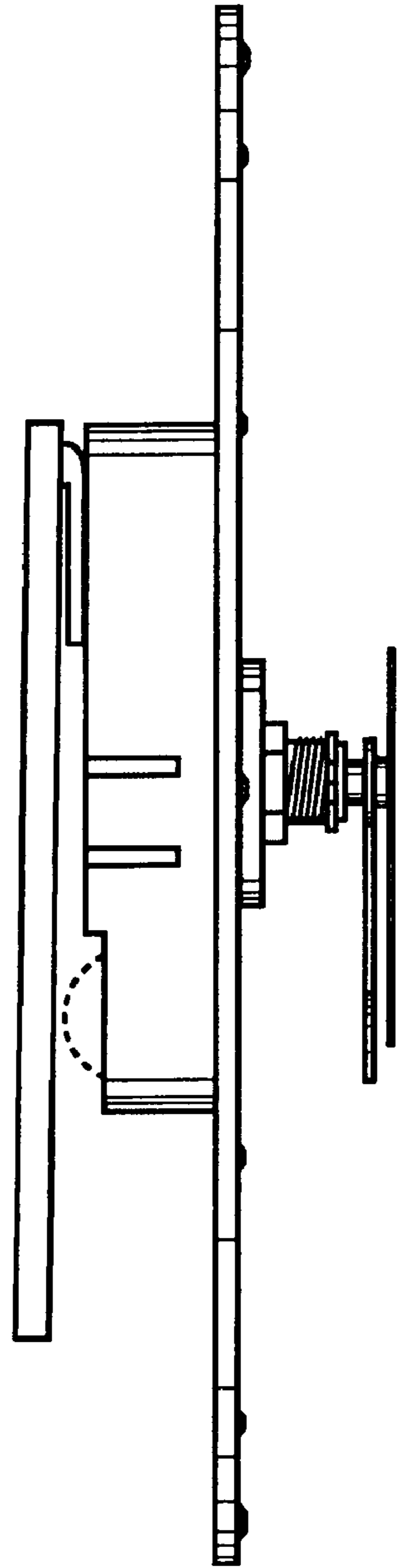


FIG. 4

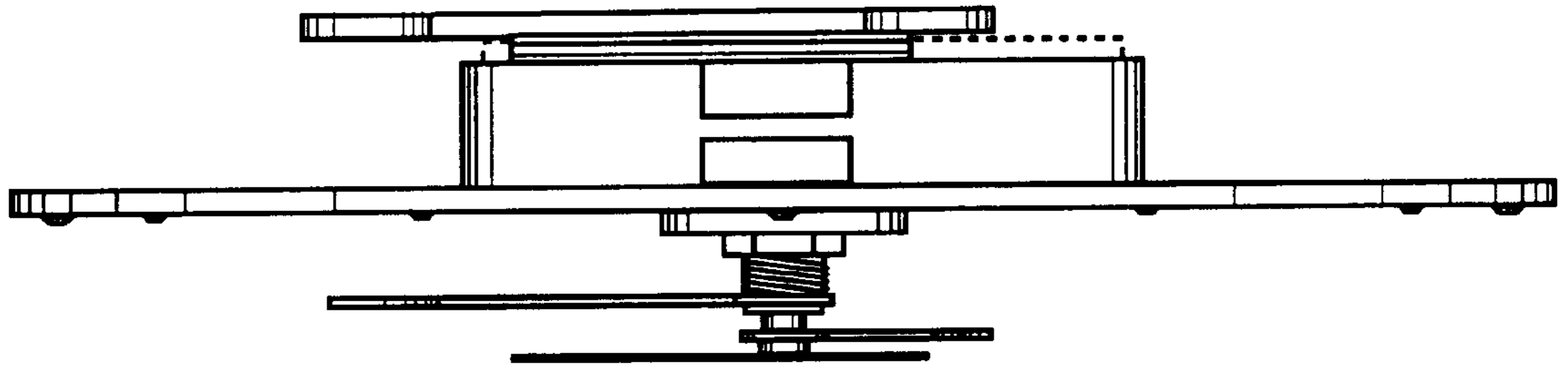


FIG. 5

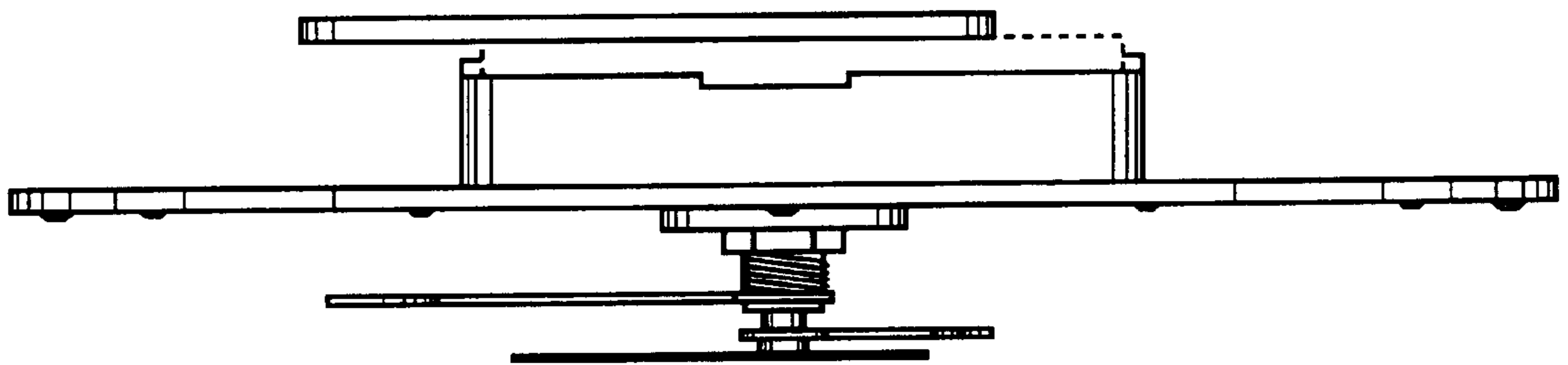


FIG. 6