



US00D465158S

(12) **United States Design Patent**  
**Peek et al.**

(10) **Patent No.:** **US D465,158 S**

(45) **Date of Patent:** **\*\* Nov. 5, 2002**

(54) **PLASTIC CONTAINER**

(75) Inventors: **William Jerome Peek**, Lithonia, GA (US); **Brian Tyree**, Douglasville, GA (US); **Michael Vaughn**, Marietta, GA (US)

(73) Assignee: **Ball Corporation**, Broomfield, CO (US)

(\*\*) Term: **14 Years**

(21) Appl. No.: **29/144,260**

(22) Filed: **Jun. 28, 2001**

(51) **LOC (7) Cl.** ..... **09-01**

(52) **U.S. Cl.** ..... **D9/538; D9/551; D9/574; D9/520**

(58) **Field of Search** ..... D9/502, 503, 500, D9/307, 506, 516, 520, 529-530, 537-543, 549, 552, 554, 557-558, 565, 570, 574-575; 215/6, 10, 381-385, 396, 398; 220/662, 669, 675

(56) **References Cited**

**U.S. PATENT DOCUMENTS**

2,988,258	A	*	6/1961	Witzke	.....	D9/557
3,468,443	A	*	9/1969	Marcus	.....	215/375
D227,003	S	*	5/1973	Graham	.....	D9/504
D309,102	S	*	7/1990	Wild	.....	D9/560
D321,830	S	*	11/1991	York et al.	.....	D9/434
5,178,289	A		1/1993	Krishnakumar et al.		
D345,693	S		4/1994	Edstrom		
5,303,833	A	*	4/1994	Hayashi et al.	.....	215/381
5,337,909	A		8/1994	Vailliencourt		
D352,245	S		11/1994	Krishnakumar et al.	.....	D9/538
D362,182	S	*	9/1995	Hestehave et al.	.....	D9/434
5,704,503	A	*	1/1998	Krishnakumar et al.	....	215/381
D393,802	S		4/1998	Collette et al.	.....	D9/502
D397,614	S		9/1998	Krishnakumar et al.	.....	D9/520

D411,453	S		6/1999	Piccioli et al.	.....	D9/520
5,908,128	A	*	6/1999	Krishnakumar et al.	....	215/381
D416,198	S	*	11/1999	Lindsay et al.	.....	D9/520
D419,882	S		2/2000	Bretz et al.	.....	D9/520
D420,592	S		2/2000	Bretz et al.	.....	D9/520
6,036,037	A	*	3/2000	Scheffer et al.	.....	215/381
D434,330	S		11/2000	Rowe et al.	.....	D9/538
D438,456	S		3/2001	Bretz et al.	.....	D9/307
D455,033	S		7/2001	Bretz et al.	.....	D9/520
D446,458	S	*	8/2001	Gans	.....	D9/538
D454,500	S	*	3/2002	Bretz et al.	.....	D9/538

**FOREIGN PATENT DOCUMENTS**

WO WO 97/14617 4/1997

\* cited by examiner

*Primary Examiner*—Ted Shooman

*Assistant Examiner*—Carol Rademaker

(74) *Attorney, Agent, or Firm*—Brinks Hofer Gilson & Lione

(57) **CLAIM**

We claim the ornamental design for a plastic container, as shown and described.

**DESCRIPTION**

FIG. 1 is a front elevation view of a plastic container showing the present invention, the back elevation view being identical.

FIG. 2 is a plan view from the bottom of FIG. 1.

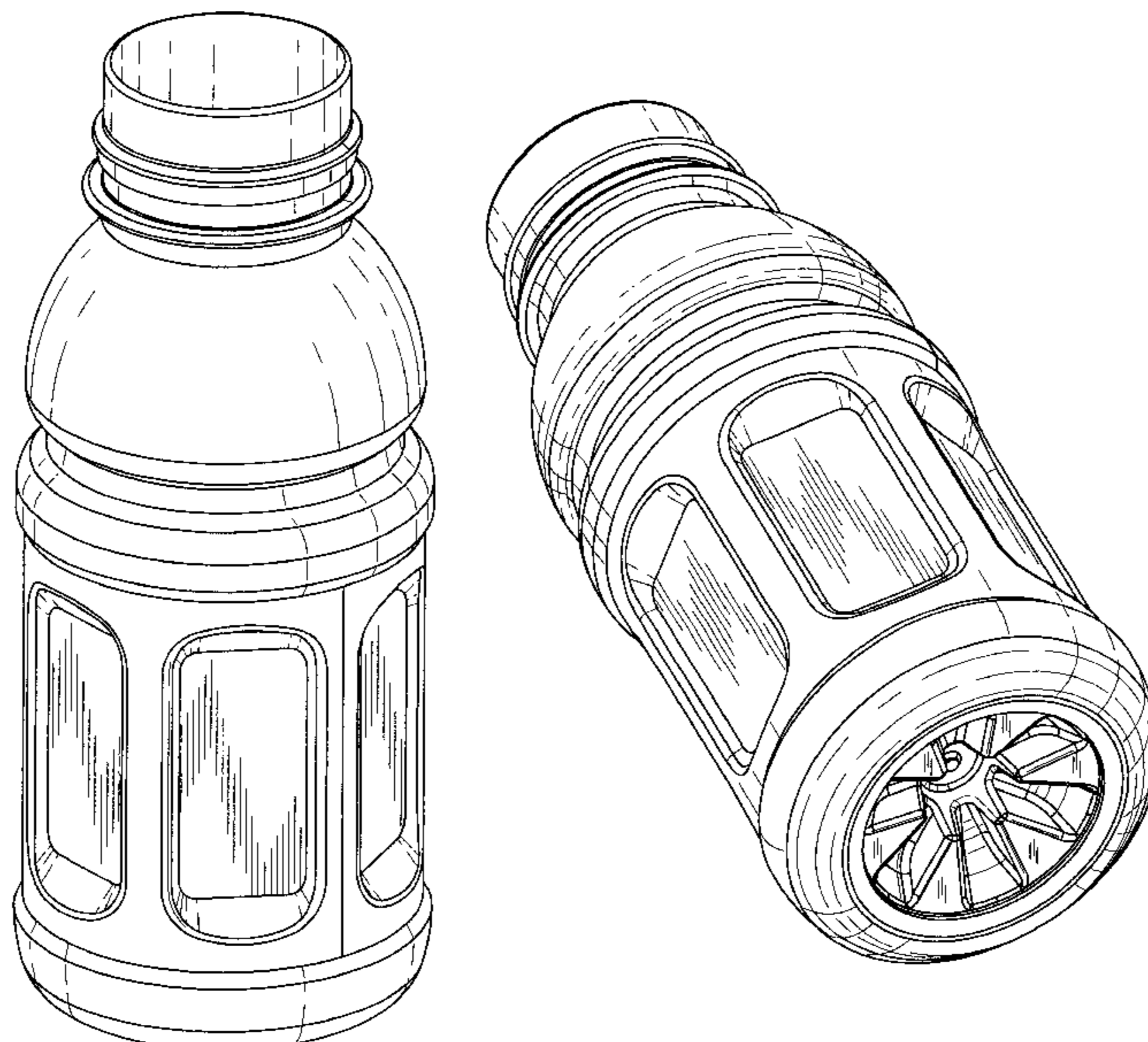
FIG. 3 is a plan view from the top of FIG. 1.

FIG. 4 is a top side perspective view taken from either the right or left side of FIG. 1.

FIG. 5 is a bottom side perspective view taken from either the right or left side of FIG. 1; and,

FIG. 6 is a side elevation view of the plastic container from either the right or left side of FIG. 1, both views being identical.

**1 Claim, 5 Drawing Sheets**



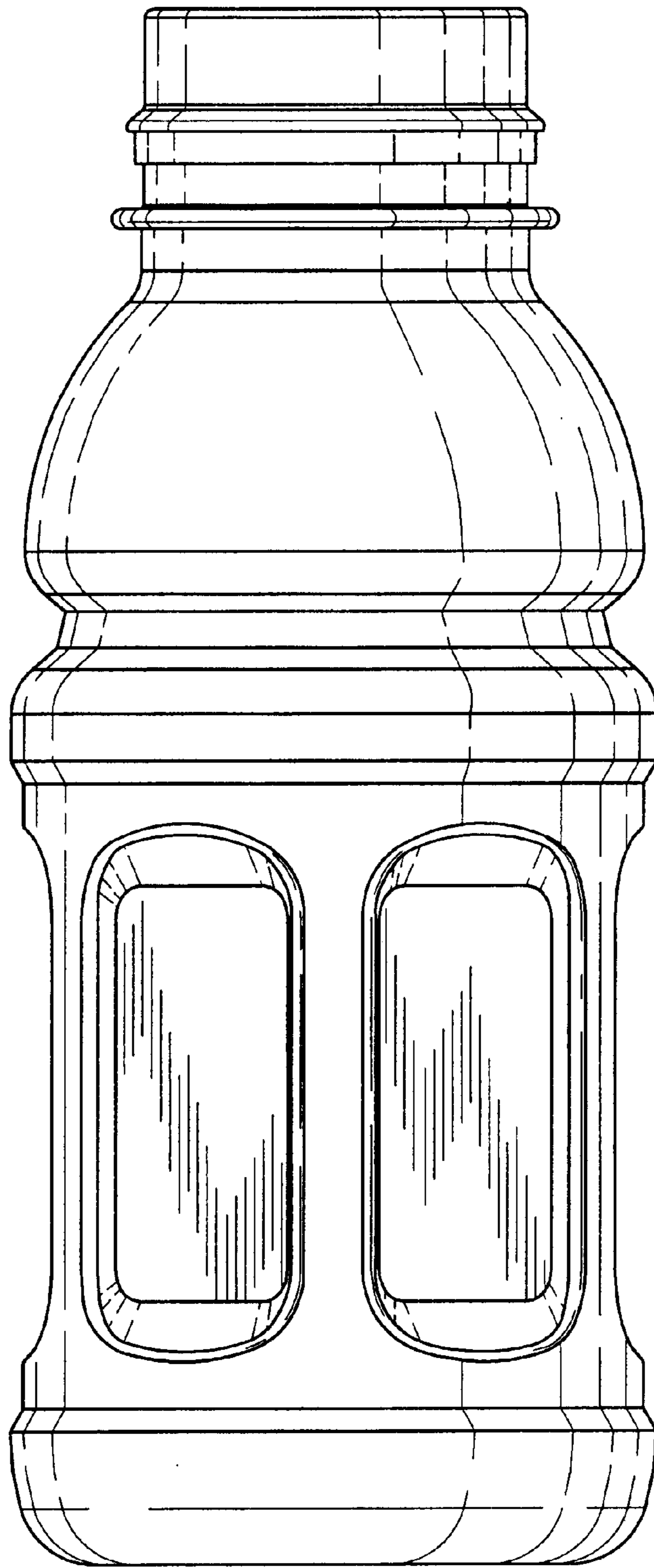


Fig. 1

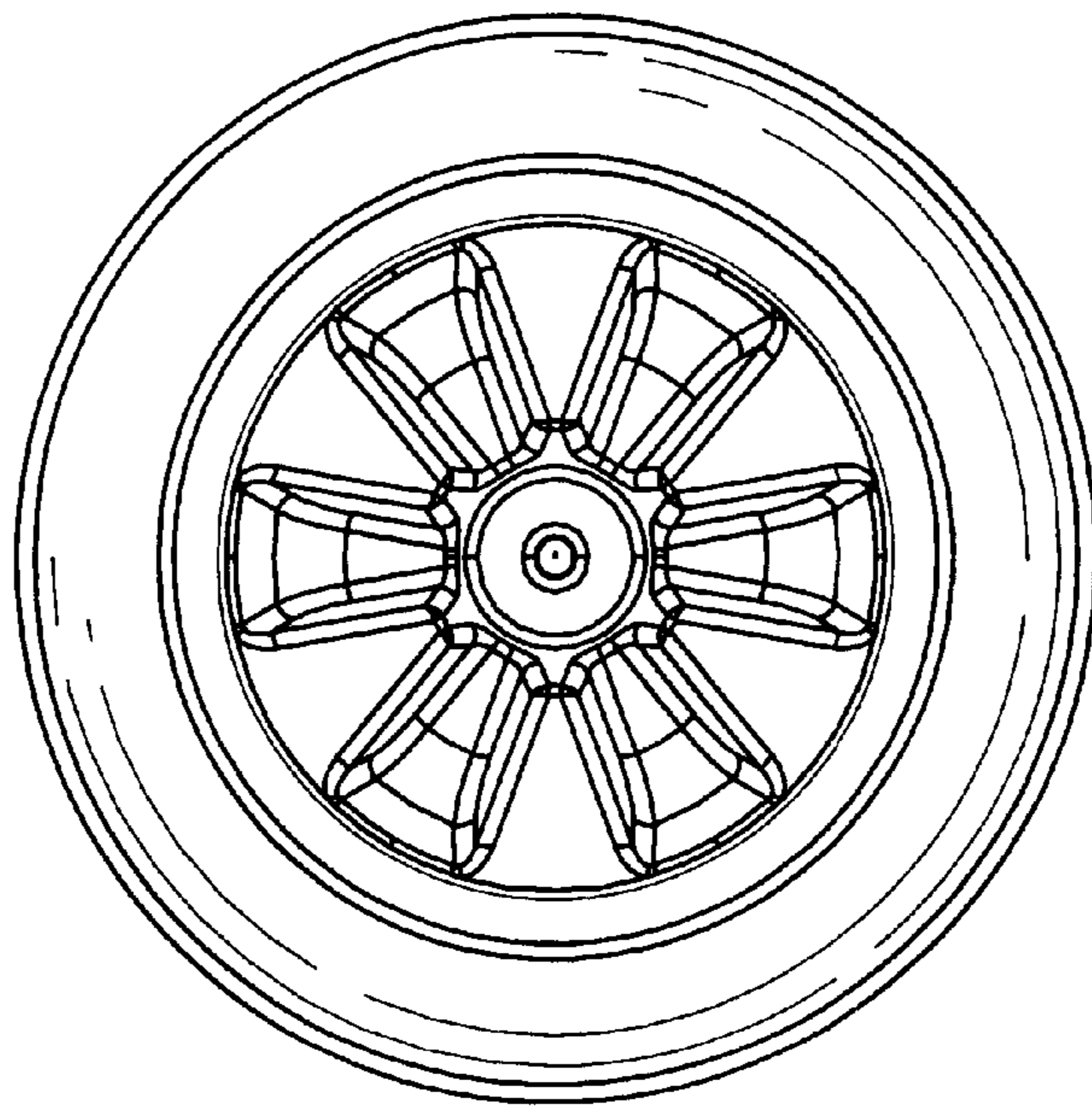


Fig. 2

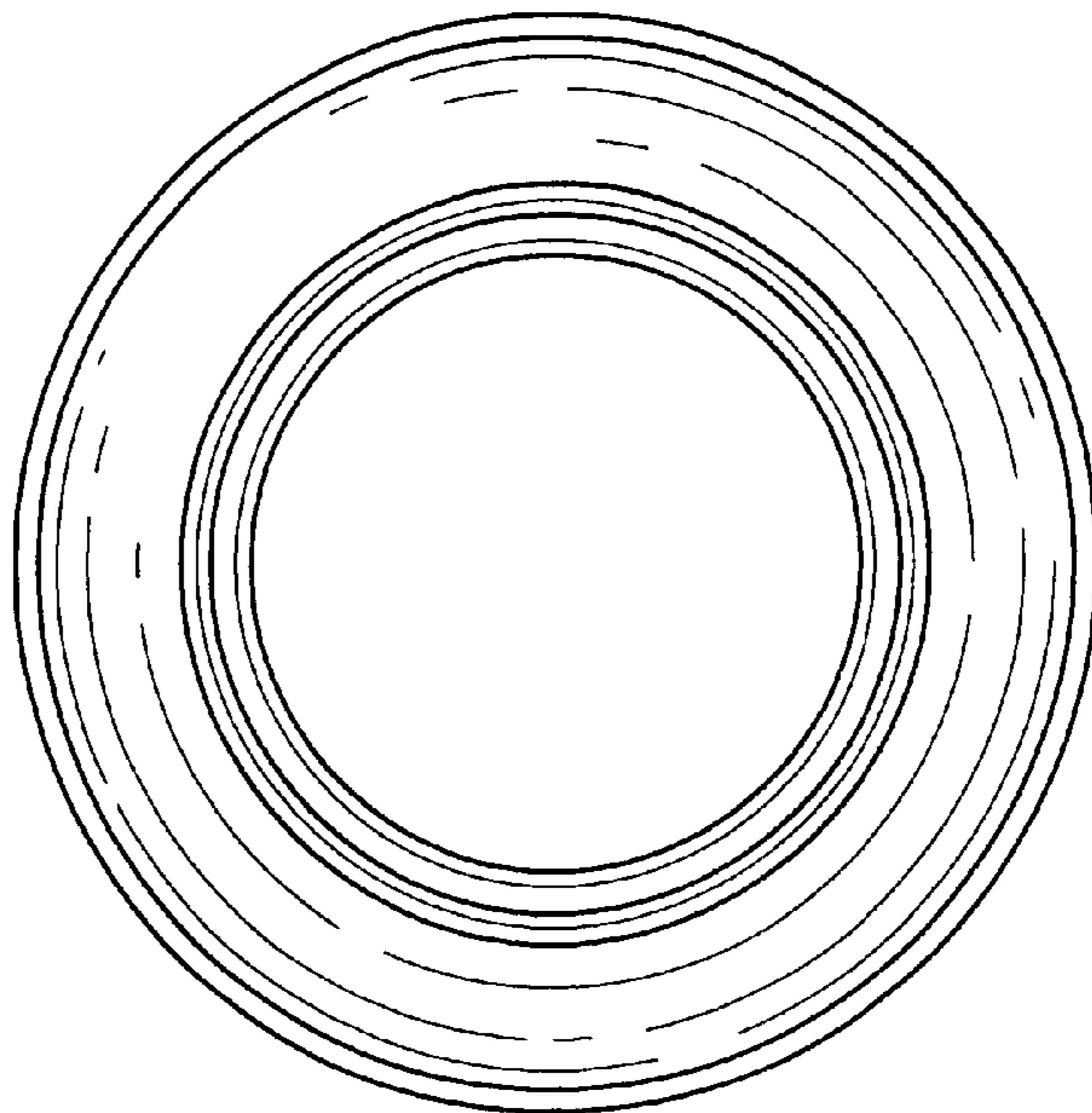


Fig. 3

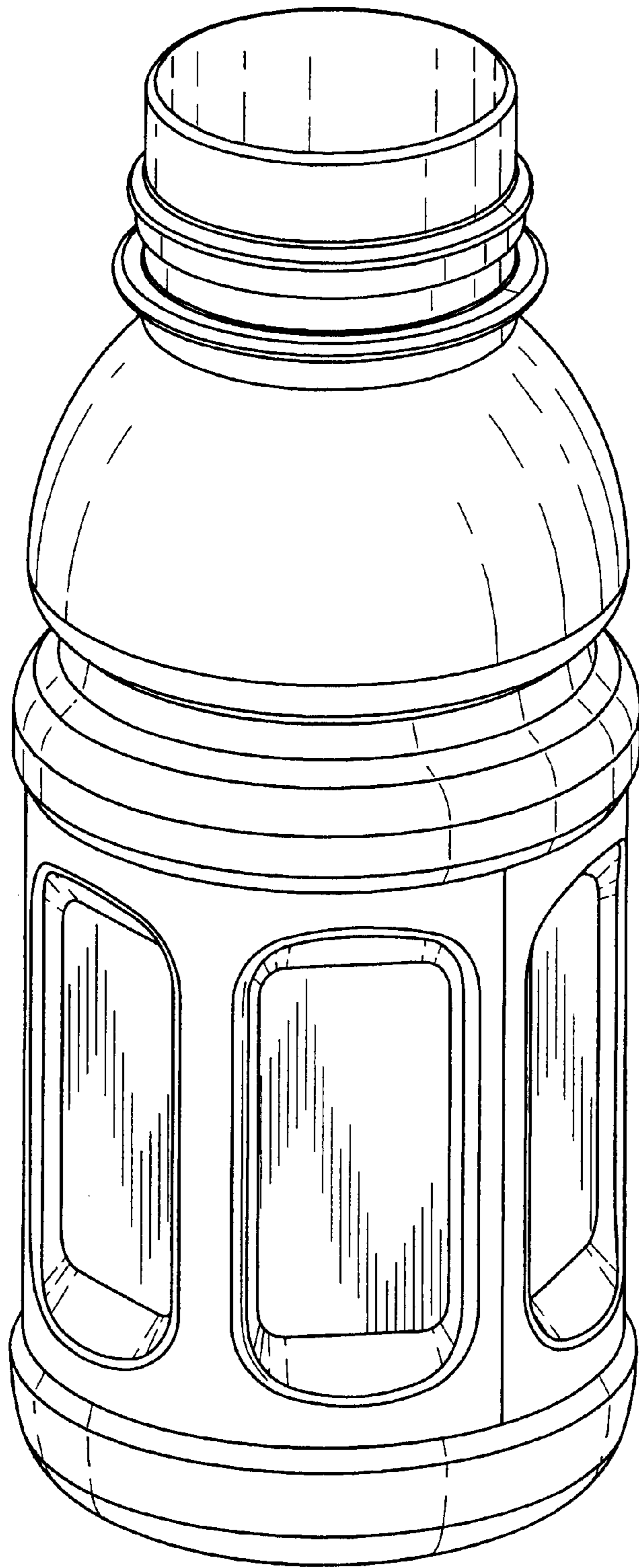


Fig. 4

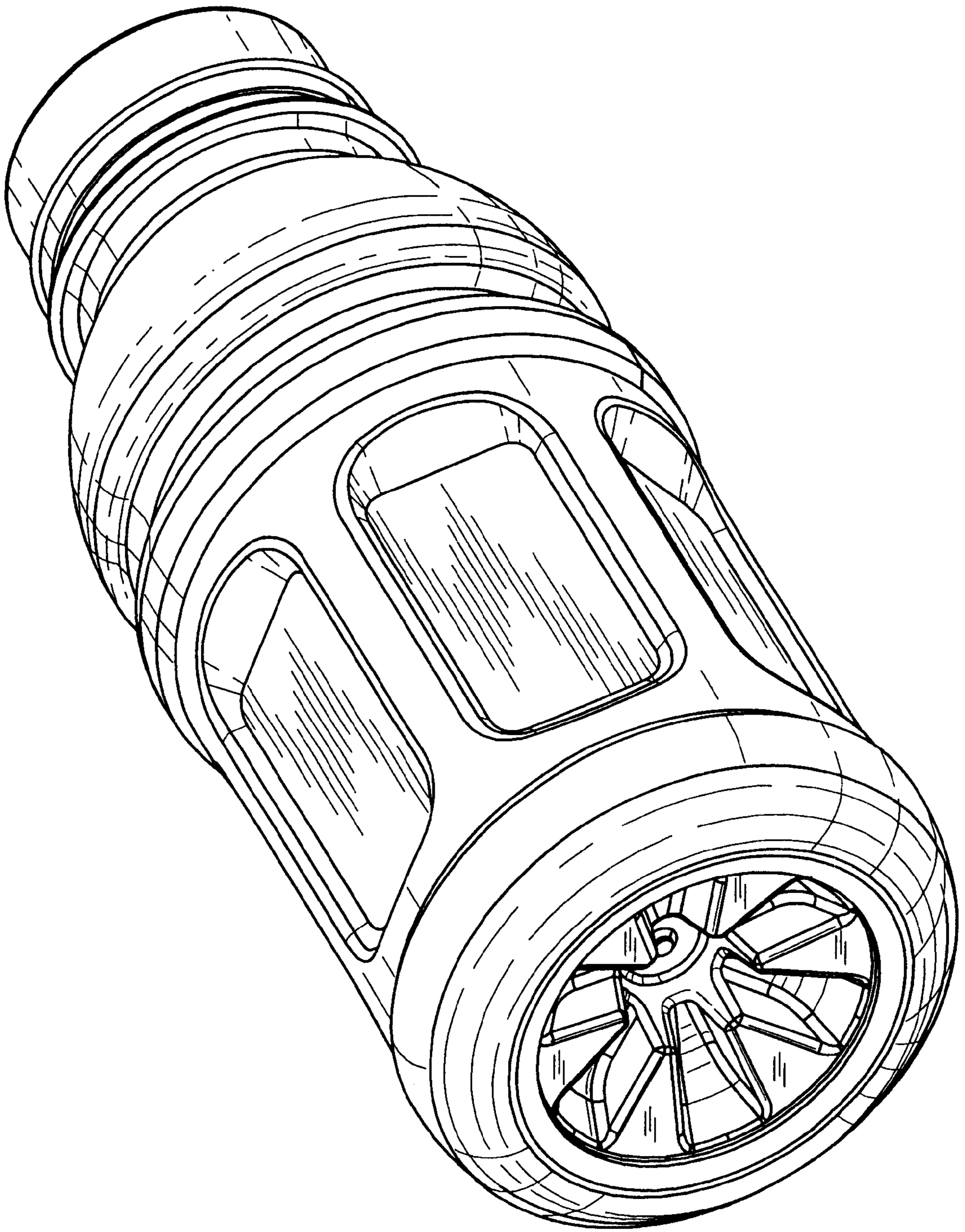


Fig. 5

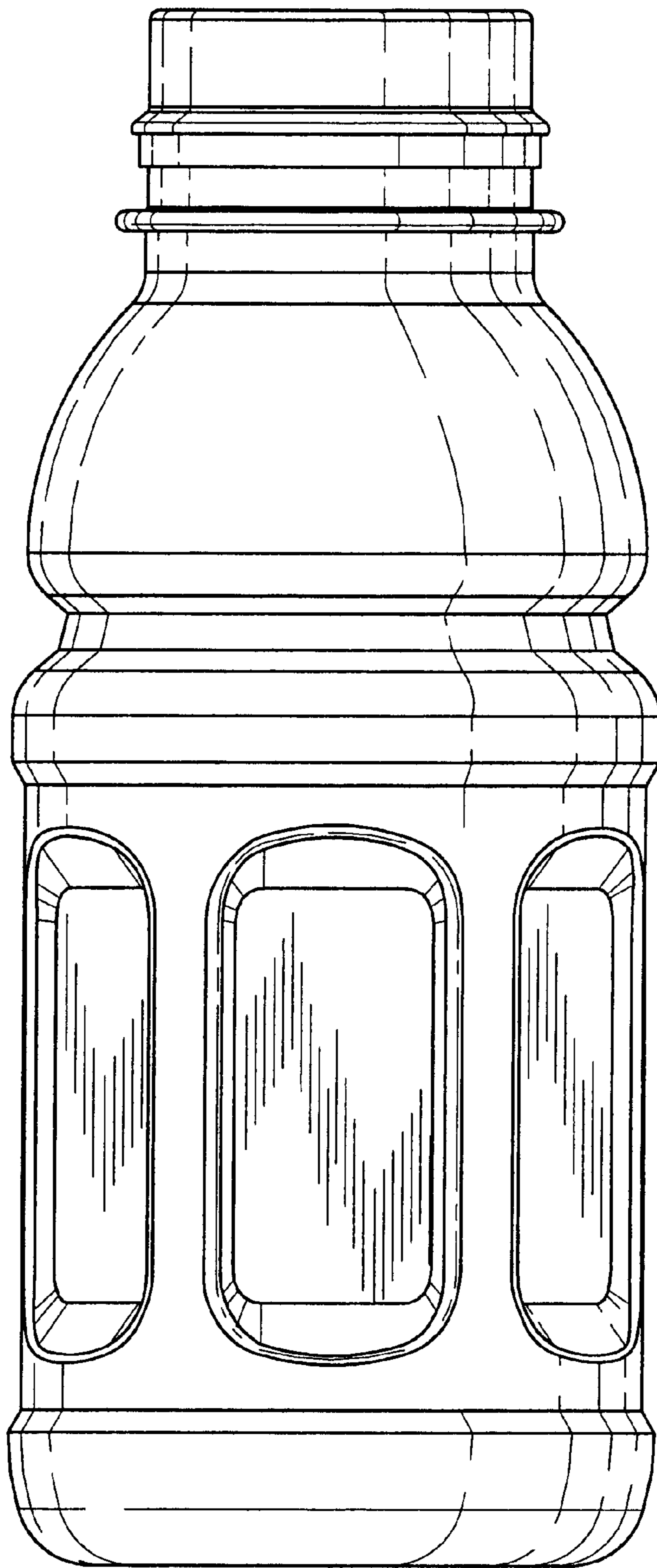


Fig. 6