



US00D465157S

(12) **United States Design Patent**
Yuen

(10) **Patent No.:** **US D465,157 S**

(45) **Date of Patent:** **** Nov. 5, 2002**

(54) **BAG CARRIER**

(76) Inventor: **Mitchell See Yuen**, 422 61st St., Apt.
#M, Brooklyn, NY (US) 11220

(**) Term: **14 Years**

(21) Appl. No.: **29/144,638**

(22) Filed: **Jul. 9, 2001**

(51) **LOC (7) Cl.** **09-07**

(52) **U.S. Cl.** **D9/434**

(58) **Field of Search** D9/434, 455, 499;
294/137, 158, 159, 169

(56) **References Cited**

U.S. PATENT DOCUMENTS

2,440,902	A	*	5/1948	Lutey	294/159
3,306,507	A	*	2/1967	Wilson	294/169
3,680,752	A		8/1972	Wilson		
D303,348	S	*	9/1989	Hix	D9/434
5,368,393	A		11/1994	Normann		

D409,913	S	*	5/1999	Le Roux	D9/434
D410,386	S	*	6/1999	Watkins	D9/434
D452,435	S	*	12/2001	Lichter	D9/434

* cited by examiner

Primary Examiner—Dominic Simone

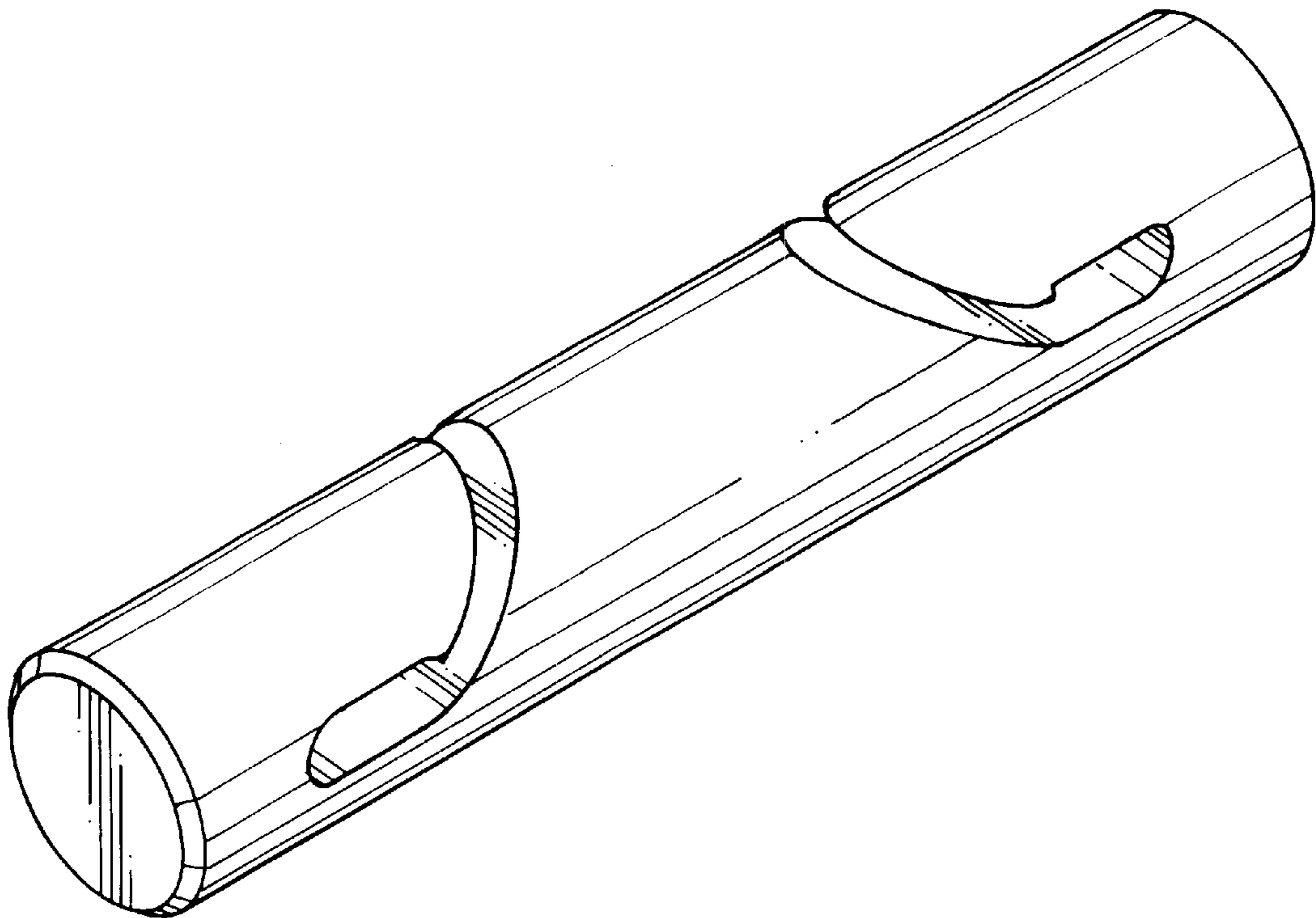
(57) **CLAIM**

I claim the ornamental design for a bag carrier, as shown and described.

DESCRIPTION

FIG. 1 is a perspective view of a bag carrier, showing my new design;
 FIG. 2 is a front elevational view thereof, the rear elevational view being identical to this Figure;
 FIG. 3 is a right end elevational view thereof, the left end elevational view being identical to this Figure;
 FIG. 4 is a top plan view thereof; and,
 FIG. 5 is a bottom plan view thereof.

1 Claim, 2 Drawing Sheets



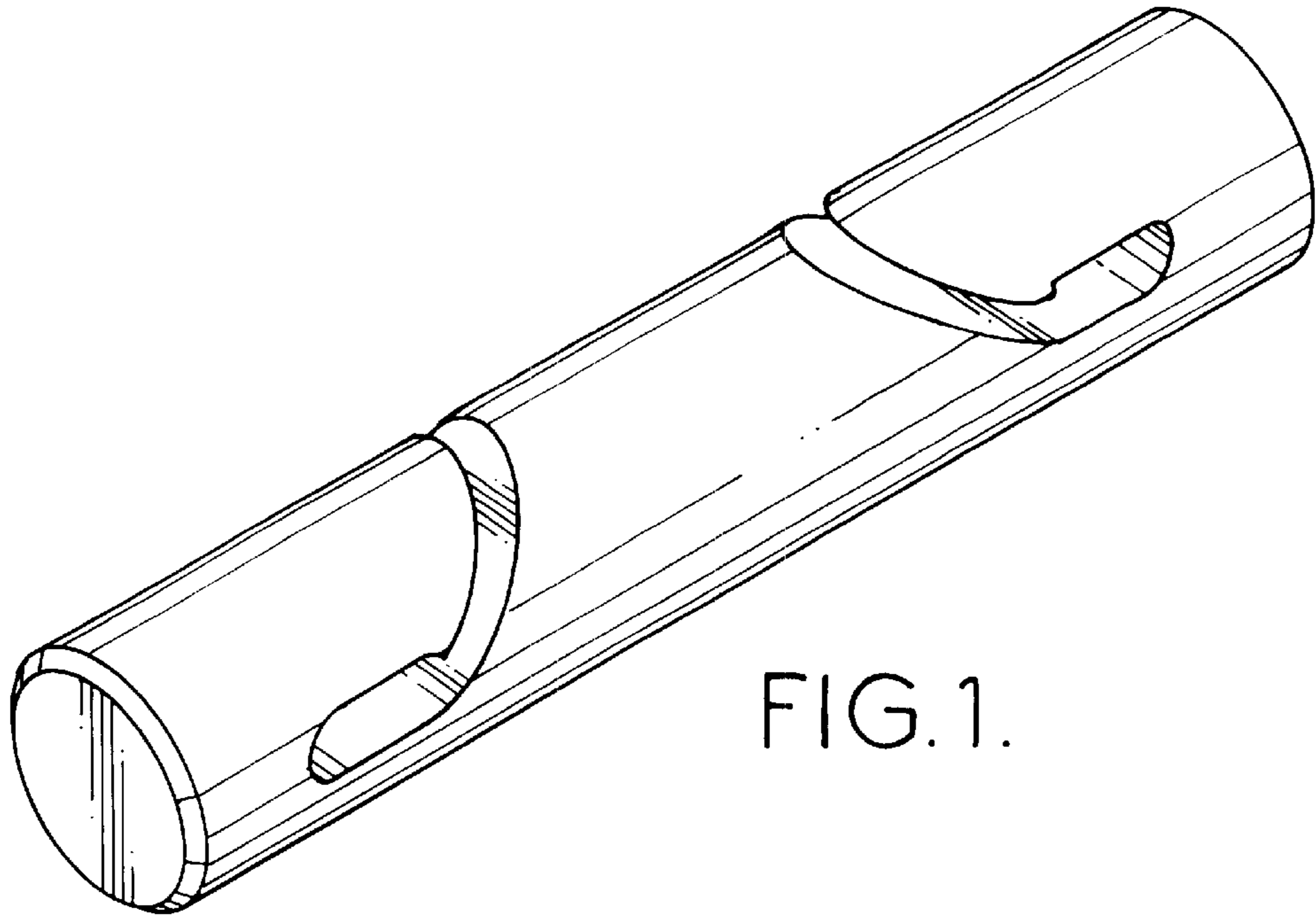


FIG. 1.

FIG. 2.

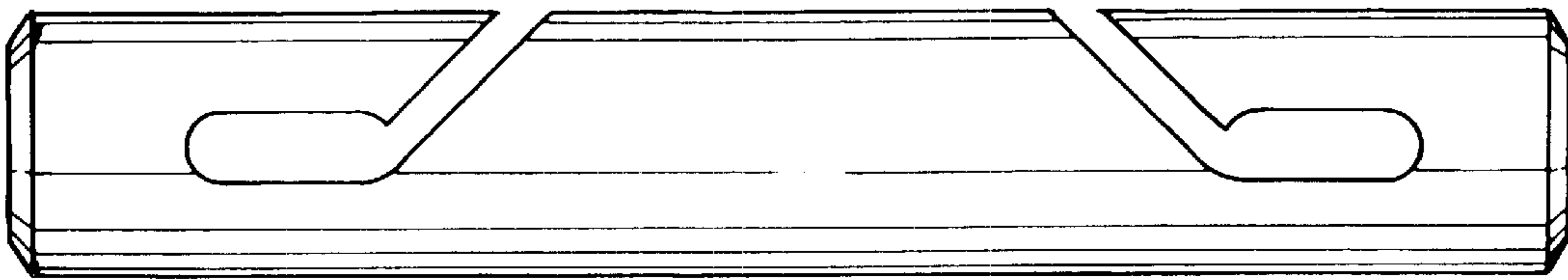


FIG. 3.

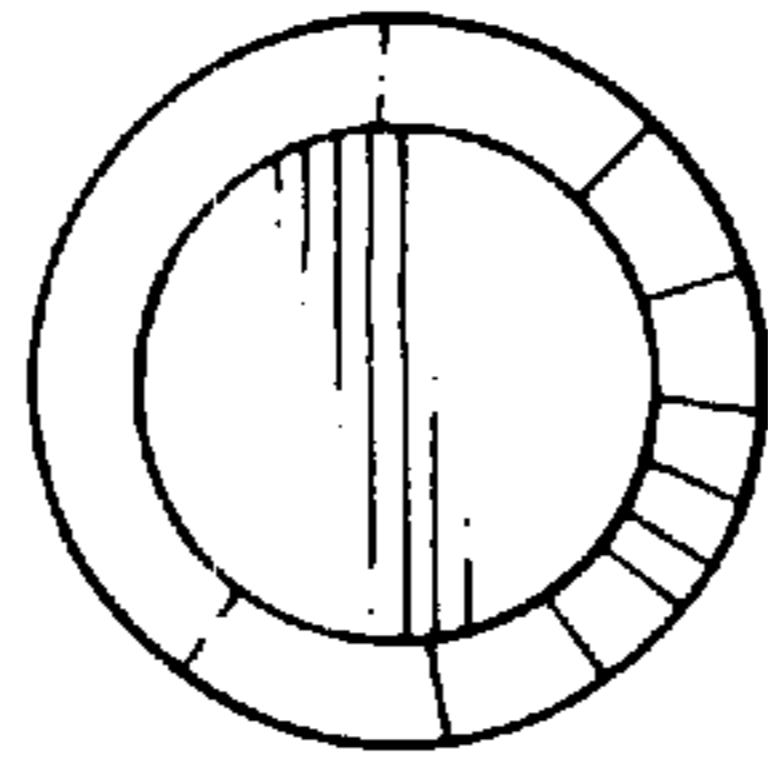


FIG. 4.

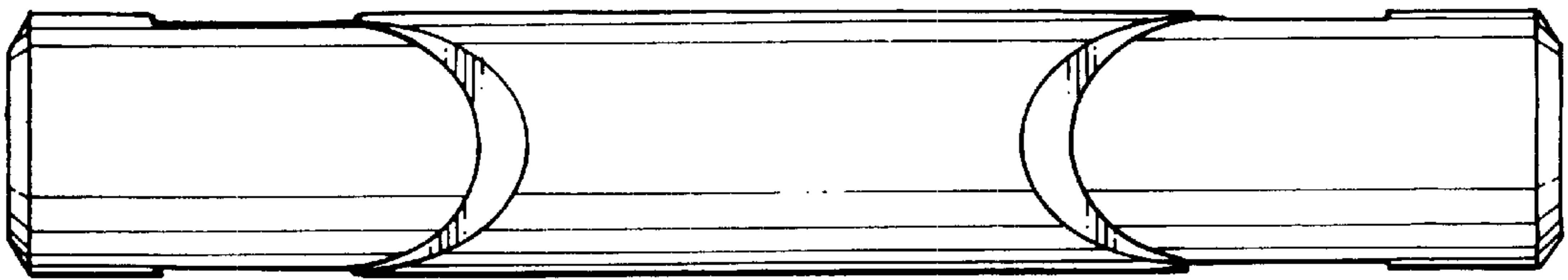


FIG. 5.

