



US00D465156S

(12) **United States Design Patent**
Glover et al.

(10) **Patent No.:** **US D465,156 S**

(45) **Date of Patent:** **** Nov. 5, 2002**

(54) **CARTON BLANK**

4,640,411 A * 2/1987 Fery 206/216

(75) Inventors: **Andrew J. Glover**, Launceston (GB);
Michael J. Bates, Bude (GB)

* cited by examiner

(73) Assignee: **David S. Smith Packaging Limited**,
Cornwall (GB)

Primary Examiner—James Gandy

Assistant Examiner—Daniel Bui

(**) Term: **14 Years**

(74) *Attorney, Agent, or Firm*—Dann, Dorfman, Herrell
and Skillman; Henry H. Skillman

(21) Appl. No.: **29/128,433**

(57) **CLAIM**

(22) Filed: **Aug. 24, 2000**

The ornamental design for a carton blank, as shown and
described.

(30) **Foreign Application Priority Data**

DESCRIPTION

Mar. 7, 2000 (GB) 2091166

FIG. 1 is a top perspective view of a carton blank in unfolded
condition, showing our new design;

(51) **LOC (7) Cl.** **09-03**

FIG. 2 is a perspective view thereof in partially folded
condition, with a broken line showing of a book to be
packaged for illustrative purposes and forming no part of the
design;

(52) **U.S. Cl.** **D9/433**

(58) **Field of Search** D9/433, 414, 415,
D9/416, 418, 419; 206/216, 223, 459.5,
162; 220/62, 375; 229/67.1, 67.4, 68.1,
300, 307, 75, 76, 123, 921

FIG. 3 is a perspective view thereof of the carton blank
shown in FIG. 1 in further folded condition showing a
backing strip partially removed;

(56) **References Cited**

FIG. 4 is a perspective view thereof in further folded
condition prior to sealing; and,

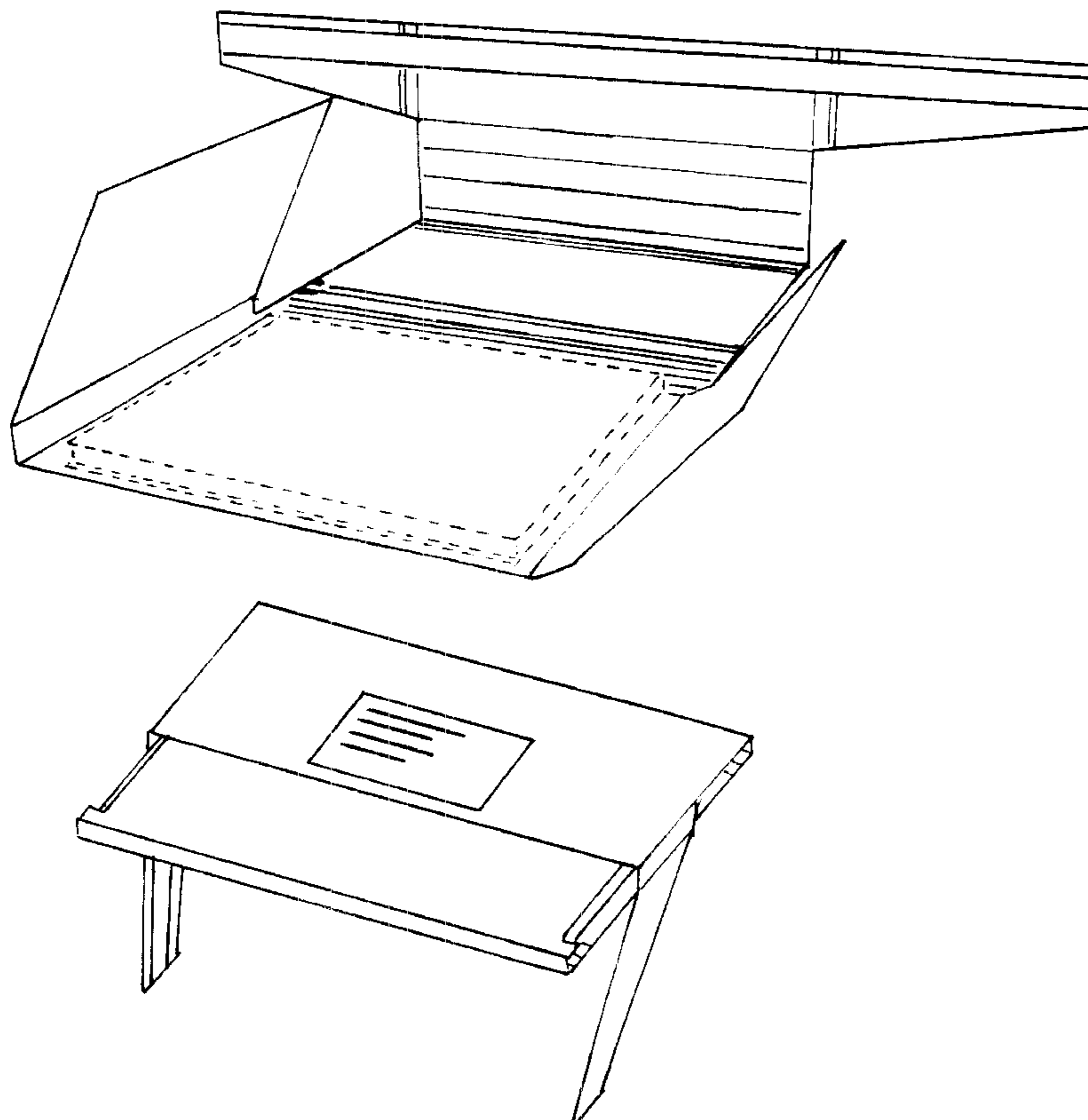
U.S. PATENT DOCUMENTS

FIG. 5 is a rear perspective view thereof in fully folded
condition.

1,956,802 A * 5/1934 Madison 229/35

2,833,400 A * 5/1958 Lefebvre et al. 206/56

1 Claim, 2 Drawing Sheets



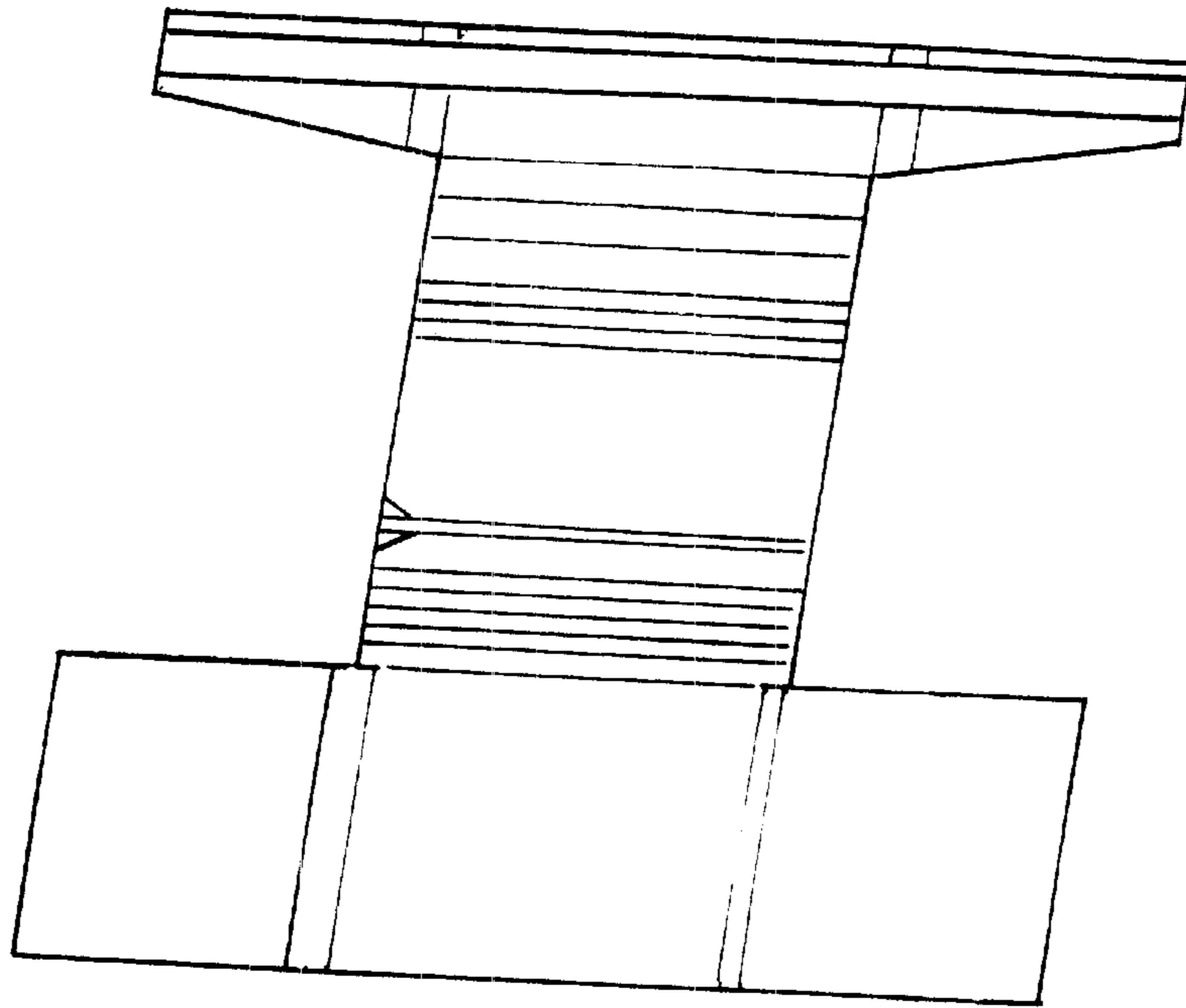
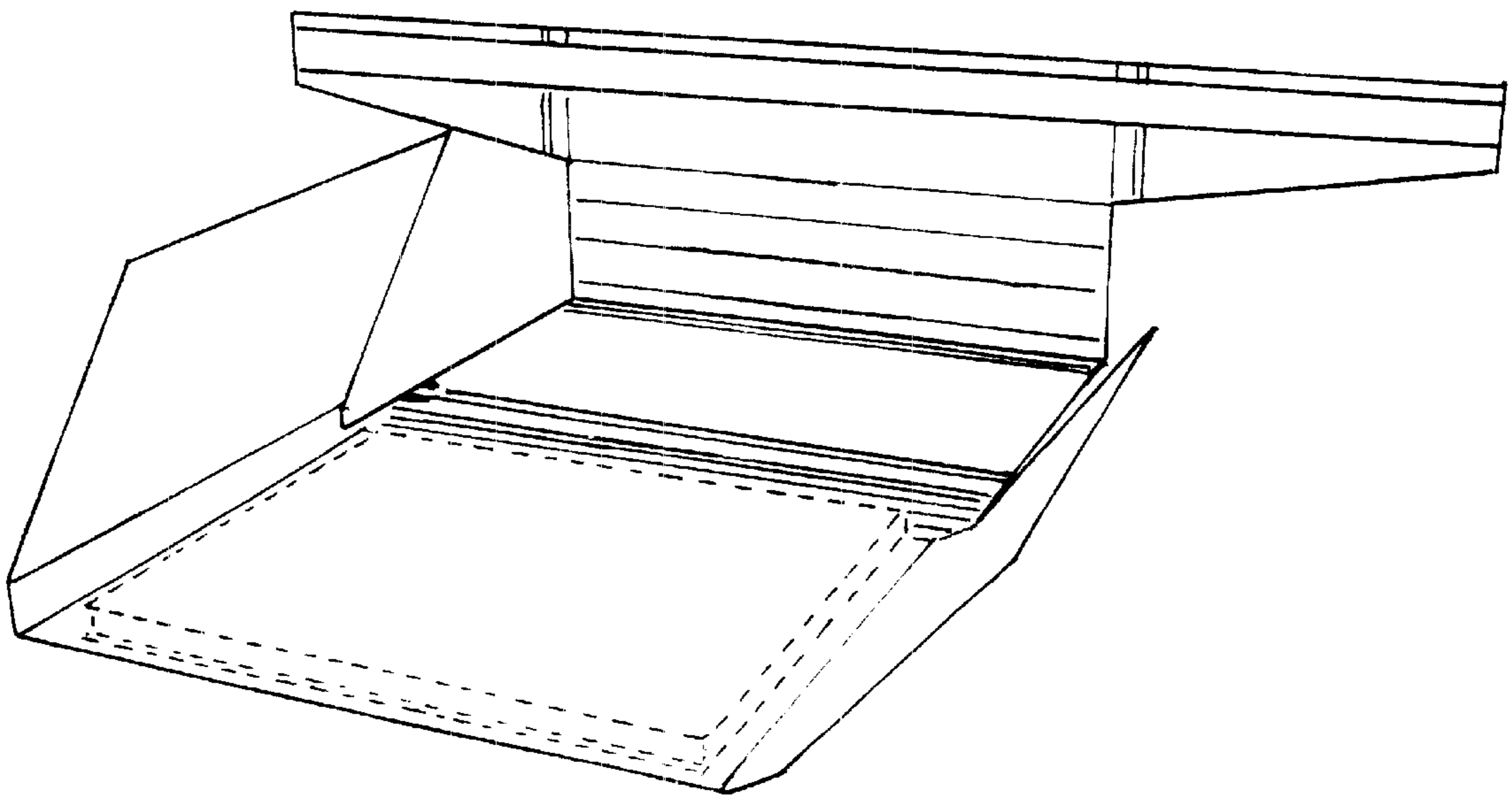


Fig. 1

Fig. 2



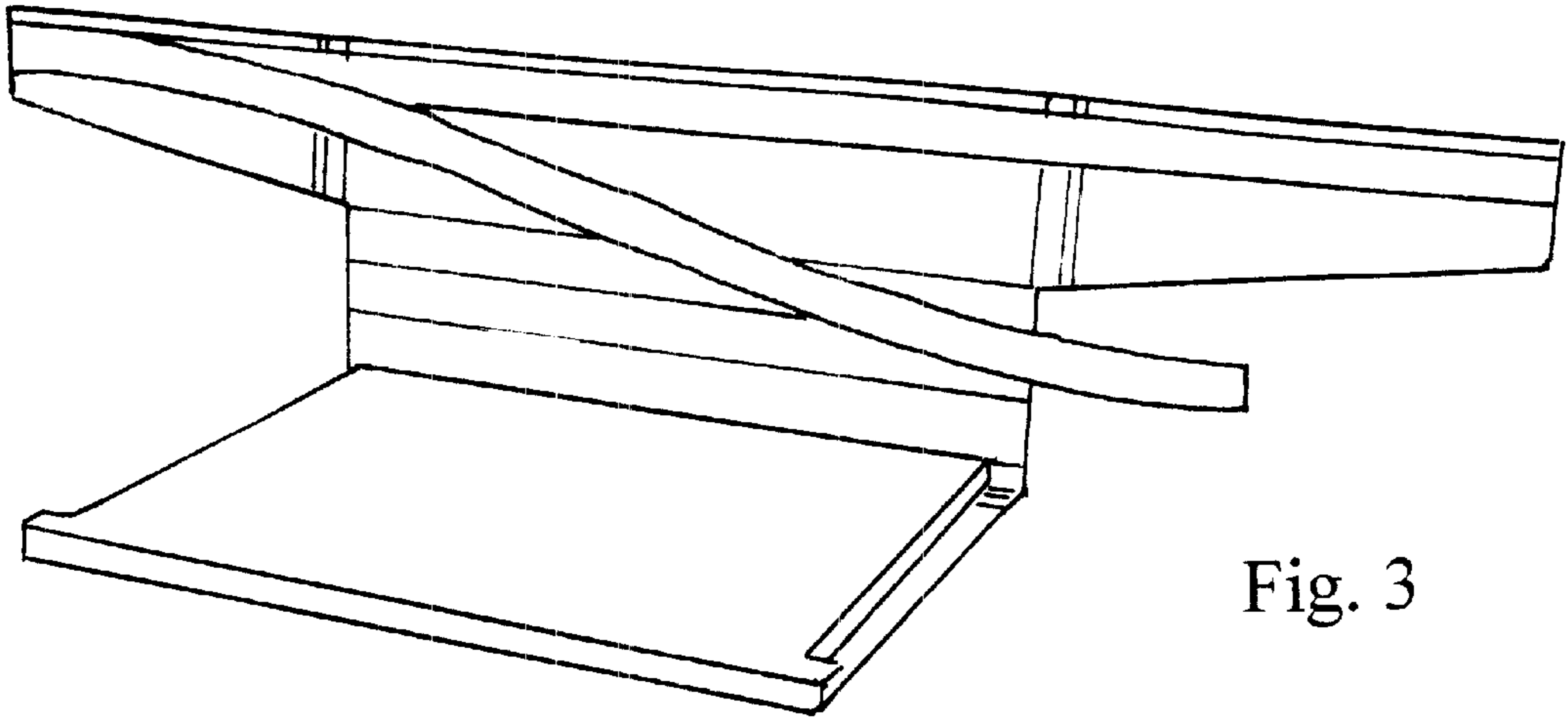


Fig. 3

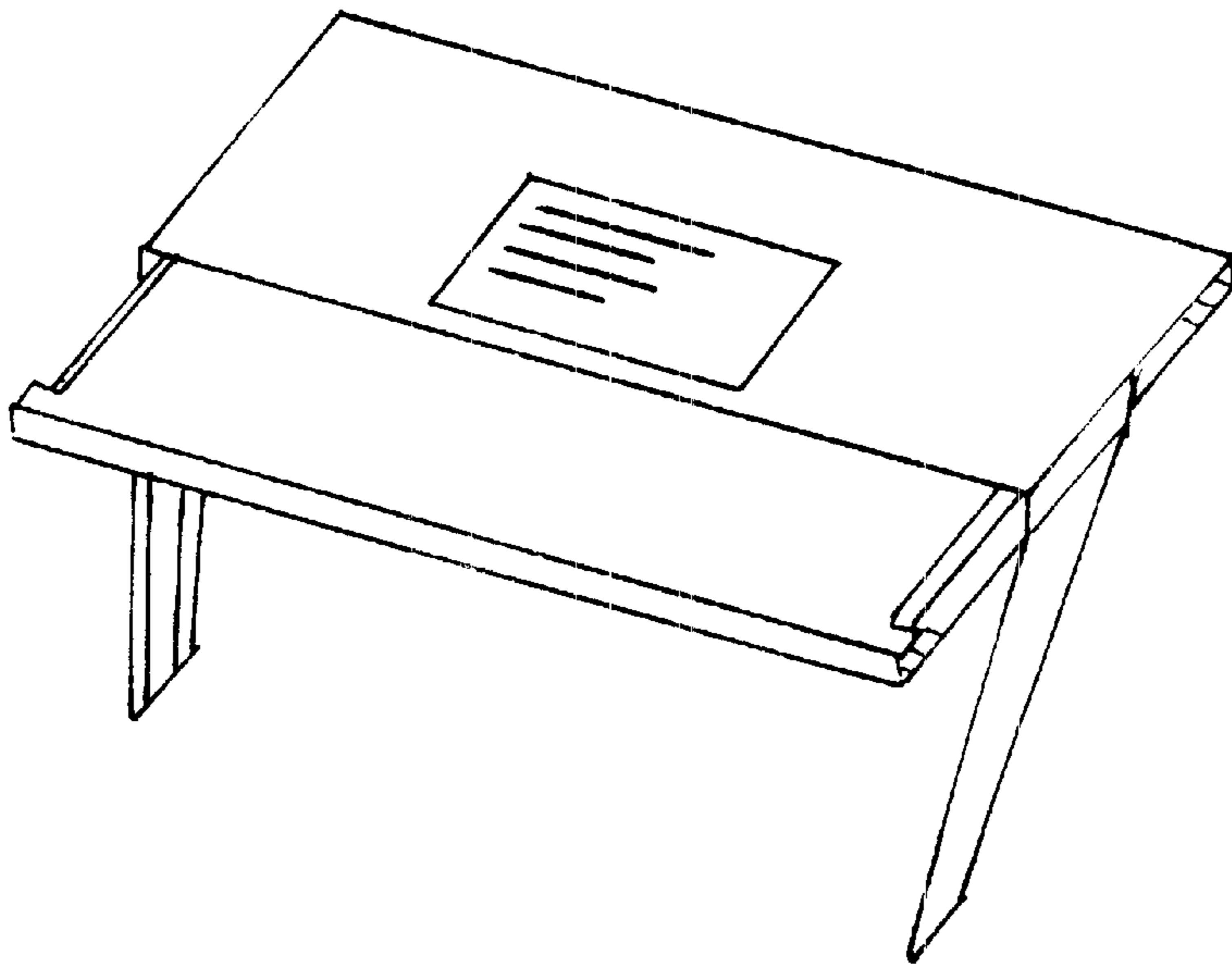


Fig. 4

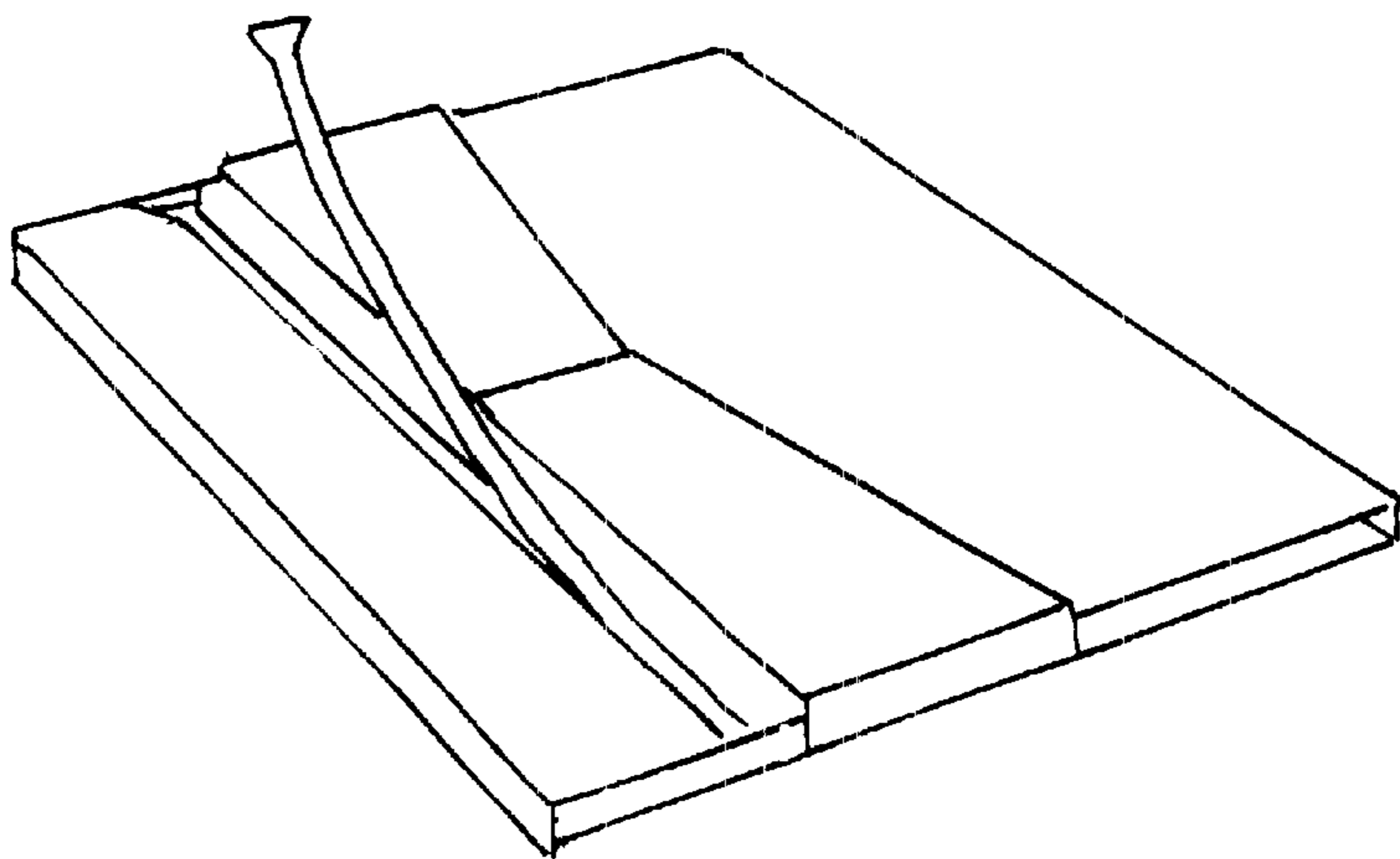


Fig. 5