



US00D465155S

(12) **United States Design Patent**  
**Weinstein et al.**

(10) **Patent No.:** **US D465,155 S**

(45) **Date of Patent:** **\*\* Nov. 5, 2002**

(54) **TUBULAR PACKAGING FOR DEADBOLT**

(75) Inventors: **Michael Weinstein**, Costa Mesa, CA (US); **Eric E. Thompson**, Costa Mesa, CA (US)

(73) Assignee: **Emhart LLC**, Newark, DE (US)

(\*\*) Term: **14 Years**

(21) Appl. No.: **29/126,376**

(22) Filed: **Jul. 14, 2000**

(51) **LOC (7) Cl.** ..... **09-03**

(52) **U.S. Cl.** ..... **D9/430**

(58) **Field of Search** ..... D9/430, 337-338, D9/341, 344, 500-501, 503, 432, 434-436, 414-415; 206/216, 320-321, 325, 349, 446, 486-487, 493, 499, 503, 505, 508, 514, 527, 821-822, 779; 220/23.91, 200, 212, 260, 262, 345.1, 351, 377, 600, 602, 610, 625, 655-656, 660, 662, 665, 667, 694, 699, 702, 729, 890

(56) **References Cited**

**U.S. PATENT DOCUMENTS**

D75,980 S	*	8/1928	Pfeiffer	
D106,790 S	*	11/1937	Guerlain	
2,316,384 A	*	4/1943	Abramson	229/3.5
2,979,192 A	*	4/1961	Blonder	206/46
3,768,637 A	*	10/1973	Whang	20/765
4,307,803 A		12/1981	Johnson	
4,317,515 A	*	3/1982	Feeley et al.	206/315 R
D266,487 S	*	10/1982	Mansau	D9/46
4,359,182 A		11/1982	Perkins, Jr.	
D299,114 S		12/1988	Klinge	
4,993,623 A		2/1991	Kelly et al.	
D315,095 S		3/1991	Wright	
D315,302 S		3/1991	Kistler	
D320,469 S		10/1991	Hoening	
5,064,056 A		11/1991	Gresh	
D324,823 S	*	3/1992	Scarpa et al.	D9/430
D328,248 S		7/1992	Ruff	

D328,706 S	*	8/1992	Ruff	D9/430
D361,262 S	*	8/1995	Lusker	D9/430
D367,226 S		2/1996	Ransbottom	
5,718,335 A		2/1998	Boudreaux	
D394,384 S		5/1998	Humphrey	
5,816,411 A		10/1998	Smith	
D405,370 S		2/1999	Humphrey	
D406,056 S		2/1999	Flores et al.	
D406,528 S		3/1999	Flores et al.	
5,890,593 A		4/1999	Humphrey	
D414,108 S		9/1999	Humphrey	
6,047,833 A	*	4/2000	Salomon	206/765
D424,427 S		5/2000	Saputo et al.	

\* cited by examiner

*Primary Examiner*—Ted Shooman

*Assistant Examiner*—Daniel Bui

(74) *Attorney, Agent, or Firm*—Harness, Dickey & Pierce, P.L.C.

(57) **CLAIM**

The ornamental design for a tubular packaging for deadbolts, as shown and described.

**DESCRIPTION**

FIG. 1 is a perspective view of a tubular packaging for a deadbolt in accordance with the present invention;

FIG. 2 is a top plan view of the present invention shown in FIG. 1, it being understood that the bottom plan view is identical thereto;

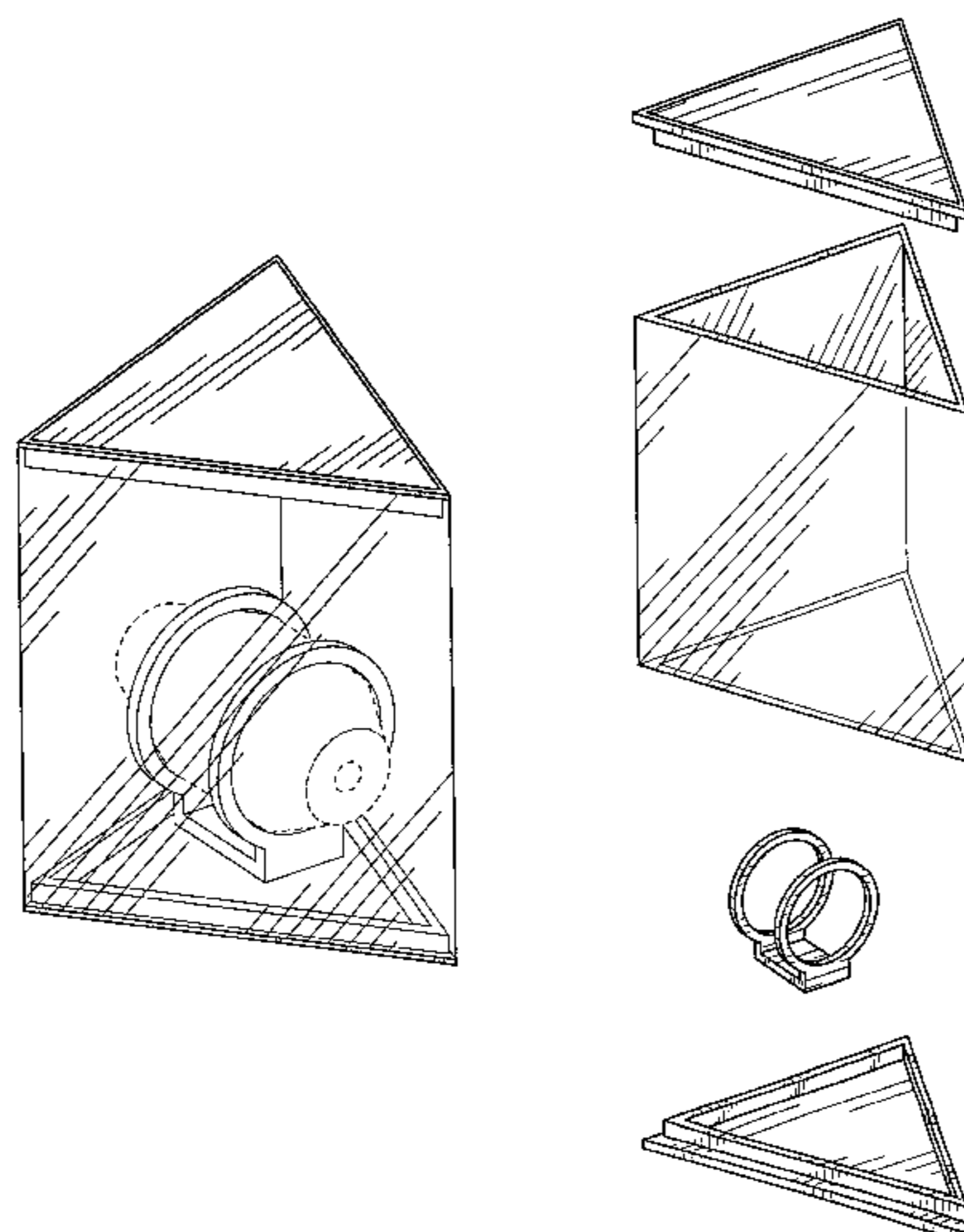
FIG. 3 is a front elevational view of the present invention shown in FIG. 1;

FIG. 4 is an exploded perspective view in reduced size illustrating the components of the tubular packaging for a deadbolt of the present invention shown in FIG. 1; and,

FIG. 5 is a left side view of the present invention shown in FIG. 1, it being understood that the right side is identical thereto.

The broken line showing of the environment is for illustrative purposes only and forms no part of the claimed design.

**1 Claim, 3 Drawing Sheets**



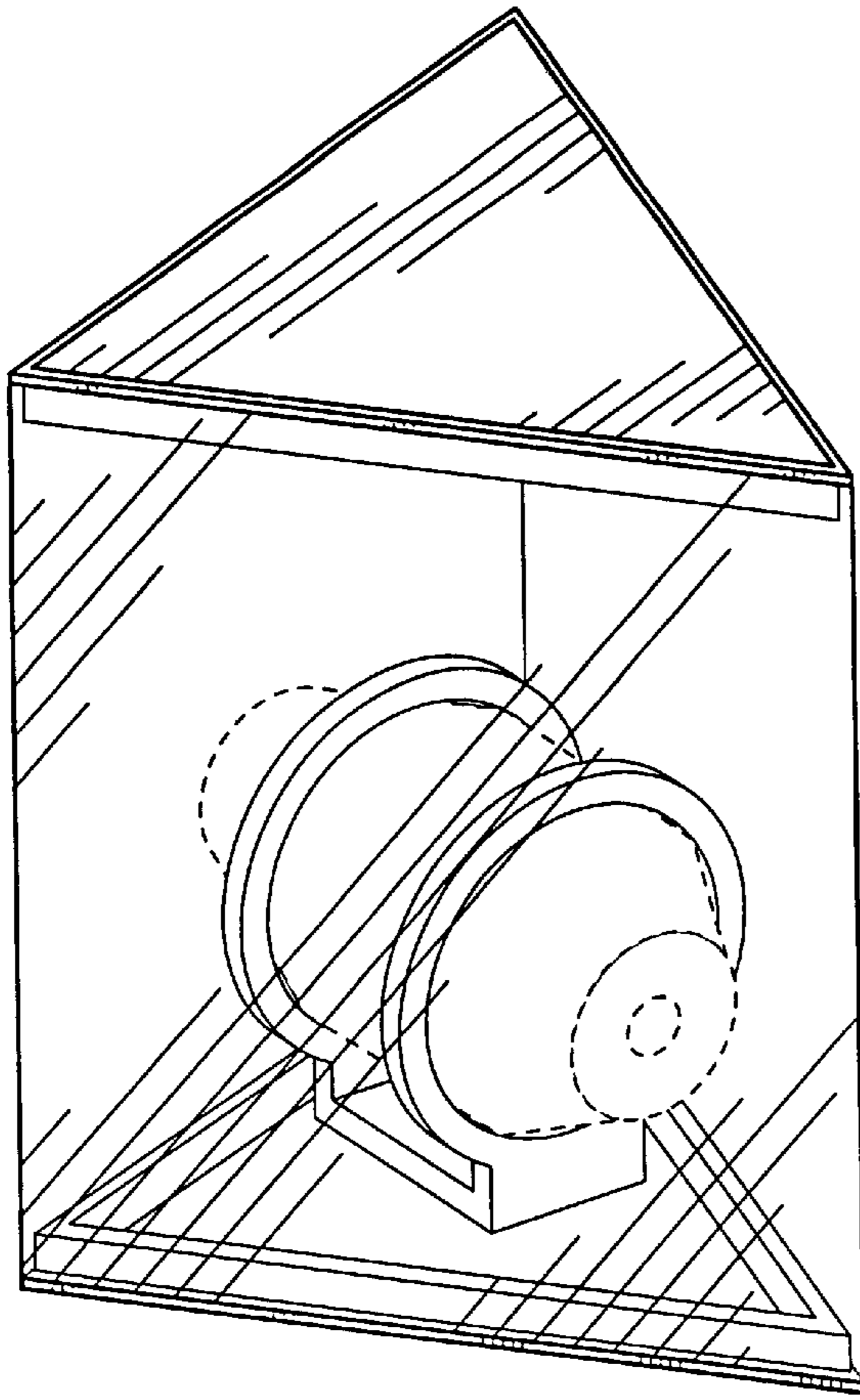


FIG. 1

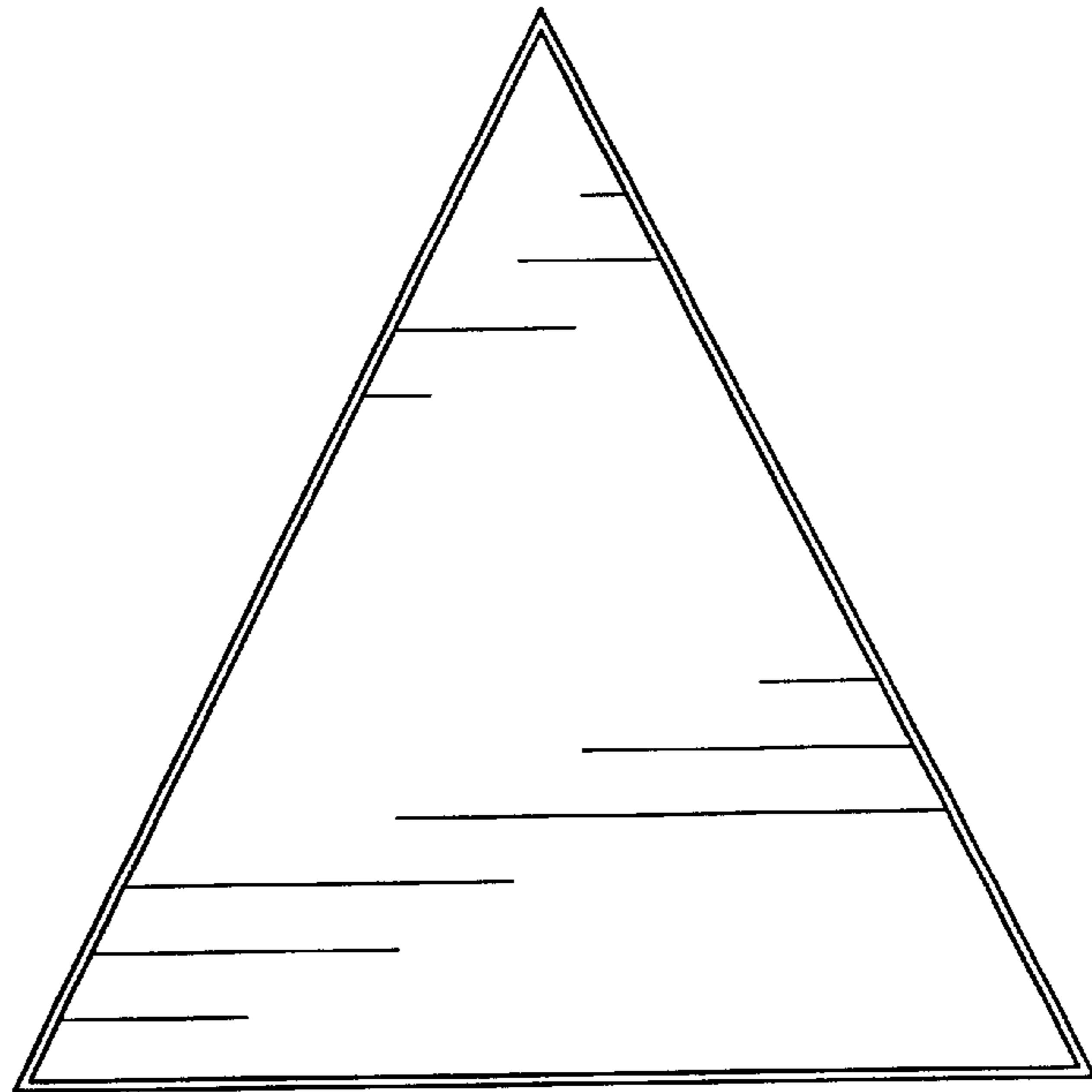


FIG. 2

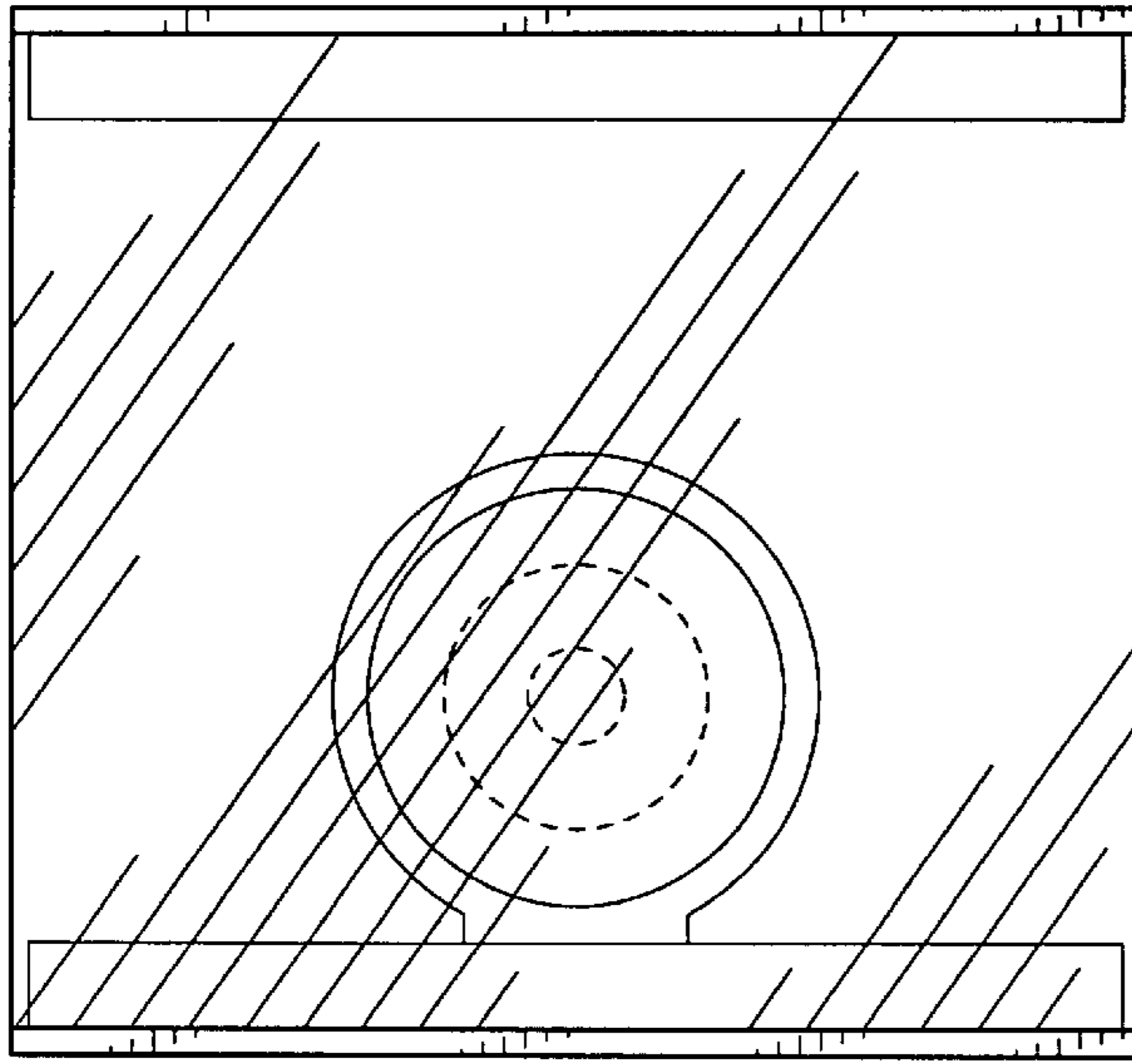


FIG. 3

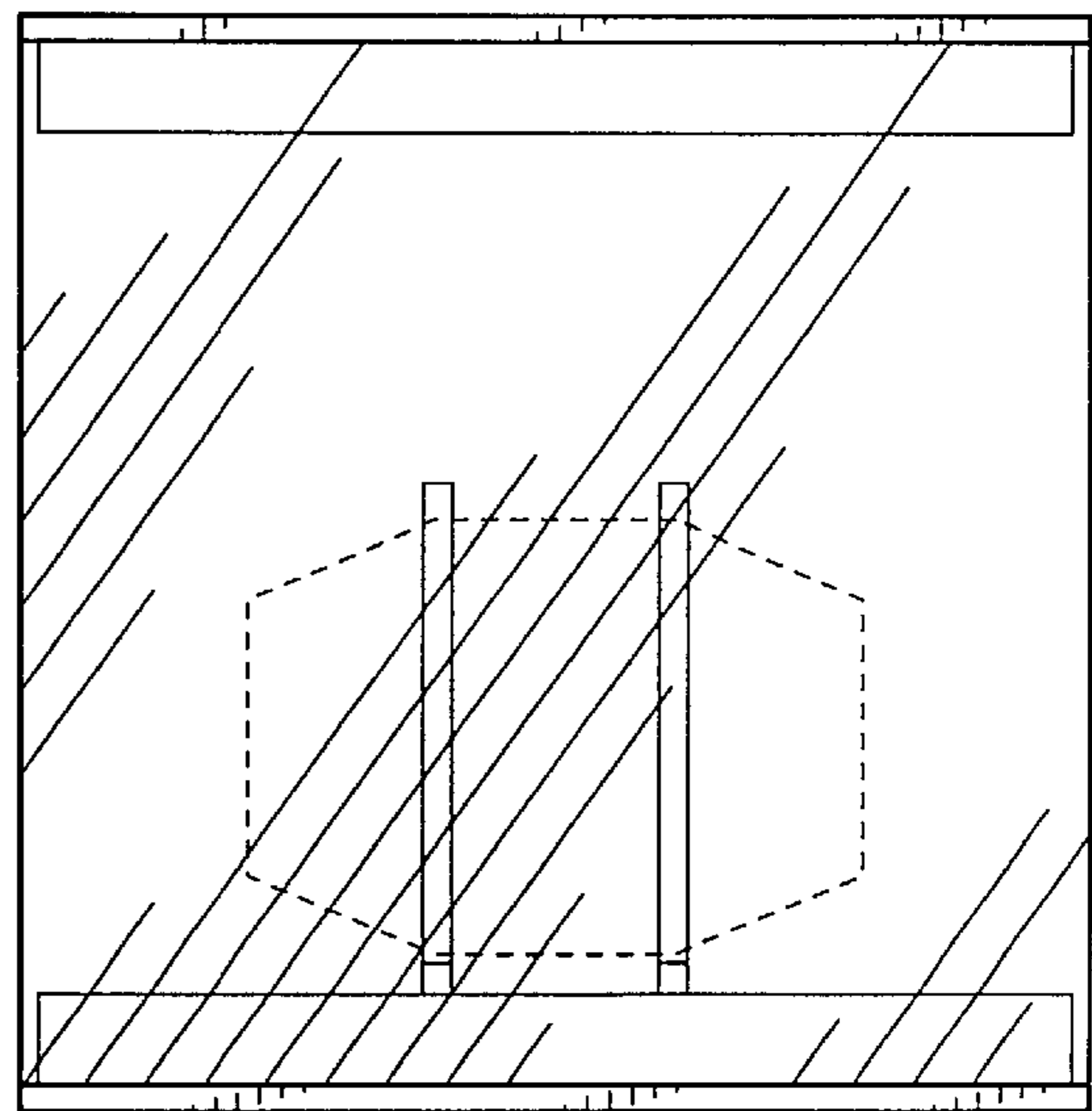


FIG. 5

