



US00D465151S

(12) **United States Design Patent**
Mixon

(10) **Patent No.:** **US D465,151 S**

(45) **Date of Patent:** **** Nov. 5, 2002**

(54) **DUMBBELL SHAPED BEVERAGE BOTTLE**

D422,904 S * 4/2000 Lepsius et al. D9/307

(76) Inventor: **Jeffrey Todd Mixon**, 3074 Hathaway Ct., Atlanta, GA (US) 30341

* cited by examiner

(**) Term: **14 Years**

Primary Examiner—Terry A. Wallace

(74) *Attorney, Agent, or Firm*—Pennie & Edmonds LLP

(21) Appl. No.: **29/150,744**

(57) **CLAIM**

(22) Filed: **Nov. 29, 2001**

The ornamental design for the dumbbell shaped beverage bottle, as shown and described.

(51) **LOC (7) Cl.** **09-01**

DESCRIPTION

(52) **U.S. Cl.** **D9/307**

FIG. 1 is a top, front and side perspective view of an ornamental design for a dumbbell shaped beverage bottle according to the present invention;

(58) **Field of Search** D9/307, 500–504, D9/549, 538, 555; D21/681; 482/106, 108; 215/381–384, 400

FIG. 2 is a front elevation view thereof; the left side, right side and rear elevation being identical thereto;

FIG. 3 is a top plan view thereof; and,

FIG. 4 is a bottom plan view thereof.

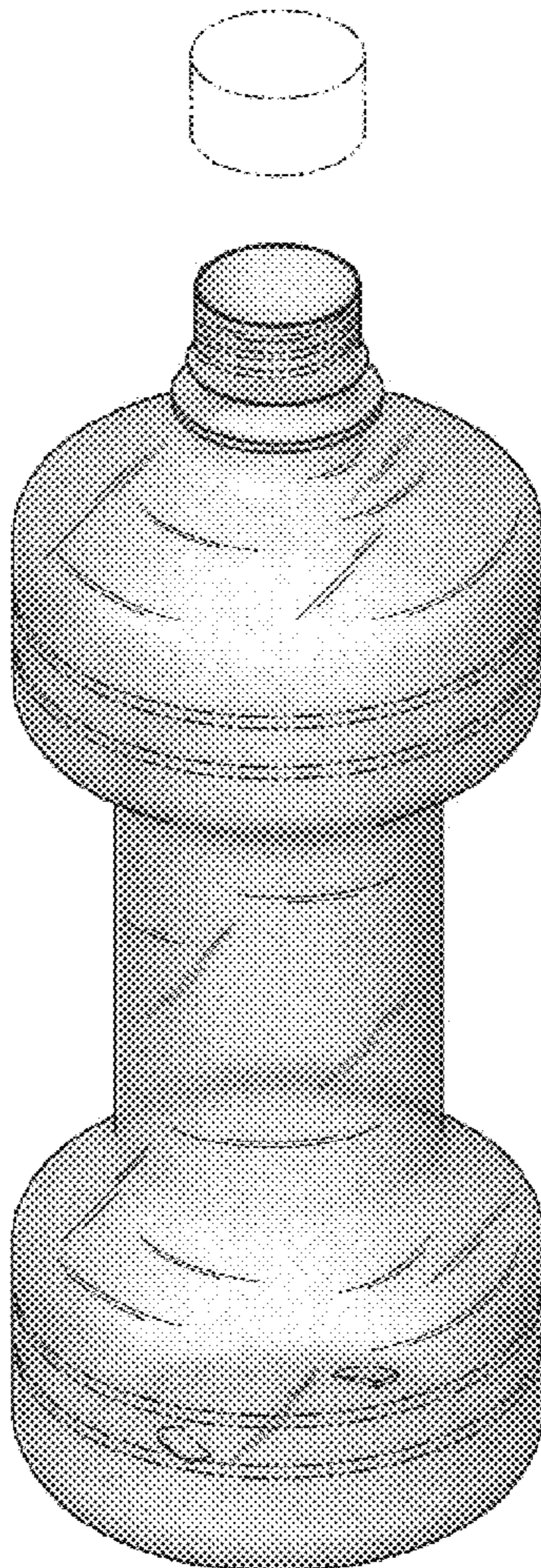
(56) **References Cited**

All portions shown in broken lines are environmental and illustrative only and form no part of the claimed design.

U.S. PATENT DOCUMENTS

- 4,538,806 A * 9/1985 Wilkerson 482/108
- D317,256 S * 6/1991 Samuels D9/503
- D337,522 S * 7/1993 Kingsbury D9/307 X

1 Claim, 3 Drawing Sheets



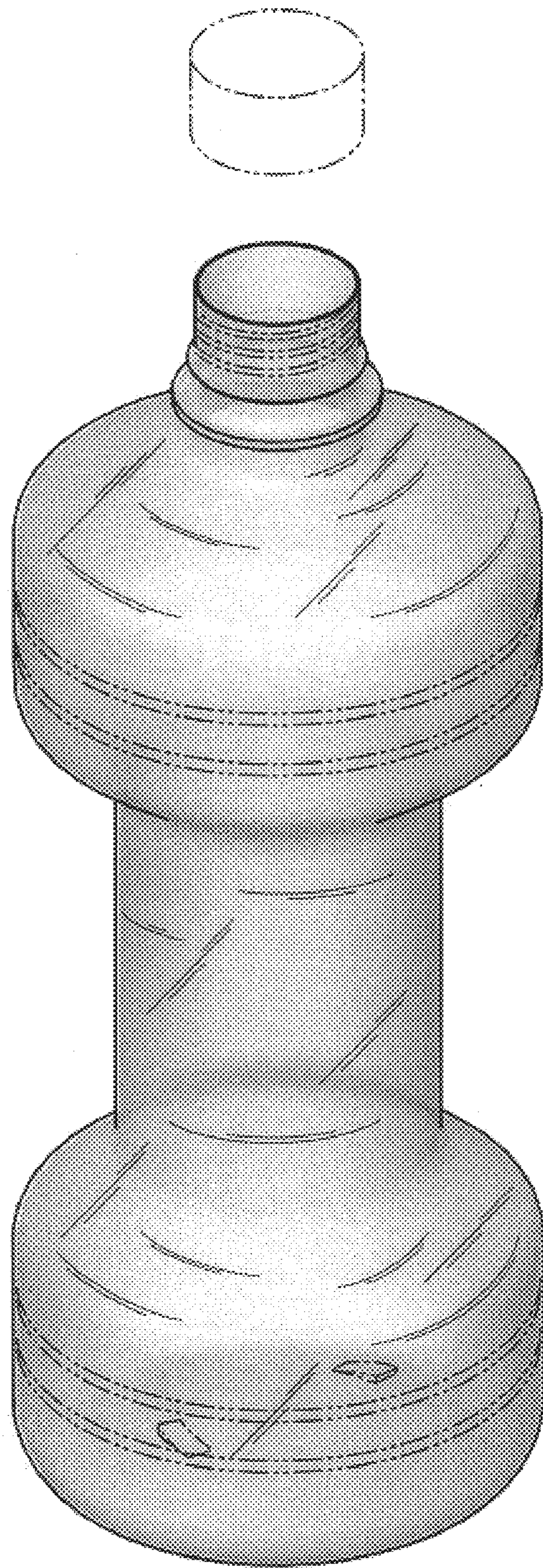


Fig. 1

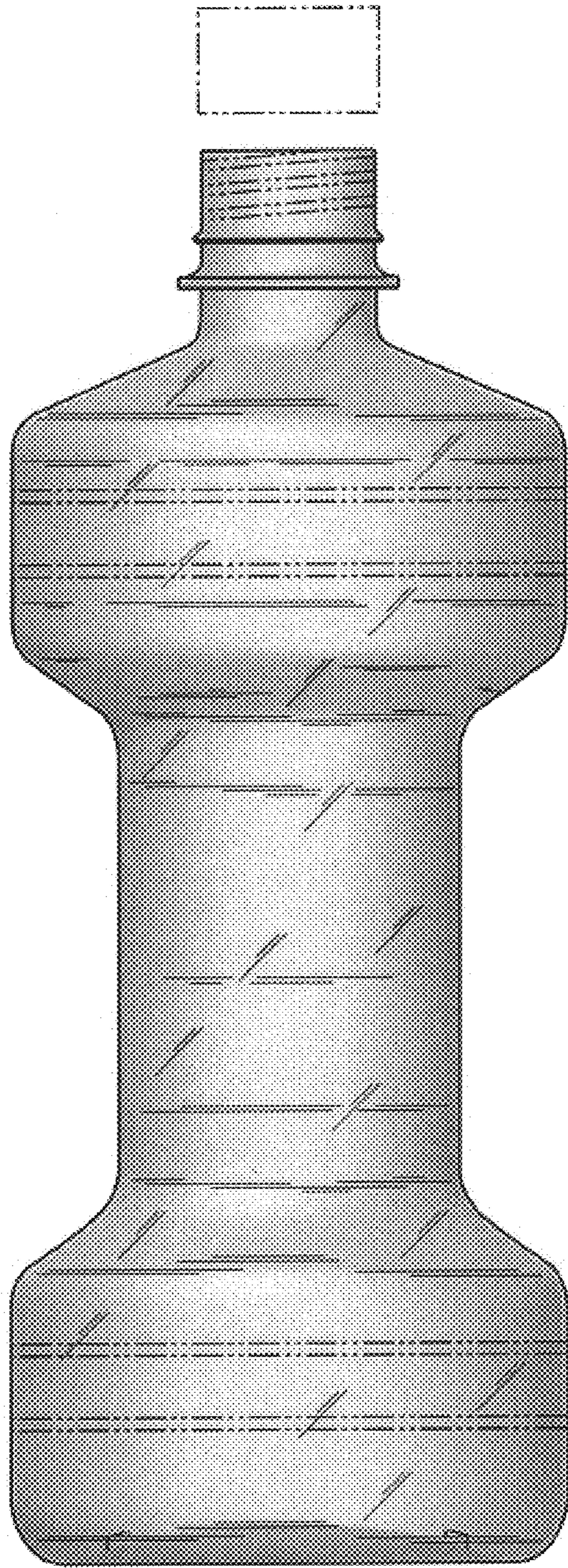


Fig. 2

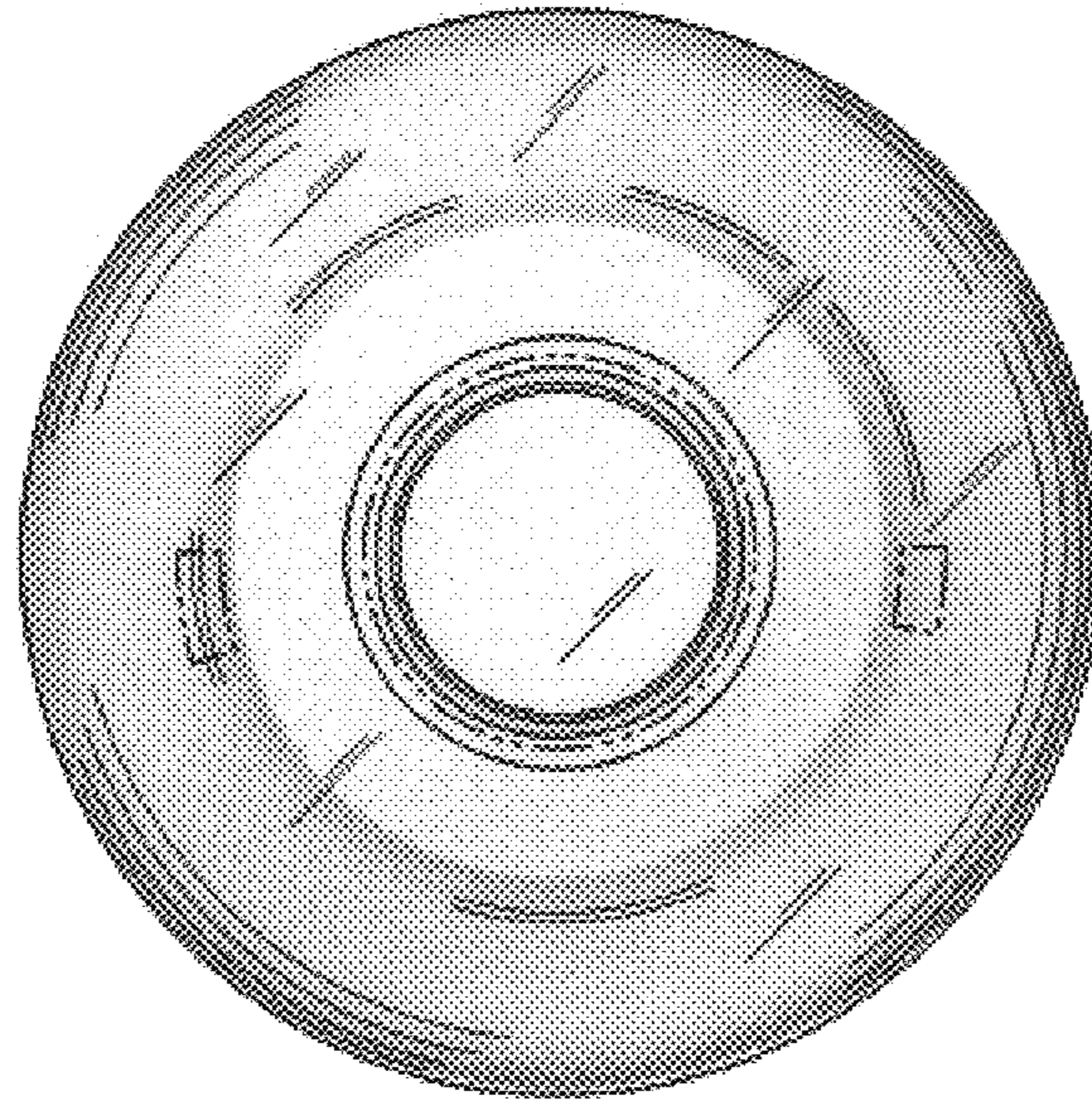


Fig. 3

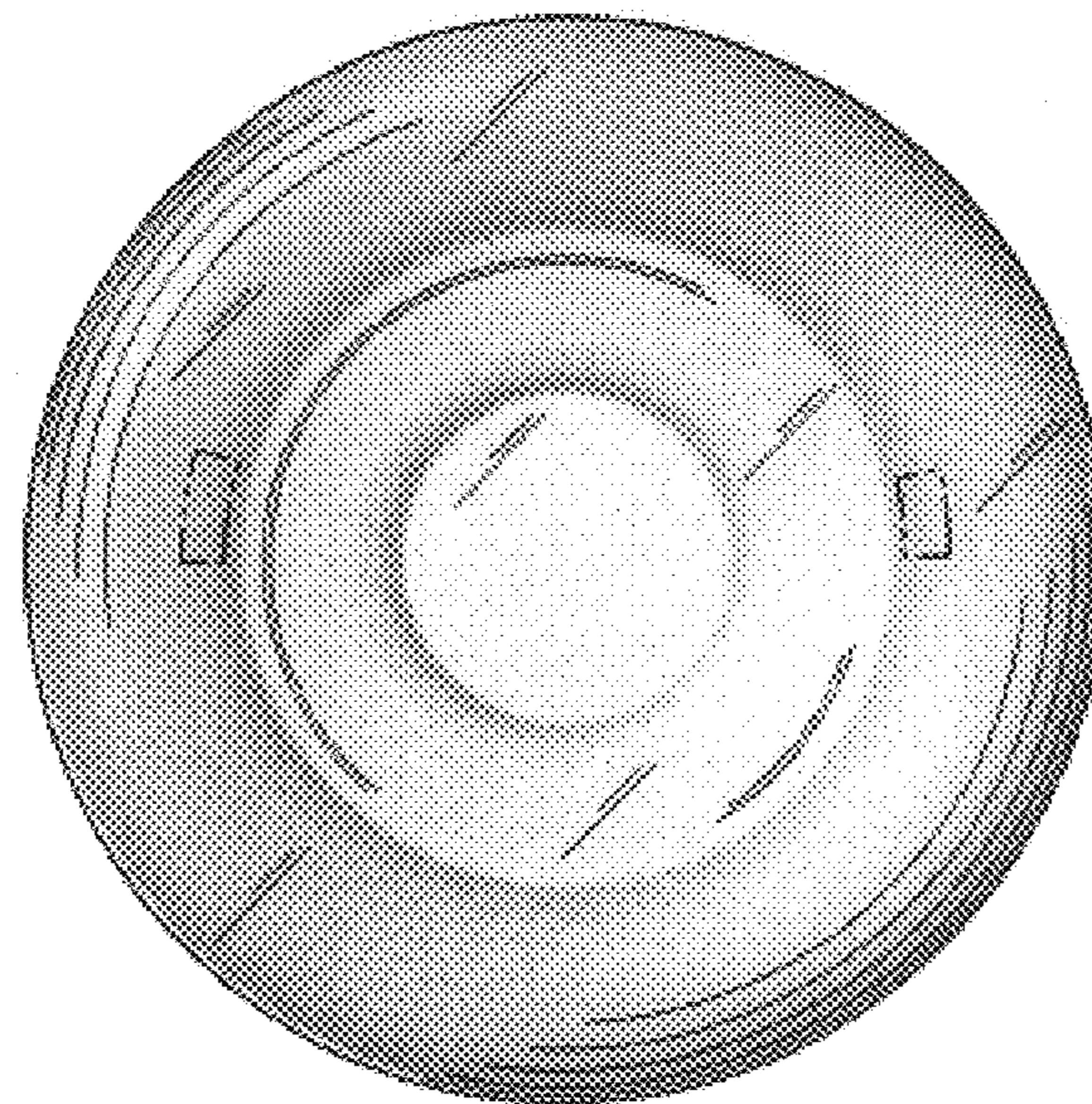


Fig. 4