



US00D465149S

(12) **United States Design Patent**
Bennett et al.

(10) **Patent No.:** **US D465,149 S**

(45) **Date of Patent:** **** Nov. 5, 2002**

(54) **FRAGRANCE BOTTLE WITH CAP**

(75) Inventors: **Adrian Charles Bennett**, London
(GB); **Kerrin Maurice Lyons**, London
(GB)

(73) Assignee: **Lentheric Limited**, Herts (GB)

(**) Term: **14 Years**

(21) Appl. No.: **29/141,473**

(22) Filed: **May 7, 2001**

(30) **Foreign Application Priority Data**

Nov. 10, 2000 (GB) 2097309

(51) **LOC (7) Cl.** **09-01**

(52) **U.S. Cl.** **D9/300**

(58) **Field of Search** D9/300; D1/106;
D10/40; 220/4.21, 4.25; 222/456, 563;
426/104, 90, 132; 206/6.1, 457, 564, 521.2

(56) **References Cited**

U.S. PATENT DOCUMENTS

294,575 A * 3/1884 Britton 426/104
911,051 A * 2/1909 Bourgeois 220/4.25
1,388,094 A * 8/1921 Buttigieg 206/6.1
3,741,379 A * 6/1973 Kappler et al. 206/457
D318,240 S * 7/1991 Pang D10/40
D383,972 S * 9/1997 Weiss D9/300

5,792,496 A * 8/1998 Fekete et al. 426/104
D422,899 S * 4/2000 Kudo D9/300
6,099,872 A * 8/2000 Whetstone, Jr. 426/90

* cited by examiner

Primary Examiner—Paula A. Mortimer

(74) *Attorney, Agent, or Firm*—Vorys, Sater, Seymour and Pease LLP

(57) **CLAIM**

The ornamental design for a fragrance bottle with cap, as shown and described.

DESCRIPTION

FIG. 1 is a perspective view of a fragrance bottle with cap, embodying our new design;

FIG. 2 is a side elevational view thereof, all other side views being identical;

FIG. 3 is a side elevational view thereof with the cover removed;

FIG. 4 is a top view thereof with the cover removed;

FIG. 5 is a perspective view of a second embodiment of a fragrance bottle with cap;

FIG. 6 is a side elevational view thereof, all other side views being identical;

FIG. 7 is a side elevational view thereof with the cover removed; and,

FIG. 8 is a top view thereof with the cover removed.

1 Claim, 4 Drawing Sheets

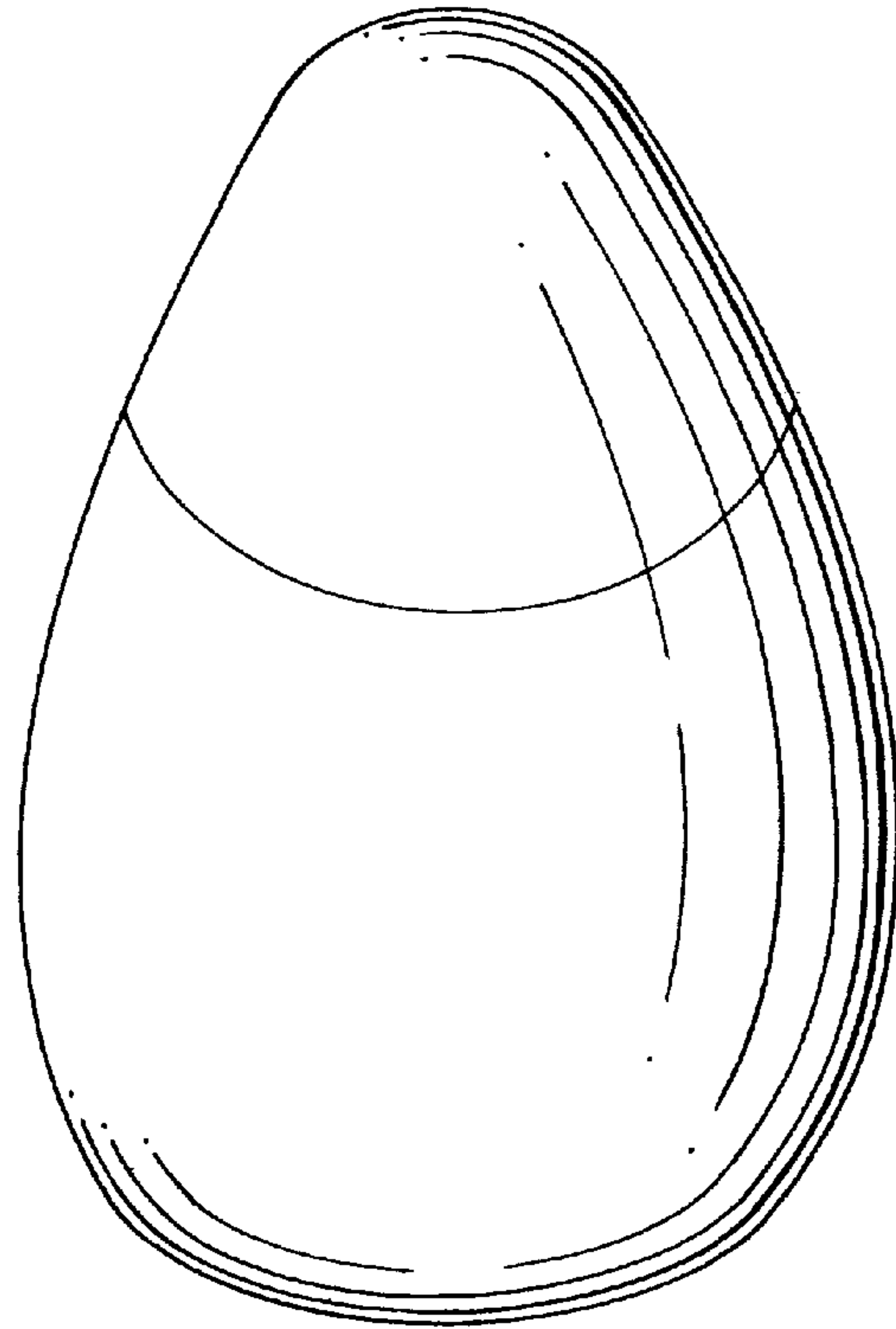
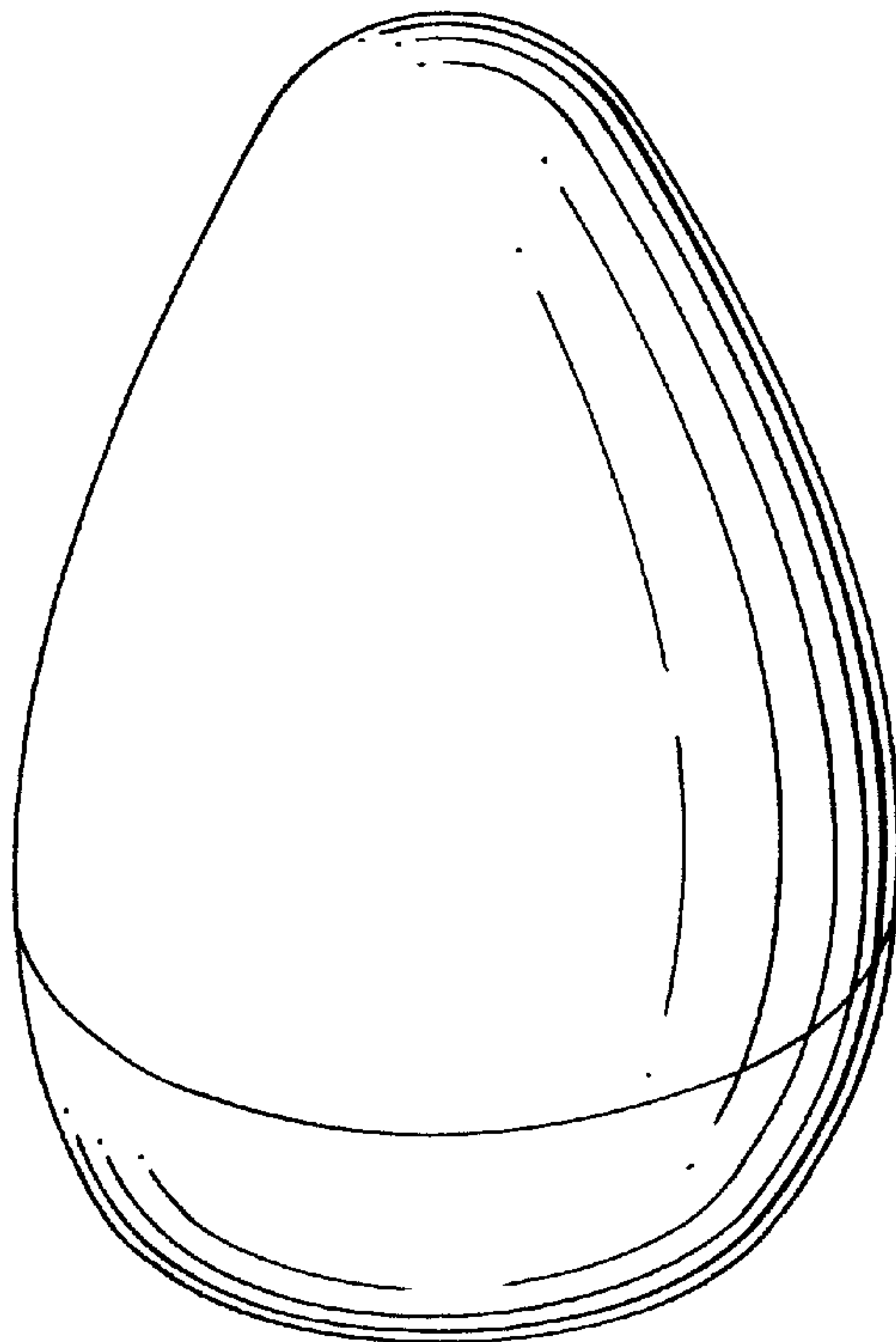


FIG. 1

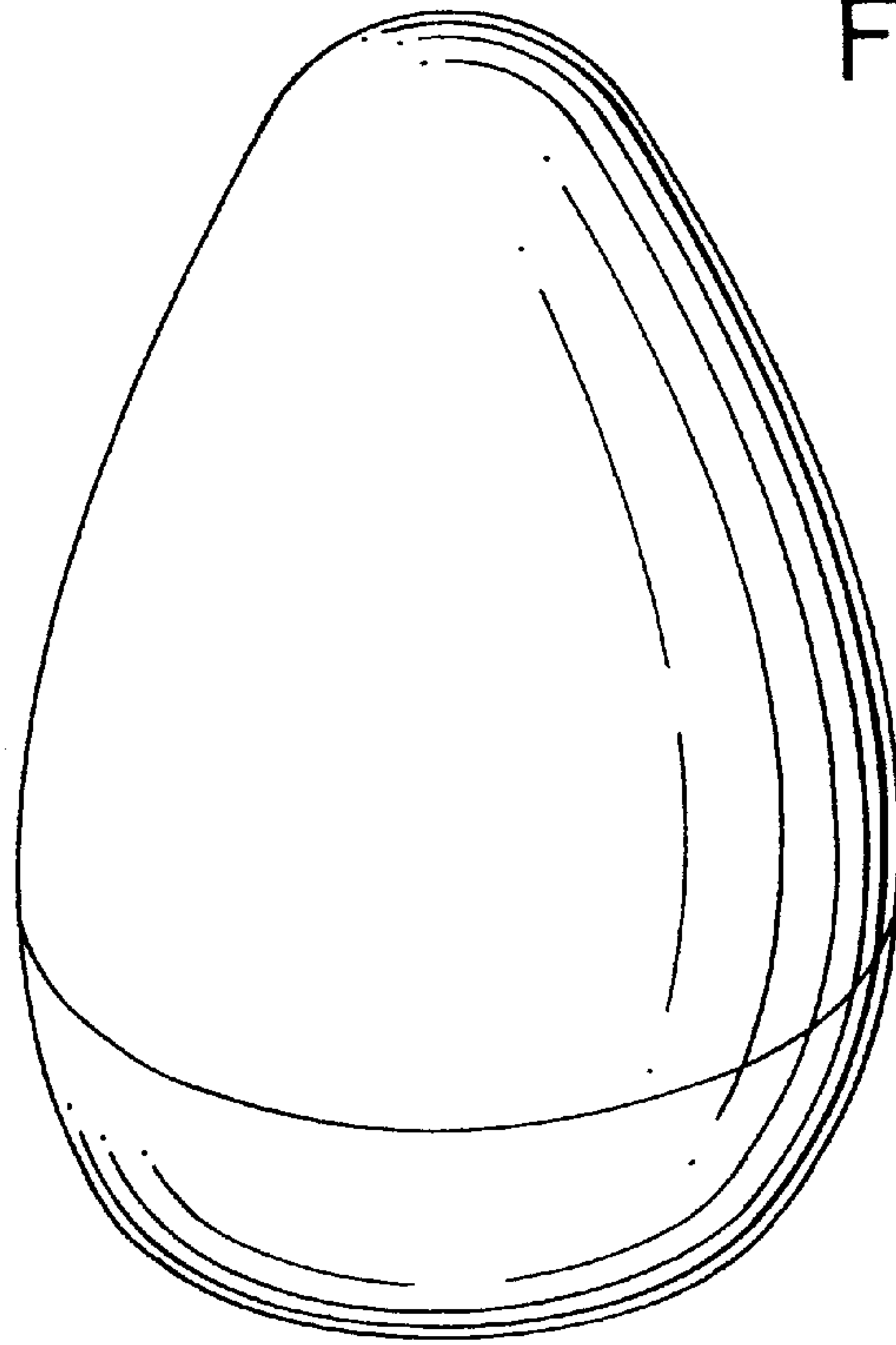


FIG. 2

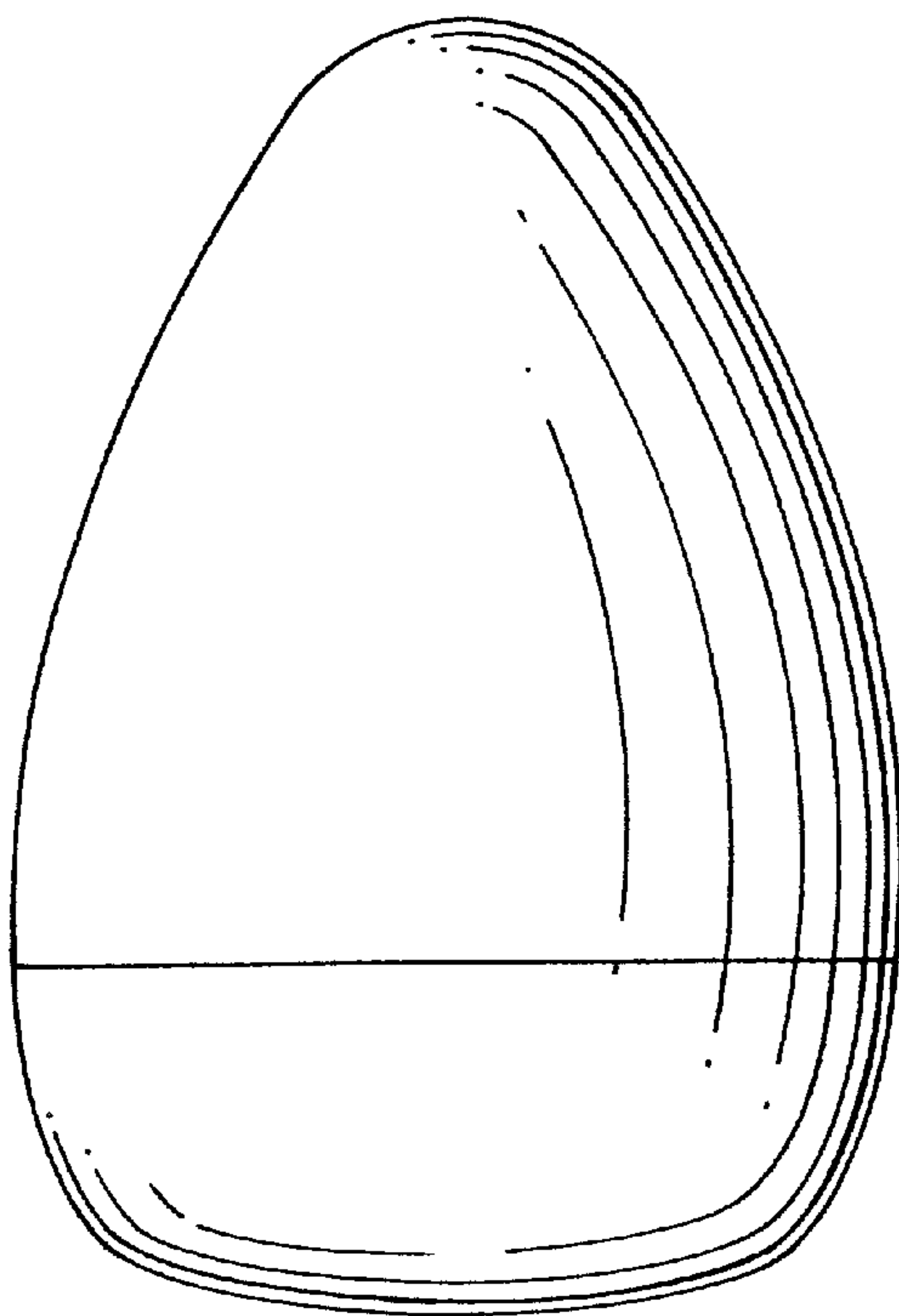


FIG. 3

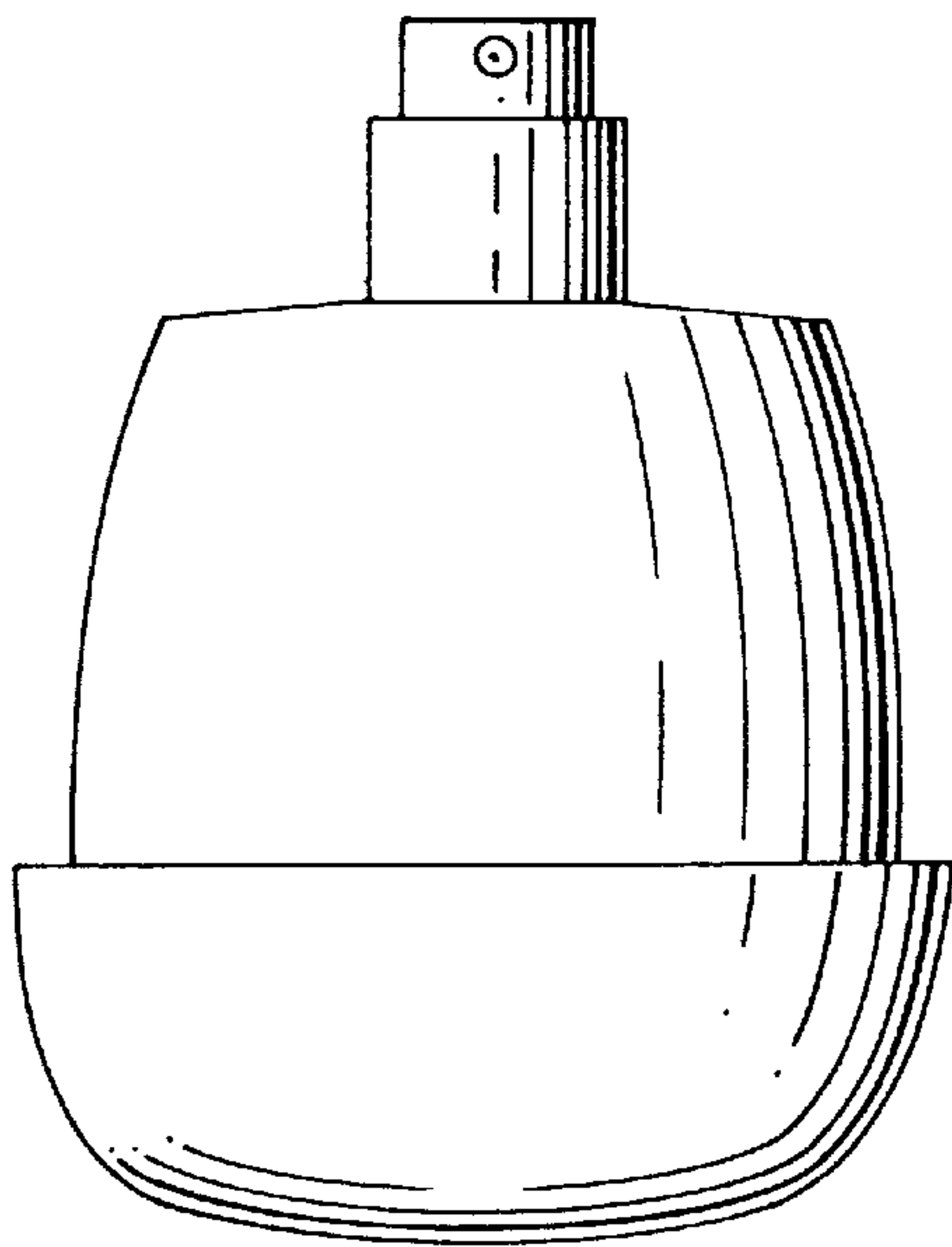
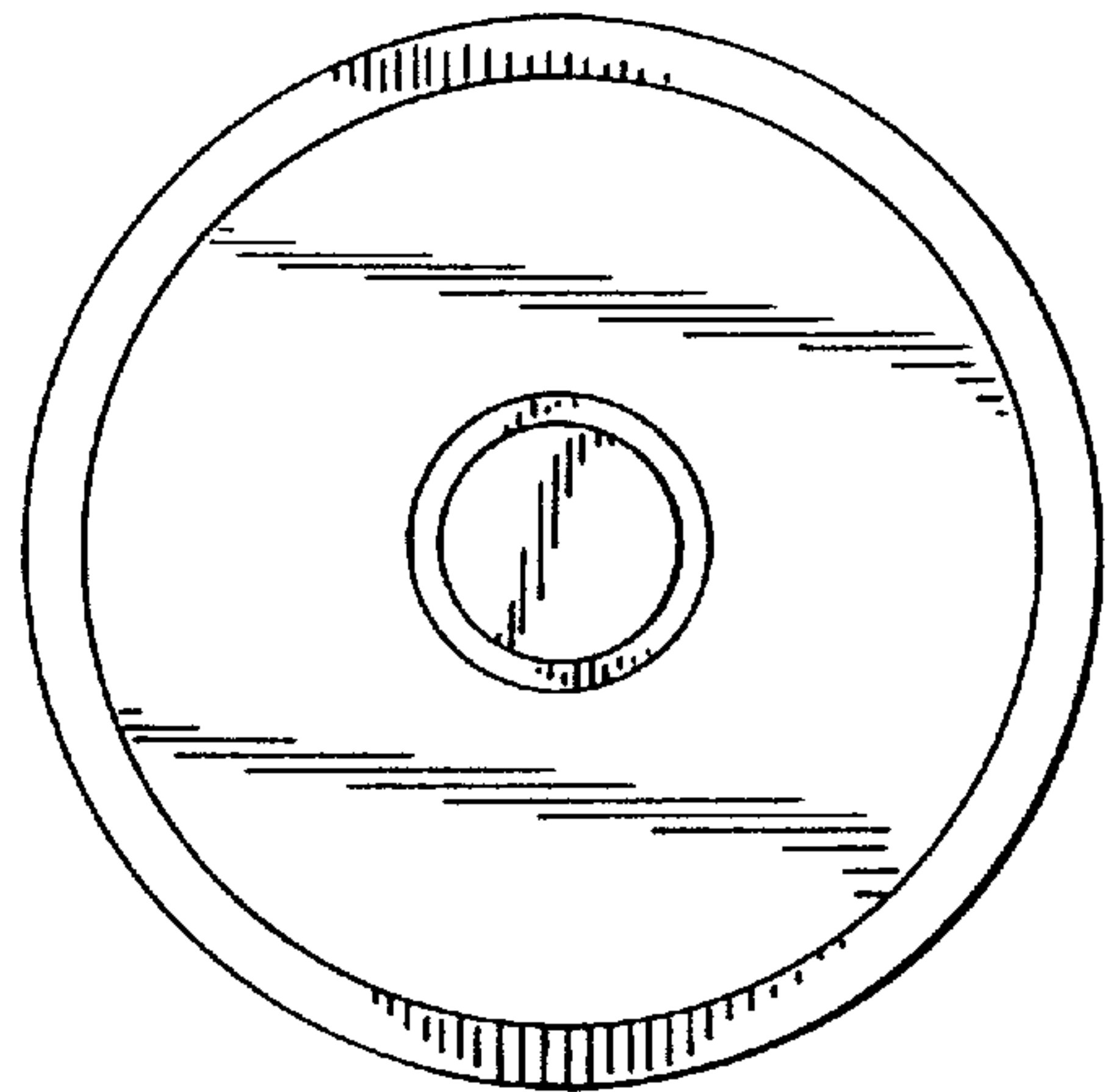


FIG. 4



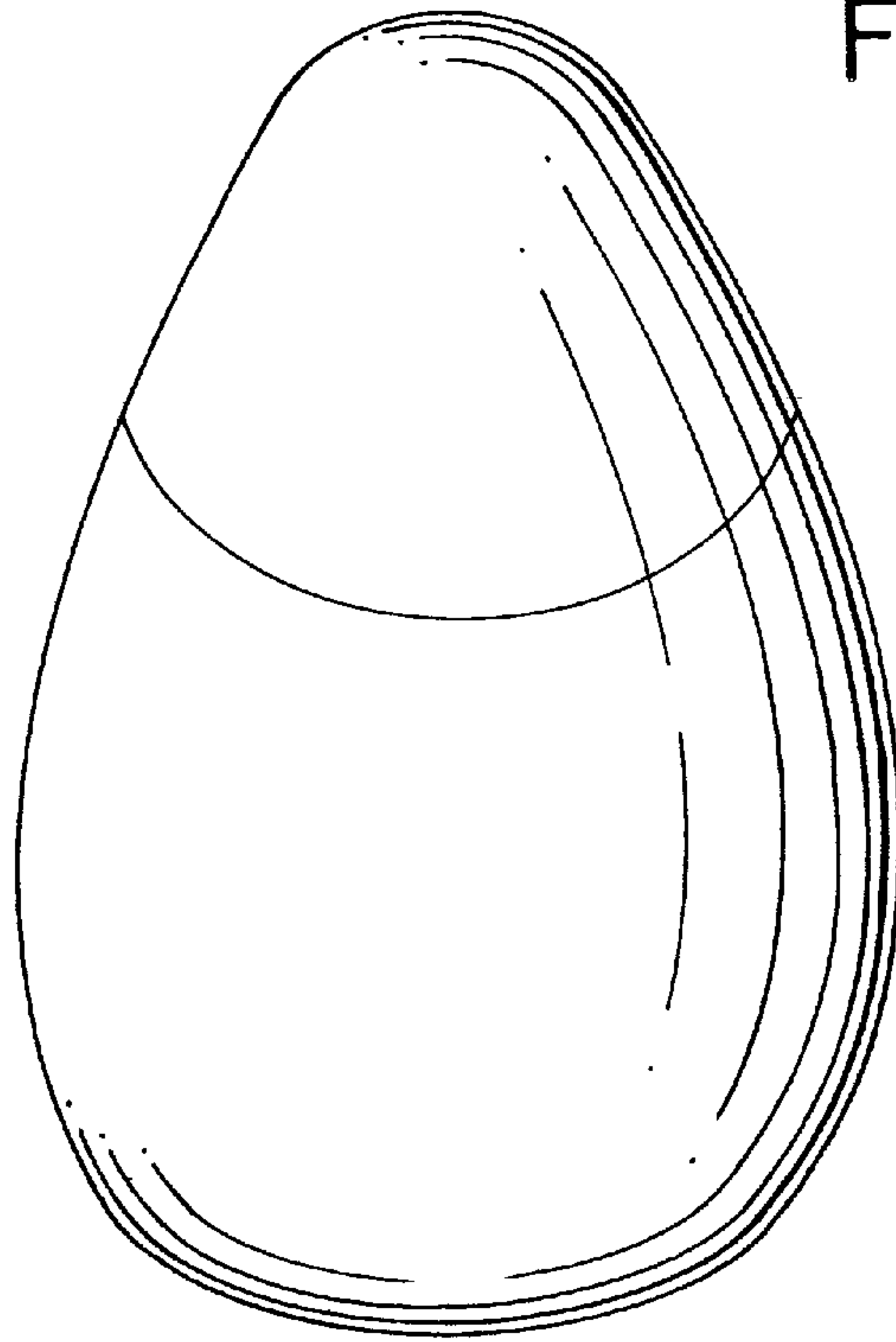


FIG. 5

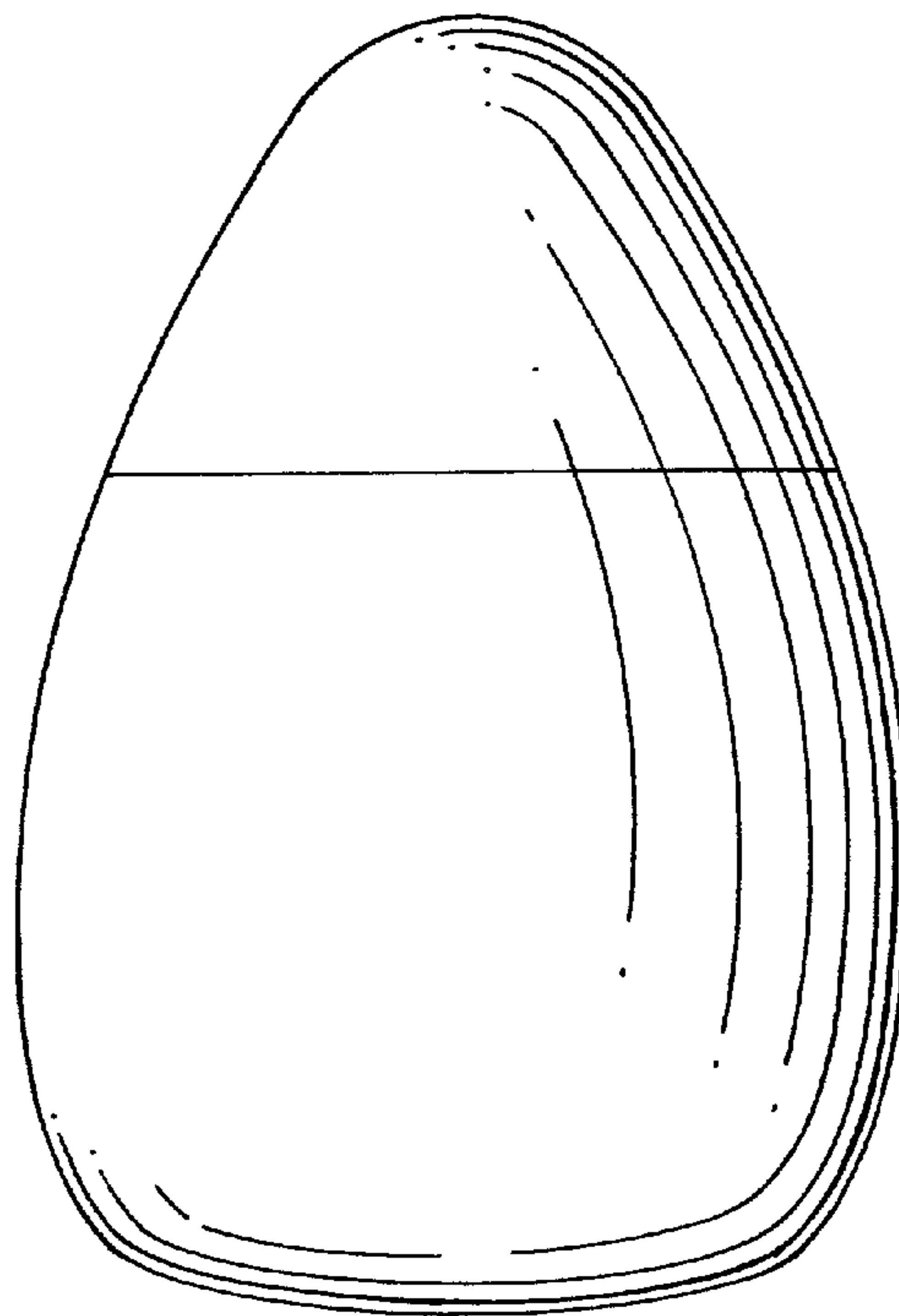


FIG. 6

FIG. 7

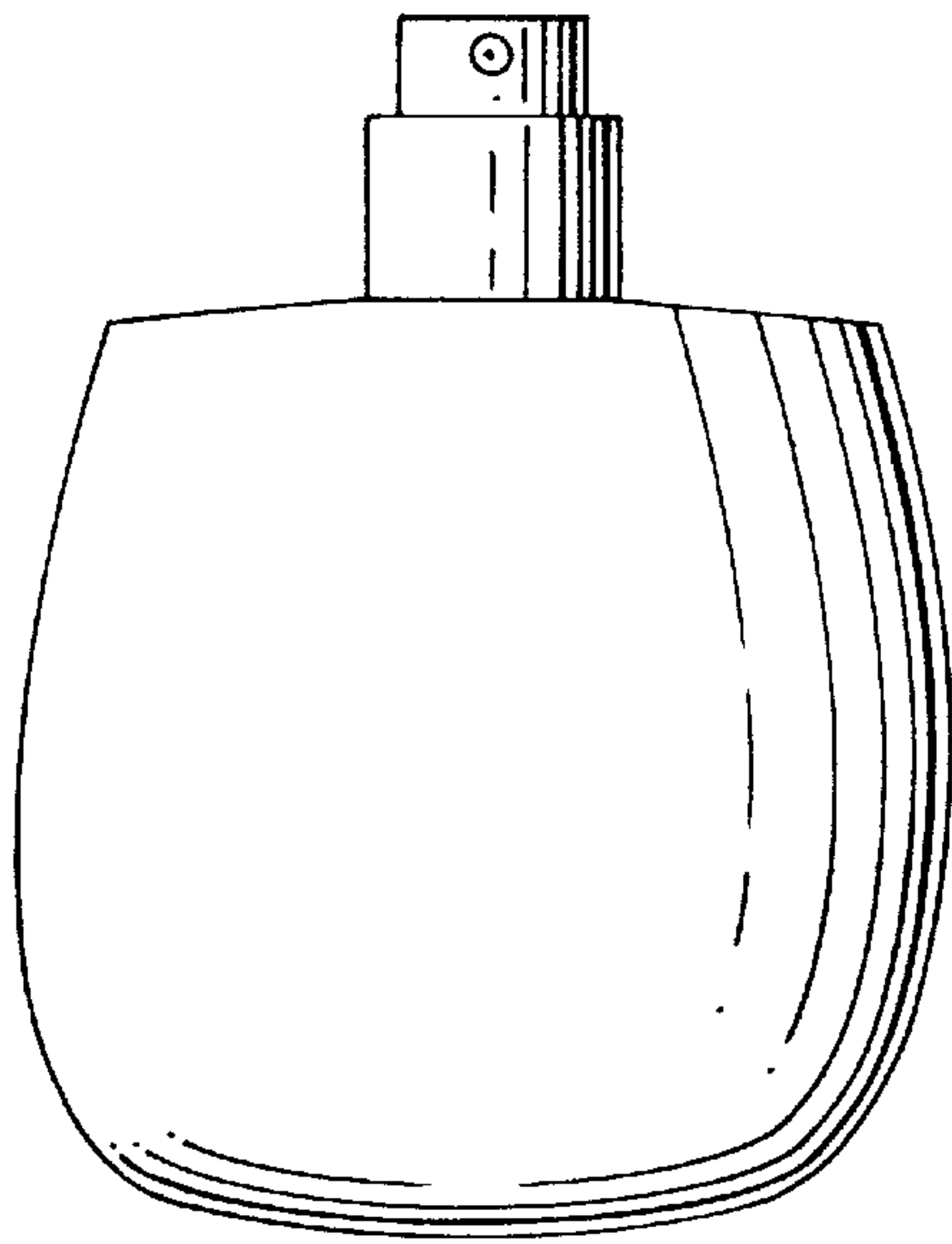


FIG. 8

