



US00D465148S

(12) **United States Design Patent**
Monson

(10) **Patent No.:** **US D465,148 S**

(45) **Date of Patent:** **** Nov. 5, 2002**

(54) **BOLT**

(76) **Inventor:** **Brant Monson**, 3875 N. Cove Dr.,
Provo, UT (US) 84604

(**) **Term:** **14 Years**

(21) **Appl. No.:** **29/151,134**

(22) **Filed:** **Oct. 19, 2001**

Related U.S. Application Data

(63) Continuation-in-part of application No. 09/771,119, filed on
Jan. 26, 2001.

(51) **LOC (7) Cl.** **08-08**

(52) **U.S. Cl.** **D8/387**

(58) **Field of Search** D8/382, 385-388,
D8/391, 397; 411/107, 108, 259.1, 366,
368, 371, 377, 378, 395, 398, 402, 403,
412, 416, 427, 431; 403/322.2; 470/11

(56) **References Cited**

U.S. PATENT DOCUMENTS

66,234 A	7/1867	Grilley	
74,692 A	2/1868	Ives	
231,613 A	8/1880	Richards	
316,619 A	* 4/1885	Hayes	411/378
755,804 A	3/1904	Smith	
1,243,799 A	10/1917	Bissell	
1,312,409 A	8/1919	Miller et al.	
1,868,415 A	* 7/1932	Gundersen et al.	411/371.2
2,064,342 A	12/1936	England	
2,076,041 A	* 4/1937	Payne	411/410
2,120,061 A	* 6/1938	Blakeslee	411/378
2,227,084 A	12/1940	Hassig	
2,752,814 A	7/1956	Iaia	
3,079,968 A	3/1963	Buckley	
3,244,057 A	4/1966	Mathison	
D207,123 S	3/1967	Flood	
3,337,925 A	8/1967	Meyer	
D218,226 S	8/1970	Painaud	
4,121,495 A	10/1978	Malo et al.	
4,124,317 A	11/1978	Dauth	
4,484,849 A	11/1984	Klimowicz	

4,516,893 A	* 5/1985	Barth	411/184
D283,301 S	4/1986	Spitz	
4,659,267 A	4/1987	Uno et al.	
4,749,319 A	6/1988	Sygnator	
D303,494 S	9/1989	Lange	
5,044,855 A	9/1991	Fukubayashi	
5,156,509 A	* 10/1992	Wu	411/369
D335,465 S	5/1993	Garrison, III	
5,214,987 A	6/1993	Fenton, Sr.	
5,549,677 A	8/1996	Dürr et al.	
5,580,199 A	12/1996	Suzuki	
5,795,120 A	8/1998	Hurdle	
5,913,650 A	6/1999	Daoud	
5,919,020 A	7/1999	Walther	

(List continued on next page.)

Primary Examiner—Alan P. Douglas

Assistant Examiner—Clare E. Heflin

(74) *Attorney, Agent, or Firm*—Morriss, Bateman,
O'Bryant & Compagni, P.C.

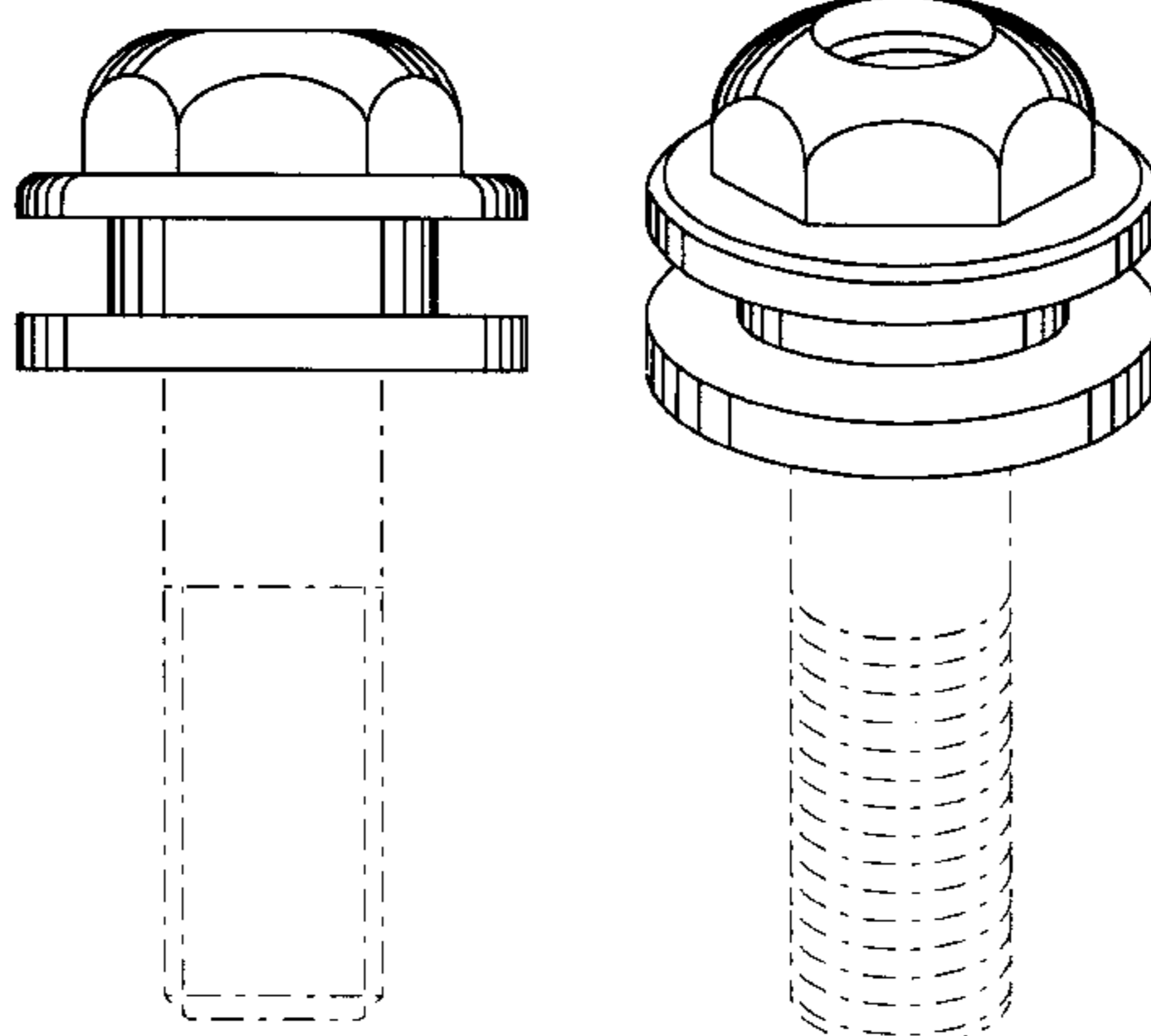
(57) **CLAIM**

The ornamental design for a bolt, as shown and described.

DESCRIPTION

FIG. 1 shows a top view of a bolt made in accordance with the design of the present invention;
 FIG. 2 shows a side view of the bolt of FIG. 1 made in accordance with the present invention, each of the side views being the same at 30 degree increments;
 FIG. 3 shows a perspective view of the bolt of FIG. 1 made in accordance with the design of the present invention;
 FIG. 4 shows a bottom view of the bolt of FIG. 1;
 FIG. 5 shows a top view of an alternate embodiment of the bolt of the present invention;
 FIG. 6 shows a side view of the bolt of FIG. 5 made in accordance with the present invention, each of the side views being the same at 30 degree increments;
 FIG. 7 shows a perspective view of the bolt of FIG. 5 made in accordance with the design of the present invention; and,
 FIG. 8 shows a bottom view of the bolt of FIG. 5.
 The broken lines shown on the drawings are for illustrative purposes only and form no part of the claimed design.

1 Claim, 2 Drawing Sheets



US D465,148 S

Page 2

U.S. PATENT DOCUMENTS

D418,048 S	*	12/1999	Chan	D8/387	6,317,936 B1	11/2001	McDaid et al.	
6,042,314 A		3/2000	Guelck		6,318,924 B1	11/2001	Schiavo, Jr.	
D422,202 S		4/2000	Maki		6,321,623 B1 *	11/2001	Dykes et al.	411/402
6,045,312 A		4/2000	Hsing		6,343,808 B1	2/2002	Luh	

* cited by examiner

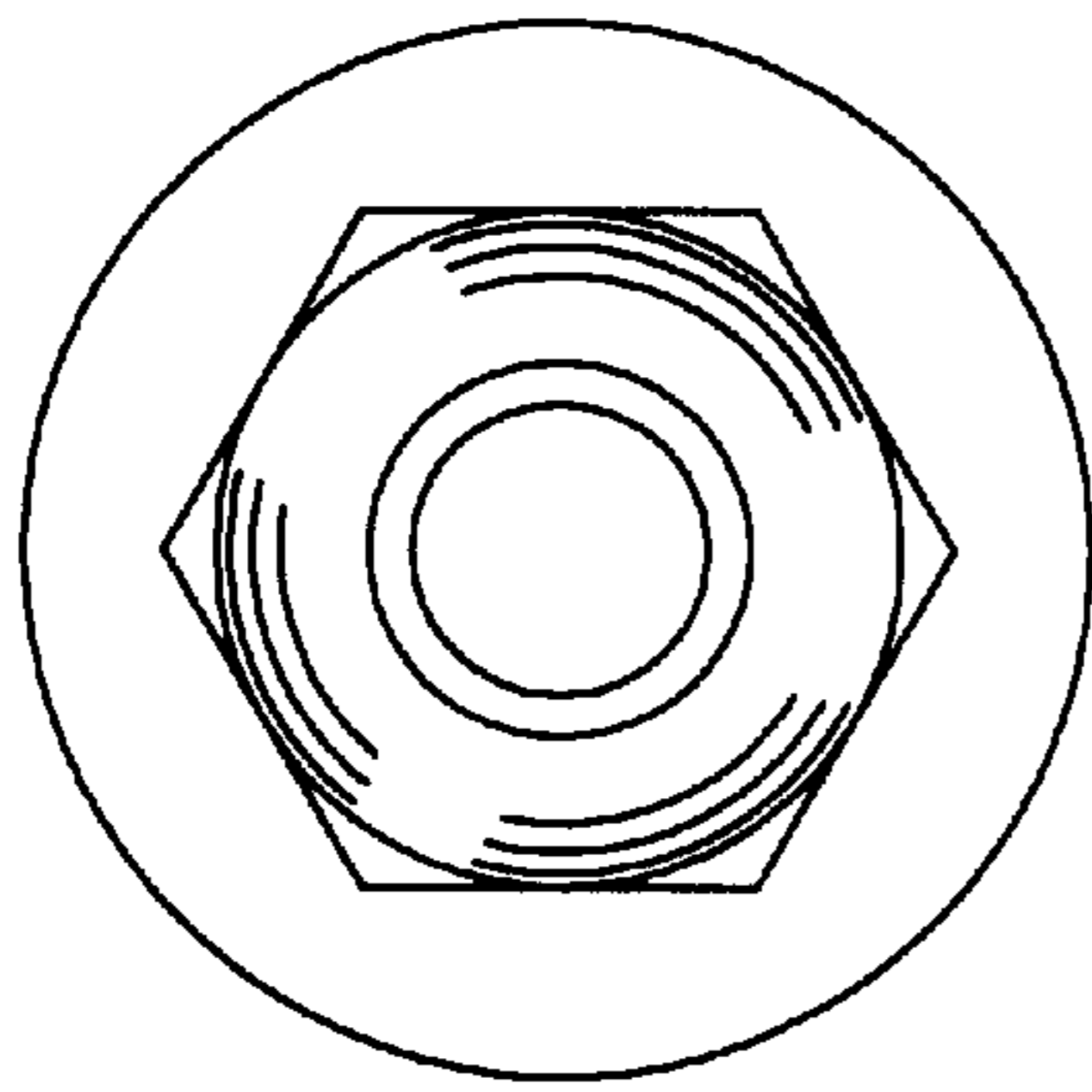


FIG. 1

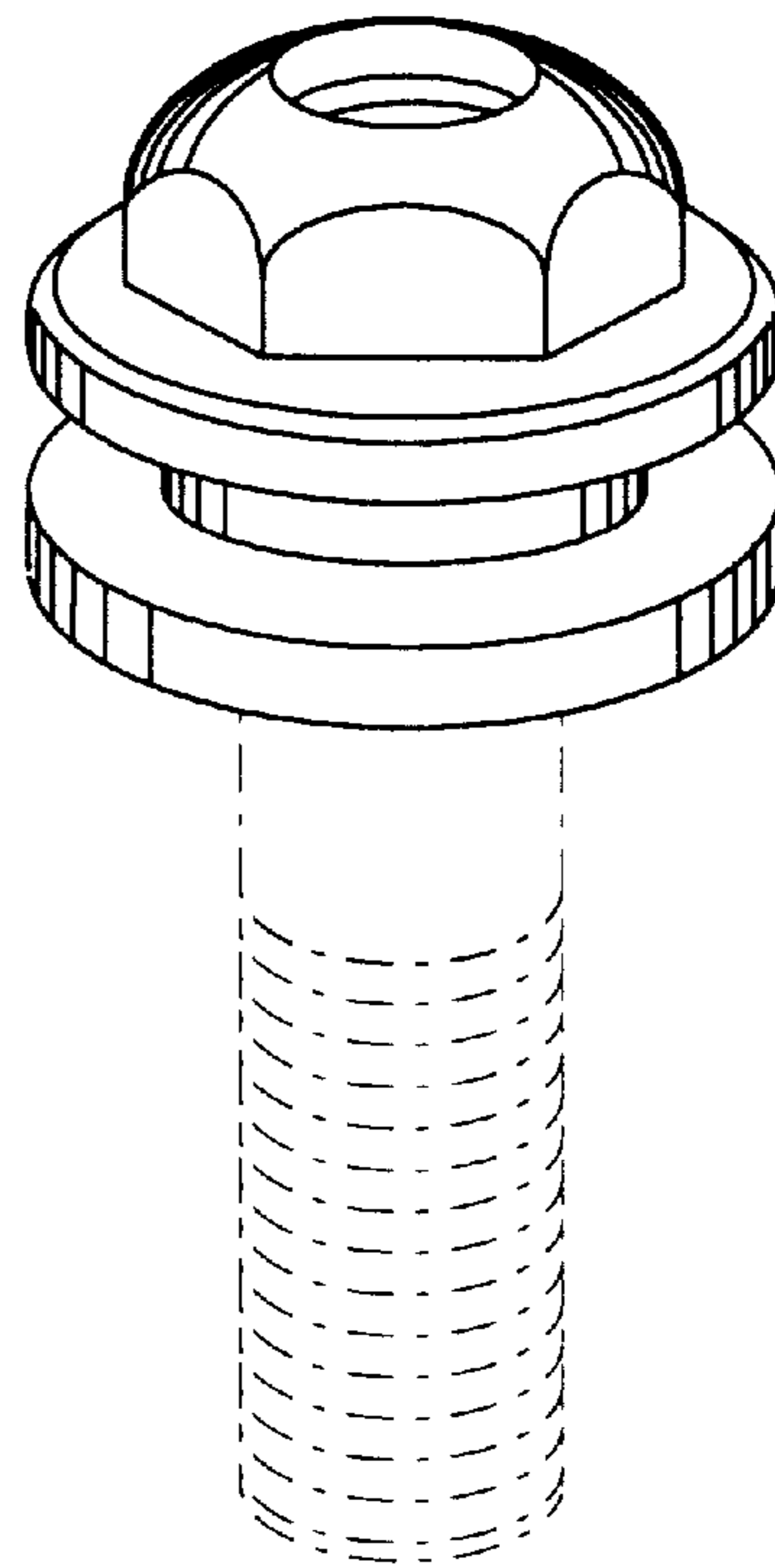


FIG. 3

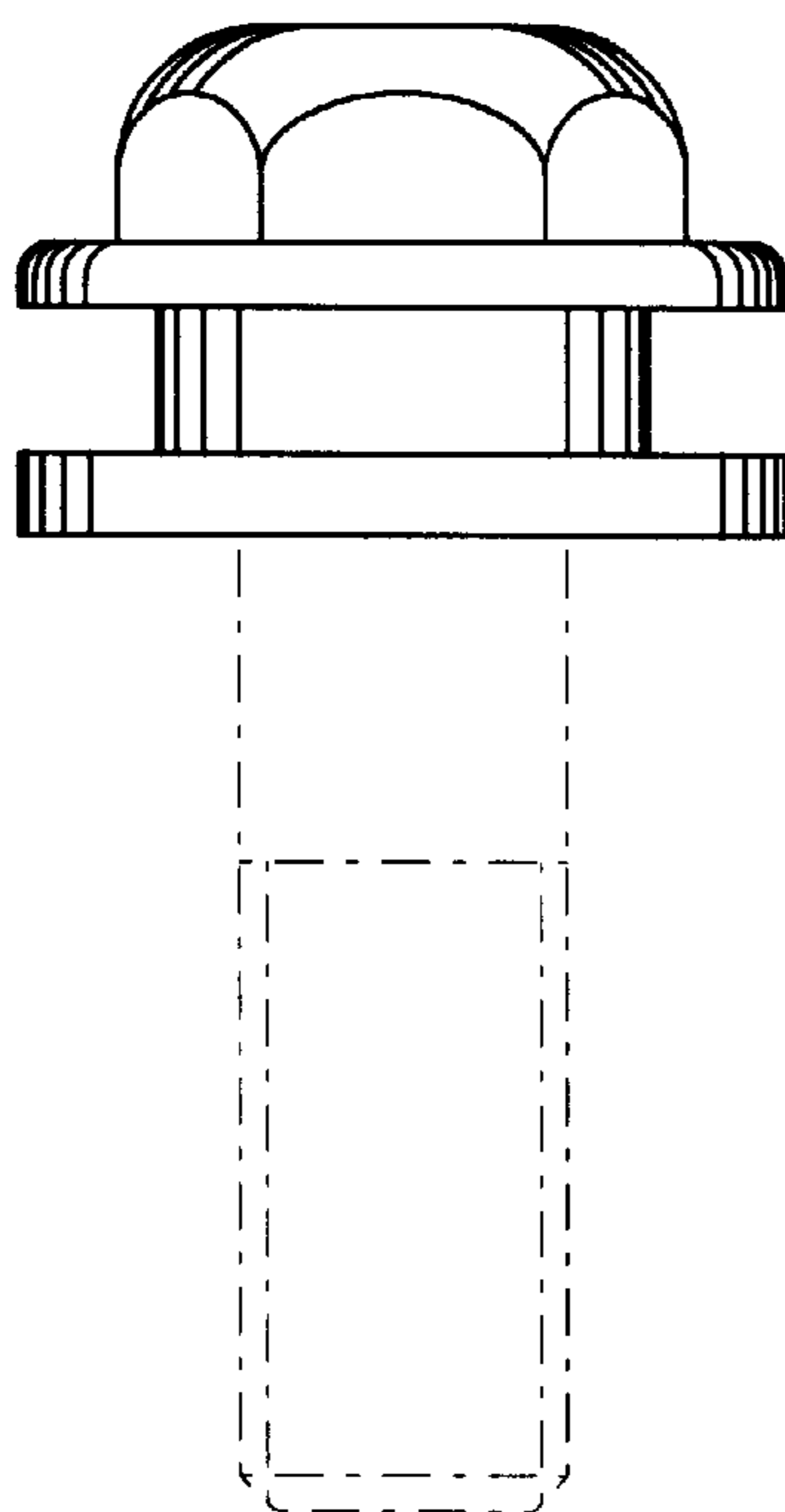


FIG. 2

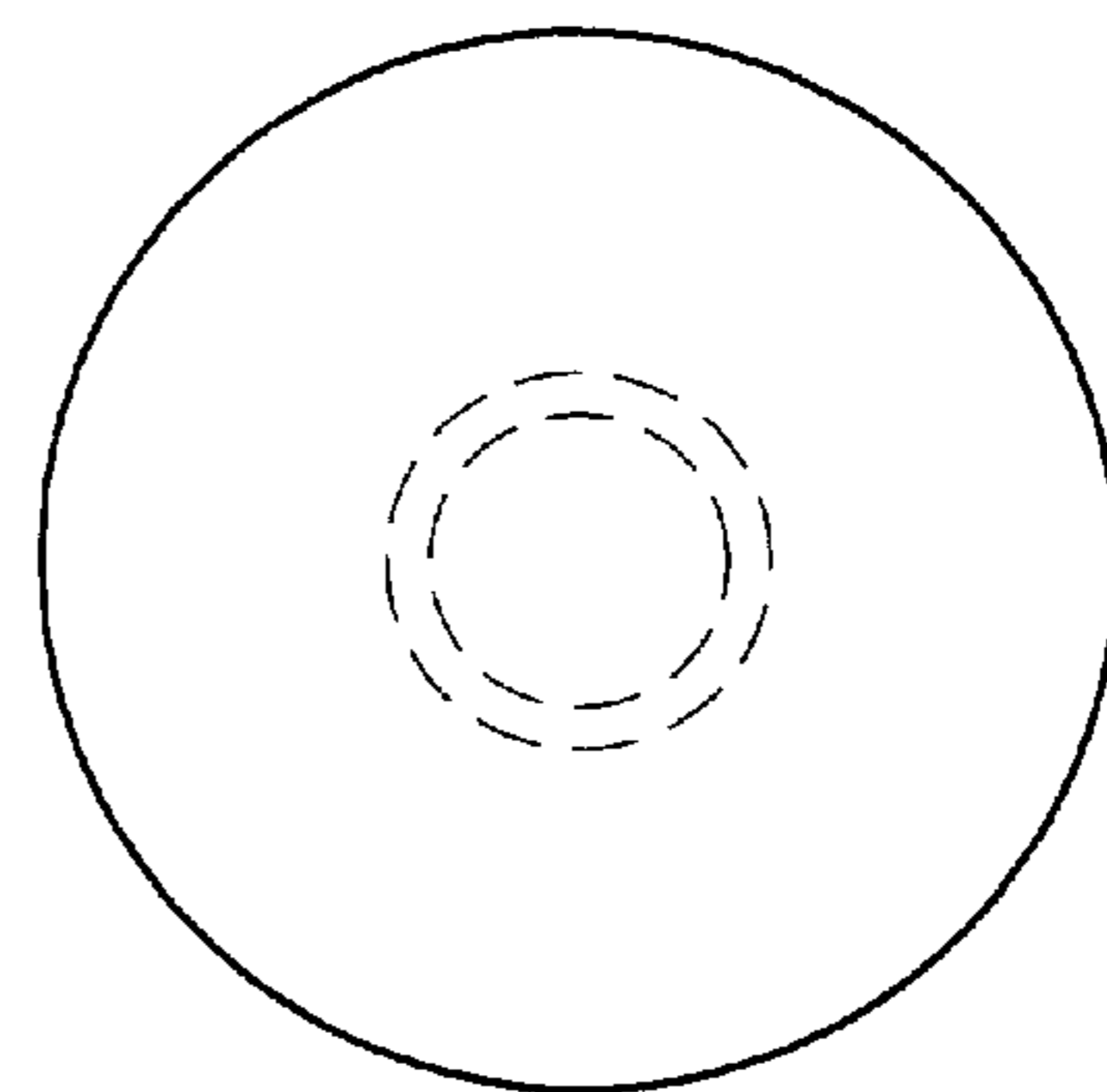


FIG. 4

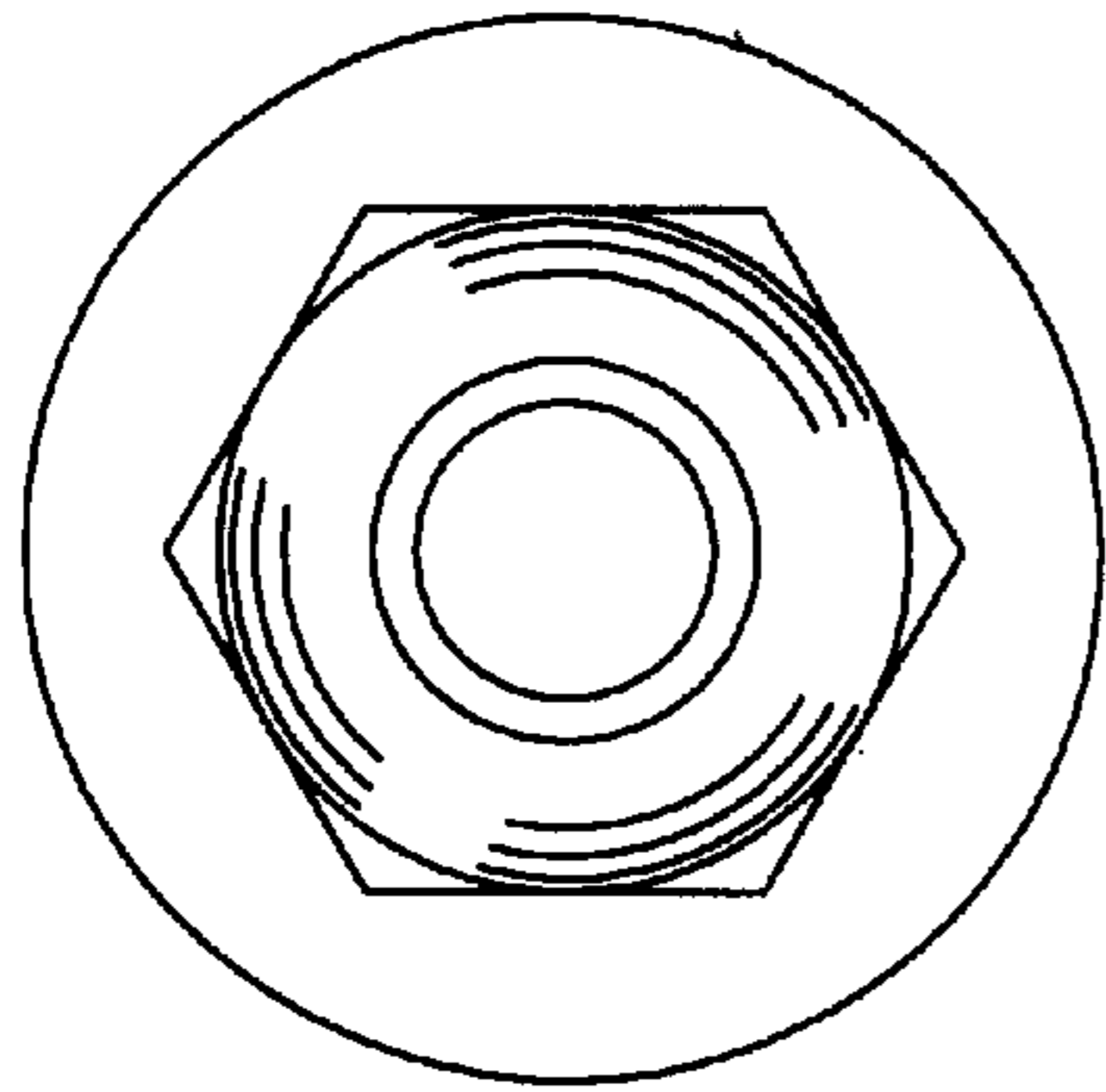


FIG. 5

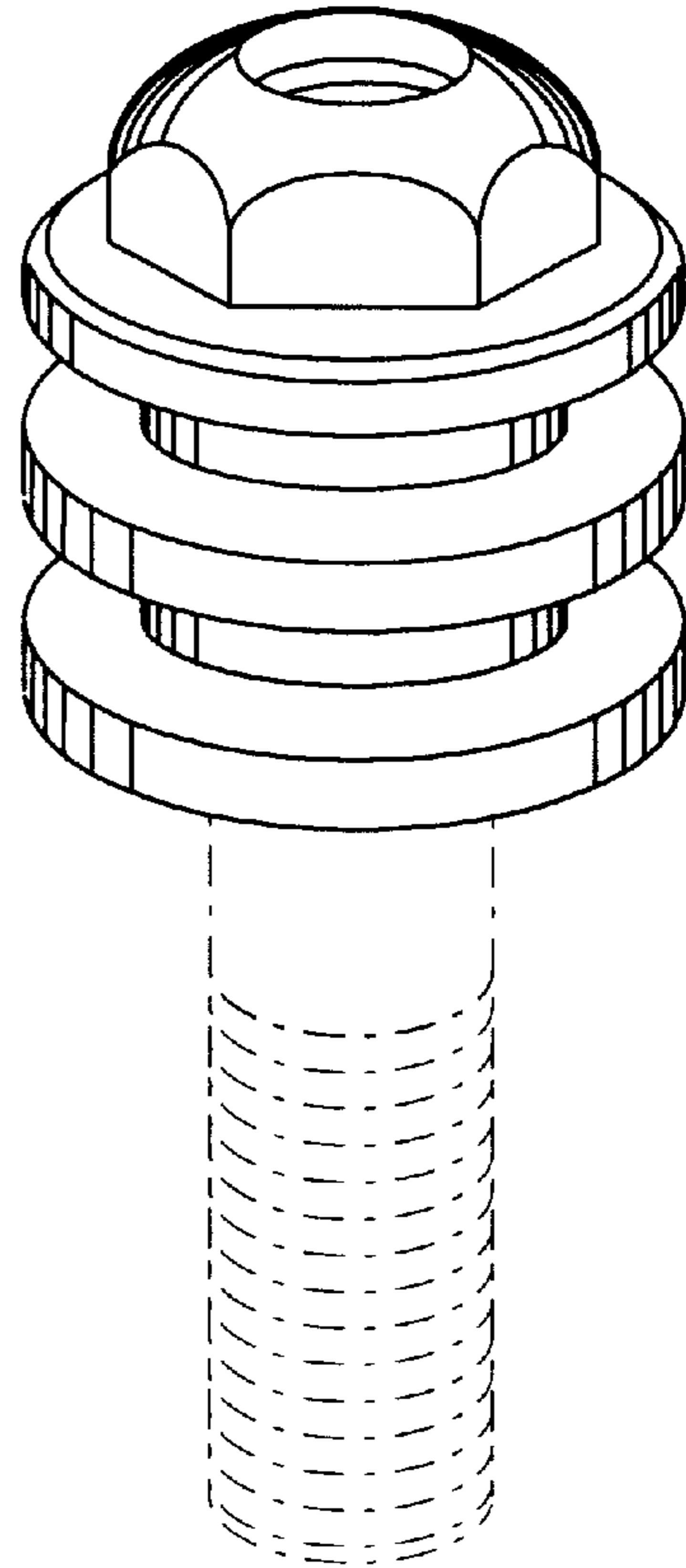


FIG. 7

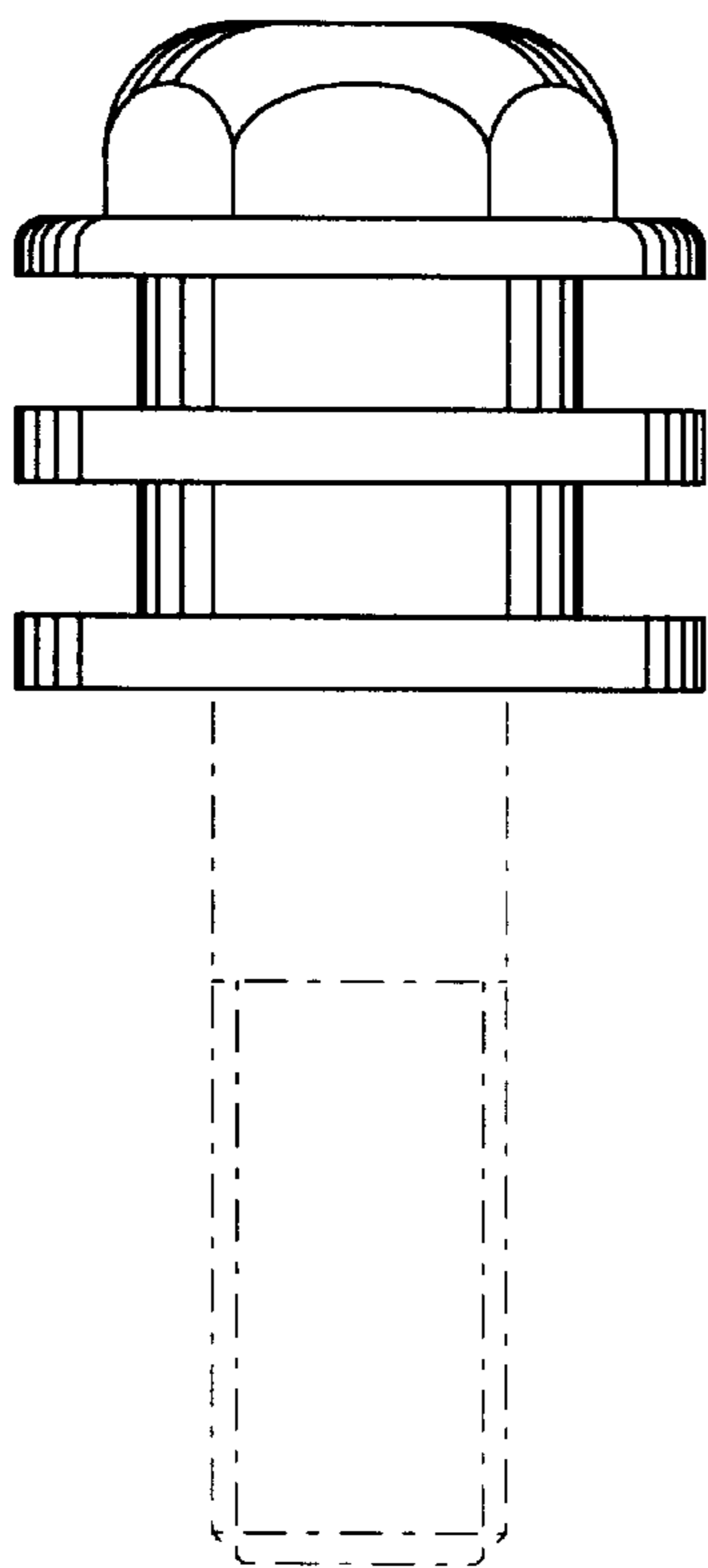


FIG. 6

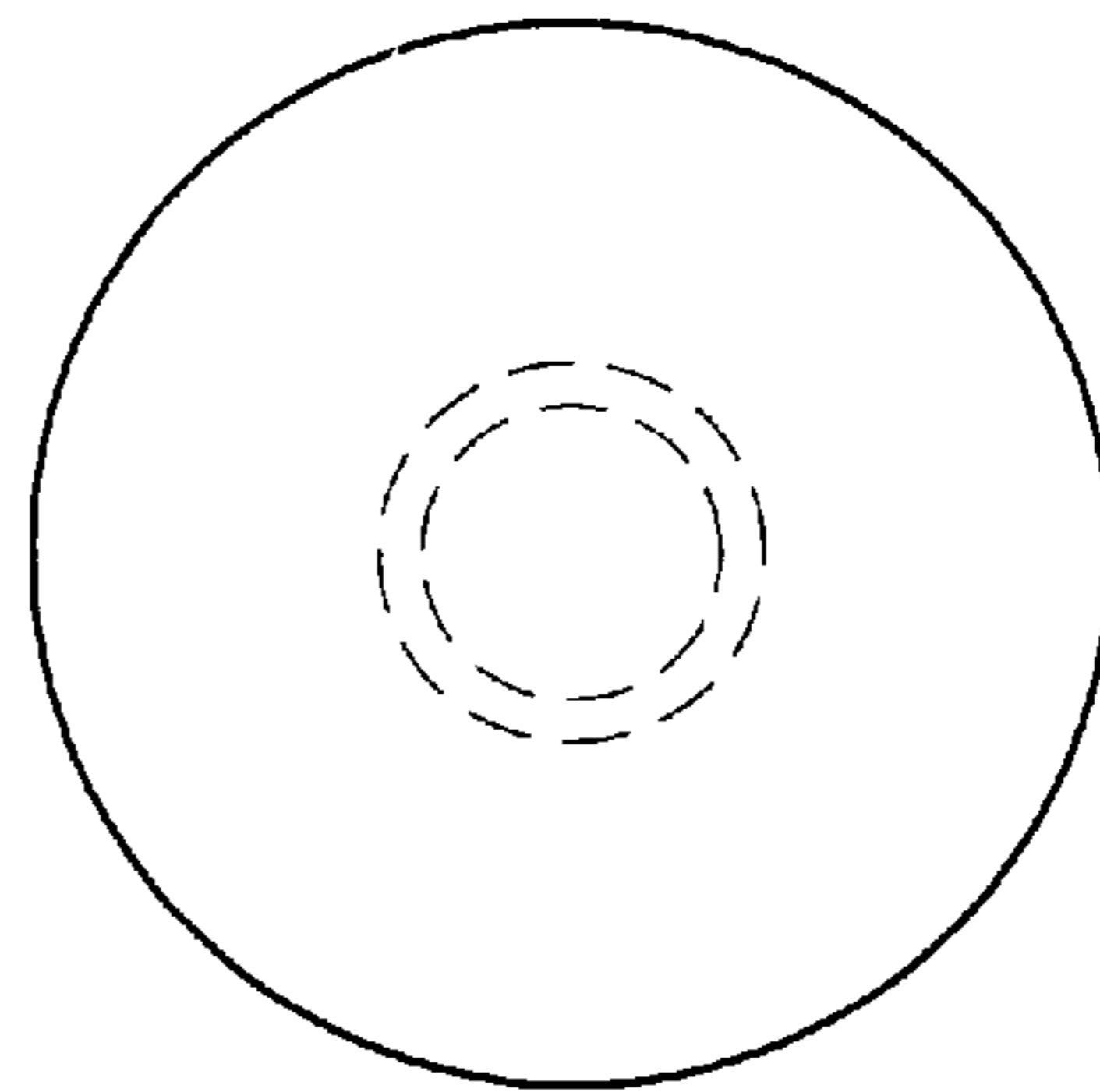


FIG. 8