

US00D465145S

(12) **United States Design Patent**
Hubmann et al.

(10) **Patent No.:** **US D465,145 S**

(45) **Date of Patent:** **** Nov. 5, 2002**

(54) **WALL BRACKET**

5,181,508 A * 1/1993 Poole, Jr. D24/129
D453,221 S * 1/2002 Haytman et al. D24/129

(75) Inventors: **Curtis H. Hubmann**, Racine, WI (US);
Elizabeth A. Slater, Cambs (GB);
Matthew E. Young, Cambs (GB)

* cited by examiner

(73) Assignee: **S. C. Johnson Commercial Markets, Inc.**, Sturtevant, WI (US)

Primary Examiner—Doris V. Coles
Assistant Examiner—Elizabeth A. Albert
(74) *Attorney, Agent, or Firm*—Neil E. Hamilton; Warren R. Bovee; Renee J. Rymarz

(**) Term: **14 Years**

(57) **CLAIM**

(21) Appl. No.: **29/150,523**

The ornamental design for a wall bracket, as shown and described.

(22) Filed: **Nov. 6, 2001**

DESCRIPTION

(51) **LOC (7) Cl.** **08-05**

(52) **U.S. Cl.** **D8/354**

(58) **Field of Search** D6/512, 545, 553;
D8/349, 354, 355, 363, 364, 373, 380,
394, 395, 396, 400; D9/455; D24/111, 129;
D32/25, 30, 45; 222/180, 181.3, 173; 248/75,
200, 201, 205.1, 205.4, 207, 213.2, 218.4,
309.1

The nature of this product is as a bracket for attaching a bottle or container to a wall for the purpose of dispensing solutions.

FIG. 1 is a right, front, perspective view of a wall bracket showing our new design;

FIG. 2 is a right side elevational view thereof, the left side elevational view thereof being a mirror image of the right shown;

FIG. 3 is a front elevation view thereof;

FIG. 4 is a top plan view thereof; and,

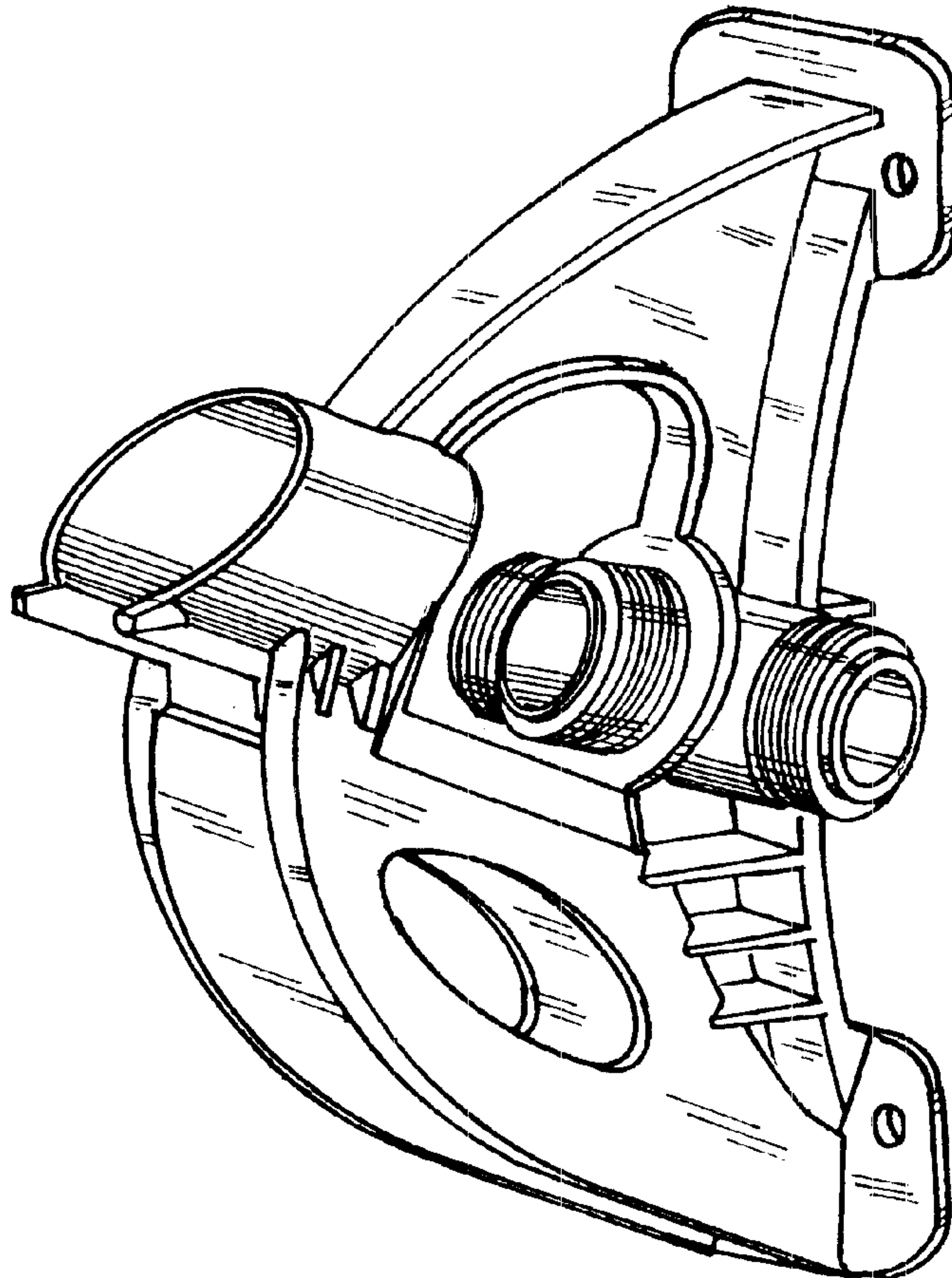
FIG. 5 is a bottom plan view thereof.

(56) **References Cited**

U.S. PATENT DOCUMENTS

D264,010 S * 4/1982 Graf 248/75

1 Claim, 2 Drawing Sheets



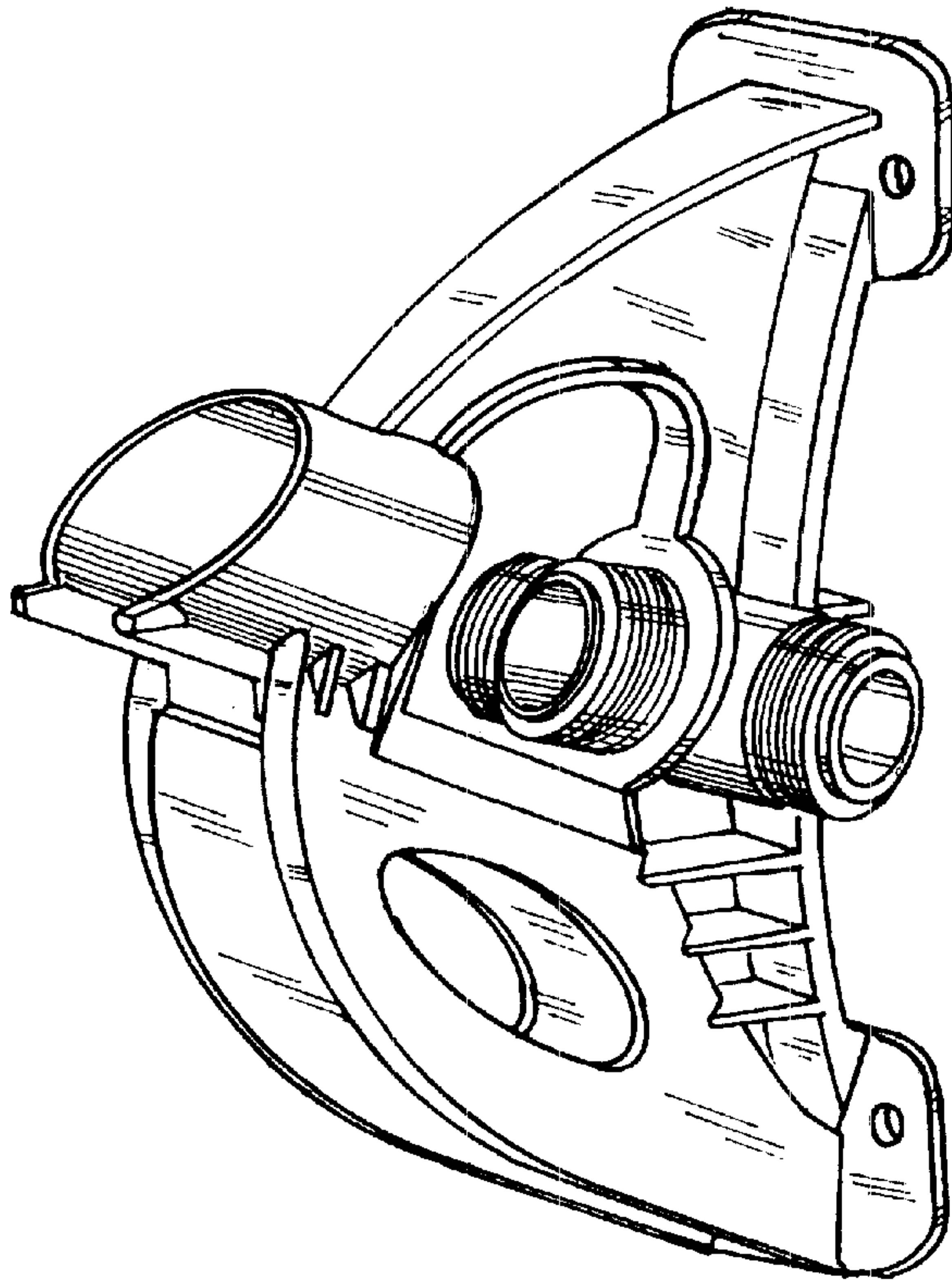


FIG. 1

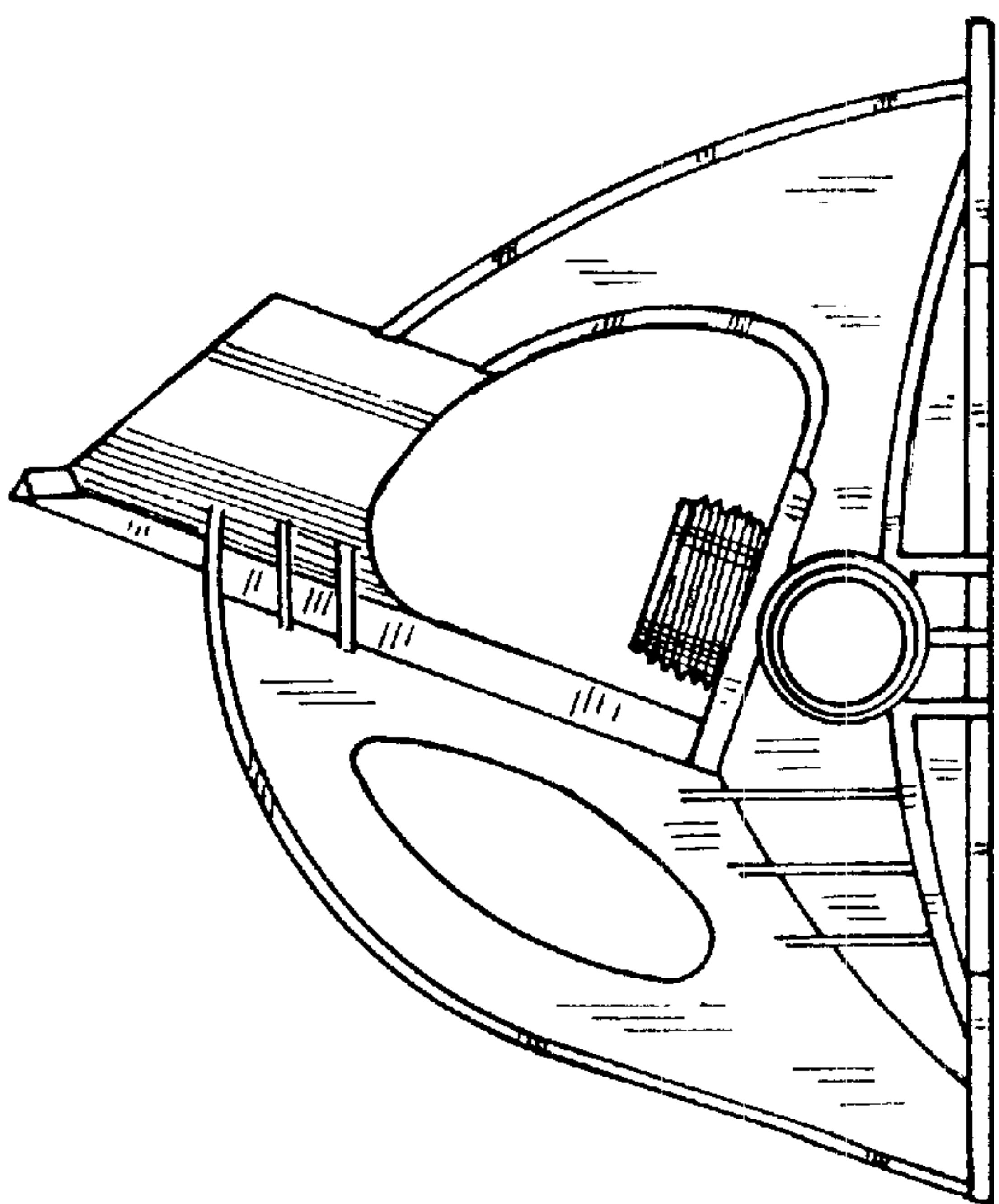


FIG. 2

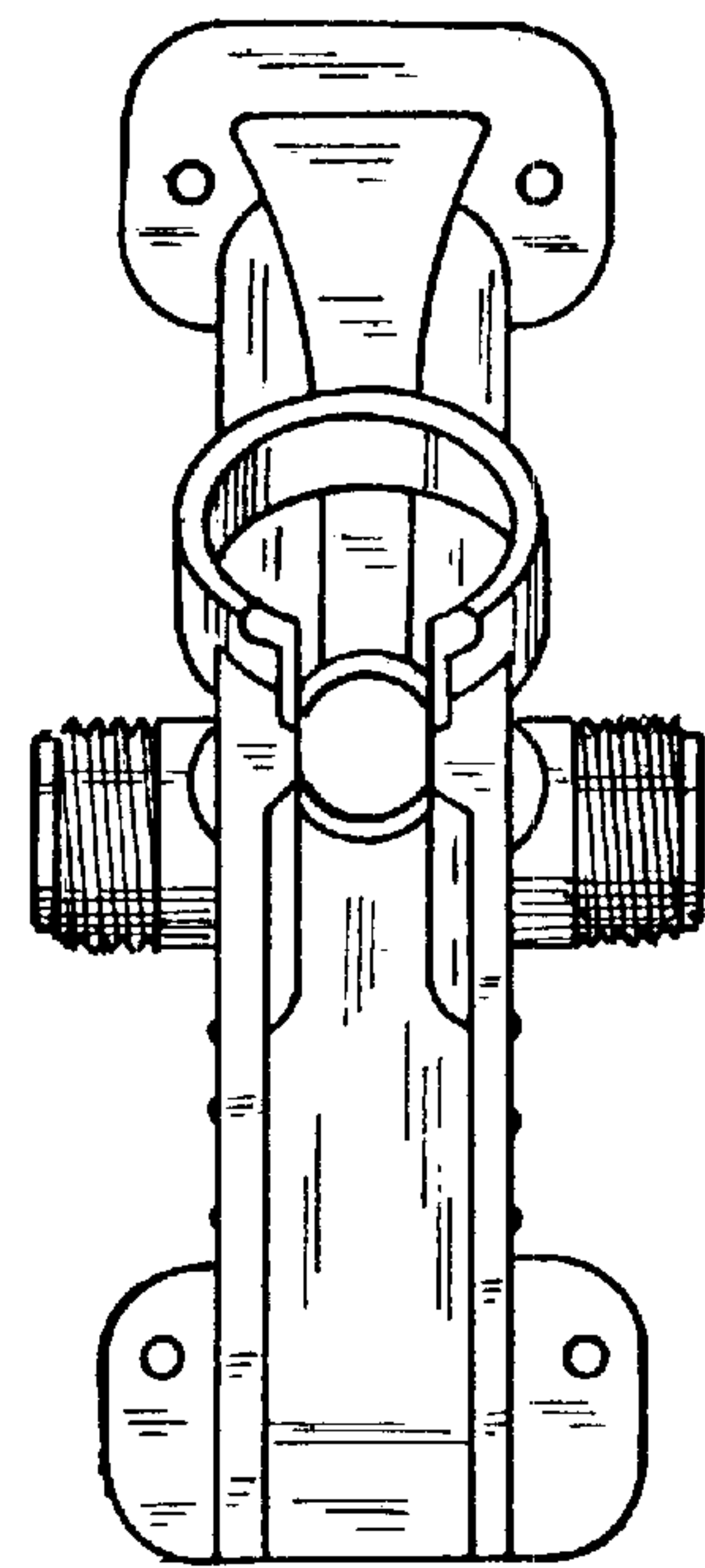


FIG. 3

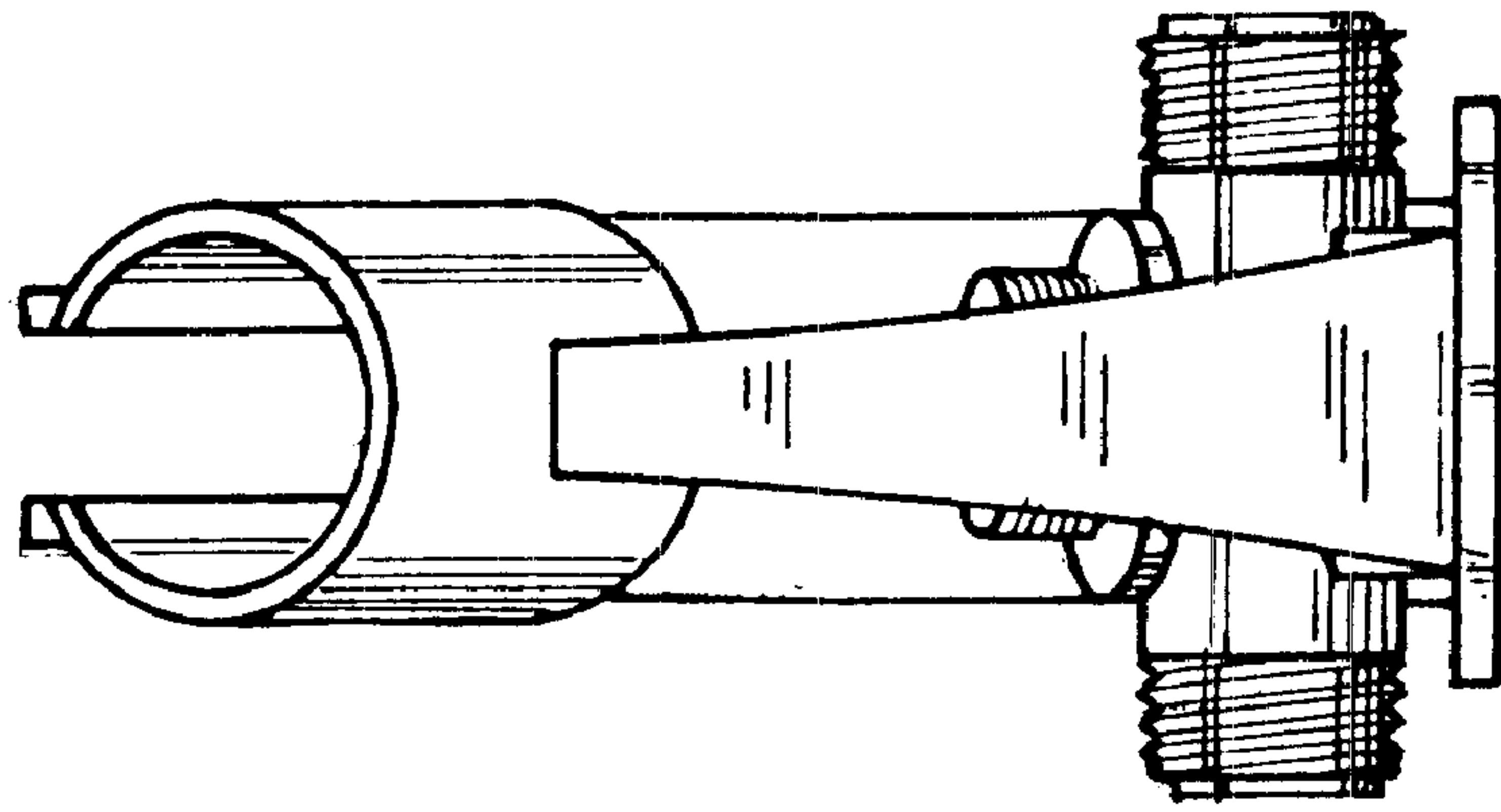


FIG. 4

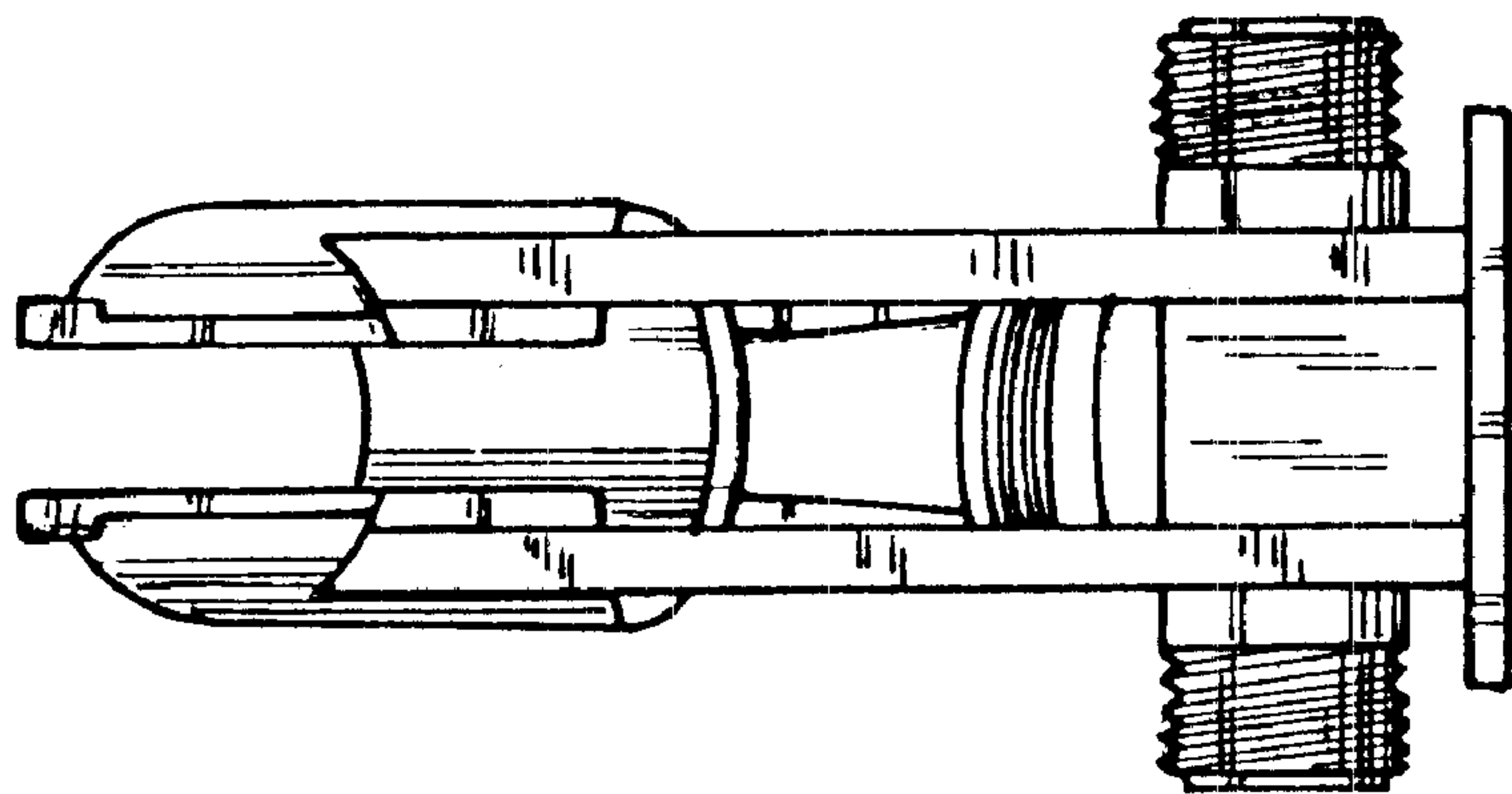


FIG. 5