



US00D465144S

(12) **United States Design Patent**  
**Lai**

(10) **Patent No.:** **US D465,144 S**

(45) **Date of Patent:** **\*\* Nov. 5, 2002**

(54) **SWITCH PLATE**

(76) Inventor: **Ming-Hsiao Lai**, No.8, Kung Chi 2 Lane, Ta Tsuen Hsiang, Chang-Hua Hsien (TW)

(\*\*) Term: **14 Years**

(21) Appl. No.: **29/153,328**

(22) Filed: **Jan. 8, 2002**

(51) **LOC (7) Cl.** ..... **11-05**

(52) **U.S. Cl.** ..... **D8/353**

(58) **Field of Search** ..... D8/350-353; D13/177; D6/300; 220/241; 16/402; 174/66; 439/536

(56) **References Cited**

**U.S. PATENT DOCUMENTS**

D60,383 S	*	2/1922	Steeple	.....	D8/353
D173,582 S	*	11/1954	Lovine	.....	D8/352
D212,079 S	*	8/1968	Algoren	.....	D8/352
D243,653 S	*	3/1977	Fine	.....	D8/353

**OTHER PUBLICATIONS**

Jackson Deerfield Creative Accents Brochure; p. 4; English Rope plate 951PB and the Standard Configurations illustration.\*

\* cited by examiner

*Primary Examiner*—B. J. Bullock

(74) *Attorney, Agent, or Firm*—Harrison & Egbert

(57) **CLAIM**

I claim the ornamental design for a switch plate, as shown and described.

**DESCRIPTION**

FIG. 1 is an upper perspective view of the switch plate showing my design.

FIG. 2 is a front view thereof;

FIG. 3 is a back view thereof;

FIG. 4 is a side view thereof;

FIG. 5 is an opposite side view thereof;

FIG. 6 is a top view thereof;

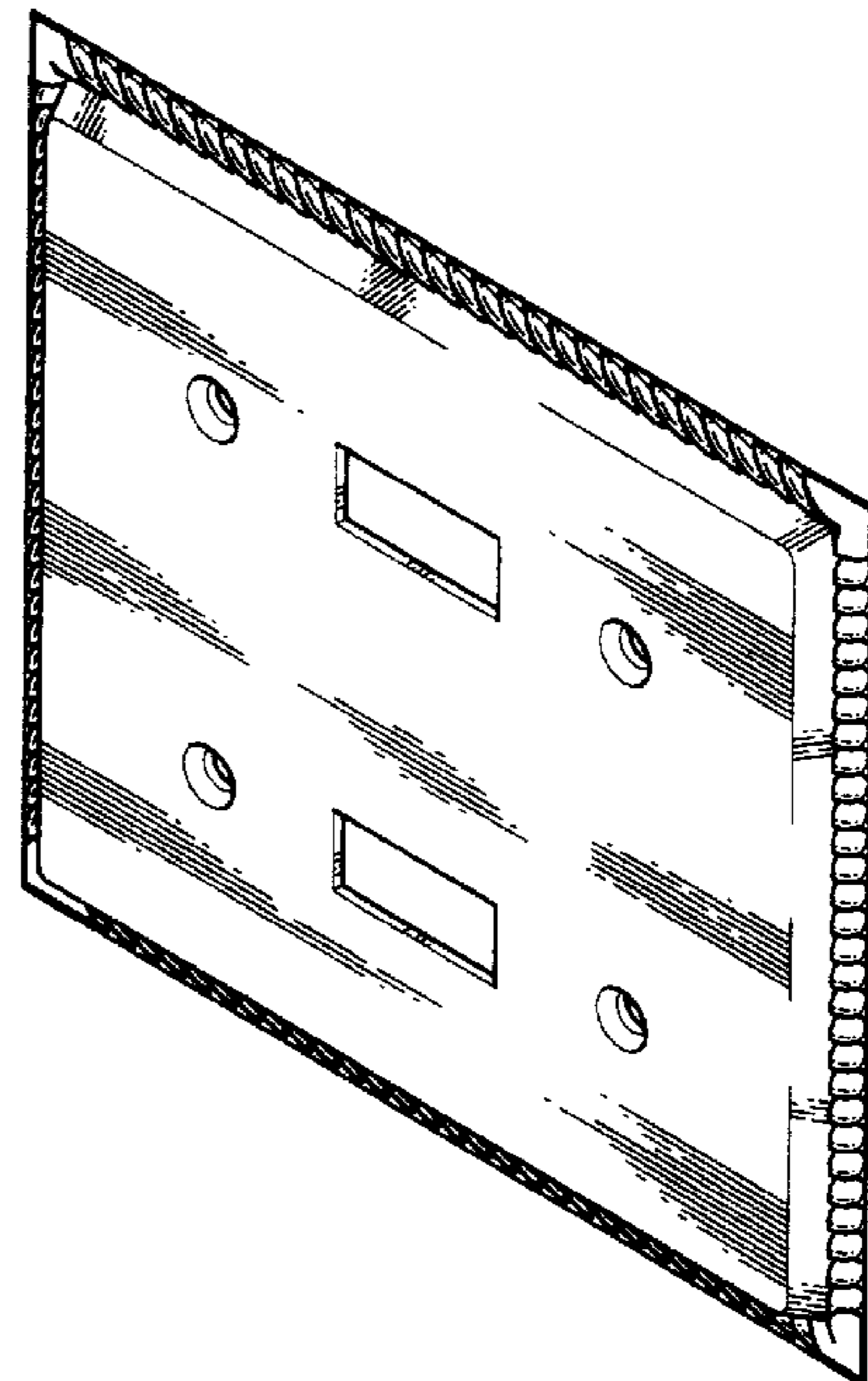
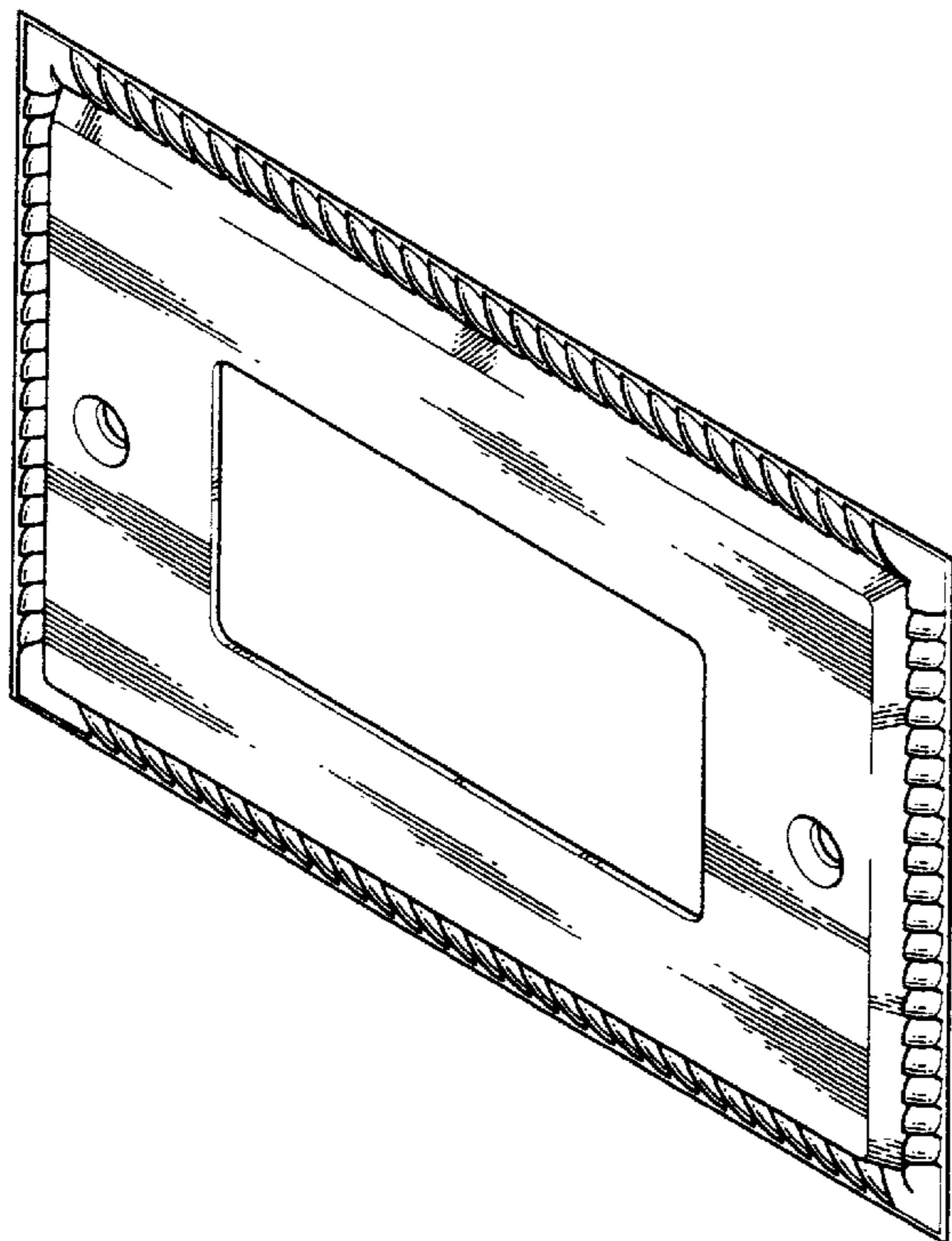
FIG. 7 is a bottom view thereof;

FIG. 8 is an upper perspective view thereof showing a switch outlet;

FIG. 9 is an upper perspective view thereof showing an electrical socket outlet; and,

FIG. 10 is an upper perspective view thereof showing a double switch outlet.

**1 Claim, 7 Drawing Sheets**



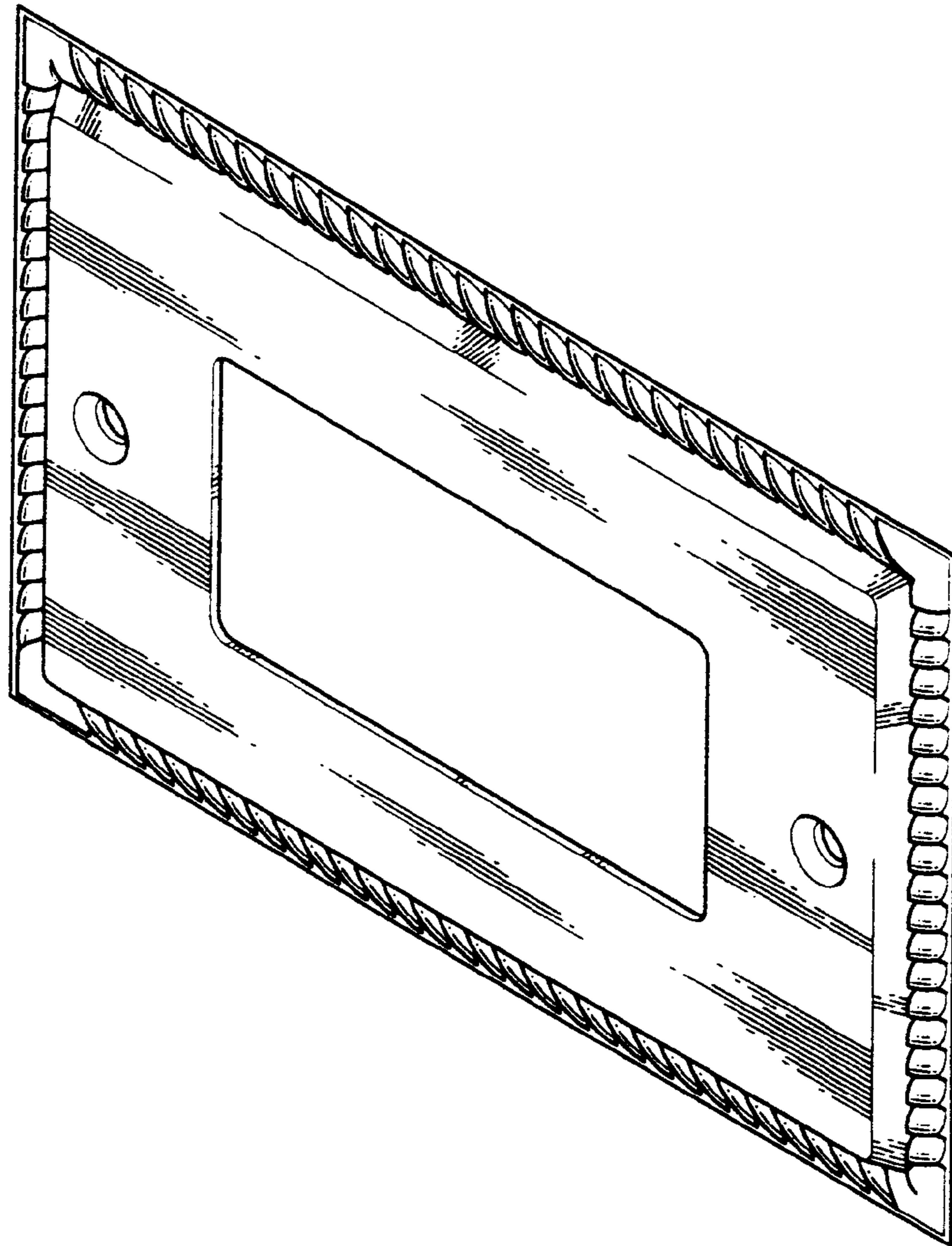


FIG. 1

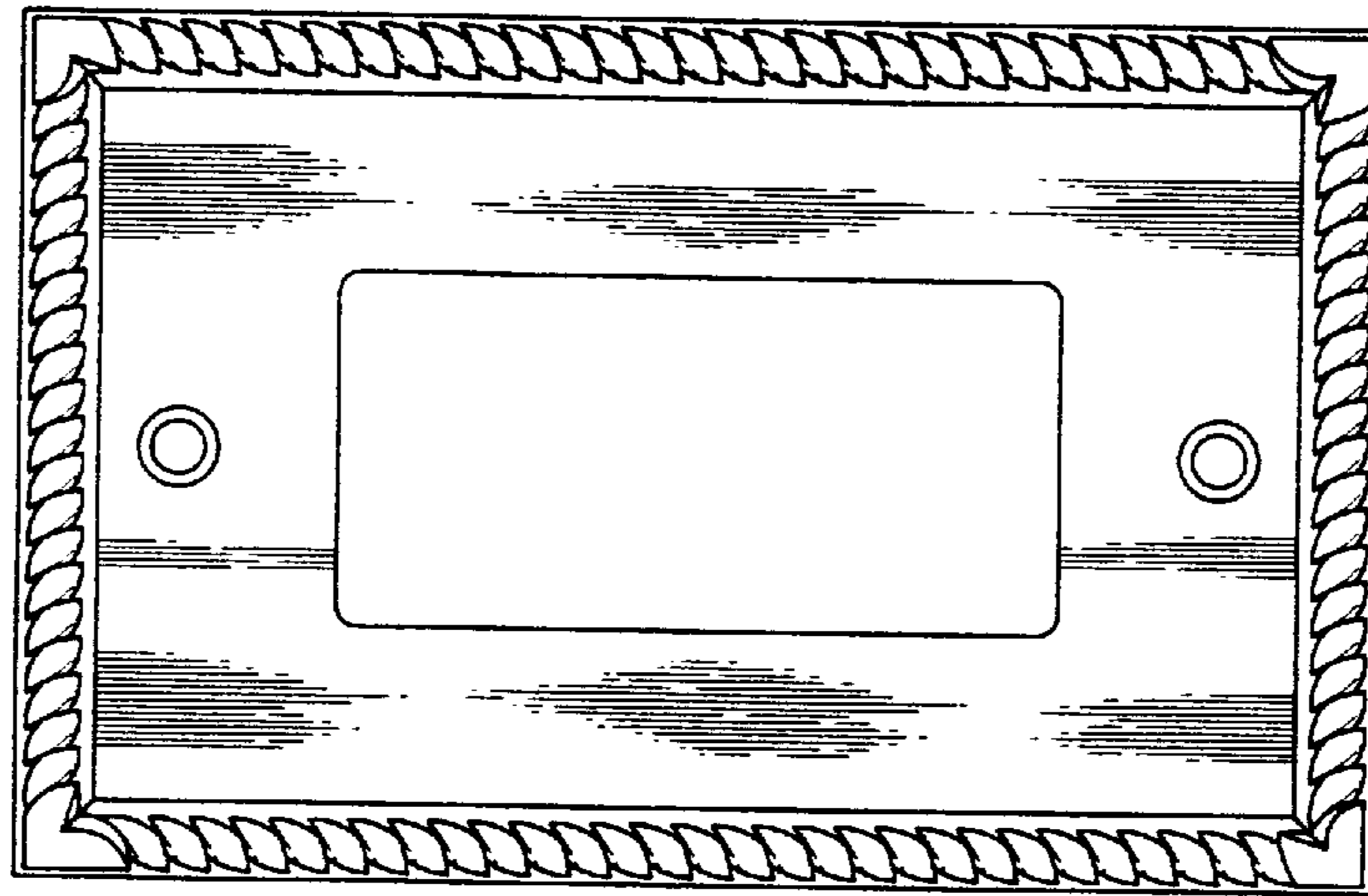


FIG. 2

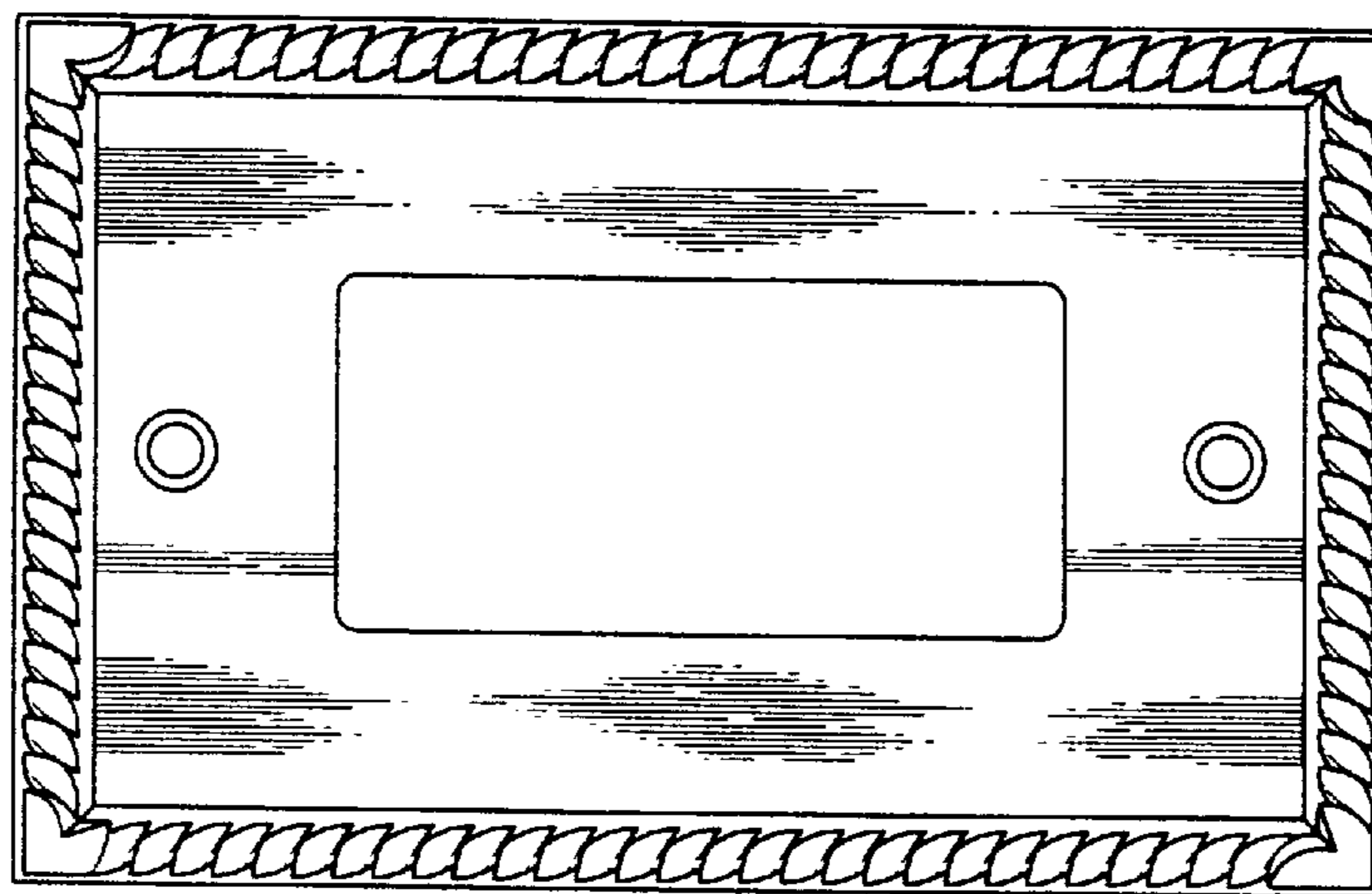


FIG. 3



FIG. 4



FIG. 5



FIG. 6



FIG. 7



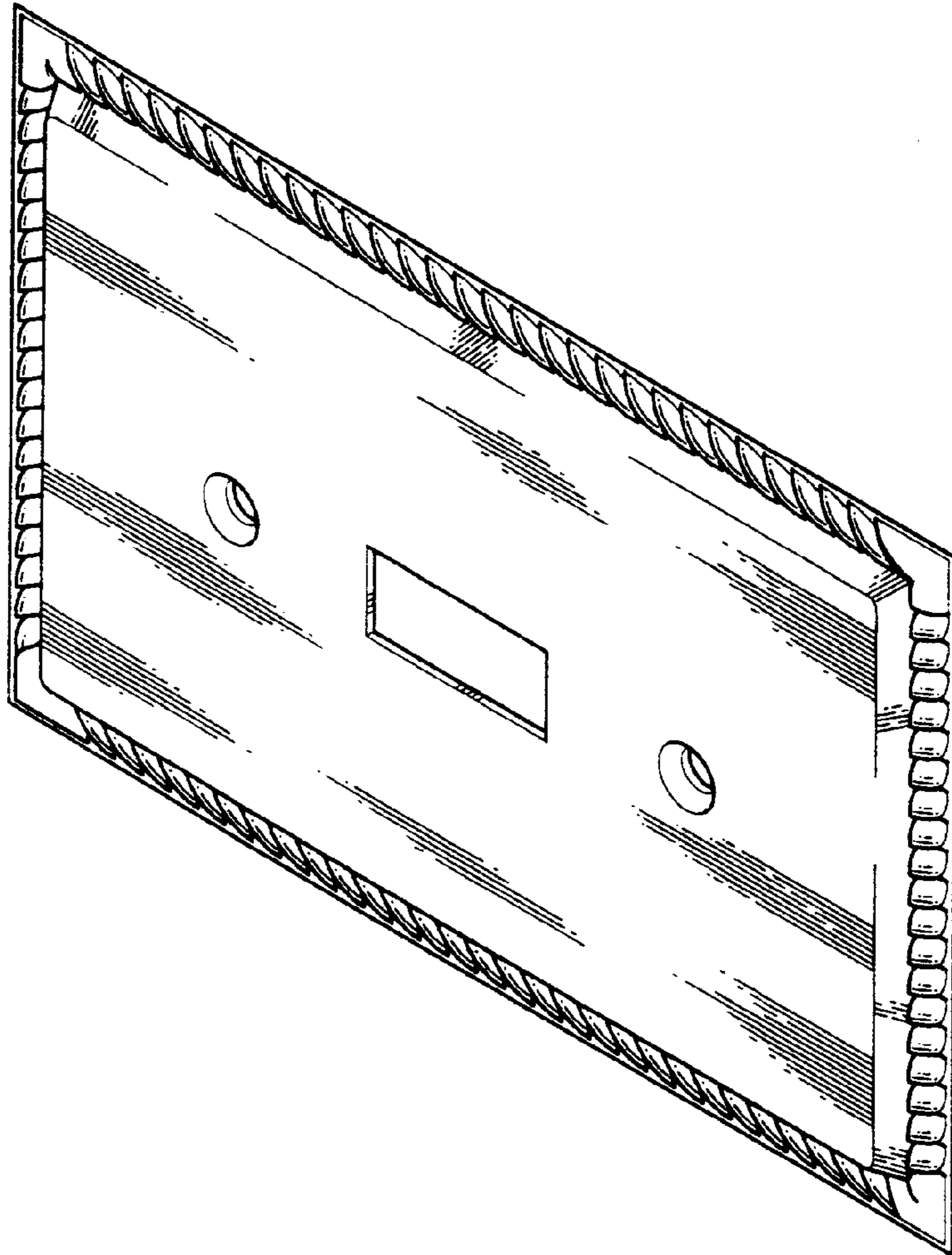


FIG. 8

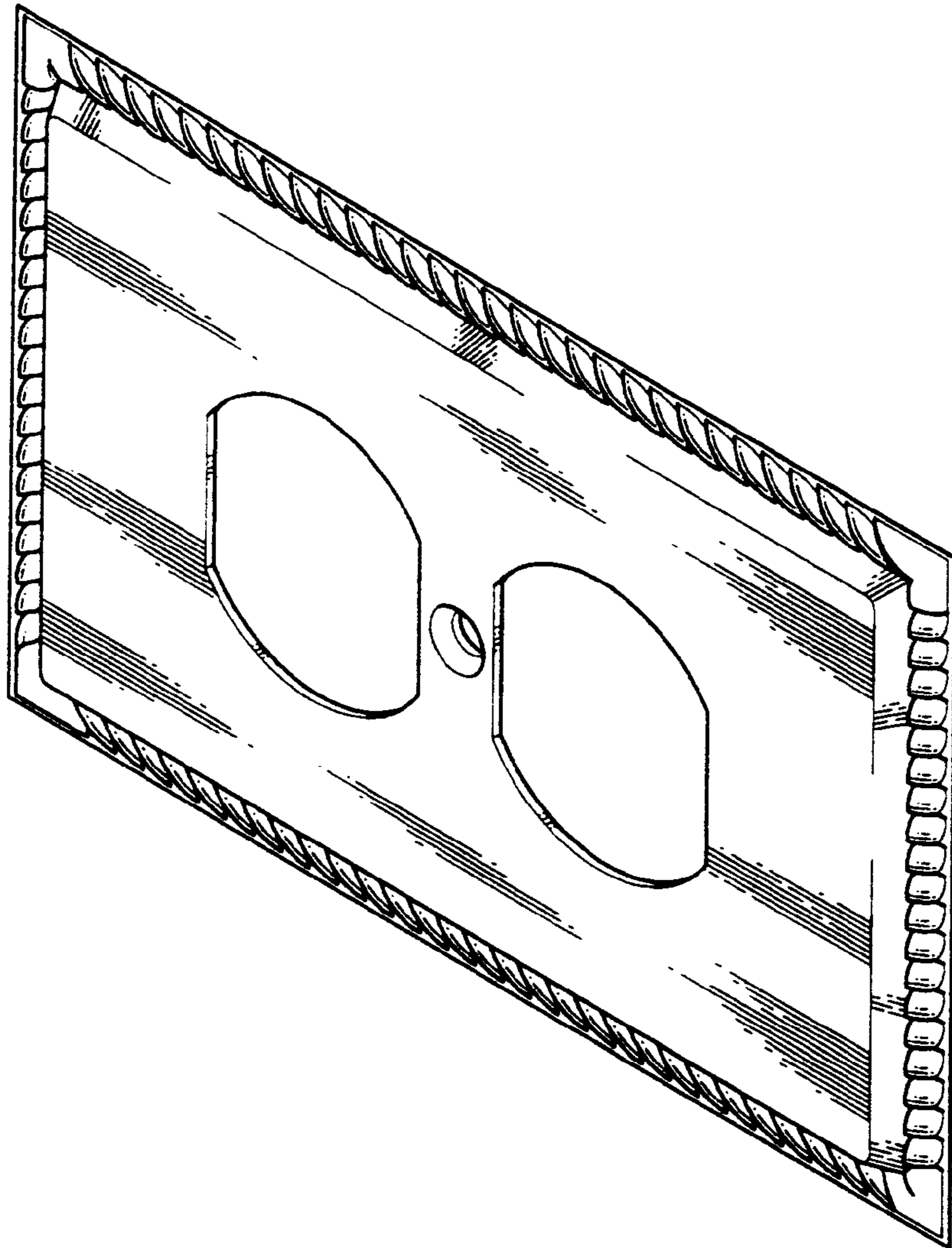


FIG. 9

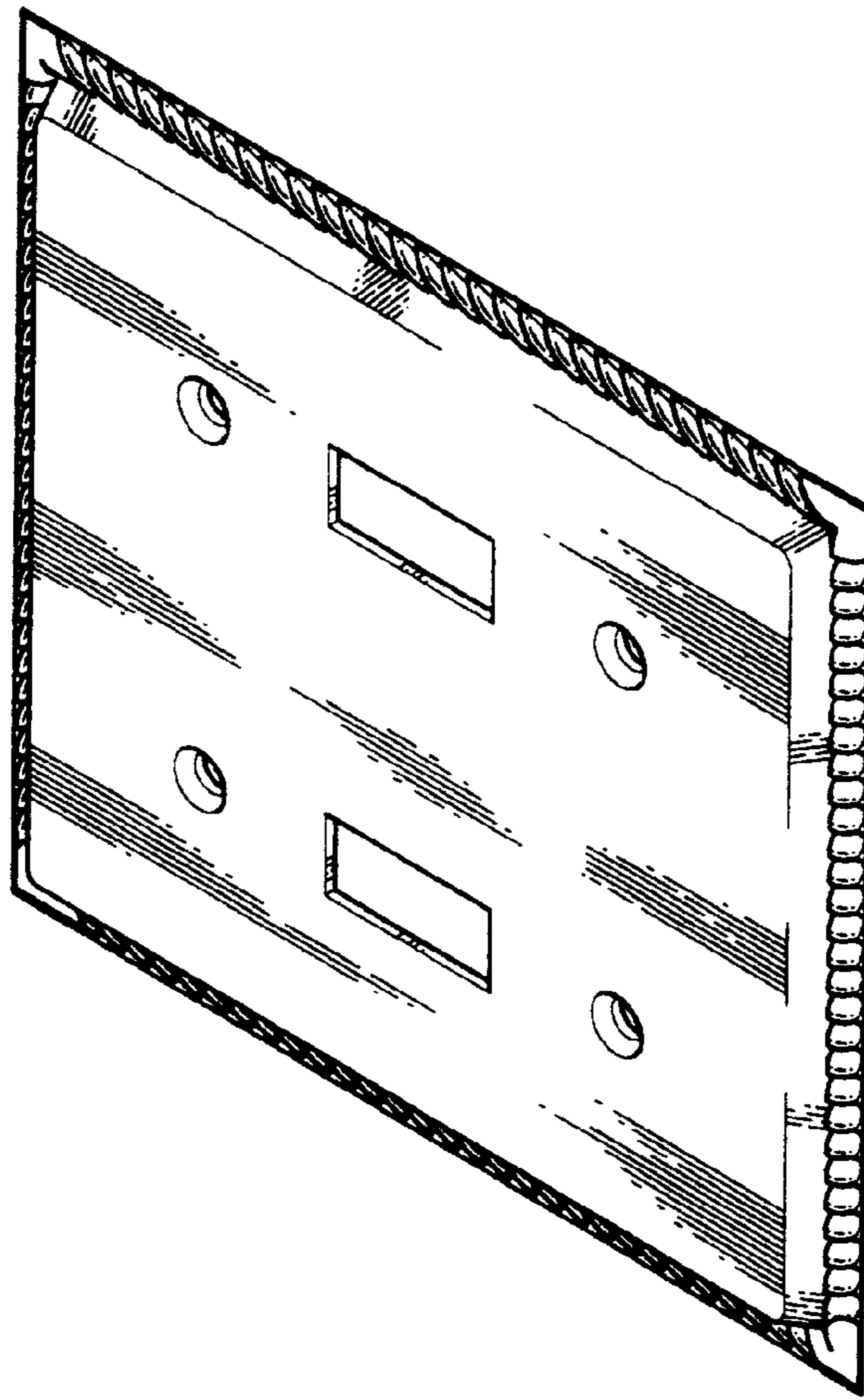


FIG. 10