



US00D465143S

(12) **United States Design Patent**  
**Becker**

(10) **Patent No.:** **US D465,143 S**

(45) **Date of Patent:** **\*\* Nov. 5, 2002**

(54) **ROTARY CONTROL KNOB WITH FLIP-UP SECTION**

(75) **Inventor:** **Theodore A. Becker**, Cleveland, TN (US)

(73) **Assignee:** **Maytag Corporation**, Newton, IA (US)

(\*\*) **Term:** **14 Years**

(21) **Appl. No.:** **29/149,931**

(22) **Filed:** **Oct. 23, 2001**

(51) **LOC (7) Cl.** ..... **08-06**

(52) **U.S. Cl.** ..... **D8/306; D8/307**

(58) **Field of Search** ..... D8/300, 305-307, D8/310, 311; D23/250; D7/393; D3/12, 14-16; D21/386, 390, 484, 488, 480, 503; 273/294, 289, 156, 157; 219/506; 200/336; 403/375, 381; 74/553, 555, 557; 446/124

(56) **References Cited**

**U.S. PATENT DOCUMENTS**

D132,433	S	*	5/1942	Pellegrin	.....	D8/311
2,798,404	A		7/1957	Schaefer et al.		
D182,752	S	*	5/1958	Young	.....	D23/250
3,066,550	A		12/1962	Sundberg		
3,783,708	A	*	1/1974	Witkowski	.....	74/553
4,018,465	A		4/1977	Ramler		
4,219,232	A		8/1980	Kouth		
4,616,524	A	*	10/1986	Bidoia	.....	16/441
D297,760	S	*	9/1988	Paul	.....	D8/307
D325,865	S	*	5/1992	Del Corno	.....	D8/306
5,128,503	A		7/1992	Frantz		
5,585,578	A		12/1996	Shimotori		
6,035,492	A		3/2000	Warshaviak		
6,281,453	B1	*	8/2001	Uleski	.....	200/336

\* cited by examiner

*Primary Examiner*—B. J. Bullock

(74) *Attorney, Agent, or Firm*—Diederiks & Whitelaw, PLC

(57) **CLAIM**

The ornamental design for a rotary control knob with flip-up section, as shown and described.

**DESCRIPTION**

FIG. 1 is a top right perspective view of my rotary control knob, shown on an exemplary cooktop of a cooking appliance;

FIG. 2 is an enlarged top right perspective view of the rotary control knob of my design, with a section of the control knob shown in a retracted condition;

FIG. 3 is a top right perspective view of the rotary control knob of FIG. 2, with the section of the control knob shown in an extended condition;

FIG. 4 is a front elevational view of the rotary control knob in its retracted condition;

FIG. 5 is a top plan view of the rotary control knob of FIG. 2;

FIG. 6 is a right elevational view of the rotary control knob in the retracted condition of FIG. 2, with the left elevational view being a mirror image;

FIG. 7 is a rear elevational view of the rotary control knob in the retracted condition of FIG. 2;

FIG. 8 is a bottom plan view of the rotary control knob in the retracted condition of FIG. 2;

FIG. 9 is a front elevational view of the rotary control knob, with the section of the control knob shown in its extended condition;

FIG. 10 is a top plan view of the rotary control knob of FIG. 3;

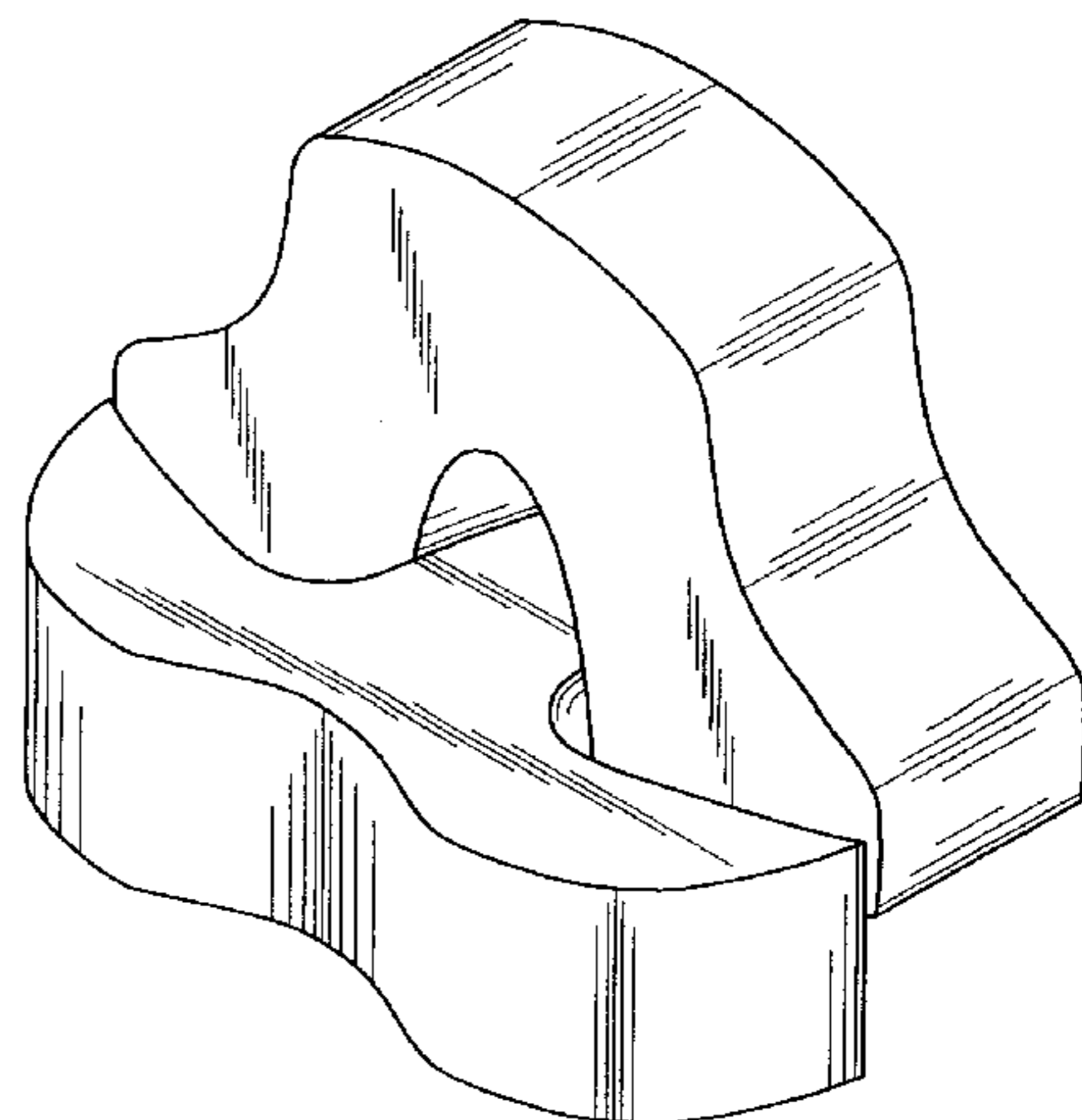
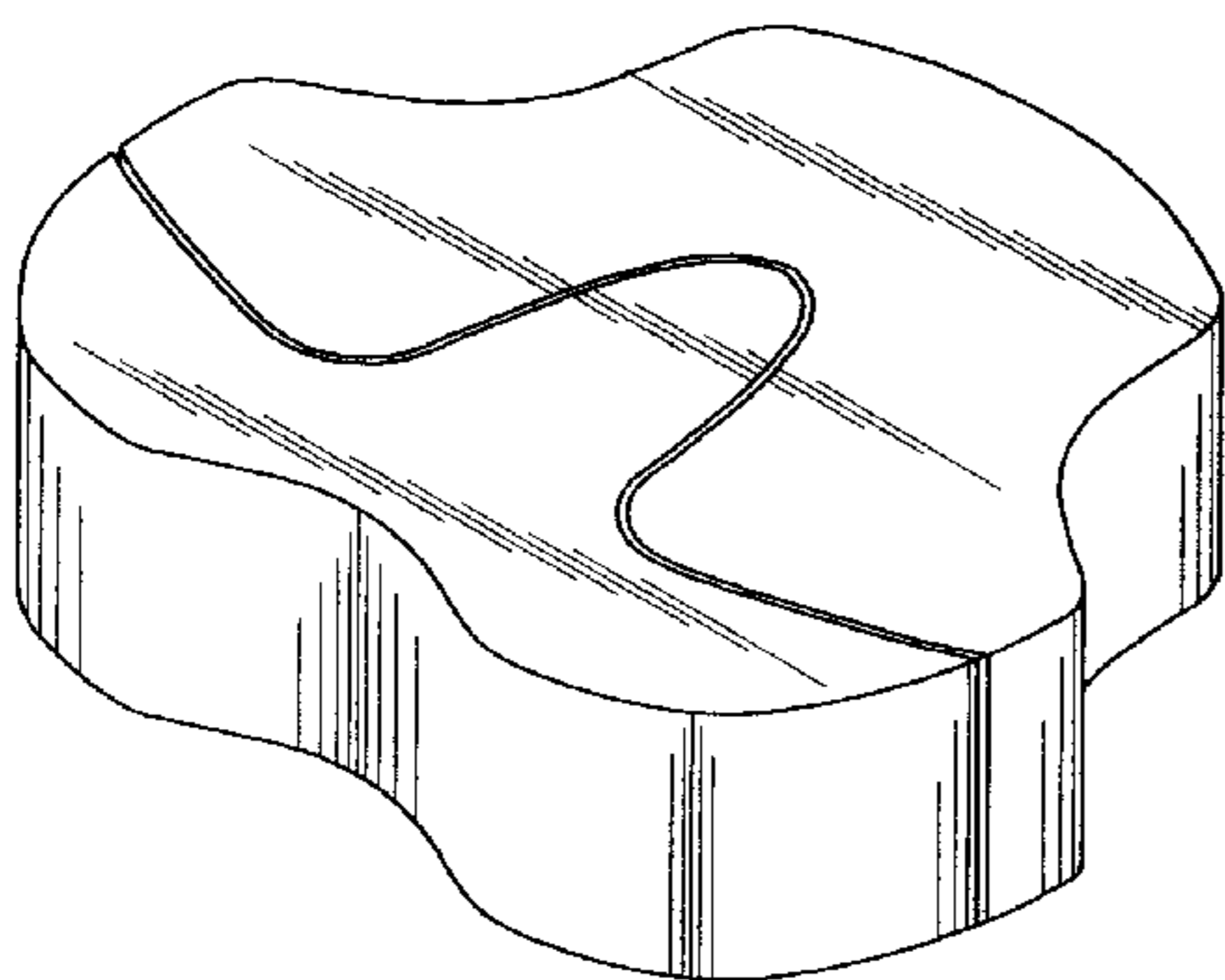
FIG. 11 is a right elevational view of the rotary control knob in the extended condition of FIG. 3, with the left elevational view being a mirror image;

FIG. 12 is a rear elevational view of the rotary control knob in the extended condition of FIG. 3; and,

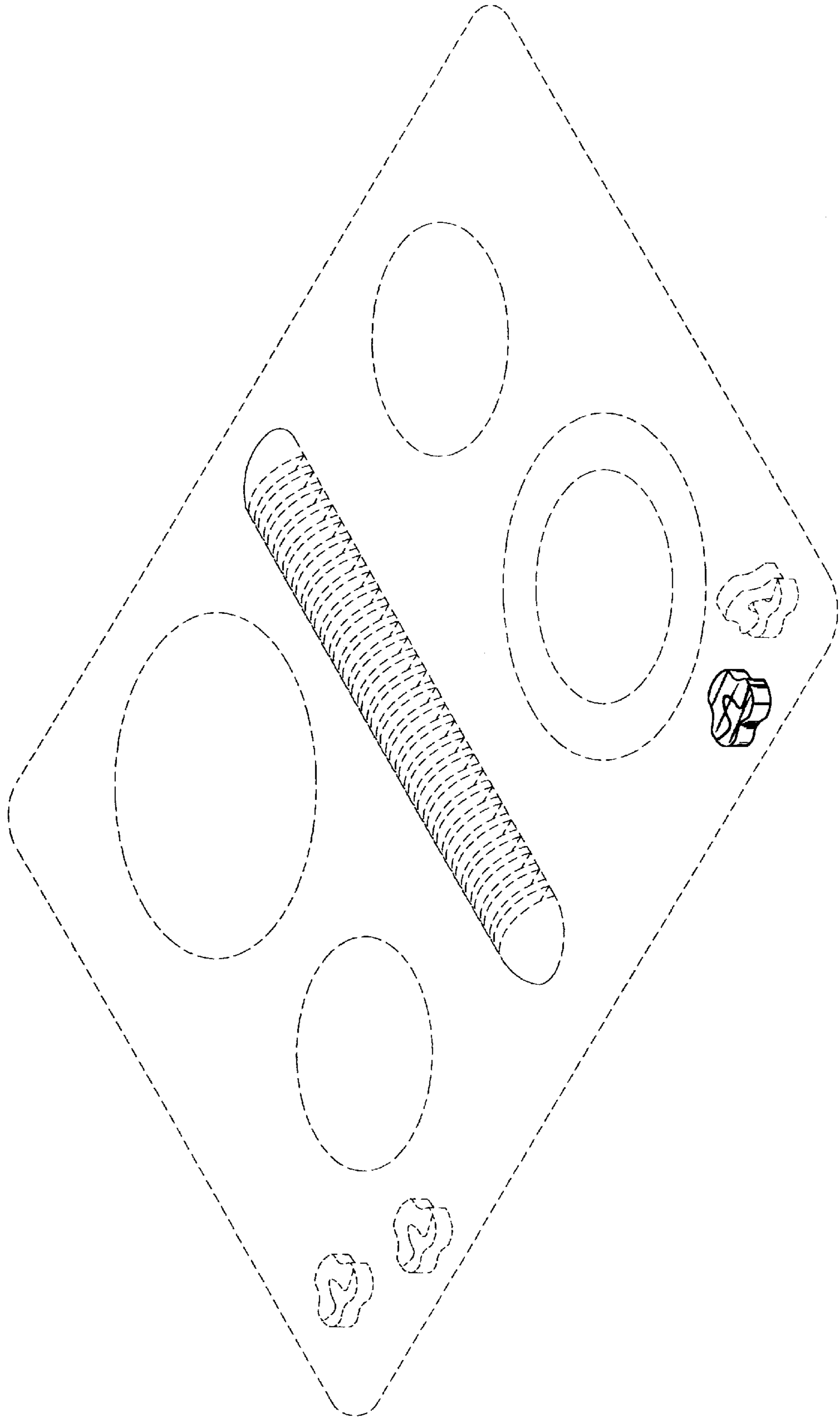
FIG. 13 is a bottom view of the rotary control knob in the extended condition of FIG. 3.

The broken lines showing the cooktop in FIG. 1 and the mounting hole in each of FIGS. 8 and 13 are for illustrative purposes only and form no part of the claimed invention.

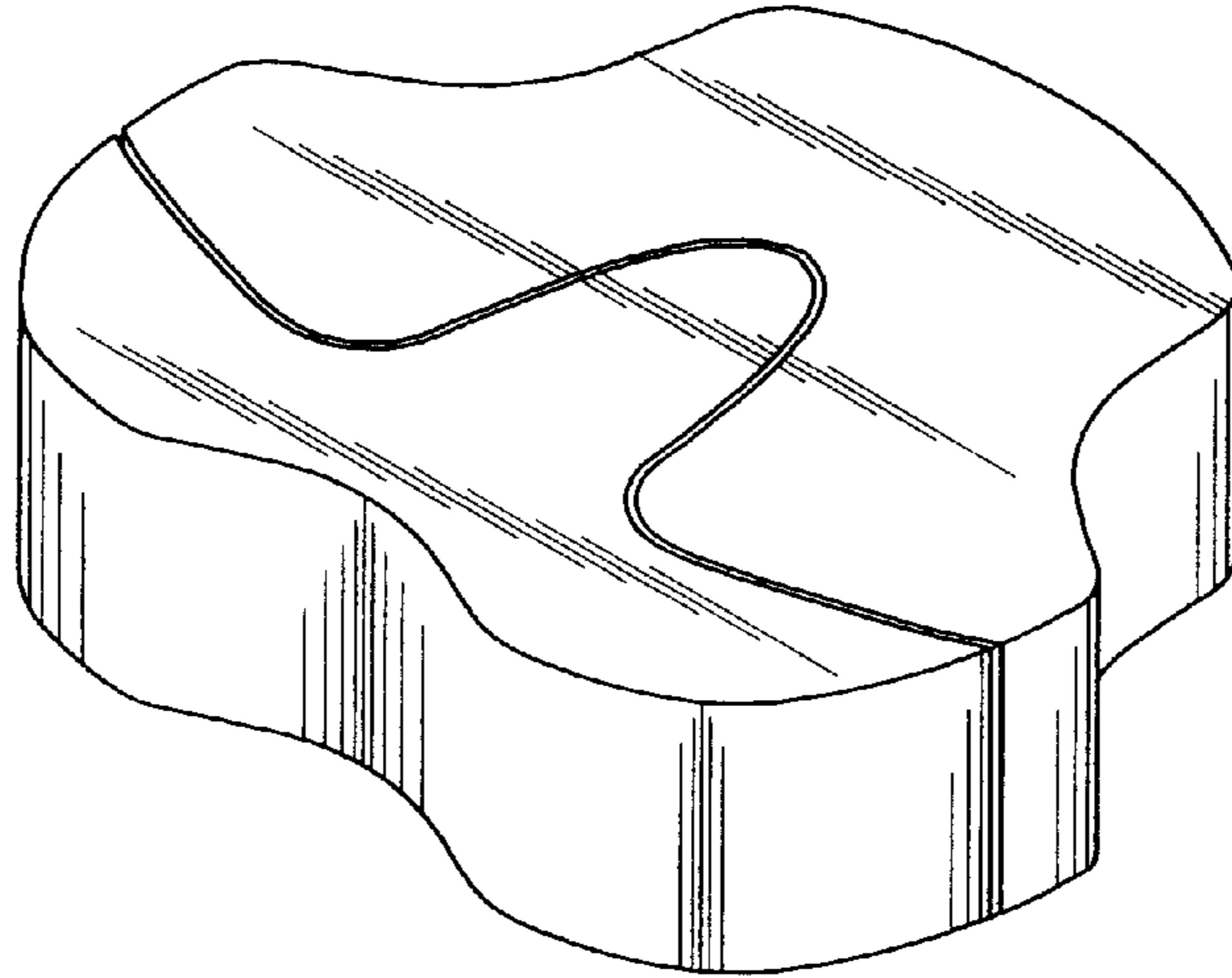
**1 Claim, 4 Drawing Sheets**



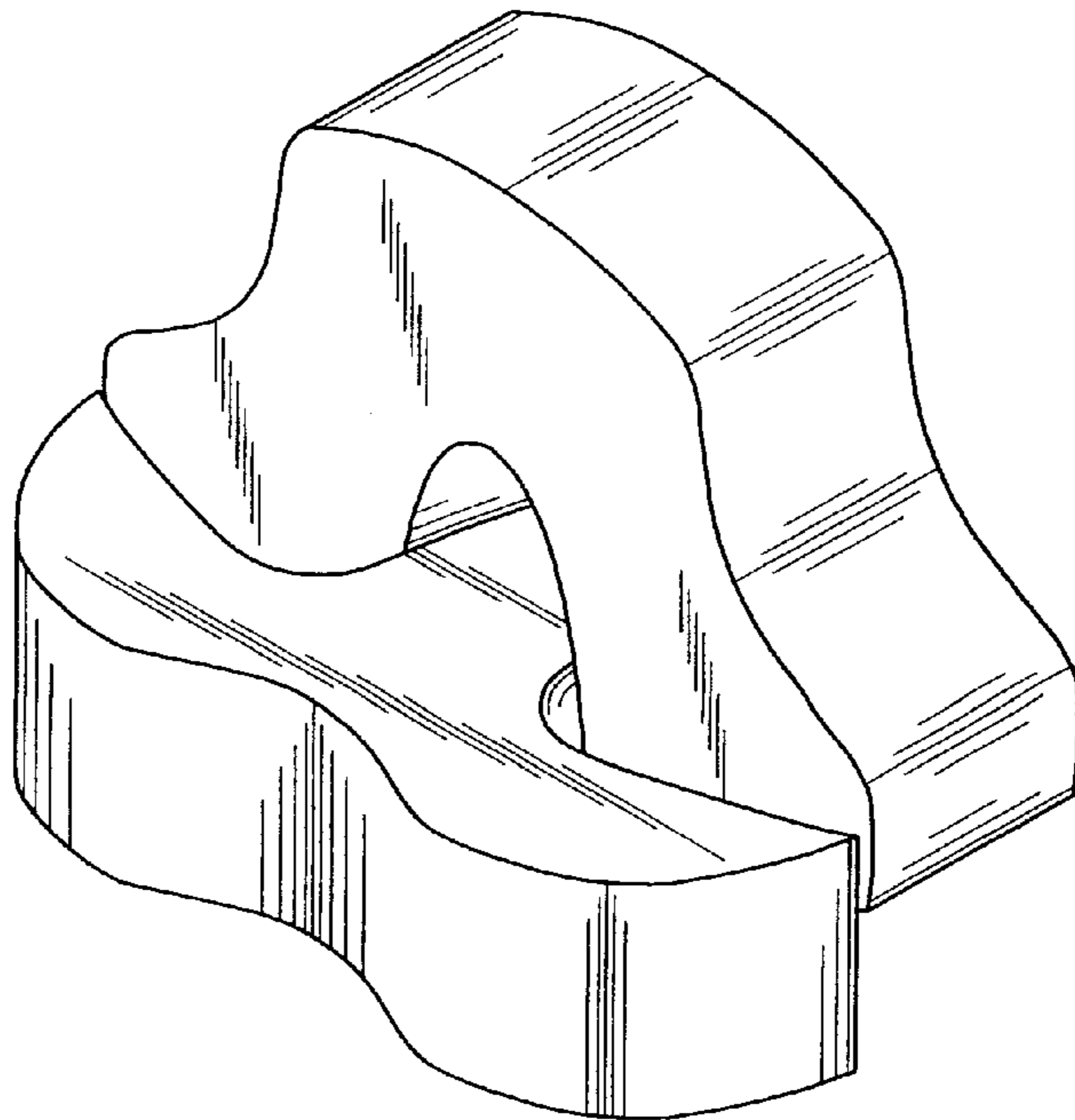
**FIG. 1**



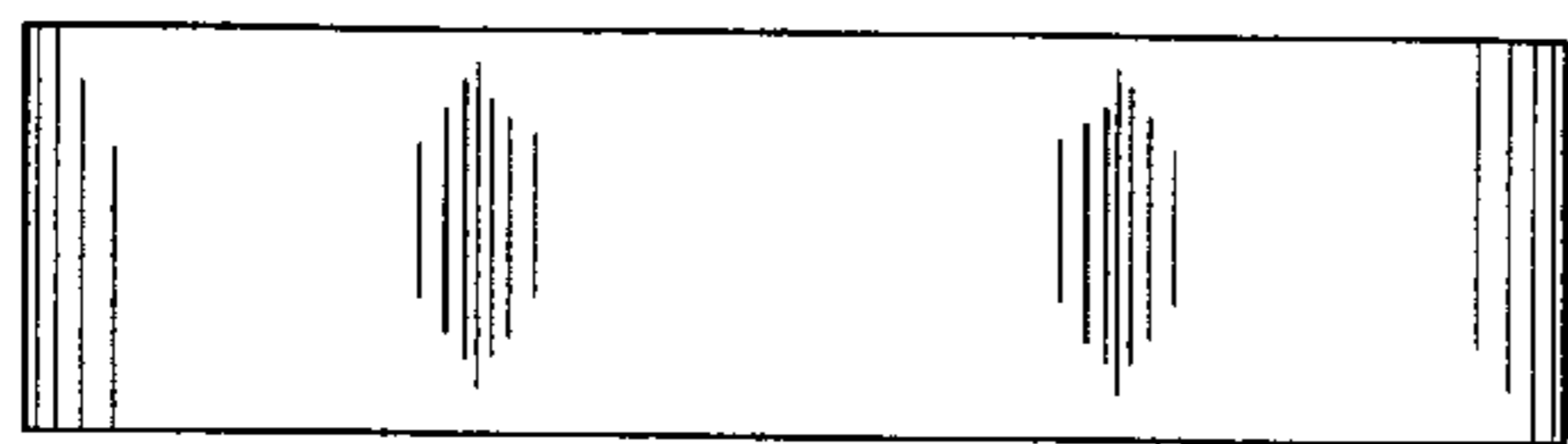
*FIG. 2*



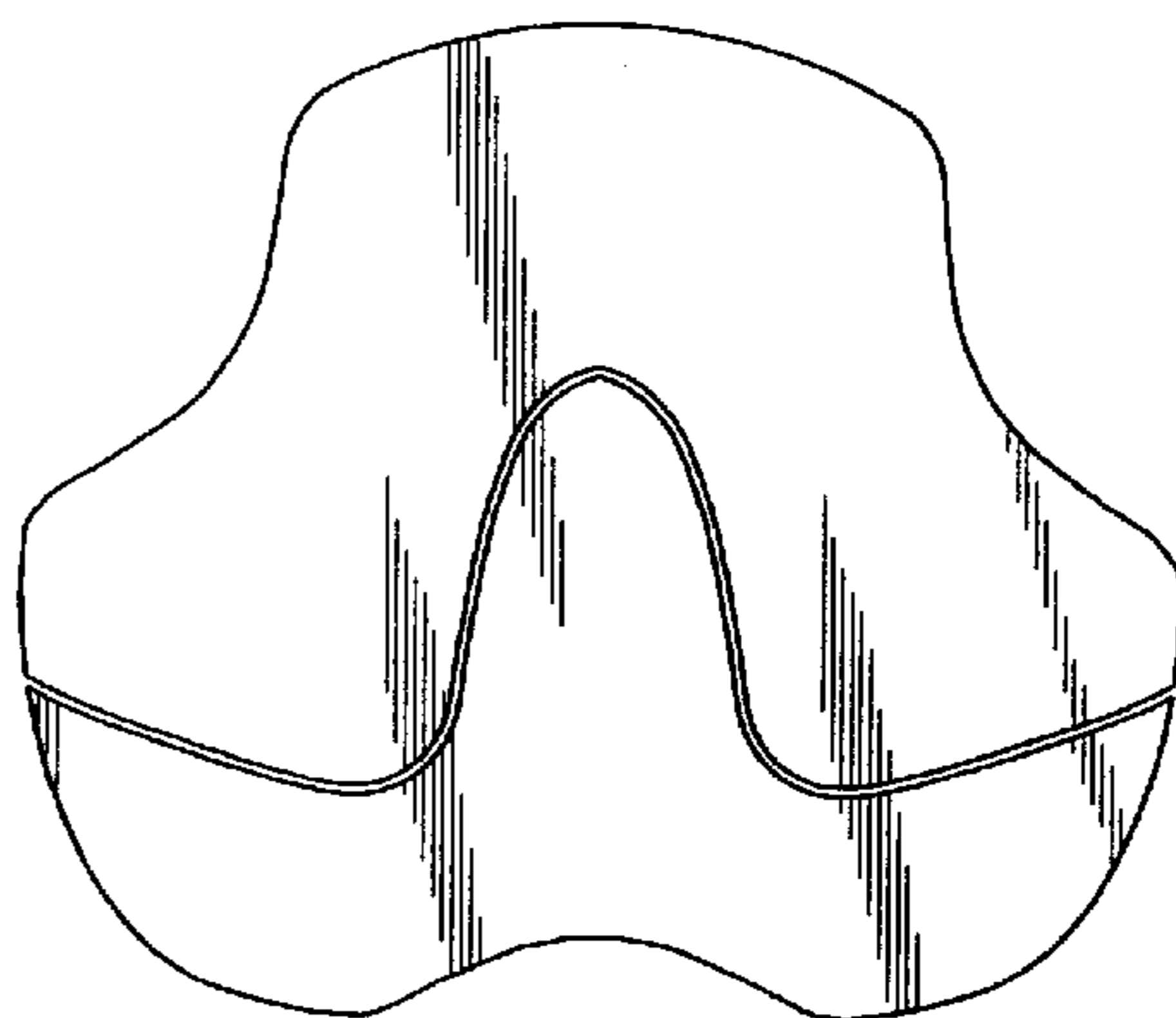
*FIG. 3*



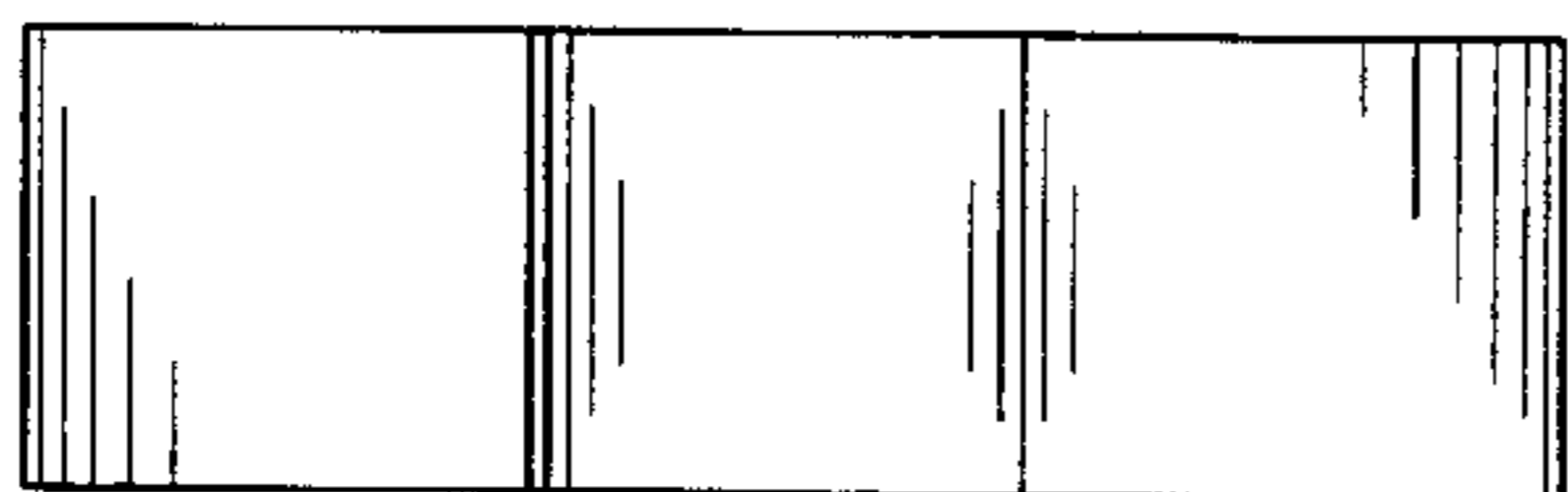
*FIG. 4*



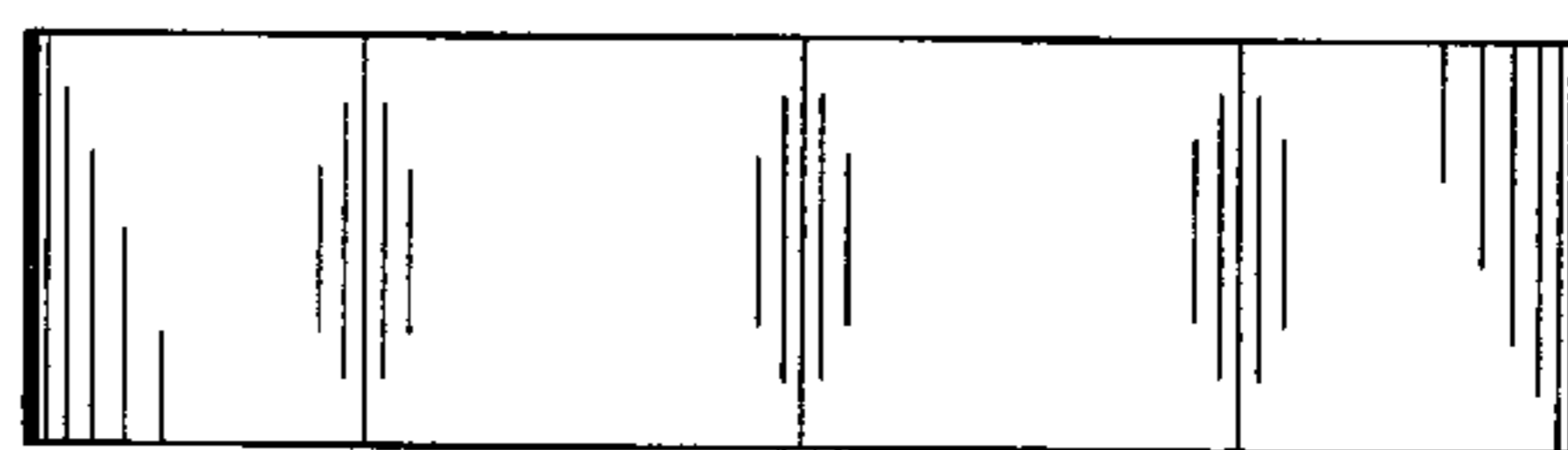
*FIG. 5*



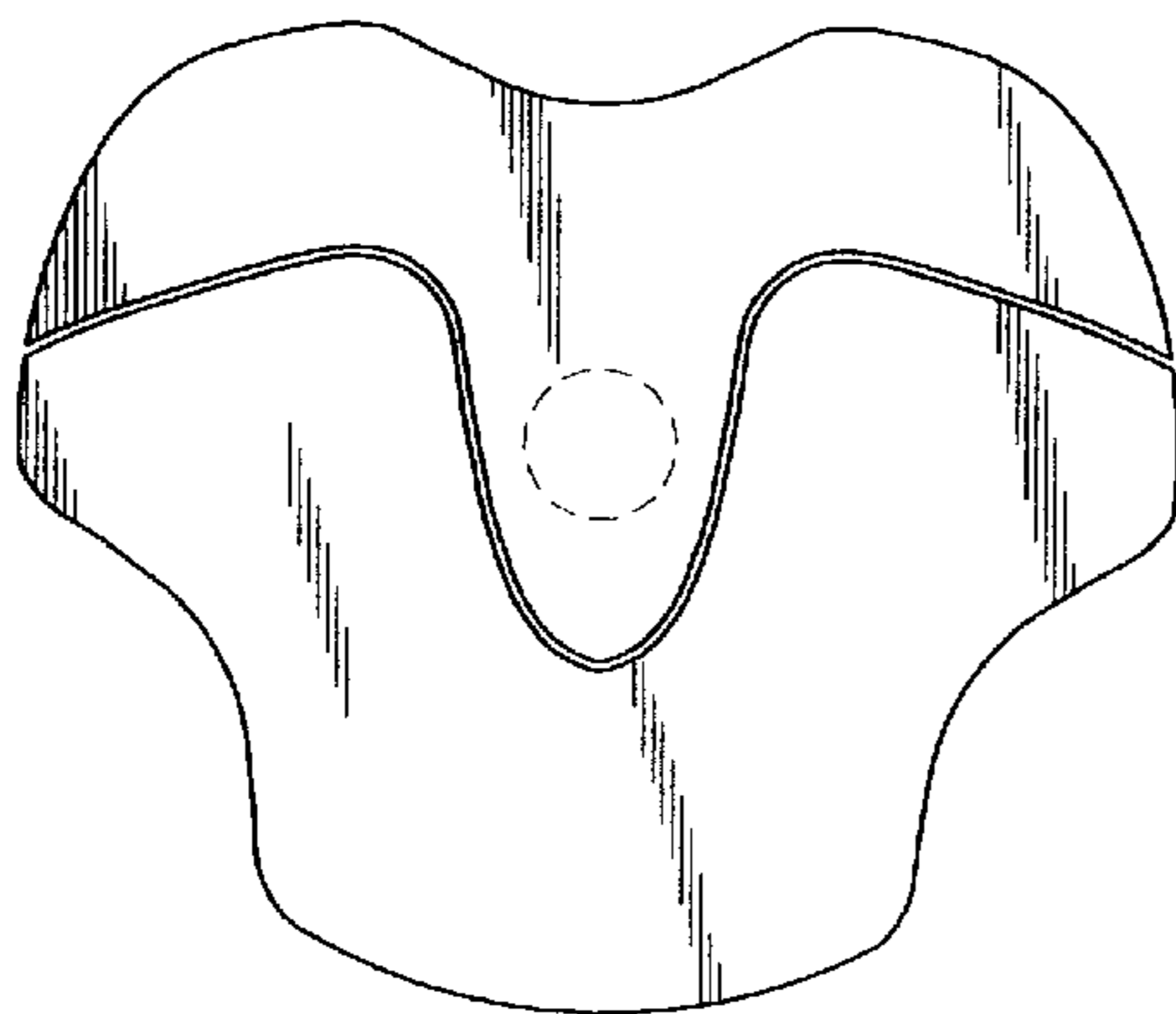
*FIG. 6*



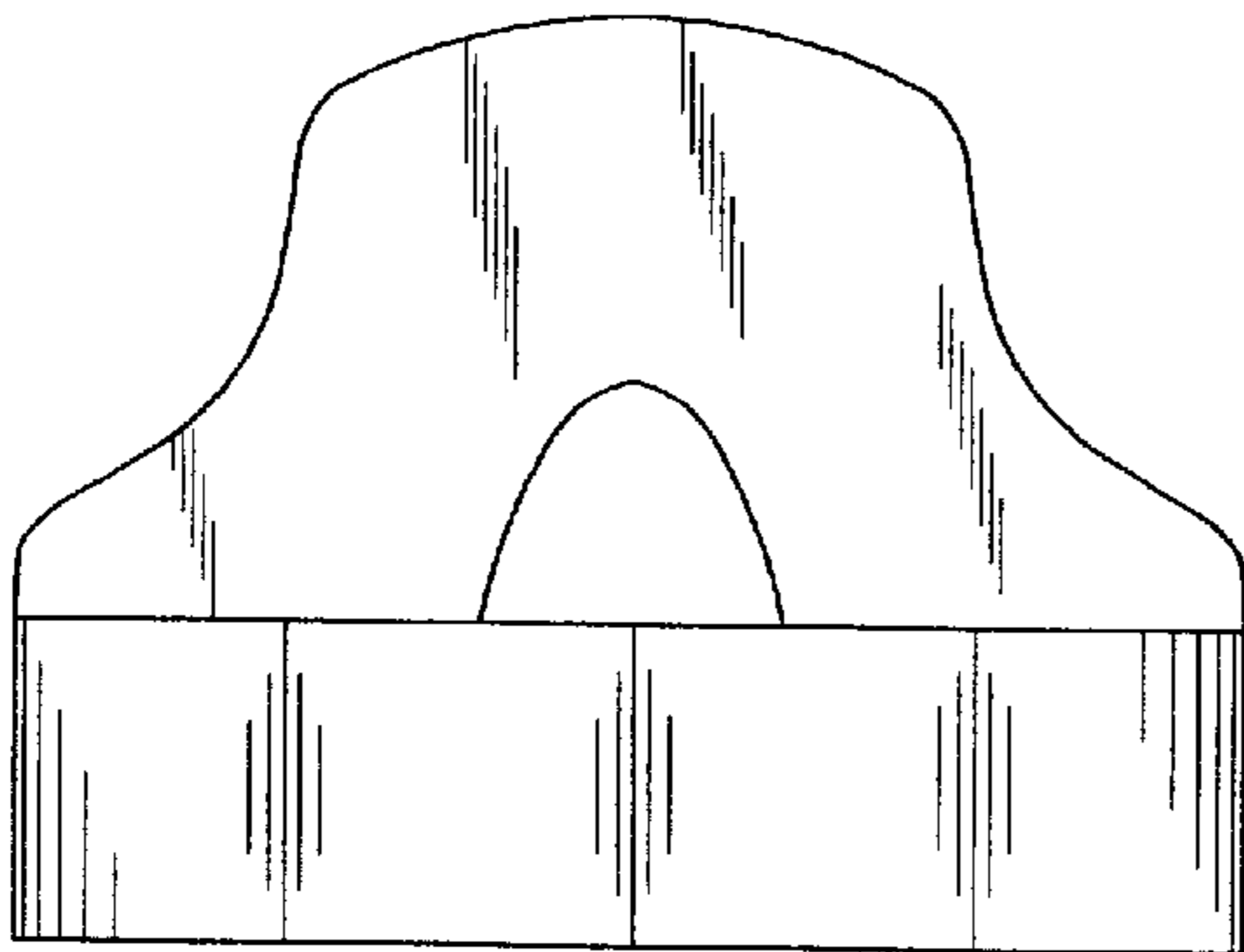
*FIG. 7*



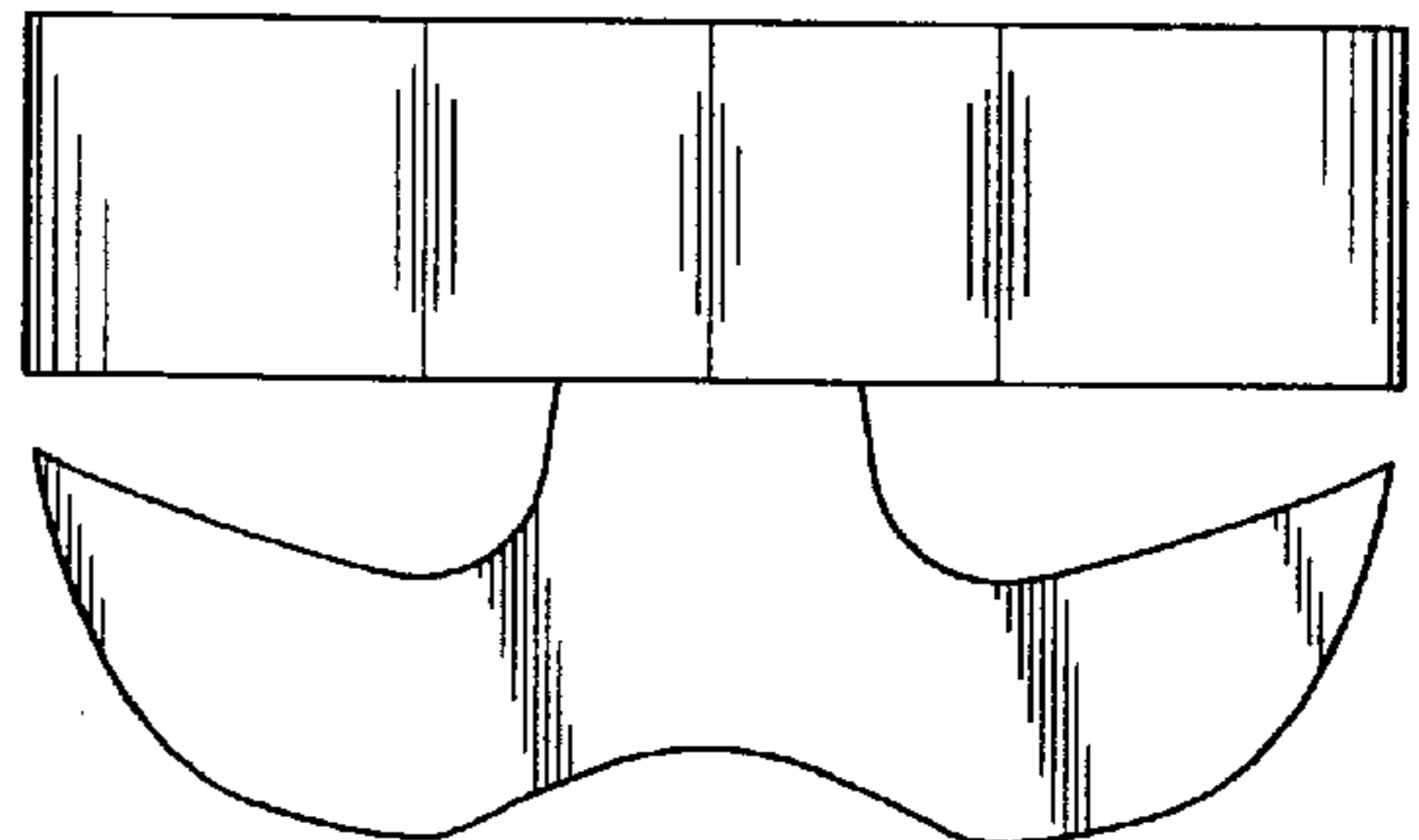
*FIG. 8*



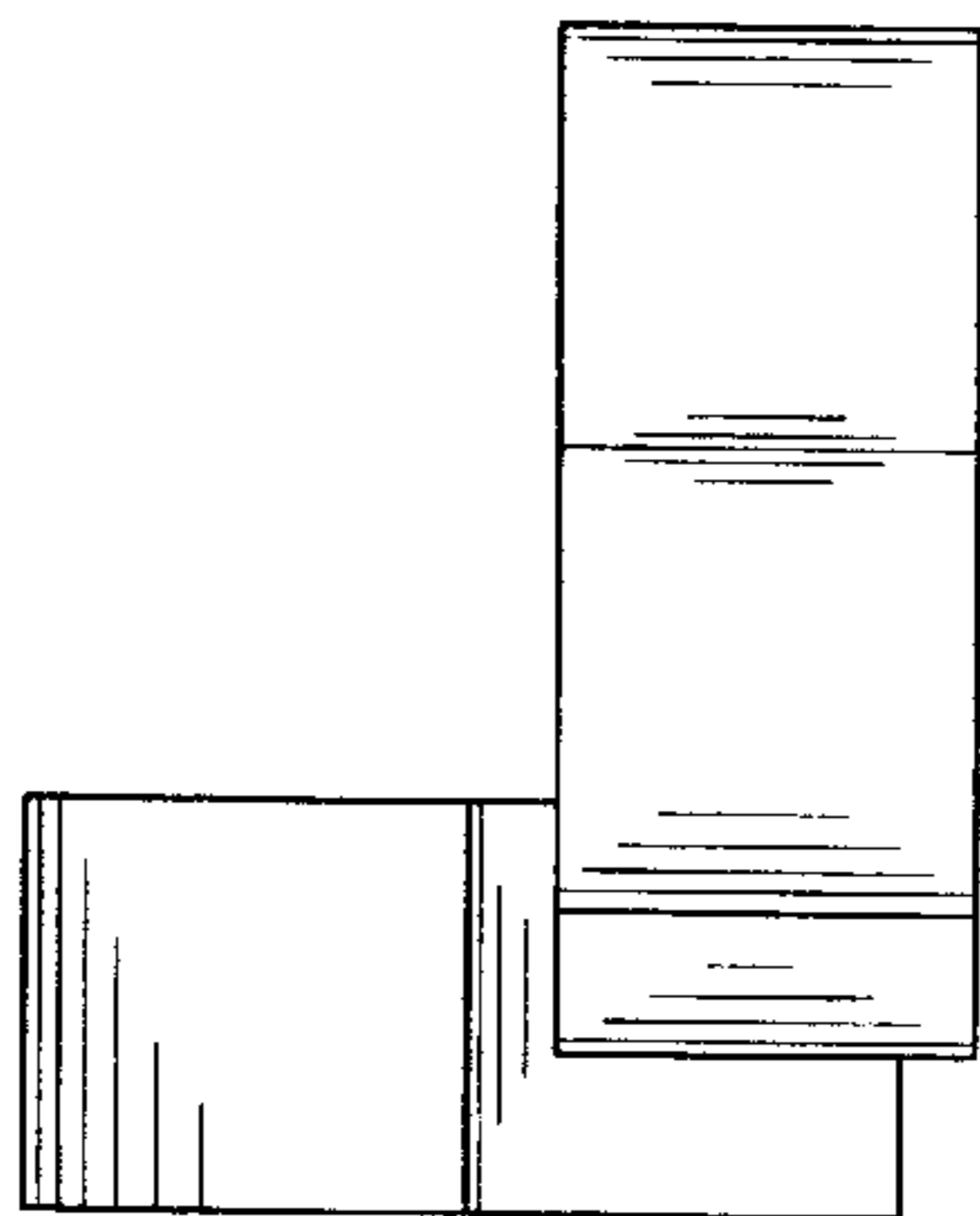
*FIG. 9*



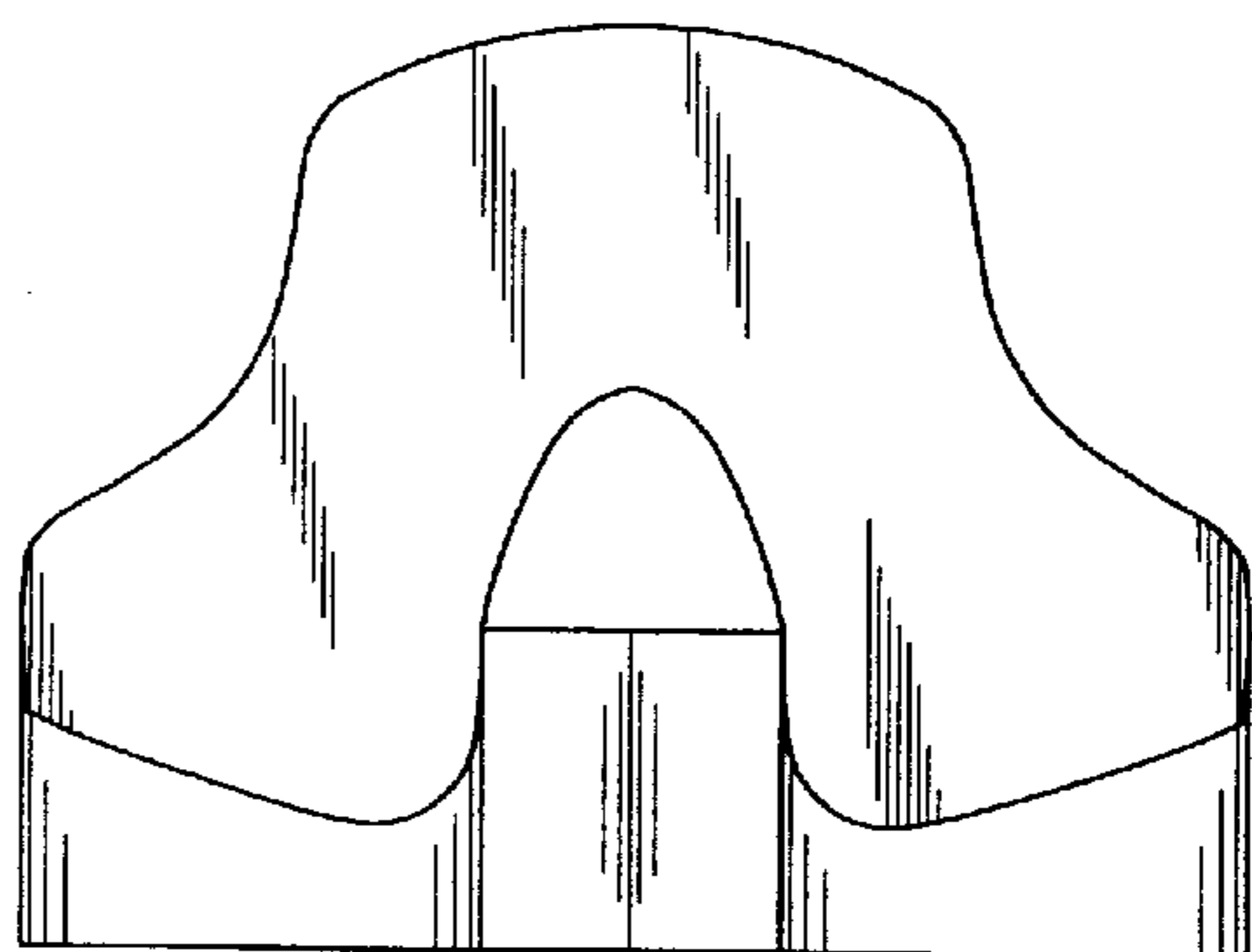
*FIG. 10*



*FIG. 11*



*FIG. 12*



*FIG. 13*

